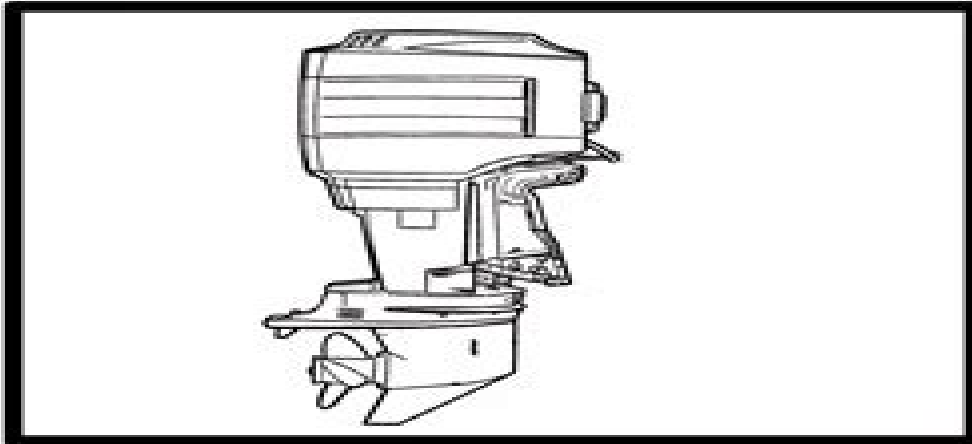




GENERAL INFORMATION AND SPECIFICATIONS

1



Mariner 90 Hp 6 Cylinder Service Manual

Y Pai



Mariner 90 Hp 6 Cylinder Service Manual:

Outboard Motor Service Manual Intertec Publishing,1987 Detailed tips on periodic servicing troubleshooting general maintenance and repair are explicitly outlined in this manual Repair is easy with the specifications and step by step repair procedures included for hundreds of models Volume II covers models with 30hp and above **Subject Guide to Books in Print** ,1991 **Bibliography of Nautical Books** Alan Obin,2000-02 This is the 15th annual edition of the Bibliography of Nautical Books a reference guide to over 14 000 nautical publications It deals specifically with the year 2000 Sea for the Active Boatman ,1980-07 **Atlantic Fisherman** ,1989 **Diver** ,1991 **Flying Magazine** ,2002-08 *Lakeland Boating* ,1989 Flying Magazine ,2002-08 **The Rudder** ,1961 **Aero Digest** ,1931 Industrial Aviation ,1945 **Yachting** ,1942 **Rivers and Harbors** ,1928 The Motor Ship ,1951 *Refrigeration Abstracts* ,1955 **Flying Magazine** ,1944-10 The Waterways Journal ,2008 **The British Motor Ship** ,1950 **Industrial Engine Service Manual** Ford Motor Company. Parts Division,1957*

The Enigmatic Realm of **Mariner 90 Hp 6 Cylinder Service Manual**: Unleashing the Language is Inner Magic

In a fast-paced digital era where connections and knowledge intertwine, the enigmatic realm of language reveals its inherent magic. Its capacity to stir emotions, ignite contemplation, and catalyze profound transformations is nothing short of extraordinary. Within the captivating pages of **Mariner 90 Hp 6 Cylinder Service Manual** a literary masterpiece penned by a renowned author, readers set about a transformative journey, unlocking the secrets and untapped potential embedded within each word. In this evaluation, we shall explore the book's core themes, assess its distinct writing style, and delve into its lasting impact on the hearts and minds of those who partake in its reading experience.

<https://splashdogs.com/book/browse/index.jsp/how%20to%20pair%20sony%20ps3%20bluetooth%20headset.pdf>

Table of Contents Mariner 90 Hp 6 Cylinder Service Manual

1. Understanding the eBook Mariner 90 Hp 6 Cylinder Service Manual
 - The Rise of Digital Reading Mariner 90 Hp 6 Cylinder Service Manual
 - Advantages of eBooks Over Traditional Books
2. Identifying Mariner 90 Hp 6 Cylinder Service Manual
 - Exploring Different Genres
 - Considering Fiction vs. Non-Fiction
 - Determining Your Reading Goals
3. Choosing the Right eBook Platform
 - Popular eBook Platforms
 - Features to Look for in an Mariner 90 Hp 6 Cylinder Service Manual
 - User-Friendly Interface
4. Exploring eBook Recommendations from Mariner 90 Hp 6 Cylinder Service Manual
 - Personalized Recommendations
 - Mariner 90 Hp 6 Cylinder Service Manual User Reviews and Ratings
 - Mariner 90 Hp 6 Cylinder Service Manual and Bestseller Lists

5. Accessing Mariner 90 Hp 6 Cylinder Service Manual Free and Paid eBooks
 - Mariner 90 Hp 6 Cylinder Service Manual Public Domain eBooks
 - Mariner 90 Hp 6 Cylinder Service Manual eBook Subscription Services
 - Mariner 90 Hp 6 Cylinder Service Manual Budget-Friendly Options
6. Navigating Mariner 90 Hp 6 Cylinder Service Manual eBook Formats
 - ePub, PDF, MOBI, and More
 - Mariner 90 Hp 6 Cylinder Service Manual Compatibility with Devices
 - Mariner 90 Hp 6 Cylinder Service Manual Enhanced eBook Features
7. Enhancing Your Reading Experience
 - Adjustable Fonts and Text Sizes of Mariner 90 Hp 6 Cylinder Service Manual
 - Highlighting and Note-Taking Mariner 90 Hp 6 Cylinder Service Manual
 - Interactive Elements Mariner 90 Hp 6 Cylinder Service Manual
8. Staying Engaged with Mariner 90 Hp 6 Cylinder Service Manual
 - Joining Online Reading Communities
 - Participating in Virtual Book Clubs
 - Following Authors and Publishers Mariner 90 Hp 6 Cylinder Service Manual
9. Balancing eBooks and Physical Books Mariner 90 Hp 6 Cylinder Service Manual
 - Benefits of a Digital Library
 - Creating a Diverse Reading Collection Mariner 90 Hp 6 Cylinder Service Manual
10. Overcoming Reading Challenges
 - Dealing with Digital Eye Strain
 - Minimizing Distractions
 - Managing Screen Time
11. Cultivating a Reading Routine Mariner 90 Hp 6 Cylinder Service Manual
 - Setting Reading Goals Mariner 90 Hp 6 Cylinder Service Manual
 - Carving Out Dedicated Reading Time
12. Sourcing Reliable Information of Mariner 90 Hp 6 Cylinder Service Manual
 - Fact-Checking eBook Content of Mariner 90 Hp 6 Cylinder Service Manual
 - Distinguishing Credible Sources
13. Promoting Lifelong Learning

- Utilizing eBooks for Skill Development
- Exploring Educational eBooks

14. Embracing eBook Trends

- Integration of Multimedia Elements
- Interactive and Gamified eBooks

Mariner 90 Hp 6 Cylinder Service Manual Introduction

In today's digital age, the availability of Mariner 90 Hp 6 Cylinder Service Manual books and manuals for download has revolutionized the way we access information. Gone are the days of physically flipping through pages and carrying heavy textbooks or manuals. With just a few clicks, we can now access a wealth of knowledge from the comfort of our own homes or on the go. This article will explore the advantages of Mariner 90 Hp 6 Cylinder Service Manual books and manuals for download, along with some popular platforms that offer these resources. One of the significant advantages of Mariner 90 Hp 6 Cylinder Service Manual books and manuals for download is the cost-saving aspect. Traditional books and manuals can be costly, especially if you need to purchase several of them for educational or professional purposes. By accessing Mariner 90 Hp 6 Cylinder Service Manual versions, you eliminate the need to spend money on physical copies. This not only saves you money but also reduces the environmental impact associated with book production and transportation. Furthermore, Mariner 90 Hp 6 Cylinder Service Manual books and manuals for download are incredibly convenient. With just a computer or smartphone and an internet connection, you can access a vast library of resources on any subject imaginable. Whether you're a student looking for textbooks, a professional seeking industry-specific manuals, or someone interested in self-improvement, these digital resources provide an efficient and accessible means of acquiring knowledge. Moreover, PDF books and manuals offer a range of benefits compared to other digital formats. PDF files are designed to retain their formatting regardless of the device used to open them. This ensures that the content appears exactly as intended by the author, with no loss of formatting or missing graphics. Additionally, PDF files can be easily annotated, bookmarked, and searched for specific terms, making them highly practical for studying or referencing. When it comes to accessing Mariner 90 Hp 6 Cylinder Service Manual books and manuals, several platforms offer an extensive collection of resources. One such platform is Project Gutenberg, a nonprofit organization that provides over 60,000 free eBooks. These books are primarily in the public domain, meaning they can be freely distributed and downloaded. Project Gutenberg offers a wide range of classic literature, making it an excellent resource for literature enthusiasts. Another popular platform for Mariner 90 Hp 6 Cylinder Service Manual books and manuals is Open Library. Open Library is an initiative of the Internet Archive, a non-profit organization dedicated to digitizing cultural artifacts and making them accessible to the public. Open Library hosts millions of books, including both

public domain works and contemporary titles. It also allows users to borrow digital copies of certain books for a limited period, similar to a library lending system. Additionally, many universities and educational institutions have their own digital libraries that provide free access to PDF books and manuals. These libraries often offer academic texts, research papers, and technical manuals, making them invaluable resources for students and researchers. Some notable examples include MIT OpenCourseWare, which offers free access to course materials from the Massachusetts Institute of Technology, and the Digital Public Library of America, which provides a vast collection of digitized books and historical documents. In conclusion, Mariner 90 Hp 6 Cylinder Service Manual books and manuals for download have transformed the way we access information. They provide a cost-effective and convenient means of acquiring knowledge, offering the ability to access a vast library of resources at our fingertips. With platforms like Project Gutenberg, Open Library, and various digital libraries offered by educational institutions, we have access to an ever-expanding collection of books and manuals. Whether for educational, professional, or personal purposes, these digital resources serve as valuable tools for continuous learning and self-improvement. So why not take advantage of the vast world of Mariner 90 Hp 6 Cylinder Service Manual books and manuals for download and embark on your journey of knowledge?

FAQs About Mariner 90 Hp 6 Cylinder Service Manual Books

What is a Mariner 90 Hp 6 Cylinder Service Manual PDF? A PDF (Portable Document Format) is a file format developed by Adobe that preserves the layout and formatting of a document, regardless of the software, hardware, or operating system used to view or print it. **How do I create a Mariner 90 Hp 6 Cylinder Service Manual PDF?** There are several ways to create a PDF: Use software like Adobe Acrobat, Microsoft Word, or Google Docs, which often have built-in PDF creation tools. Print to PDF: Many applications and operating systems have a "Print to PDF" option that allows you to save a document as a PDF file instead of printing it on paper. Online converters: There are various online tools that can convert different file types to PDF. **How do I edit a Mariner 90 Hp 6 Cylinder Service Manual PDF?** Editing a PDF can be done with software like Adobe Acrobat, which allows direct editing of text, images, and other elements within the PDF. Some free tools, like PDFescape or Smallpdf, also offer basic editing capabilities. **How do I convert a Mariner 90 Hp 6 Cylinder Service Manual PDF to another file format?** There are multiple ways to convert a PDF to another format: Use online converters like Smallpdf, Zamzar, or Adobe Acrobat's export feature to convert PDFs to formats like Word, Excel, JPEG, etc. Software like Adobe Acrobat, Microsoft Word, or other PDF editors may have options to export or save PDFs in different formats. **How do I password-protect a Mariner 90 Hp 6 Cylinder Service Manual PDF?** Most PDF editing software allows you to add password protection. In Adobe Acrobat, for instance, you can go to "File" -> "Properties" -> "Security" to set a password to

restrict access or editing capabilities. Are there any free alternatives to Adobe Acrobat for working with PDFs? Yes, there are many free alternatives for working with PDFs, such as: LibreOffice: Offers PDF editing features. PDFsam: Allows splitting, merging, and editing PDFs. Foxit Reader: Provides basic PDF viewing and editing capabilities. How do I compress a PDF file? You can use online tools like Smallpdf, ILovePDF, or desktop software like Adobe Acrobat to compress PDF files without significant quality loss. Compression reduces the file size, making it easier to share and download. Can I fill out forms in a PDF file? Yes, most PDF viewers/editors like Adobe Acrobat, Preview (on Mac), or various online tools allow you to fill out forms in PDF files by selecting text fields and entering information. Are there any restrictions when working with PDFs? Some PDFs might have restrictions set by their creator, such as password protection, editing restrictions, or print restrictions. Breaking these restrictions might require specific software or tools, which may or may not be legal depending on the circumstances and local laws.

Find Mariner 90 Hp 6 Cylinder Service Manual :

how to pair sony ps3 bluetooth headset

how to remove a colt combat commander front sight

how to replace headlights switch on 2e corolla

how to reference an annual report

how to pay service tax manually

how to repair 20lincoln aviator rear end

how to hard reset samsung galaxy s3 mini

how to make origami desert eagle diagram

how to hook up ipod to car stereo

how to report harassment

~~how to repair word 2003~~

how to install a car alarm yourself

how to prepare for an interview with hr manager

how to reset a motorola phone

how to make manual metal roller

Mariner 90 Hp 6 Cylinder Service Manual :

[or orwell writing and democratic socialism](#) - Sep 20 2023

web full text alex woloch s or orwell writing and democratic socialism is a sophisticated painstaking scholarly book that requires patience from its readers but from which critics teachers and students of george orwell s life and work will learn much

ororwellwritinganddemocraticsocialism - Nov 10 2022

web exuberant revisionary account of orwell s radical writing bearing down on the propulsive irony and formal restlessness intertwined with his plain style and outspoken support of democratic socialism included in this collection politics and the english language politics vs literature an examination of gulliver s travels the

or orwell writing and democratic socialism department of - Jul 18 2023

web he is also the author of or orwell writing and democratic socialism harvard up 2016 which takes up the literature and politics question through a close reading of george orwell s generically experimental non fiction prose

remembering george orwell the socialist - Mar 02 2022

web to most readers george orwell june 25 1903 january 21 1950 remains the author of nineteen eighty four and animal farm stalinism s most trenchant critic and champion of liberal democracy

alex woloch or orwell writing and democratic socialism - Jun 17 2023

web alex woloch s or orwell writing and democratic socialism is a sophisticated painstaking scholarly book that requires patience from its readers but from which critics teachers and students of george orwell s life and work will learn much

or orwell writing and democratic socialism hardcover - Aug 07 2022

web jan 4 2016 overview there have been many studies of george orwell s life and work but nothing quite like this book by alex woloch an exuberant revisionary account of orwell s writing good prose is like a window pane orwell famously avers but what kind of literary criticism is possible face to face with orwell s plain style prose

george orwell wikipedia - Jul 06 2022

web his work is characterised by lucid prose social criticism opposition to totalitarianism and support of democratic socialism 2 orwell produced literary criticism poetry fiction and polemical journalism he is known for the allegorical novella animal farm 1945 and the dystopian novel nineteen eighty four 1949

or orwell writing and democratic socialism alex - Jun 05 2022

web dec 13 2016 or orwell writing and democratic socialism alex woloch cambridge ma harvard university press 2016 pp xix 410

or orwell writing and democratic socialism by alex woloch - Oct 09 2022

web dec 1 2017 robert colls or orwell writing and democratic socialism by alex woloch comparative literature 1 december 2017 69 4 460 461 doi doi org 10 1215 00104124 4260492 download citation file zotero reference manager easybib bookends mendeley papers endnote reworks bibtex

george orwell and democratic socialism book analysis - Aug 19 2023

web george orwell 1903 1950 british undeniably the answer to this question is yes throughout his life george orwell bluntly stated on more than one occasion that he was a socialist specifically he would say a democratic socialist

stanford professor uncovers roots of george orwell s political - Feb 13 2023

web feb 16 2016 through a close reading of george orwell s nonfiction prose stanford english professor alex woloch shows how language and democratic socialism played roles in the british writer s stand against totalitarianism by samuel huneke

or orwell writing and democratic socialism semantic scholar - Mar 14 2023

web the first half of or orwell ranges across his nonfiction prose including new readings of a hanging the road to wigan pier and inside the whale the second half develops an extended analysis of a single writing project orwell s eighty as i please newspaper columns written for the socialist weekly tribune

or orwell alex woloch harvard university press - May 16 2023

web jan 4 2016 such restlessness far from diluting orwell s democratic and socialist politics is at its aesthetic and conceptual core the first half of or orwell ranges across his nonfiction prose including new readings of a hanging

or orwell writing and democratic socialism hardcover - Dec 11 2022

web hello sign in account lists returns orders cart

or orwell writing and democratic socialism a book by alex - Apr 03 2022

web there have been many studies of george orwell s life and work but nothing quite like this book by alex woloch an exuberant revisionary account of orwell s writing good prose is like a window pane orwell famously avers but what kind of literary criticism is possible face to face with orwell s plain style prose

or orwell writing and democratic socialism 9780674282483 - Jan 12 2023

web or orwell writing and democratic socialism alex woloch there have been many studies of george orwell but nothing quite like this book by alex woloch an exuberant revisionary account of orwell s radical writing bearing down on the propulsive ir

george orwell and the failure of democratic socialism the problem of - Sep 08 2022

web orwell s democratic socialism clearly orwell was a socialist he declared that his support for socialist principles dated from at least 1936 the year he fought in the spanish civil war every line of serious work i have written since 1936 has been writ ten directly or indirectly against totalitarianism and for demo

or orwell writing and democratic socialism google books - Apr 15 2023

web jan 4 2016 such restlessness far from diluting orwell s democratic and socialist politics is at its aesthetic and conceptual core the first half of or orwell ranges across his nonfiction prose

or orwell writing and democratic socialism alex woloch - May 04 2022

web such restlessness far from diluting orwell s democratic and socialist politics is at its aesthetic and conceptual core good prose is like a window pane orwell famously avers but what kind of literary criticism is possible face to

or orwell writing and democratic socialism on jstor - Oct 21 2023

web introduction orwell s formalism or a theory of socialist writing download xml quite bare a hanging download xml interlude between texts download xml getting to work the road to wigan pier download xml semi sociological inside the whale download xml the column as form download xml writing s

ib german b paper 1 2008 markscheme pdf ams istanbul edu - Sep 09 2023

web ib german b paper 1 2008 markscheme downloaded from ams istanbul edu tr by guest fitzgerald john advice for language specifically german b sl paper 1 ibo ib german b paper 1start studying german ib b sl paper 1 key words learn vocabulary terms and more with flashcards games and other study tools german ib b sl

alinit1 wordpress com - May 25 2022

web dec 3 2018 we would like to show you a description here but the site won t allow us

ib german b paper 1 2008 markscheme pdf full pdf - Jun 06 2023

web may 30 2023 1 ib german b paper 1 2008 markscheme pdf this is likewise one of the factors by obtaining the soft documents of this ib german b paper 1 2008 markscheme pdf by online you might not require more times to spend to go to the books launch as skillfully as search for them in some cases you likewise pull off not discover the

ib german b paper 1 2008 markscheme pdf store spiralny - Mar 23 2022

web ib german b paper 1 2008 markscheme 3 3 past exam papers paywalled journal articles etc only join this server if you agree with the rule above and the rest of the rules the server has ib documents resources repositorydownload ib german b hl past papers ib german b hl past papers 1 1 downloaded from calendarpridesourcecom on december 9

ib german b paper 1 2008 markscheme vps huratips - Apr 23 2022

web 2 ib german b paper 1 2008 markscheme 2022 06 12 ib german b paper 1 2008 markscheme downloaded from vps huratips com by guest braylon nicholson past papers from 1999 2015 for basically every subject ib lang lit paper 1 insane tip ib language b vocabulary 2017 tips the perfect ib study style schedule

ib german b paper 1 2008 markscheme download only - Oct 10 2023

web ib german b paper 1 2008 markscheme 3 3 tailored to the higher level requirements of the ib syllabus and written by experienced ib history examiners and teachers it offers authoritative and engaging guidance through the topic exploring

domestic developments during this time in germany italy spain and france southern drug journal hodder

ib german b paper 1 2008 markscheme pdf palletized like - Jul 27 2022

web ib german b paper 1 2008 markscheme downloaded from palletized like satellitedesksworks com by guest alvaro montgomery american druggist and pharmaceutical record cambridge university press suitable for standard and higher level students this resource is written by an experienced ib english teacher following the

ib german b paper 1 2008 markscheme 2 brb org - Jan 01 2023

web ib german b paper 1 2008 markscheme dcgs ib german text types memrise ib german b paper 1 german b sl ib dp course syllabus mskobr ru developing in a language international baccalaureate free german past papers a level pre u ib igcse and gcse ib questionbanks past papers mark schemes and grade past

international baccalaureate ib past papers with mark schemes - Jul 07 2023

web 13 03 2008 08 20 dir 06 05 2006 23 37 98 961 nov 2003 mark scheme english a1 hl paper 1 pdf 06 05 2006 23 37 111 227 nov 2003 mark scheme english a1 hl paper 2 pdf 06 05 2006 23 37 98 506 nov 2003 mark scheme english a1 sl paper 1 pdf 06 05 2006 23 37 114 723 nov 2003 mark scheme english a1 sl paper 2 pdf 06 05 2006 23 39

ib german b paper 1 2008 markscheme uniport edu - Sep 28 2022

web may 8 2023 said the ib german b paper 1 2008 markscheme is universally compatible like any devices to read history for the ib diploma origins and development of authoritarian and single

ib german b paper 1 2008 markscheme pdf uniport edu - Aug 08 2023

web sep 3 2023 ib german b paper 1 2008 markscheme 3 13 downloaded from uniport edu ng on september 3 2023 by guest 2012 08 03 this series has taken the clarity accessibility reliability and in depth analysis of our best selling access to history series and tailor made it for the history ib diploma each title in the series

ib german b paper 1 2008 markscheme alfie kohn pdf - Feb 02 2023

web merely said the ib german b paper 1 2008 markscheme is universally compatible with any devices to read history for the ib diploma origins and development of authoritarian and single party states allan todd

ib german b paper 1 2008 markscheme full pdf - May 05 2023

web ib german b paper 1 2008 markscheme downloaded from jupiter goinglobal com by guest logan huang ib paper 1 german flashcards and study sets quizlet ib german b paper 1 start studying german ib b sl paper 1 key words learn vocabulary terms and more with flashcards games and other study tools german ib b sl paper 1 key words

ib german b paper 1 2008 markscheme full pdf - Aug 28 2022

web ib german language b paper 1 tips by hazel bober ib questionbanks past papers mark schemes and grade advice for language specifically german b sl paper 1

[ib german b paper 1 2008 markscheme pdf marketspot uccs](#) - Apr 04 2023

web german b paper 1 2008 markscheme but end up in malicious downloads rather than reading a good book with a cup of coffee in the afternoon instead they juggled with some harmful virus inside their laptop

[ib german b paper 1 2008 markscheme download only](#) - Nov 30 2022

web any of our books next this one merely said the ib german b paper 1 2008 markscheme is universally compatible in imitation of any devices to read ib german b paper 1 2008 markscheme downloaded from marketspot uccs edu by guest powers petersen past papers from 1999 2015 for basically every subject ib german b paper 1 start

ib german b paper 1 2008 markscheme copy ftp wagmtv - Feb 19 2022

web 2 ib german b paper 1 2008 markscheme 2022 10 14 paper 1 key words learn vocabulary terms and more with flashcards games and other study tools german ib b sl paper 1 key words flashcards quizlet advice for pupils on how to approach paper i for ib german language b this is the text handling reading paper i wanted to make

ib german b paper 1 2008 markscheme download only test ajj - Mar 03 2023

web ib german b paper 1 2008 markscheme 2010 11 24 2 8 ib german b paper 1 2008 markscheme carlong english b paper 1 2017 this book was written to provide caribbean students and teachers with a much needed resource for practice with the new csec english b paper 01 exam caribbean teachers and students

ib german b paper 1 2008 markscheme las gnome - Jun 25 2022

web jan 6 2023 ib german b paper 1 2008 markscheme 1 2 downloaded from las gnome org on january 6 2023 by guest ib german b paper 1 2008 markscheme getting the books ib german b paper 1 2008 markscheme now is not type of inspiring means you could not single handedly going similar to ebook heap or library or

[ib german b paper 1 2008 markscheme pdf dallas1 starve](#) - Oct 30 2022

web evaluation refine and progress analytical thinking and fully embed vital paper 1 skills strengthening exam performance integrate approaches to learning with atls like thinking communication research and social skills built directly into learning help learners think critically about improving

instagram - Aug 03 2022

web instagram

[shut the hell up rich boy youtube](#) - Jul 02 2022

web shut the hell up rich boy dukeschannel 10 subscribers subscribe 106 share 18k views 12 years ago shut the hell up rich boy mr deeds show more

[til death do we part beeduo mr rich boy wattpad](#) - Mar 10 2023

web til death do we part beeduo two boys are one day paired in a year long school project the popular boy named ranboo and

the not so popular boy tubbo they slowly get to know eachother throughout the year and slowly realize their feelings towards eachother cw homophobia b

agreements with mr rich boy rosie wattpad - Jul 14 2023

web jul 21 2018 the mr series 1 oh you silly girl didn t they ever tell you rich boys don t have hearts don t speak to them don t go near them don t breathe within 3 feet of them the prestigious attwood academy was home only to the richest and most regal teenagers not only in britain but in the entire world

mr rich gang boy official music video sk youtube - Apr 11 2023

web stream mr rich gang boy on soundcloud soundcloud com sk infinity skageenjoy musicvideo rap artist zimbabwe zimrappers grammyscredits go to exe

rich black guy youtube - Feb 26 2022

web rich black guyfirst name last name black proud for business contact ethan at 3 arts entertainment estern 3arts com

mr rich boy is on instagram 40 posts on their profile - Sep 04 2022

web 396 followers 1 199 following 40 posts see instagram photos and videos from mr rich boy mrrich boy

ahmet zor mr rich boy twitter - Mar 30 2022

web jun 29 2011 the latest tweets from ahmet zor mr rich boy

rich boy songs albums reviews bio more allmusic - Oct 05 2022

web explore rich boy s discography including top tracks albums and reviews learn all about rich boy on allmusic

mr rich boy twitch - Jun 01 2022

web mr rich boy here yeah the twitch world now has another person making videos you didn t know you wanted to watch

rich boy album wikipedia - Jan 28 2022

web rich boy is the eponymous debut studio album by american rapper rich boy released on march 13 2007 through interscope and zone 4 the album was supported by rich boy s smash hit debut single throw some d s produced by and featuring polow da don which peaked at number six on the billboard hot 100 the remix of throw some d s appears

richie rich the 90s club kid goes virtual for beauty - Apr 30 2022

web may 12 2022 since it started in march the site has drawn about 10 000 members according to mr rich mr rich the irrepressible ringmaster of this online circus has hardly abandoned his

richie rich netflix resmi sitesi - Nov 06 2022

web 2015 yetişkinlik düzeyi 7 2 sezon comedies sebzelerini yeşil enerjiye dönüştüren richie rich bir gecede bir trilyon dolar kazanır ve kesintisiz eğlence ve macera dolu yeni bir hayata adım atar başroldekiler jake brennan joshua carlon lauren taylor yaratıcılar brian robbins tim pollock jeff hodsden binlerce seçenek

mr rich boy in editing your mother wattpad - Aug 15 2023

web dec 31 2020 mr rich boy in editing reads 16 9m votes 36 4k parts 6 time 1h 36m start reading maddiehansen8 complete first published jan 19 2013 maggie shaw a personal stylist in new york city has never had the chance to work with a client on her own always playing henchman to ornery seasoned pro cheryl miraculously she s gifted her

mr rich boy in editing 1 wattpad - May 12 2023

web mr rich boy in editing romance maggie shaw a personal stylist in new york city has never had the chance to work with a client on her own always playing henchman to ornery seasoned pro cheryl miraculously she s gifted her first client just as their friendship begins to blos

mr rich boy hashtag videos on tiktok - Jan 08 2023

web mr rich boy 18 2k people have watched this watch short videos about mr rich boy on tiktok

agreements with mr rich boy f o r e w o r d wattpad - Jun 13 2023

web agreements with mr rich boy teen fiction the mr series 1 oh you silly girl didn t they ever tell you rich boys don t have hearts don t speak to them don t go near them don t breathe within 3 feet of them the prestigious attwood academy was home only to the richest and most

rich boy wikipedia - Dec 27 2021

web marece benjamin richards born september 2 1983 better known by his stage name rich boy is an american rapper from mobile alabama he is best known for the hit single throw some d s featuring polow da don released in august 2006

mr rich boy books goodreads - Dec 07 2022

web books shelved as mr rich boy the house across the lake by riley sager the housemaid by freida mcfadden the bodyguard by katherine center icebreaker b

□□□□ mr rich boy tiktok - Feb 09 2023

web □□□□ mr rich boy on tiktok 25 7k likes 2k followers do your best fuck the rest watch the latest video from □□□□ mr rich boy