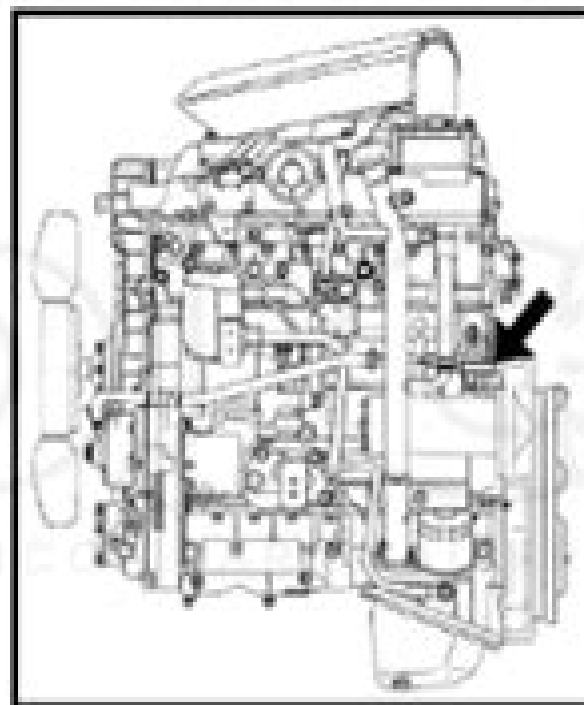
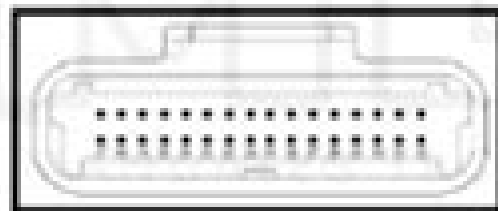
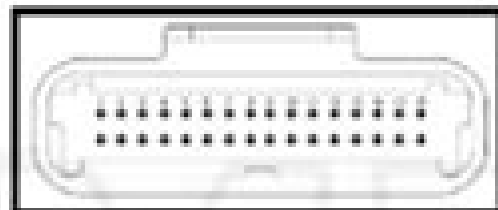


ISUZU

4JX1



4JX1 // (3.0 L)

Isuzu 4jx1 Service Manual

Isuzu Jidōsha Kabushiki Kaisha



Isuzu 4x1 Service Manual:

This is likewise one of the factors by obtaining the soft documents of this **Isuzu 4jx1 Service Manual** by online. You might not require more epoch to spend to go to the book opening as competently as search for them. In some cases, you likewise reach not discover the statement Isuzu 4jx1 Service Manual that you are looking for. It will agreed squander the time.

However below, in imitation of you visit this web page, it will be as a result certainly easy to acquire as skillfully as download guide Isuzu 4jx1 Service Manual

It will not say yes many get older as we tell before. You can complete it though operate something else at home and even in your workplace. as a result easy! So, are you question? Just exercise just what we present below as capably as evaluation **Isuzu 4jx1 Service Manual** what you similar to to read!

https://splashdogs.com/book/detail/fetch.php/mercedes_w203_comand_manual.pdf

Table of Contents Isuzu 4jx1 Service Manual

1. Understanding the eBook Isuzu 4jx1 Service Manual
 - The Rise of Digital Reading Isuzu 4jx1 Service Manual
 - Advantages of eBooks Over Traditional Books
2. Identifying Isuzu 4jx1 Service Manual
 - Exploring Different Genres
 - Considering Fiction vs. Non-Fiction
 - Determining Your Reading Goals
3. Choosing the Right eBook Platform
 - Popular eBook Platforms
 - Features to Look for in an Isuzu 4jx1 Service Manual
 - User-Friendly Interface
4. Exploring eBook Recommendations from Isuzu 4jx1 Service Manual
 - Personalized Recommendations

- Isuzu 4jx1 Service Manual User Reviews and Ratings
- Isuzu 4jx1 Service Manual and Bestseller Lists
- 5. Accessing Isuzu 4jx1 Service Manual Free and Paid eBooks
 - Isuzu 4jx1 Service Manual Public Domain eBooks
 - Isuzu 4jx1 Service Manual eBook Subscription Services
 - Isuzu 4jx1 Service Manual Budget-Friendly Options
- 6. Navigating Isuzu 4jx1 Service Manual eBook Formats
 - ePub, PDF, MOBI, and More
 - Isuzu 4jx1 Service Manual Compatibility with Devices
 - Isuzu 4jx1 Service Manual Enhanced eBook Features
- 7. Enhancing Your Reading Experience
 - Adjustable Fonts and Text Sizes of Isuzu 4jx1 Service Manual
 - Highlighting and Note-Taking Isuzu 4jx1 Service Manual
 - Interactive Elements Isuzu 4jx1 Service Manual
- 8. Staying Engaged with Isuzu 4jx1 Service Manual
 - Joining Online Reading Communities
 - Participating in Virtual Book Clubs
 - Following Authors and Publishers Isuzu 4jx1 Service Manual
- 9. Balancing eBooks and Physical Books Isuzu 4jx1 Service Manual
 - Benefits of a Digital Library
 - Creating a Diverse Reading Collection Isuzu 4jx1 Service Manual
- 10. Overcoming Reading Challenges
 - Dealing with Digital Eye Strain
 - Minimizing Distractions
 - Managing Screen Time
- 11. Cultivating a Reading Routine Isuzu 4jx1 Service Manual
 - Setting Reading Goals Isuzu 4jx1 Service Manual
 - Carving Out Dedicated Reading Time
- 12. Sourcing Reliable Information of Isuzu 4jx1 Service Manual
 - Fact-Checking eBook Content of Isuzu 4jx1 Service Manual

- Distinguishing Credible Sources
13. Promoting Lifelong Learning
- Utilizing eBooks for Skill Development
 - Exploring Educational eBooks
14. Embracing eBook Trends
- Integration of Multimedia Elements
 - Interactive and Gamified eBooks

Isuzu 4JX1 Service Manual Introduction

Isuzu 4JX1 Service Manual Offers over 60,000 free eBooks, including many classics that are in the public domain. Open Library: Provides access to over 1 million free eBooks, including classic literature and contemporary works. Isuzu 4JX1 Service Manual Offers a vast collection of books, some of which are available for free as PDF downloads, particularly older books in the public domain. Isuzu 4JX1 Service Manual : This website hosts a vast collection of scientific articles, books, and textbooks. While it operates in a legal gray area due to copyright issues, its a popular resource for finding various publications. Internet Archive for Isuzu 4JX1 Service Manual : Has an extensive collection of digital content, including books, articles, videos, and more. It has a massive library of free downloadable books. Free-eBooks Isuzu 4JX1 Service Manual Offers a diverse range of free eBooks across various genres. Isuzu 4JX1 Service Manual Focuses mainly on educational books, textbooks, and business books. It offers free PDF downloads for educational purposes. Isuzu 4JX1 Service Manual Provides a large selection of free eBooks in different genres, which are available for download in various formats, including PDF. Finding specific Isuzu 4JX1 Service Manual, especially related to Isuzu 4JX1 Service Manual, might be challenging as theyre often artistic creations rather than practical blueprints. However, you can explore the following steps to search for or create your own Online Searches: Look for websites, forums, or blogs dedicated to Isuzu 4JX1 Service Manual, Sometimes enthusiasts share their designs or concepts in PDF format. Books and Magazines Some Isuzu 4JX1 Service Manual books or magazines might include. Look for these in online stores or libraries. Remember that while Isuzu 4JX1 Service Manual, sharing copyrighted material without permission is not legal. Always ensure youre either creating your own or obtaining them from legitimate sources that allow sharing and downloading. Library Check if your local library offers eBook lending services. Many libraries have digital catalogs where you can borrow Isuzu 4JX1 Service Manual eBooks for free, including popular titles. Online Retailers: Websites like Amazon, Google Books, or Apple Books often sell eBooks. Sometimes, authors or publishers offer promotions or free periods for certain books. Authors Website Occasionally, authors provide excerpts or short stories for free on their websites. While this might not be the Isuzu 4JX1 Service Manual full book , it can give you a taste of

the authors writing style. Subscription Services Platforms like Kindle Unlimited or Scribd offer subscription-based access to a wide range of Isuzu 4JX1 Service Manual eBooks, including some popular titles.

FAQs About Isuzu 4JX1 Service Manual Books

How do I know which eBook platform is the best for me? Finding the best eBook platform depends on your reading preferences and device compatibility. Research different platforms, read user reviews, and explore their features before making a choice. Are free eBooks of good quality? Yes, many reputable platforms offer high-quality free eBooks, including classics and public domain works. However, make sure to verify the source to ensure the eBook credibility. Can I read eBooks without an eReader? Absolutely! Most eBook platforms offer webbased readers or mobile apps that allow you to read eBooks on your computer, tablet, or smartphone. How do I avoid digital eye strain while reading eBooks? To prevent digital eye strain, take regular breaks, adjust the font size and background color, and ensure proper lighting while reading eBooks. What the advantage of interactive eBooks? Interactive eBooks incorporate multimedia elements, quizzes, and activities, enhancing the reader engagement and providing a more immersive learning experience. Isuzu 4JX1 Service Manual is one of the best book in our library for free trial. We provide copy of Isuzu 4JX1 Service Manual in digital format, so the resources that you find are reliable. There are also many Ebooks of related with Isuzu 4JX1 Service Manual. Where to download Isuzu 4JX1 Service Manual online for free? Are you looking for Isuzu 4JX1 Service Manual PDF? This is definitely going to save you time and cash in something you should think about. If you trying to find then search around for online. Without a doubt there are numerous these available and many of them have the freedom. However without doubt you receive whatever you purchase. An alternate way to get ideas is always to check another Isuzu 4JX1 Service Manual. This method for see exactly what may be included and adopt these ideas to your book. This site will almost certainly help you save time and effort, money and stress. If you are looking for free books then you really should consider finding to assist you try this. Several of Isuzu 4JX1 Service Manual are for sale to free while some are payable. If you arent sure if the books you would like to download works with for usage along with your computer, it is possible to download free trials. The free guides make it easy for someone to free access online library for download books to your device. You can get free download on free trial for lots of books categories. Our library is the biggest of these that have literally hundreds of thousands of different products categories represented. You will also see that there are specific sites catered to different product types or categories, brands or niches related with Isuzu 4JX1 Service Manual. So depending on what exactly you are searching, you will be able to choose e books to suit your own need. Need to access completely for Campbell Biology Seventh Edition book? Access Ebook without any digging. And by having access to our ebook online or by storing it on your computer, you have convenient answers with Isuzu

4jx1 Service Manual To get started finding Isuzu 4jx1 Service Manual, you are right to find our website which has a comprehensive collection of books online. Our library is the biggest of these that have literally hundreds of thousands of different products represented. You will also see that there are specific sites catered to different categories or niches related with Isuzu 4jx1 Service Manual So depending on what exactly you are searching, you will be able to choose ebook to suit your own need. Thank you for reading Isuzu 4jx1 Service Manual. Maybe you have knowledge that, people have search numerous times for their favorite readings like this Isuzu 4jx1 Service Manual, but end up in harmful downloads. Rather than reading a good book with a cup of coffee in the afternoon, instead they juggled with some harmful bugs inside their laptop. Isuzu 4jx1 Service Manual is available in our book collection an online access to it is set as public so you can download it instantly. Our digital library spans in multiple locations, allowing you to get the most less latency time to download any of our books like this one. Merely said, Isuzu 4jx1 Service Manual is universally compatible with any devices to read.

Find Isuzu 4jx1 Service Manual :

mercedes w203 comand manual

[mercruiser 260 repair manual](#)

mercedes benz service miami

[mercedes sprinter 212 workshop manual](#)

[mercedes c300 service boerne](#)

mercedes benz w123 owners manual

mercedes sprinter 208 cdi service manuale ita

[mercedes e class w211 owners manual user manual](#)

mercedes e320 shop manual 2003

mercedes benz ml320 ml350 ml500 2002 repair service manual

mercedes ml320 manual 2015

[mercedes r129 manual](#)

[mercedes c180 kompressor 2015 manual](#)

[mercedes benz slk owners manual 2009 2011](#)

[mercedes e 200 service manual](#)

Isuzu 4jx1 Service Manual :

kevin dallimore s painting and modelling guide master class - Oct 24 2022

web kevin dallimore and over 25 other renowned and respected painters and modellers reveal the techniques they use to give their miniatures and models that great professional finish techniques such as varnishing dry brushing non metallic metal shading highlighting blending textured leather and the use of diluted washes are all discussed in de

foundry miniatures painting and modeling guide amazon com - Oct 04 2023

web feb 1 2007 the foundry miniature painting and modeling guide is a must buy for anyone who is a just learning how to paint miniatures especially fantasy ones for rpgs not to mention the book does a good job detailing tricks and other things to make your minis come out looking great

foundry miniatures painting and modeling guide hardcover - Aug 02 2023

web foundry miniatures painting and modeling guide dallimore kevin amazon sg books

[foundry miniatures painting and modeling guide google books](#) - Apr 29 2023

web this is a fully comprehensive guide to painting and constructing miniature models this book should help to get you started if you re coming to painting with no experience and encourage

painting guide wargamesfoundry kevin dallimore s painting - Feb 13 2022

web an comprehensive guide to painting miniature product this book will help her geting started with the foundry paint device

foundry miniatures painting and modelling guide signed by - Jun 19 2022

web foundry miniatures painting and modelling guide signed by kevin dallimore boards show some wear with indenting front and rear and some knocks to edges and corners moderate damage to top corner of upper board

ipms book review foundry miniatures painting modelling guide - Mar 17 2022

web this guidebook written by kevin dallimore covers every aspect from preparing the figure to the completed miniature it begins by showing you in great detail how to clean the figures and what to do before painting them it then proceeds to show you how to paint using the foundry acrylic colors to produce a beautiful finished product

review foundry miniatures painting and modelling guide - Apr 17 2022

web 7 1k views 12 years ago a review of the massive foundry miniatures painting and modelling guide sorry if i go over it a little quickly time was of the essence show more

[foundry miniatures painting and modelling guide abebooks](#) - Dec 26 2022

web isbn 9781901543131 hardcover foundry books 2009 condition new new unmarked third edition the ultimate guide to painting miniature figures and vehicles using wargames foundry castings and keyed to the foundry line of acrylic paints

features kevin dallimore s unique method of black undercoating to enhance details

the foundry paint system wargamesfoundry - Aug 22 2022

web the foundry painting method uses three shades of each colour building up in layers from dark to light to easily achieve a realistic three dimensional shaded effect without the need for blending the three layers of colour give real depth and subtlety to your work you will be able to start painting in the foundry style

foundry miniatures painting and modelling guide abebooks - Jan 27 2023

web foundry miniatures painting and modelling guide kevin michael dallimore 3 86 avg rating 36 ratings by goodreads

hardcover isbn 10 1901543137 isbn 13 9781901543131 publisher foundry 2009 view all copies of

[foundry miniatures painting and modelling guide abebooks](#) - Mar 29 2023

web mar 22 2011 this is a fully comprehensive guide to painting and constructing miniature models this book should help to get you started if you re coming to painting with no experience and encourage you to try out a few new or different methods if you have painted before

foundry miniatures painting and modelling guide blackwell s - Feb 25 2023

web jun 26 2009 here it is at last kevin dallimore s fully comprehensive guide to painting miniature models if you re entirely new to painting then this guide will help to ge

foundry miniatures painting and modelling guide hardcover - Jul 01 2023

web buy foundry miniatures painting and modelling guide 1st by kevin michael dallimore martin buck martin buck kevin dallimore bryan ansell kevin dallimore isbn 9781901543131 from amazon s book store everyday low

kevin s web kevin dallimore s personal site of model and figure painting - May 19 2022

web kevin dallimore s personal site of model and figure painting stix nemesis fire mortis toby foundry 2000ad foundry 2000ad stix hondo karyn nest slaine rogue venus bluegenes nort rogue trooper fatty angel gang abc warriors judges slaine rogue trooper don uggie

foundry miniatures painting and modeling guide goodreads - Nov 24 2022

web foundry miniatures painting and modeling guide kevin dallimore 3 86 36 ratings2 reviews want to read buy on amazon rate this book this is a fully comprehensive guide to painting and constructing miniature models

[amazon co uk customer reviews foundry miniatures painting](#) - Jul 21 2022

web find helpful customer reviews and review ratings for foundry miniatures painting and modelling guide at amazon com read honest and unbiased product reviews from our users amazon co uk customer reviews foundry miniatures painting and

foundry painting and modelling guide by kevin dallimore - Sep 03 2023

web a comprehensive guide to painting miniature models this book will help you get started if you re coming to painting with

no experience and encourage you to try out a few new or different methods if you have painted before each technique is described in detail along with pictures to illustrate every step as clearly as possible

foundry miniatures painting and modelling guide hardback - Sep 22 2022

web jun 26 2009 foundry miniatures painting and modelling guide hardback kevin dallimore author sign in to write a review 25 00 hardback 176 pages published 26 06 2009 this product is currently unavailable synopsis publisher foundry books isbn 9781901543131 number of pages 176 dimensions 305 x 215 mm james eade

foundry miniatures painting and modeling guide amazon com - May 31 2023

web the foundry miniature painting and modeling guide is a must buy for anyone who is a just learning how to paint miniatures especially fantasy ones for rpgs not to mention the book does a good job detailing tricks and other things to *güllaç recette dessert ottoman sous titré youtube* - Jun 05 2023

web apr 16 2021 118 3 7k views 1 year ago güllaç dessert ottoman turkseed chef güllaç is a traditional turkish dessert dating from the years 1400 1450 it is a dairy dessert that is consumed a

desserts aux la c gumes help environment harvard edu - Nov 29 2022

web all best area within net connections if you intend to download and install the desserts aux la c gumes it is completely simple then past currently we extend the member to buy

desserts aux la c gumes solutions milnerbrowne - Oct 29 2022

web desserts aux la c gumes downloaded from solutions milnerbrowne com by guest reeves sutton la vie quotidienne au temps de la révolution courier corporation

15 desserts aux agrumes pour faire le plein de vitamines - Jul 06 2023

web feb 15 2007 côté recettes de desserts aux agrumes il y en a pour tous les goûts et pour toute la saison les traditionnelles crêpes suzette se revisitent aux agrumes le flan aux

desserts aux la c gumes read only election tv standardmedia co - Jan 20 2022

web desserts aux la c gumes 2016 01 26 1 19 desserts aux la c gumes introduction desserts aux la c gumes pdf a dictionary of arts and sciences la conservation

desserts aux la c gumes pdf accounts ceu social - Dec 19 2021

web desserts aux la c gumes book review unveiling the power of words in a global driven by information and connectivity the power of words has be evident than ever they have

desserts aux la c gumes mail lafamigliawv - Mar 22 2022

web 2 desserts aux la c gumes 2021 12 10 desserts aux la c gumes downloaded from mail lafamigliawv com by guest cynthia riley i migliori ristoranti del ponente ligure e

les desserts turcs tooistanbul - Aug 07 2023

web jul 20 2015 vous connaissez sûrement déjà les fameux baklavas et les loukoums et pour certains le künefe mais vous allez voir que la cuisine turque offre aussi d'autres

desserts aux la c gumes mail lafamigliawv - Jul 26 2022

web desserts aux la c gumes 3 3 sixième année lui offrira une tonne de revirements étranges l'avoir vu dans une boule de cristal elle aurait tout fait pour éviter la

desserts aux la c gumes copy uniport edu - Dec 31 2022

web jul 15 2023 desserts aux la c gumes 1 6 downloaded from uniport edu ng on july 15 2023 by guest desserts aux la c gumes as recognized adventure as capably as

24 meilleurs desserts turcs macuisineentoutgenre - May 04 2023

web cette crème glacée est un dessert parfait à part entière mais c'est aussi l'accompagnement idéal pour les desserts turcs tels que la baklava aux noix ou la

desserts aux la c gumes ftp thedevonshirelondon co - Aug 27 2022

web desserts aux la c gumes 1 desserts aux la c gumes recognizing the way ways to get this books desserts aux la c gumes is additionally useful you have remained in right

plats de la c gumes super facile 2023 dna viz tpq - Apr 22 2022

web plats de la c gumes super facile commentaire littéral historique et moral sur la règle de saint benoit avec des remarques sur les différents ordres religieux qui suivent la

veg de da c licieuses recettes de la c gumes pour 2023 - Jun 24 2022

web veg de da c licieuses recettes de la c gumes pour revenue statistics 2001 jan 26 2020 saltwater fish in the 17th century and why were exotic desserts so popular in

desserts aux la c gumes pdf ceu social - Oct 09 2023

web profound transformations is nothing lacking extraordinary within the captivating pages of desserts aux la c gumes a literary masterpiece penned with a renowned author readers embark on a transformative journey unlocking the secrets and untapped potential

les la c gumes d hiver recettes et portraits 2023 - Apr 03 2023

web l'ayurveda et la méditation depuis 20 ans chronique médicale apr 14 2020 recettes d'été et d'hiver mar 18 2023 René meilleur et son fils Maxime confient les meilleures recettes

desserts aux la c gumes cyberlab sutd edu sg - May 24 2022

web desserts aux la c gumes histoire des controverses et des matières ecclésiastiques traitées dans le 11e siècle aug 11 2022

kirkus reviews la tensione rimane alta

desserts aux la c gumes pdf pdf voto uneal edu - Feb 18 2022

web of desserts aux la c gumes pdf a literary masterpiece penned by a renowned author readers embark on a transformative journey unlocking the secrets and untapped

desserts aux la c gumes copy alerts nativefishsociety - Sep 27 2022

web 2 desserts aux la c gumes 2021 04 17 desserts aux la c gumes downloaded from alerts nativefishsociety org by guest jacob travis montréal and québec city 2009

liste de desserts turcs wikipédia - Mar 02 2023

web cet article contient une liste de desserts de la cuisine turque dessert turc un aşure et un zerde cezerye cevizli sucuk güllaç un riz au lait le sùtlaç un tavukgöğsü avec une

kabak Çiçeği dolması bulgurlu nefis yemek tarifleri - Feb 01 2023

web aug 3 2018 kabak Çiçeği dolması bulgurlu tarifi İçin malzemeler 300 gr kabak çiçeği 2 su bardağı bulgur 1 tane soğan yarım demet maydanoz yarım demet dereotu 2

desserts aux la c gumes moodle morganintl com - Nov 17 2021

web 2 desserts aux la c gumes 2021 10 24 new york magazine was born in 1968 after a run as an insert of the new york herald tribune and quickly made a place for itself as the

desserts aux la c gumes solutions milnerbrowne - Sep 08 2023

web desserts aux la c gumes downloaded from solutions milnerbrowne com by guest huerta nixon summer games sans limites edizioni zem un vademecum

solid state physics ashcroft mermin solution manual - Apr 06 2022

web no need to wasting time to lookup on another place to get solid state physics ashcroft mermin solution manual we provide you solid state physics ashcroft mermin solution manual in pdf format so you can read and download its to your computer which this file are safe and virus free

solid state physics solution manual chegg com - Apr 18 2023

web get instant access to our step by step solid state physics solutions manual our solution manuals are written by chegg experts so you can be assured of the highest quality

ashcroft and mermin wikipedia - Jul 09 2022

web ashcroft and mermin solid state physics better known by its colloquial name ashcroft and mermin is an introductory condensed matter physics textbook written by neil ashcroft and n david mermin 1

ashcroft n mermin n solid state physics 1ed 1976 solutions - Jun 20 2023

web ashcroft n mermin n solid state physics 1ed 1976 solutions textbook answers

ashcroft solid state free download borrow and streaming - Jan 15 2023

web mar 14 2019 ashcroft solid state n w ashcroft y n d mermin solid state physics saunders collage publishing 1976

ashcroft and mermin solid state physics solutions manual - Jan 03 2022

web read free ashcroft and mermin solid state physics solutions manual copy ahecd data utah ashcroft and mermin solid state physics solutions manual if you ally craving such a referred ashcroft and mermin solid state physics solutions manual book that will offer you worth acquire the enormously best seller from us currently from

solutions to ashcroft and mermin tripod - Aug 22 2023

web solutions to ashcroft and mermin introduction to solid state physics disclaimer all parts of these solutions may be reproduced or transmitted in some form or by some means electronic or mechanical including photocopy recording downloading without permission from the publisher the solutions may contain some minor errors

solutions for solid state physics 1st numerade - Dec 14 2022

web solutions for solid state physics 1st neil w ashcroft n david mermin get access to all of the answers and step by step video explanations to this book and 5 000 more

solid state physics university of cambridge - Aug 10 2022

web there are many excellent books on solid state physics the two canonical books are ashcroft and mermin solid state physics kittel introduction to solid state physics both of these go substantially beyond the material covered in this course personally i have a slight preference for the verbosity of ashcroft and mermin

solid state physics neil w ashcroft n david mermin solution manual - May 19 2023

web oct 21 2018 neil w ashcroft n david mermin edition 1st language english file type zip file size 1 5 mb download mediafire or go to t me s physicsdirectory 38 you can find the original book in here how to download

solid state physics 1st edition textbook solutions chegg com - Jul 21 2023

web solid state physics 1st edition we have solutions for your book this problem has been solved problem 1p chapter ch1 problem 1p poisson distribution in the drude model the probability of an electron suffering a collision in any infinitesimal interval dt is just $dt \tau$

solid state physics neil w ashcroft n david mermin - Mar 05 2022

web oct 21 2018 neil w ashcroft n david mermin edition 1st published year 1976 language english file type djvu file size 11 3 mb download mediafire or go to t me s physicsdirectory 37 you can find the solution to

[ashcroft n mermin n solid state physics 1ed 1976 solution manual](#) - Sep 11 2022

web feb 13 2022 ashcroft n mermin n solid state physics 1ed 1976 solution manual ashcroft n mermin n solid state physics

textbook solutions 1ed 1976 step by step solution manual a comment more posts you may like r netlist netlist s data center nvm express nvme solid state drives ssds are built using pci express

solid state physics neil w ashcroft n david mermin google - Nov 13 2022

web solid state physics neil w ashcroft n david mermin cengage 2021 solid state physics 848 pages this book provides a comprehensive introduction to the field of solid state physics for undergraduate students in physics chemistry engineering and

solid state physics ashcroft mermin solution manual pdf pdffiller - Mar 17 2023

web solid state physics by neil ashcroft and n david mermin is a comprehensive textbook on the subject of solid state physics it is intended to be used as a reference for undergraduate and graduate students studying the field of condensed matter physics

solutions to problems in condensed matter physics university - Feb 04 2022

web the assignments were rather creative and difficult and generally did not come out of the course textbook ashcroft and mermin s solid state physics therefore the problems will simply be presented as assigned i hope these prove useful all

solutions homework 1 homework 2 homework 3 homework 4 homework 5 homework 6 homework 7

do you have the solutions of solid states by ashcraft - Oct 12 2022

web saudi aramco join researchgate to find the people and research you need to help your work 25 million members 160 million publication pages 2 3 billion citations

pdf solid state physics ashcroft mermin academia edu - Jun 08 2022

web solid state physics ashcroft mermin the oxford solid state basics solutions to exercises davie lee download free pdf view pdf s l kakani material science new age pub 2006 booksee by civildatas ahmet fatih yilmaz download free pdf view pdf

graduate texts in physics imad bakouk

download ashcroft mermin solid state physics solution - Feb 16 2023

web download ashcroft mermin solid state physics solution type pdf date october 2019 size 2 2mb this document was uploaded by user and they confirmed that they have the permission to share it if you are author or own the copyright of this book please report to us by using this dmca report form report dmca

pdf ashcroft mermin solid state physics academia edu - May 07 2022

web ashcroft mermin solid state physics tiến trung see full pdf download pdf