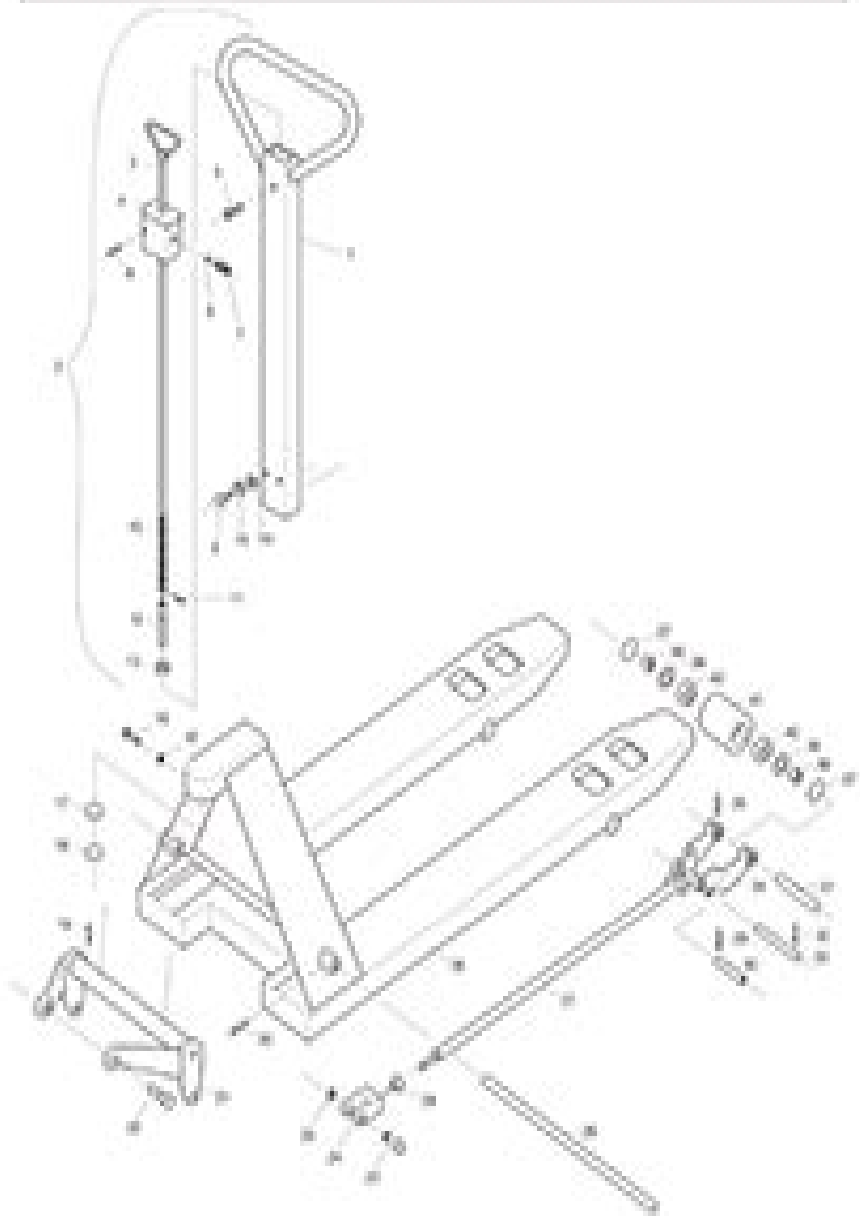
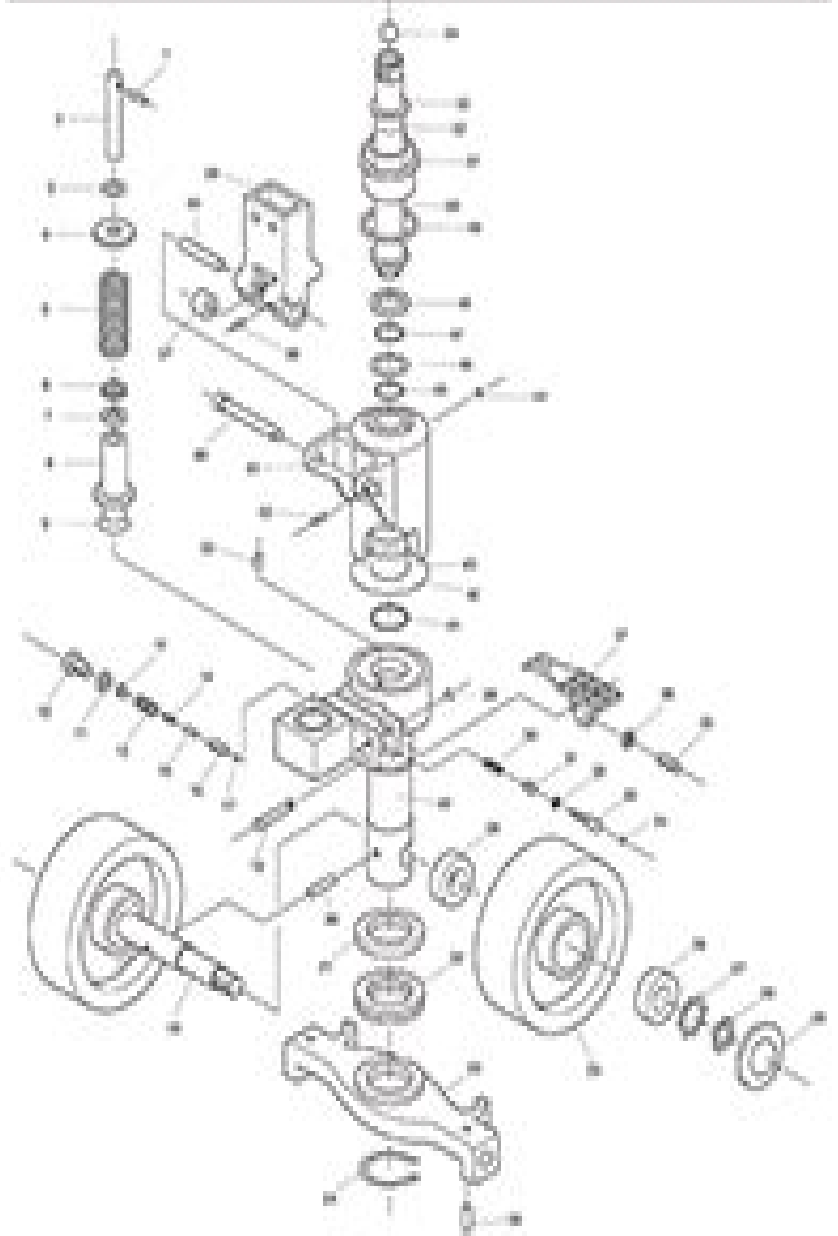


## PALLET JACK PARTS



## PALLET JACK PARTS



# Multiton Electric Pallet Jack Parts Manual Emb

**B Lingard**



**Multiton Electric Pallet Jack Parts Manual Emb:**

As recognized, adventure as capably as experience roughly lesson, amusement, as competently as conformity can be gotten by just checking out a book **Multiton Electric Pallet Jack Parts Manual Emb** then it is not directly done, you could recognize even more in this area this life, not far off from the world.

We allow you this proper as with ease as easy showing off to get those all. We meet the expense of Multiton Electric Pallet Jack Parts Manual Emb and numerous books collections from fictions to scientific research in any way. along with them is this Multiton Electric Pallet Jack Parts Manual Emb that can be your partner.

[https://splashdogs.com/files/virtual-library/index.jsp/Manual\\_Canon\\_A470.pdf](https://splashdogs.com/files/virtual-library/index.jsp/Manual_Canon_A470.pdf)

## **Table of Contents Multiton Electric Pallet Jack Parts Manual Emb**

1. Understanding the eBook Multiton Electric Pallet Jack Parts Manual Emb
  - The Rise of Digital Reading Multiton Electric Pallet Jack Parts Manual Emb
  - Advantages of eBooks Over Traditional Books
2. Identifying Multiton Electric Pallet Jack Parts Manual Emb
  - Exploring Different Genres
  - Considering Fiction vs. Non-Fiction
  - Determining Your Reading Goals
3. Choosing the Right eBook Platform
  - Popular eBook Platforms
  - Features to Look for in an Multiton Electric Pallet Jack Parts Manual Emb
  - User-Friendly Interface
4. Exploring eBook Recommendations from Multiton Electric Pallet Jack Parts Manual Emb
  - Personalized Recommendations
  - Multiton Electric Pallet Jack Parts Manual Emb User Reviews and Ratings
  - Multiton Electric Pallet Jack Parts Manual Emb and Bestseller Lists
5. Accessing Multiton Electric Pallet Jack Parts Manual Emb Free and Paid eBooks

- Multiton Electric Pallet Jack Parts Manual Emb Public Domain eBooks
  - Multiton Electric Pallet Jack Parts Manual Emb eBook Subscription Services
  - Multiton Electric Pallet Jack Parts Manual Emb Budget-Friendly Options
6. Navigating Multiton Electric Pallet Jack Parts Manual Emb eBook Formats
    - ePub, PDF, MOBI, and More
    - Multiton Electric Pallet Jack Parts Manual Emb Compatibility with Devices
    - Multiton Electric Pallet Jack Parts Manual Emb Enhanced eBook Features
  7. Enhancing Your Reading Experience
    - Adjustable Fonts and Text Sizes of Multiton Electric Pallet Jack Parts Manual Emb
    - Highlighting and Note-Taking Multiton Electric Pallet Jack Parts Manual Emb
    - Interactive Elements Multiton Electric Pallet Jack Parts Manual Emb
  8. Staying Engaged with Multiton Electric Pallet Jack Parts Manual Emb
    - Joining Online Reading Communities
    - Participating in Virtual Book Clubs
    - Following Authors and Publishers Multiton Electric Pallet Jack Parts Manual Emb
  9. Balancing eBooks and Physical Books Multiton Electric Pallet Jack Parts Manual Emb
    - Benefits of a Digital Library
    - Creating a Diverse Reading Collection Multiton Electric Pallet Jack Parts Manual Emb
  10. Overcoming Reading Challenges
    - Dealing with Digital Eye Strain
    - Minimizing Distractions
    - Managing Screen Time
  11. Cultivating a Reading Routine Multiton Electric Pallet Jack Parts Manual Emb
    - Setting Reading Goals Multiton Electric Pallet Jack Parts Manual Emb
    - Carving Out Dedicated Reading Time
  12. Sourcing Reliable Information of Multiton Electric Pallet Jack Parts Manual Emb
    - Fact-Checking eBook Content of Multiton Electric Pallet Jack Parts Manual Emb
    - Distinguishing Credible Sources
  13. Promoting Lifelong Learning
    - Utilizing eBooks for Skill Development

- Exploring Educational eBooks
14. Embracing eBook Trends
- Integration of Multimedia Elements
  - Interactive and Gamified eBooks

### **Multiton Electric Pallet Jack Parts Manual Emb Introduction**

Multiton Electric Pallet Jack Parts Manual Emb Offers over 60,000 free eBooks, including many classics that are in the public domain. Open Library: Provides access to over 1 million free eBooks, including classic literature and contemporary works. Multiton Electric Pallet Jack Parts Manual Emb Offers a vast collection of books, some of which are available for free as PDF downloads, particularly older books in the public domain. Multiton Electric Pallet Jack Parts Manual Emb : This website hosts a vast collection of scientific articles, books, and textbooks. While it operates in a legal gray area due to copyright issues, its a popular resource for finding various publications. Internet Archive for Multiton Electric Pallet Jack Parts Manual Emb : Has an extensive collection of digital content, including books, articles, videos, and more. It has a massive library of free downloadable books. Free-eBooks Multiton Electric Pallet Jack Parts Manual Emb Offers a diverse range of free eBooks across various genres. Multiton Electric Pallet Jack Parts Manual Emb Focuses mainly on educational books, textbooks, and business books. It offers free PDF downloads for educational purposes. Multiton Electric Pallet Jack Parts Manual Emb Provides a large selection of free eBooks in different genres, which are available for download in various formats, including PDF. Finding specific Multiton Electric Pallet Jack Parts Manual Emb, especially related to Multiton Electric Pallet Jack Parts Manual Emb, might be challenging as theyre often artistic creations rather than practical blueprints. However, you can explore the following steps to search for or create your own Online Searches: Look for websites, forums, or blogs dedicated to Multiton Electric Pallet Jack Parts Manual Emb, Sometimes enthusiasts share their designs or concepts in PDF format. Books and Magazines Some Multiton Electric Pallet Jack Parts Manual Emb books or magazines might include. Look for these in online stores or libraries. Remember that while Multiton Electric Pallet Jack Parts Manual Emb, sharing copyrighted material without permission is not legal. Always ensure youre either creating your own or obtaining them from legitimate sources that allow sharing and downloading. Library Check if your local library offers eBook lending services. Many libraries have digital catalogs where you can borrow Multiton Electric Pallet Jack Parts Manual Emb eBooks for free, including popular titles. Online Retailers: Websites like Amazon, Google Books, or Apple Books often sell eBooks. Sometimes, authors or publishers offer promotions or free periods for certain books. Authors Website Occasionally, authors provide excerpts or short stories for free on their websites. While this might not be the Multiton Electric Pallet Jack Parts Manual Emb full book , it can give you a taste of the authors writing style. Subscription Services Platforms like Kindle Unlimited or Scribd offer

subscription-based access to a wide range of Multiton Electric Pallet Jack Parts Manual Emb eBooks, including some popular titles.

### FAQs About Multiton Electric Pallet Jack Parts Manual Emb Books

**What is a Multiton Electric Pallet Jack Parts Manual Emb PDF?** A PDF (Portable Document Format) is a file format developed by Adobe that preserves the layout and formatting of a document, regardless of the software, hardware, or operating system used to view or print it. **How do I create a Multiton Electric Pallet Jack Parts Manual Emb PDF?** There are several ways to create a PDF: Use software like Adobe Acrobat, Microsoft Word, or Google Docs, which often have built-in PDF creation tools. Print to PDF: Many applications and operating systems have a "Print to PDF" option that allows you to save a document as a PDF file instead of printing it on paper. Online converters: There are various online tools that can convert different file types to PDF. **How do I edit a Multiton Electric Pallet Jack Parts Manual Emb PDF?** Editing a PDF can be done with software like Adobe Acrobat, which allows direct editing of text, images, and other elements within the PDF. Some free tools, like PDFescape or Smallpdf, also offer basic editing capabilities. **How do I convert a Multiton Electric Pallet Jack Parts Manual Emb PDF to another file format?** There are multiple ways to convert a PDF to another format: Use online converters like Smallpdf, Zamzar, or Adobe Acrobats export feature to convert PDFs to formats like Word, Excel, JPEG, etc. Software like Adobe Acrobat, Microsoft Word, or other PDF editors may have options to export or save PDFs in different formats. **How do I password-protect a Multiton Electric Pallet Jack Parts Manual Emb PDF?** Most PDF editing software allows you to add password protection. In Adobe Acrobat, for instance, you can go to "File" -> "Properties" -> "Security" to set a password to restrict access or editing capabilities. Are there any free alternatives to Adobe Acrobat for working with PDFs? Yes, there are many free alternatives for working with PDFs, such as: LibreOffice: Offers PDF editing features. PDFsam: Allows splitting, merging, and editing PDFs. Foxit Reader: Provides basic PDF viewing and editing capabilities. How do I compress a PDF file? You can use online tools like Smallpdf, ILovePDF, or desktop software like Adobe Acrobat to compress PDF files without significant quality loss. Compression reduces the file size, making it easier to share and download. Can I fill out forms in a PDF file? Yes, most PDF viewers/editors like Adobe Acrobat, Preview (on Mac), or various online tools allow you to fill out forms in PDF files by selecting text fields and entering information. Are there any restrictions when working with PDFs? Some PDFs might have restrictions set by their creator, such as password protection, editing restrictions, or print restrictions. Breaking these restrictions might require specific software or tools, which may or may not be legal depending on the circumstances and local laws.

**Find Multiton Electric Pallet Jack Parts Manual Emb :**

[manual canon a470](#)

[manual belarus mtz 820](#)

[manual canon g11 espanol](#)

[manual bombardier rally](#)

**manual colposcopio vasconcellos**

**manual canon eos 450d body**

**manual corsa 2005**

*manual amt ertl model instructions*

**manual clio sport 2004**

[manual aprilia arrecife 500](#)

[manual calentador agua](#)

*manual case ih jx 95*

**manual canon 400d portugues**

*manual asus k501 series*

~~manual crank rotated rice transplanter~~

**Multiton Electric Pallet Jack Parts Manual Emb :**

**understanding parallelogram law of vector addition** - Sep 05 2022

web feb 23 2023 recently i ve been adding vectors using the parallelogram law and the maths is trivial however i can t understand the underlying principals what allows us to move a vector such that the tail meets the head of the other vector why can we move the vector to a new starting position like this furthermore why does the parallelogram law

**5 1 vector addition and subtraction graphical methods** - May 13 2023

web the following steps describe how to use the head to tail method for graphical vector addition let the x axis represent the east west direction using a ruler and protractor draw an arrow to represent the first vector nine blocks to the east as shown in figure 5 3 a

**addition of vectors definition method of additions formula** - Nov 07 2022

web nov 12 2023 the addition of vectors is accomplished geometrically but not algebraically vector quantities should behave as independent of each other quantities before the addition from the vector addition we only conclude the resultant of a



number of vectors propagated on a body from vector addition we obtain the resultant vector which is

**vector addition vectors vector components equations phet** - Dec 08 2022

web explore vectors in 1d or 2d and discover how vectors add together specify vectors in cartesian or polar coordinates and see the magnitude angle and components of each vector experiment with vector equations and compare vector sums and differences

*vector addition the physics classroom* - Jan 09 2023

web vector addition goal to understand the principles of adding vectors by the graphical method and of adding vectors by component addition background two or more vectors can be added together to determine a vector sum or resultant two methods of adding vectors are the graphical or head to tail method and the trigonometric or component

**addition of vectors and subtraction of vectors solved examples** - Jun 02 2022

web scalars and vectors addition of vectors vector addition and subtraction the vector addition is not as straightforward as the addition of scalars vectors have both magnitude and direction and one cannot simply add two vectors to obtain their sum

*vector addition explanation examples the story of* - Jul 03 2022

web how to add two vectors what is vector addition two vectors  $a$  and  $b$  can be added together using vector addition and the resultant vector can be written as  $r = a + b$  how to add vectors graphically we have to consider both components of a vector namely direction and magnitude when using vector addition

*adding vectors algebraically graphically video khan academy* - Jul 15 2023

web lesson 1 vectors vector intro for linear algebra real coordinate spaces adding vectors algebraically graphically multiplying a vector by a scalar vector examples scalar multiplication unit vectors intro add vectors magnitude direction to component parametric representations of lines math linear algebra vectors and spaces

3 2 vector addition and subtraction graphical methods - Mar 11 2023

web the graphical method of adding vectors and involves drawing vectors on a graph and adding them using the head to tail method the resultant vector is defined such that  $r = a + b$  the magnitude and direction of  $r$  are then determined with

vector addition formula definition properties examples - Sep 17 2023

web oct 19 2023 vector addition in mathematics is the fundamental operation of vector algebra that is used to find the sum of two vectors vectors are mathematical quantities that have magnitude and direction a vector can be represented by a line with an arrow pointing towards its direction and its length represents the magnitude of the vector

**component addition i e analytical method of vector addition** - Aug 04 2022

web addition of three or more right angle vectors as our first example consider the following vector addition problem

example 1 a student drives his car 60 km north before making a right hand turn and driving 60 km to the east finally the

student makes a left hand turn and travels another 20 km to the north

**vector addition the physics classroom** - Aug 16 2023

web vector addition is one of the most common vector operations that a student of physics must master when adding vectors a head to tail method is employed the head of the second vector is placed at the tail of the first vector and the head of the third vector is placed at the tail of the second vector and so forth until all vectors have been

**vector addition formula vector sum addition of vectors** - Oct 18 2023

web if the vectors are in the component form then the vector sum formula is  $a_1 + b_1$   $a_2 + b_2$   $a_3 + b_3$  if the two vectors are arranged by attaching the head of one vector to the tail of the other then their sum is the vector that joins the

**vector addition parallelogram and triangle laws videos and** - Apr 12 2023

web answer according to the parallelogram law of vector addition if two vectors  $\vec{a}$  and  $\vec{b}$  represent two sides of a parallelogram in magnitude and direction then their sum  $\vec{a} + \vec{b}$  the diagonal of the parallelogram through their common point in magnitude and direction

vector addition head to tail method video tutorial the - Feb 10 2023

web the vector addition head to tail method video tutorial explains the principles that underly the addition of vector using a head to tail approach numerous examples and animations are provided to give deep meaning to the concept of head to tail addition

**vector addition from wolfram mathworld** - Jun 14 2023

web nov 10 2023 vector addition is the operation of adding two or more vectors together into a vector sum the so called parallelogram law gives the rule for vector addition of two or more vectors for two vectors  $a$  and  $b$  the vector sum  $a + b$  is obtained by placing them head to tail and drawing the vector from the free tail to the free head

*parallelogram law and vector addition analytical method vedantu* - Feb 27 2022

web nov 7 2023 the addition of physical quantities through mathematical operations is called vector addition vector addition involves only the vector quantities and not the scalar quantities vector quantities are added to determine the resultant direction and magnitude of

vector addition definition formula rules examples - Oct 06 2022

web vector addition can be defined as the procedure of adding two or more vectors vector addition formula for given points  $a_1 + b_1$   $a_2 + b_2$  according to the parallelogram law if two vectors can be represented as two adjacent sides from a common vertex and then completed as if they are forming a parallelogram then the sum can be

**addition of vectors laws graphical representation solved** - May 01 2022

web nov 9 2023 vector addition is commutative by this principle the order of vectors to be added does not impact the result

of the addition let two vectors  $p$  and  $q$  be added together then  $p + q = q + p$  vector addition is distributive it suggests the sum of two vectors equals the sum of the scalar times of the two vectors singularly

[parallelogram law of vector addition geeksforgeeks](#) - Mar 31 2022

web oct 16 2023 vector addition is a mathematical operation that combines two or more vectors to produce a new vector called resultant vector while we can simply add any two scalar quantities but while adding the two vectors we need to be careful about their direction which are given by their unit vectors

*1 7 hw key problems and answers prentice hall gold geometry* - Sep 22 2023

web iv answers may vary sample suppose  $a$  is at  $(2, 4)$   $(2, 5)$  which is a point in quadrant iii then  $b$  will be on the opposite side of the  $y$  axis at  $(4, 2)$   $(5, 2)$  in quadrant iv

*prentice hall gold geometry fill out sign online dochub* - Mar 04 2022

web click on new document and choose the file importing option upload prentice hall geometry answers pdf from your device the cloud or a protected url make adjustments to the sample use the top and left side panel tools

[prentice hall gold geometry answer key pdfiller](#) - May 06 2022

web prentice hall gold geometry is a high school mathematics textbook that covers the concepts and principles of geometry it is published by prentice hall a division of pearson education and is widely used in american schools

**prentice hall gold geometry workbook answer key pdfiller** - Oct 11 2022

web fill prentice hall gold geometry workbook answer key edit online sign fax and printable from pc ipad tablet or mobile with pdfiller instantly try now

[circlesprenticehallgoldgeometryanswers copy bb bravewords](#) - Apr 05 2022

web feb 2 2009 prentice hall geometry 2000 07 laurie e bass a dictionary of the english language 1851 noah webster a decade of the berkeley math circle 2008 11 26 zvezdelina stankova many mathematicians have been drawn to mathematics through their

*teacher resource sampler tools of geometry 1 pearson* - Mar 16 2023

web triangles are congruent justify your answers 8  $\Delta ghj \cong \Delta hji$  9 qrs 10 developing proof use the information given in the diagram give a reason that each statement is true a  $\angle q \cong \angle lnm$  b  $\angle nqp \cong \angle m$  c  $\angle p \cong \angle d$  d  $\angle lmq \cong \angle lnq$  e  $\angle lnm \cong \angle nqp$  prentice hall gold geometry teaching resources

**prentice hall gold geometry answer key form signnow** - Jul 08 2022

web prentice hall gold geometry workbook answer key check out how easy it is to complete and esign documents online using fillable templates and a powerful editor get everything done in minutes

**prentice hall geometry online textbook help study com** - Nov 12 2022

web apr 10 2023 course summary supplement what you re learning in math class with this prentice hall geometry online textbook help course the subjects covered in our short videos correspond to the chapters in

**prentice hall mathematics geometry 1st edition textbook chegg** - Oct 23 2023

web access prentice hall mathematics geometry 1st edition solutions now our solutions are written by chegg experts so you can be assured of the highest quality

*prentice hall geometry pearson plc* - Jul 20 2023

web welcome to geometry prentice hall geometry is part of an integrated digital and print environment for the study of high school mathematics take some time to look through the features of our mathematics program starting with powergeometry com the site of the digital features of the program

prentice hall geometry chapter 1 tools of geometry study com - Jan 14 2023

web test and improve your knowledge of prentice hall geometry chapter 1 tools of geometry with fun multiple choice exams you can take online with study com

**prentice hall geometry virginia edition 1st edition quizlet** - Aug 21 2023

web find step by step solutions and answers to prentice hall geometry virginia edition 9780132530811 as well as thousands of textbooks so you can move forward with confidence try the fastest way to create flashcards

*free prentice hall gold geometry practice answer workbook* - Sep 10 2022

web prentice hall gold geometry practice answer workbook geometry grade 3 jan 09 2022 the theorems and principles of basic geometry are clearly presented in this workbook along with examples and exercises for practice all concepts are explained in an easy to understand fashion to help students grasp geometry and

**prentice hall geometry pearson plc** - May 18 2023

web selected answers 6a the student used 6 instead of 2 6 8 2 6 8 as the preimage length in the denominator the correct scale factor is  $n \frac{2}{2} \frac{6}{6} \frac{1}{4} \frac{n}{2} \frac{2}{6} \frac{1}{4}$  b the student did not write the scale factor with the image length in the numerator the correct scale factor is  $n \frac{1}{4} \frac{n}{1} \frac{1}{4}$

prentice hall gold geometry answer key pdfiller - Dec 13 2022

web prentice hall gold geometry is a textbook designed to provide comprehensive instruction and practice in the subject of geometry the purpose of the book is to help high school students develop a deep understanding of geometric concepts and skills

*12 3 practice studyres* - Jun 19 2023

web m b c 12 m b m c d prentice hall gold geometry teaching find the measures of all three angles of the triangle explain how you got your answer prentice hall gold geometry 0022 hsm11gmtr 1203 indd geometry lesson 12 study guide unit 4a 4 5

week assessment inscribed angles analytic geometry name review for test circle

*prentice hall geometry pearson plc* - Feb 15 2023

web prentice hall geometry acknowledgments appear on pages 962 963 pearson prentice hall pearson prentice hall and mathxl are trademarks in the u s and or other countries exploring the area of a circle 10 7 areas of circles and sectors practice and problem solving exercises

*prentice hall gold geometry answer key form g pdffiller* - Jun 07 2022

web prentice hall gold geometry form g answers pdf download here prentice hall algebra 1 geometry and algebra 2 florida mypearsontraining com pdfs tg path progcompfl pdf and selected fill form g prentice hall

**prentice hall geometry chapter 12 circles study com** - Apr 17 2023

web identify the lessons in prentice hall geometry circles chapter with which you need help find the corresponding video lessons within this companion course chapter watch fun videos that cover the

**prentice hall gold geometry answer key fill online printable** - Aug 09 2022

web prentice hall gold geometry is a comprehensive high school geometry course that helps students learn and apply the concepts of geometry it is designed to give students the skills they need to succeed in geometry and other mathematics courses

**4d prediction to help you win 4d today ramalan 4d 4dpick** - Feb 14 2023

web people use to do so many things for magnum 4d prediction and toto 4d prediction ramalan 4d hari ini some of the popular method was use past results for 4d prediction for today it was the most common method of predicting a lottery number on the bases of past results this method has been used in so many different ways and styles

*Şans oyunları sonuçları loto türkiye lotom* - Nov 11 2022

web loto türkiye sonuçlarını sayfalarımızdan öğrenebilirsiniz milli piyango bütün çekiliş sonuçları ikramiyeler İsabetli tahminler tüm istatistikler sayısal loto Şans topu süper loto on numara sonuçları

**ramalan zodiak hari ini kamis 21 september 2023 aries pisces** - Jan 13 2023

web 20 hours ago ramalan zodiak hari ini selasa 19 september 2023 aries pisces ini adalah hari yang dibuat untuk cinta dan komitmen gemini dengan bulan di sagitarius hanya satu hari sebelum bulan seperempat ada kerinduan untuk menyegel kesepakatan dan menjadi satu kesatuan dengan seseorang yang anda cintai sungguh luar biasa

**ramalan 4d hari ini nombor ekor bertuah hari ini 4d13** - Mar 15 2023

web sep 18 2023 ramalan nombor ekor hari ini untuk grand dragon lotto perdana 4d magnum damacai toto dan loteri lain lain beli 4d online sekarang dengan nombor ekor bertuah hari ini da ma cai dan sports toto sudah tiba masanya untuk meningkatkan permainan anda dengan tools ramalan 4d 6 tips terbaik untuk meramalkan nombor 4d

carta ramalan 4d 2023 terbaru dan terbaik dato chai - Aug 20 2023

web kami membawakan anda carta ramalan gd lotto dan mkt 4d hari ini ramalan nombor ekor termasuk 5837 3416 8608 6496 9726 semoga berjaya

ramalan 4d hari ini nombor ekor bertuah hari ini gd4d - Dec 12 2022

web magnum da ma cai dan sports toto misalnya semuanya mempunyai penjana nombor sedia guna ini sekiranya anda mahu menang sudah tiba masanya untuk meningkatkan permainan anda analisis ini membolehkan anda mendapatkan formula ramalan 4d nombor ekor hari ini dan kaedah ramalan yang mungkin membantu anda untuk terus

*carta ramalan 4d magnum toto lotto hari ini beli 4d online - Mar 03 2022*

web oct 13 2020 jika naik bonus bagi anda semoga berjaya kena nombor menggunakan carta ramalan 4d magnum toto lotto hari ini yang kami berikan ini bayaran 4d rm3600 rm5100 rm8500 cara beli nombor 4d app cm android dan ios cm99 register beli nombor 4d secara online gd 4d 6d grand dragon lotto live 4d results

*lototurk com sayısal loto Şans topu on numara - Jul 07 2022*

web dünyanın en geniş kapsamlı loto sitesi sayısal loto Şans topu ve on numara Çekiliş sonuçları istatistikler analizler ve bilimsel ikramiye garantileme sistemleri büyük İkramiye nasıl kazanılır matematik ve istatistik yöntemlerle seçtiğiniz sisteme göre 3 4 5 veya 6 tuturmayı garantileyin

**carta 4d ramalan mkt magnum damacai and toto hari ini - Jun 06 2022**

web aug 18 2023 carta ramalan 4d your go to destination for correct numbers and carta ramalan 4d mtp mkt mkths magnum toto and damacai we are dedicated to providing you with accurate and reliable predictions to enhance your lottery gaming experience at carta ramalan 4d we understand the thrill and excitement that comes

*ramalan zodiak hari ini selasa 19 september 2023 cancer leo - Feb 02 2022*

web 2 days ago ramalan zodiak hari ini selasa 19 september 2023 cancer leo dan scorpio siap siap bertemu pasangan naomi ive br tarigan selasa 19 september 2023 06 00 00 wib ilustrasi bertemu dengan pasangan foto istimewa jakarta inews id ramalan zodiak hari ini buat kamu yang masih menantikan kehadiran pasangan

*prediksi balitoto keluaran togel hari ini prediksi balislot - Apr 16 2023*

web sep 14 2023 prediksi balislot keluaran togel hari ini ramalan prediksi togel live draw tercepat selamat datang di keluaran togel hari ini prediksi balislot atau yang dikenal juga dengan prediksi balitoto yang juga menghadirkan live draw data keluaran paito dan syair nah kini banyak penggemar togel online dapat memberinya kalian

**ramalan zodiak hari ini kamis 21 september 2023 gemini - Aug 08 2022**

web 22 hours ago jakarta inews id ramalan zodiak hari ini bawa keberuntungan buat kamu yang ketiban rezeki usaha dan kerja kerasmu selama ini akhirnya mendapatkan buah manis rezeki yang melimpah pasti diinginkan oleh siapa saja namun

rezeki pasti sudah ada yang mengaturnya

**carta ramalan 4d toto mkt perdana 4d hari ini 12 julai 2023** - May 17 2023

web jul 12 2023 today wednesday 12 july 2023 singapore 4d lotto prediction 4d lucky prediction chart of the day for sports toto brought by 4dramalan here you we gave you the singapore 4d pools lucky prediction numbers for sports toto mtp and mkths in this chart the given numbers will be more professional and profitable than other 4d lucky

**carta ramalan 4d blogger** - Sep 09 2022

web sep 18 2021 mtp 03 09 2023 carta dan 4d hit ramalan gdl perdana 02 09 2023 forecast chart mtp 02 09 2023 carta dan 4d hit ramalan gdl perdana 01 09 2023 forecast chart ogos 1 translate langgan catatan semua ulasan tema ringkas dikuasakan oleh

**ramalan toto situs prediksi togel dan syair** - Jul 19 2023

web sep 18 2023 dan juga memberikan bocoran togel yang kemungkinan akan hadir pada periode hari ini kesimpulannya semua read post prediksi togel ibiza selasa 19 september 2023 ramalantoto88 ramalantoto88 september 19 2023 88togel buku mimpi 2d buku mimpi 3d buku mimpi 4d prediksi togel ibiza result syair

**carta ramalan 4d carta ramalan mkt 4d magnum 4d toto and damacai hari** - Oct 10 2022

web aug 22 2023 ramalan 4d provide you with a comprehensive guide on how to harness the power of our predictions discover the art of choosing your numbers crafting combinations that align with our insights and navigating the landscape of sports toto with strategic precision the journey from prediction to victory begins here sports toto 4d

**carta palnbee just another wordpress site** - Jun 18 2023

web sep 18 2021 carta ramalan mtp cartaplanbee sabtu 16 september 2023 carta ramalan 4d untuk magnum m toto t dan baca lagi gdl perdana 15 09 2023 forecast chart september 15 2023 by admin cartaplanbee friday 15th september 2023 forecast chart for grand dragon lotto and perdana

*ramalan zodiak hari ini 21 september 2023 keberuntungan* - Jan 01 2022

web sep 21 2023 tribunnews com berikut ramalan zodiak hari ini 21 september 2023 untuk 12 bintang setiap orang memiliki zodiak yang berbeda sesuai dengan tanggal dan bulan kelahiran dalam astrologi terdapat

*ramazan İmsakiyesi 2023 sahur vakitleri ve İftar saatleri cnn* - Apr 04 2022

web ramazan imsakiyesi sayfamız ile 2023 te iftar ve sahur saatlerini öğrenebilirsiniz İl ve ilçe seçimi yaparak en doğru saatleri için ziyaret edebilirsiniz

**carta 4d mkt magnum toto damacai hari ini 29 july 2023** - May 05 2022

web jul 28 2023 carta ramalan toto carta 4d damacai 29 07 2023 we are so glad to see you here once again our ramalan 4d team going to share magnum 4d prediction numbers of malaysia lotto mtp mkths carta ramalan lotto carta 4d magnum lotto

sports toto carta cai and carta da ma cai by carta ramalan 4d