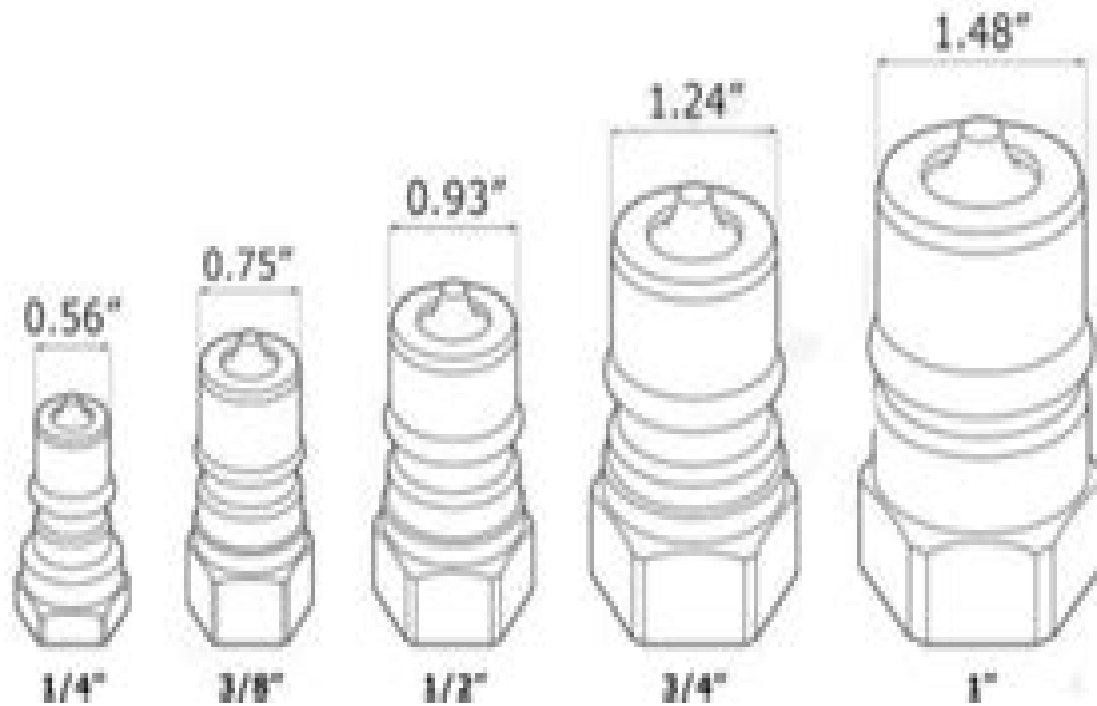


**ISO 7241-1 B Series**  
*Summit B Series*

**Equivalent To:**  
 Parker 60 Series  
 Faster HNV Series  
 Safeway S10 Series  
 Aeroquip 5FD45Series  
 Snap-Tite 72 Series

**ISO 7241-1 B Series**  
*Summit B Series*



# Iso 7241 1 Series B Quick Disconnect

**McMaster-Carr Supply Company**



## **Iso 7241 1 Series B Quick Disconnect:**

**An Introduction to Sustainable Design of Data Centers for Professional Engineers** J. Paul Guyer, P.E., R.A.,2024-04-29 Introductory technical guidance for professional engineers interested in design of electronic data processing centers Here is what is discussed 1 INTRODUCTION 2 OVERVIEW OF FUNCTIONAL REQUIREMENTS 3 CONSIDERATIONS IN THE DESIGN OR RETROFIT OF A DATA CENTER 4 COMPUTATIONAL FLUID DYNAMICS MODELING OPTIMIZING FACILITY DESIGN PARAMETERS 5 FACILITY DESIGN ASPECTS 6 GUIDELINES FOR EQUIPMENT OPERATING ENVIRONMENTS 7 AIRFLOW DESIGN AND MANAGEMENT 8 HOT AISLE COLD AISLE RACK ARRANGEMENT

**Thomas Register of American Manufacturers** ,2002 This basic source for identification of U S manufacturers is arranged by product in a large multi volume set Includes Products services Company profiles and Catalog file

**Thomas Register of American Manufacturers and Thomas Register Catalog File** ,2002 Vols for 1970 71 includes manufacturers catalogs

**Catalog** McMaster-Carr Supply Company,1996 Thomas Register ,2004 ISO Catalogue International Organization for Standardization,1997 Design News ,1997 Canadian Forest Industries ,1995 Catalogue International Organization for Standardization,2008 Kwic Index of International Standards International Organization for Standardization,International Electrotechnical Commission,1991

**Proceedings of the National Conference on Fluid Power** ,2000 **Products and Services Catalogue** ,2001 Popular Photography ,1985-08

Iso 7241 1 Series B Quick Disconnect: Bestsellers in 2023 The year 2023 has witnessed a remarkable surge in literary brilliance, with numerous engrossing novels captivating the hearts of readers worldwide. Lets delve into the realm of popular books, exploring the fascinating narratives that have captivated audiences this year. The Must-Read : Colleen Hoover's "It Ends with Us" This heartfelt tale of love, loss, and resilience has captivated readers with its raw and emotional exploration of domestic abuse. Hoover masterfully weaves a story of hope and healing, reminding us that even in the darkest of times, the human spirit can prevail. Uncover the Best : Taylor Jenkins Reids "The Seven Husbands of Evelyn Hugo" This spellbinding historical fiction novel unravels the life of Evelyn Hugo, a Hollywood icon who defies expectations and societal norms to pursue her dreams. Reids captivating storytelling and compelling characters transport readers to a bygone era, immersing them in a world of glamour, ambition, and self-discovery. Discover the Magic : Delia Owens "Where the Crawdads Sing" This mesmerizing coming-of-age story follows Kya Clark, a young woman who grows up alone in the marshes of North Carolina. Owens crafts a tale of resilience, survival, and the transformative power of nature, captivating readers with its evocative prose and mesmerizing setting. These popular novels represent just a fraction of the literary treasures that have emerged in 2023. Whether you seek tales of romance, adventure, or personal growth, the world of literature offers an abundance of compelling stories waiting to be discovered. The novel begins with Richard Papen, a bright but troubled young man, arriving at Hampden College. Richard is immediately drawn to the group of students who call themselves the Classics Club. The club is led by Henry Winter, a brilliant and charismatic young man. Henry is obsessed with Greek mythology and philosophy, and he quickly draws Richard into his world. The other members of the Classics Club are equally as fascinating. Bunny Corcoran is a wealthy and spoiled young man who is always looking for a good time. Charles Tavis is a quiet and reserved young man who is deeply in love with Henry. Camilla Macaulay is a beautiful and intelligent young woman who is drawn to the power and danger of the Classics Club. The students are all deeply in love with Morrow, and they are willing to do anything to please him. Morrow is a complex and mysterious figure, and he seems to be manipulating the students for his own purposes. As the students become more involved with Morrow, they begin to commit increasingly dangerous acts. The Secret History is an exceptional and gripping novel that will keep you guessing until the very end. The novel is a warning tale about the dangers of obsession and the power of evil.

[https://splashdogs.com/files/Resources/Download\\_PDFS/march%20edexcel%20maths%20calculator%20paper%20h.pdf](https://splashdogs.com/files/Resources/Download_PDFS/march%20edexcel%20maths%20calculator%20paper%20h.pdf)

---

**Table of Contents Iso 7241 1 Series B Quick Disconnect**

1. Understanding the eBook Iso 7241 1 Series B Quick Disconnect
  - The Rise of Digital Reading Iso 7241 1 Series B Quick Disconnect
  - Advantages of eBooks Over Traditional Books
2. Identifying Iso 7241 1 Series B Quick Disconnect
  - Exploring Different Genres
  - Considering Fiction vs. Non-Fiction
  - Determining Your Reading Goals
3. Choosing the Right eBook Platform
  - Popular eBook Platforms
  - Features to Look for in an Iso 7241 1 Series B Quick Disconnect
  - User-Friendly Interface
4. Exploring eBook Recommendations from Iso 7241 1 Series B Quick Disconnect
  - Personalized Recommendations
  - Iso 7241 1 Series B Quick Disconnect User Reviews and Ratings
  - Iso 7241 1 Series B Quick Disconnect and Bestseller Lists
5. Accessing Iso 7241 1 Series B Quick Disconnect Free and Paid eBooks
  - Iso 7241 1 Series B Quick Disconnect Public Domain eBooks
  - Iso 7241 1 Series B Quick Disconnect eBook Subscription Services
  - Iso 7241 1 Series B Quick Disconnect Budget-Friendly Options
6. Navigating Iso 7241 1 Series B Quick Disconnect eBook Formats
  - ePub, PDF, MOBI, and More
  - Iso 7241 1 Series B Quick Disconnect Compatibility with Devices
  - Iso 7241 1 Series B Quick Disconnect Enhanced eBook Features
7. Enhancing Your Reading Experience
  - Adjustable Fonts and Text Sizes of Iso 7241 1 Series B Quick Disconnect
  - Highlighting and Note-Taking Iso 7241 1 Series B Quick Disconnect
  - Interactive Elements Iso 7241 1 Series B Quick Disconnect
8. Staying Engaged with Iso 7241 1 Series B Quick Disconnect

- Joining Online Reading Communities
  - Participating in Virtual Book Clubs
  - Following Authors and Publishers Iso 7241 1 Series B Quick Disconnect
9. Balancing eBooks and Physical Books Iso 7241 1 Series B Quick Disconnect
- Benefits of a Digital Library
  - Creating a Diverse Reading Collection Iso 7241 1 Series B Quick Disconnect
10. Overcoming Reading Challenges
- Dealing with Digital Eye Strain
  - Minimizing Distractions
  - Managing Screen Time
11. Cultivating a Reading Routine Iso 7241 1 Series B Quick Disconnect
- Setting Reading Goals Iso 7241 1 Series B Quick Disconnect
  - Carving Out Dedicated Reading Time
12. Sourcing Reliable Information of Iso 7241 1 Series B Quick Disconnect
- Fact-Checking eBook Content of Iso 7241 1 Series B Quick Disconnect
  - Distinguishing Credible Sources
13. Promoting Lifelong Learning
- Utilizing eBooks for Skill Development
  - Exploring Educational eBooks
14. Embracing eBook Trends
- Integration of Multimedia Elements
  - Interactive and Gamified eBooks

### **Iso 7241 1 Series B Quick Disconnect Introduction**

In the digital age, access to information has become easier than ever before. The ability to download Iso 7241 1 Series B Quick Disconnect has revolutionized the way we consume written content. Whether you are a student looking for course material, an avid reader searching for your next favorite book, or a professional seeking research papers, the option to download Iso 7241 1 Series B Quick Disconnect has opened up a world of possibilities. Downloading Iso 7241 1 Series B Quick Disconnect provides numerous advantages over physical copies of books and documents. Firstly, it is incredibly convenient. Gone are the days of carrying around heavy textbooks or bulky folders filled with papers. With the click of a

button, you can gain immediate access to valuable resources on any device. This convenience allows for efficient studying, researching, and reading on the go. Moreover, the cost-effective nature of downloading Iso 7241 1 Series B Quick Disconnect has democratized knowledge. Traditional books and academic journals can be expensive, making it difficult for individuals with limited financial resources to access information. By offering free PDF downloads, publishers and authors are enabling a wider audience to benefit from their work. This inclusivity promotes equal opportunities for learning and personal growth. There are numerous websites and platforms where individuals can download Iso 7241 1 Series B Quick Disconnect. These websites range from academic databases offering research papers and journals to online libraries with an expansive collection of books from various genres. Many authors and publishers also upload their work to specific websites, granting readers access to their content without any charge. These platforms not only provide access to existing literature but also serve as an excellent platform for undiscovered authors to share their work with the world. However, it is essential to be cautious while downloading Iso 7241 1 Series B Quick Disconnect. Some websites may offer pirated or illegally obtained copies of copyrighted material. Engaging in such activities not only violates copyright laws but also undermines the efforts of authors, publishers, and researchers. To ensure ethical downloading, it is advisable to utilize reputable websites that prioritize the legal distribution of content. When downloading Iso 7241 1 Series B Quick Disconnect, users should also consider the potential security risks associated with online platforms. Malicious actors may exploit vulnerabilities in unprotected websites to distribute malware or steal personal information. To protect themselves, individuals should ensure their devices have reliable antivirus software installed and validate the legitimacy of the websites they are downloading from. In conclusion, the ability to download Iso 7241 1 Series B Quick Disconnect has transformed the way we access information. With the convenience, cost-effectiveness, and accessibility it offers, free PDF downloads have become a popular choice for students, researchers, and book lovers worldwide. However, it is crucial to engage in ethical downloading practices and prioritize personal security when utilizing online platforms. By doing so, individuals can make the most of the vast array of free PDF resources available and embark on a journey of continuous learning and intellectual growth.

### **FAQs About Iso 7241 1 Series B Quick Disconnect Books**

How do I know which eBook platform is the best for me? Finding the best eBook platform depends on your reading preferences and device compatibility. Research different platforms, read user reviews, and explore their features before making a choice. Are free eBooks of good quality? Yes, many reputable platforms offer high-quality free eBooks, including classics and public domain works. However, make sure to verify the source to ensure the eBook credibility. Can I read eBooks without an eReader? Absolutely! Most eBook platforms offer webbased readers or mobile apps that allow you to read

eBooks on your computer, tablet, or smartphone. How do I avoid digital eye strain while reading eBooks? To prevent digital eye strain, take regular breaks, adjust the font size and background color, and ensure proper lighting while reading eBooks. What the advantage of interactive eBooks? Interactive eBooks incorporate multimedia elements, quizzes, and activities, enhancing the reader engagement and providing a more immersive learning experience. Iso 7241 1 Series B Quick Disconnect is one of the best book in our library for free trial. We provide copy of Iso 7241 1 Series B Quick Disconnect in digital format, so the resources that you find are reliable. There are also many Ebooks of related with Iso 7241 1 Series B Quick Disconnect. Where to download Iso 7241 1 Series B Quick Disconnect online for free? Are you looking for Iso 7241 1 Series B Quick Disconnect PDF? This is definitely going to save you time and cash in something you should think about. If you trying to find then search around for online. Without a doubt there are numerous these available and many of them have the freedom. However without doubt you receive whatever you purchase. An alternate way to get ideas is always to check another Iso 7241 1 Series B Quick Disconnect. This method for see exactly what may be included and adopt these ideas to your book. This site will almost certainly help you save time and effort, money and stress. If you are looking for free books then you really should consider finding to assist you try this. Several of Iso 7241 1 Series B Quick Disconnect are for sale to free while some are payable. If you arent sure if the books you would like to download works with for usage along with your computer, it is possible to download free trials. The free guides make it easy for someone to free access online library for download books to your device. You can get free download on free trial for lots of books categories. Our library is the biggest of these that have literally hundreds of thousands of different products categories represented. You will also see that there are specific sites catered to different product types or categories, brands or niches related with Iso 7241 1 Series B Quick Disconnect. So depending on what exactly you are searching, you will be able to choose e books to suit your own need. Need to access completely for Campbell Biology Seventh Edition book? Access Ebook without any digging. And by having access to our ebook online or by storing it on your computer, you have convenient answers with Iso 7241 1 Series B Quick Disconnect To get started finding Iso 7241 1 Series B Quick Disconnect, you are right to find our website which has a comprehensive collection of books online. Our library is the biggest of these that have literally hundreds of thousands of different products represented. You will also see that there are specific sites catered to different categories or niches related with Iso 7241 1 Series B Quick Disconnect So depending on what exactly you are searching, you will be able tochoose ebook to suit your own need. Thank you for reading Iso 7241 1 Series B Quick Disconnect. Maybe you have knowledge that, people have search numerous times for their favorite readings like this Iso 7241 1 Series B Quick Disconnect, but end up in harmful downloads. Rather than reading a good book with a cup of coffee in the afternoon, instead they juggled with some harmful bugs inside their laptop. Iso 7241 1 Series B Quick Disconnect is available in our book collection an online access to it is set as public so you can download it instantly. Our digital library spans in multiple locations, allowing you to get the most less latency time to



download any of our books like this one. Merely said, Iso 7241 1 Series B Quick Disconnect is universally compatible with any devices to read.

**Find Iso 7241 1 Series B Quick Disconnect :**

[march 2edexcel maths calculator paper 2h](#)

**march 2grade 1caps mathematics question paper one two**

**mapp and lucia**

[manuale di officina malaguti phantom f12 euro 2](#)

**march 2014 physical science common paper and memorandum for grade 12 government**

*manuel automobile haynes 36034*

**manuale del geometra torrent**

~~manually install windows defender updates~~

[marble champ short story](#)

[mapping the social landscape 7th edition](#)

[manuale opel zafira ecom](#)

[marantz dr4050 cd recorder service manual](#)

[manuale fiat bravo 1997](#)

*maple story guide for gunslinger*

**manually manage itunes 11**

**Iso 7241 1 Series B Quick Disconnect :**

[mercury mariner 30 hp 2 cylinder outboard service manual](#) - Dec 07 2022

web this manual for mercury mariner 30 hp 2 cylinder outboard has been issued to provide you with technical information regarding the design function disassembly adjusting work and troubleshooting on the components and model of the mercury mariner 30 hp 2

*mercury mariner 30 hp jet 4 cylinder outboard service manual* - Jan 08 2023

web manual covers the repair and overhaul of mercury mariner 30 hp jet 4 cylinder outboard cars and assumes that the technician is fully conversant with general automobile practices the repair procedures outlined in this manual emphasize the special aspects of the product

---

**25 30 2 stroke brunswick corporation** - Aug 15 2023

web outboard this manual has been prepared to assist you in the operation 25 30 2 stroke 90 10261080 1008 ii warranty message the product you have purchased comes with a limited warranty mariner quicksilver 1 on the water alpha bravo pro max

*mercury 30hp service repair workshop manuals emanualonline* - Aug 03 2022

web mercury mariner 30 hp 4 stroke outboard 99 03 service manual 31 99

**mariner outboard manuals 1970 2005 download or purchase** - Jul 02 2022

web mariner outboard manuals mariner marine outboards are known for their durability reliability and ease of operation browse service repair and operation handbooks for mariner outboards available to purchase or some available for free download

**mercury 30 service manual pdf download manualslib** - Sep 16 2023

web view and download mercury 30 service manual online 30 outboard motor pdf manual download also for 40

**mariner 30 jet 40 4 cyl service manual pdf download** - Apr 11 2023

web view and download mariner 30 jet 40 4 cyl service manual online 30 jet 40 4 cyl outboard motor pdf manual download

*mercury mariner outboard 30 hp 1994 1997 haynes repair manuals* - Feb 09 2023

web this mercury mariner manual is 712 pages quick reference data chapter one general information manual organization notes cautions and warnings torque specifications engine operation fasteners lubricants gasket sealant galvanic corrosion propellers specificaitons chapter two tools and techniques

**mariner outboard 25c 30hp owners manual 1979** - May 12 2023

web mariner operations and maintenance manual for the 25c 30hp models from 1979 36 pages of operating instructions and a troubleshooting checklist download pdf or purchase outboard manuals net

**mercury 30hp service repair manual pdf just give me the damn manual** - Jun 13 2023

web 1992 2000 mercury mariner outboard 30hp 2 cyl 2 stroke engine service repair manual original fsm contains everything you will need to repair maintain your outboard engine perfect for diy download now 2010 2015 mercury 30hp

**mercury mariner 30 hp 4 stroke outboard 99 03 service manual** - Oct 05 2022

web description mercury mariner 30 hp 4 stroke outboard 1999 2000 2001 2002 2003 workshop service manual manual covers the repair and overhaul of mercury mariner 30 hp 4 stroke outboard 1999 2000 2001 2002 2003 cars and assumes that the technician is fully conversant with general automobile practices

**30 hp mariner outboards** - Jul 14 2023

web propshaft rated horsepower 30hp 22 5kw max rpm wot 5150 5850 cylinder configuration 2 displacement cid cc 26 3 cu

in 430cc bore stroke 68mm x 59mm cooling system water cooled w thermostat pressure controlled ignition capacitor discharge starting manual or electric gear ratio 1 92 1 gear shift f n r

**mariner outboard owner parts service manual directory watercraft manuals** - Nov 06 2022

web mariner outboard boat motor manuals boat motor owner operation workshop service repair and parts manuals directory jump to mariner service manual directory mariner marine outboard motor model identification mariner outboard production sales 1974 on australian market 1976 1999 usa market 1976 on european market

mariner outboard 30 hp mariner forums iboats boating forums - Mar 30 2022

web mariner outboard 30 hp forum topics mariner outboard parts lower units boat propellers mariner manuals mariner outboards 30 hp no results to display 30 hp related links 30 hp johnson outboards 30 hp mercury outboards 30 hp mariner outboards 30 hp yamaha outboards 30 hp suzuki

mariner 25 30hp - Jun 01 2022

web marine engine look up guide mariner 25 30hp model hp serial number year 25 m 648 11671 648 14070

**mariner 30 hp 2 cylinder outboard motor parts by serial** - Feb 26 2022

web we offer the largest selection of old stock quicksilver original parts and quality discount aftermarket parts by sierra marine mallory marine and cdi electronics lookup mariner 30 hp 2 cyl outboard motor parts by serial number range and buy discount parts from our large online inventory

*mariner outboard engines service and owner s manuals pdf* - Oct 17 2023

web mariner outboard engines service manuals pdf workshop manual owners guide manual repair manual parts catalogs wiring diagrams and fault codes free download pdf

download mariner outboard repair manuals - Apr 30 2022

web a downloadable marine outboard repair manual is a book of instructions consisting of product specifications maintenance procedures troubleshooting guide and step by step directions to fix service and tune your outboard motor back to working order

**mercury mariner 30 hp 4 stroke 1999 2003 service manual** - Sep 04 2022

web this manual for mercury mariner 30 hp 4 stroke outboard 1999 2000 2001 2002 2003 has been issued to provide you with technical information regarding the design function disassembly adjusting work and troubleshooting on the components and model of the mercury mariner 30 hp 4 stroke outboard 1999 2000 2001 2002 2003

mariner outboard service manual watercraft manuals - Mar 10 2023

web mariner outboard motor service manual manual format pdf document service manual contents 131 pages engine type 2 cycle horsepower models 25hp 430cc 30hp 496cc 1980 1981 1982 1983 1984 1985 1986 1987 1988 1989 number of

---

cylinders 2 drive unit f n r description troubleshooting workshop manual

**6 24 2020 revisions see page 2** - Aug 11 2022

polyethylene piping for oil and gas all the basics to understand pe pipe materials codes and standards joining handling and installation for oil and gas applications randy knapp

**second edition handbook of pe pipe 2008 plastic pipe** - Dec 03 2021

some polyethylene piping materials are stress rated at temperatures as high as 180 f for more information regarding these materials and their use the reader is referred to ppi tr 4

hvac applications of polyethylene pipe - Jan 04 2022

foreword pe handbook errata sheet chapter 1 introduction chapter 2 inspections tests and safety considerations chapter 3 material properties chapter 4 pe pipe and fittings

hdpe handbook engineering design handbook of - Dec 15 2022

published by the plastics pipe institute ppi the handbook describes how polyethylene piping systems continue to provide utilities with a cost effective solution to rehabilitate the

*handbook of polyethylene pipe water online* - Oct 13 2022

foreword 3handbook of polyethylene pipe the plastics pipe institute this handbook has been developed as a result of a task group initiative within theplastics pipe institute ppi

**download hdpe handbook chapters plastic pipe** - Aug 23 2023

plastics pipe institute handbook of polyethylene pipe the plastics pipe institute handbook of polyethylene pipe is a comprehensive guide to the use of smoothwall hdpe

**handbook of pe pipe table of contents plastic pipe** - Jun 21 2023

chapter 3 of the second edition handbook of pe pipe provides a comprehensive overview of the material properties of polyethylene pe piping systems including mechanical thermal

**table of contents plastics industry pipe association of australia** - Jun 09 2022

jul 17 2014 handbook of polyethylene pe pipe published by the plastics pipe institute ppi the handbook describes how polyethylene piping systems continue to provide utilities

**handbook of polyethylene pipe google books** - Nov 14 2022

the ppi handbook of polyethylene pipe is a comprehensive instructional manual covering a wide range of applications and problem solving solutions for users of polyethylene pipe

ppi handbook of polyethylene pipe 2nd ed pdf scribd - Sep 12 2022

ppi handbook of polyethylene pipe 2nd ed chapter 6 design of pe piping systems page 217 the equation for calculating  $\Delta x$  d m

uses the apparent modulus for the condition of a

**chapter 6 design of pe piping systems plastic pipe** - Apr 19 2023

standard specifications standard test methods and codes for pe polyethylene piping systems introduction the specification design and use of pe piping systems is addressed

**chapter 3 material properties plastic pipe** - May 20 2023

polyethylene pipe made to dimension ratio dr specifications in accordance with the previously referenced standards in these standards pipe dimensions are specified as average outside

**pe handbook plastic pipe** - Sep 24 2023

second edition handbook of pe pipe 2008 return to all publications published by the plastics pipe institute ppi the handbook describes how polyethylene piping systems

**ppi handbook of polyethylene pipe hvac applications** - Feb 05 2022

ppi handbook of hvac applications of polyethylene pipe hvac applications is one of the chapters in the plastics pipe institute s ppi handbook of polyethylene piping

**plastics pipe institute handbook of polyethylene pipe** - Jul 22 2023

foreword the plastics pipe institute handbook of polyethylene pipe chapter 1 introduction 5 features and benefits of pe pipe 6 references 13 chapter 2 inspections tests and safety

*ppi home plastic pipe* - Jan 16 2023

the 2nd edition of the handbook of polyethylene pipe will assist engineers contractors and owners in designing and building reliable pe piping systems for multiple applications as

**ppi elearn plastic pipe** - Jul 10 2022

this handbook will cover other uses of polyethylene piping systems including municipal mining and industrial applications other topics to be addressed in the handbook will include

*handbook of pe pipe eep electrical engineering portal* - May 08 2022

the handbooks of pe pipe were released by plastic pipe institute as a guide for those seeking to use these pipes in the industry in these handbooks the advantages of pe pipes are

*handbook of pe pipe and hdpe pipe* - Apr 07 2022

download view ppi handbook of polyethylene pipe 2nd ed as pdf for free more details words 260 205 pages 626 preview full text

**ppi handbook of polyethylene pipe 2nd ed documents and** - Mar 06 2022

hvac applications is one of the chapters in the plastics pipeinstitute s ppi handbook of polyethylene piping other topics to

beaddressed in the handbook will include design of

**chapter 6 design of pe piping systems** [xxxx xxxxx x xxxxx](#) - Nov 02 2021

*second edition handbook of pe pipe hdpe handbook* - Feb 17 2023

handbook of polyethylene pipe your authoritative guide on polyethylene pipe click to purchase plastic piping systems are sustainable environmentally

**chapter 5 standard specifications standad test plastic pipe** - Mar 18 2023

second edition handbook of pe pipe 2008 return to all publication published by the plastics pipe institute ppi the handbook describes how polyethylene piping systems

**dorothy day author of the long loneliness goodreads** - Jul 26 2022

web website cjd org brochure html genre biographies memoirs nonfiction religion spirituality edit data dorothy day was an american journalist social activist and anarchist who after a bohemian youth became a catholic christian without in any way abandoning her social and anarchist activism

[the long loneliness harpercollins](#) - Sep 27 2022

web jun 27 2017 the long loneliness by dorothy day on sale june 27 2017 12 99 spend 49 on print products and get free shipping at hc com format how our ebooks work qty add to cart about product details reviews the compelling autobiography of a remarkable catholic woman sainted by many who championed the rights of the poor in

**a life for the poor dorothy day oxford academic** - Feb 18 2022

web oct 20 2022 abstract in dorothy day s the long loneliness one woman s story mirrors decades of american history the roaring twenties the great depression and world war ii all of it viewed through the prism of a life given in service to the poor the unforgiving density of her world with its poverty war and social radicalism creates the

[the long loneliness wikipedia](#) - Oct 09 2023

web the long loneliness is the autobiography of dorothy day published in 1952 by harper brothers in the book day chronicles her involvement in socialist groups along with her eventual conversion to catholicism in 1927 and the beginning of her newspaper the catholic worker in 1933 1 2

**the long loneliness the autobiography of dorothy day** - Aug 27 2022

web about the author 1952 after leading a bohemian life as a young woman day turned to the catholic church knowing it meant the end for her common law marriage to a devout atheist as a woman with socialistic anarchistic leanings day met peter maurin a man rooted in catholic traditions and together they founded the catholic worker catholic

*the long loneliness dorothy day google books* - Jun 05 2023

web jun 27 2017 the long loneliness dorothy day google books the compelling autobiography of a remarkable catholic woman sainted by many who championed the rights of the poor in america s inner cities

**the long loneliness dorothy day** - May 04 2023

web sep 1 2009 the long loneliness recounts her remarkable journey from the greenwich village political and literary scene of the 1920s through her conversion to catholicism and her lifelong struggle to help bring about the kind

**the long loneliness by dorothy day open library** - Feb 01 2023

web jan 15 1997 the long loneliness by dorothy day 5 00 1 rating 25 want to read 2 currently reading 2 have read

[the long loneliness the autobiography of dorothy day](#) - Oct 29 2022

web the founder of the catholic worker movement recounts her experiences as a young journalist her conversion to catholicism and the circumstances that led to her political activism reprint originally published in 1952 by harper new york

includes index notes text are close to the gutter inherent from the source access restricted item true

[the long loneliness summary enotes com](#) - Apr 03 2023

web summary pdf cite share d reynolds m a certified educator last updated september 5 2023 in the long loneliness dorothy day founder of the catholic worker movement recounts the story of

*the long loneliness the autobiography of the legendary* - Jul 06 2023

web the long loneliness recounts her remarkable journey from the greenwich village political and literary scene of the 1920s through her conversion to catholicism and her lifelong struggle to help bring about the kind of society where it is easier to be good description from amazon show more

**the long loneliness analysis enotes com** - Nov 29 2022

web dive deep into dorothy day s the long loneliness with extended analysis commentary and discussion select an area of the website to search search this site go start an essay ask a question

**dorothy day quotes author of the long loneliness goodreads** - Mar 22 2022

web we have all known the long loneliness and we have learned that the only solution is love and that love comes with community dorothy day the long loneliness the autobiography of the legendary catholic social activist tags community loneliness

*the long loneliness the autobiography of dorothy day* - Sep 08 2023

web the long loneliness the autobiography of dorothy day by day dorothy 1897 1980 publication date 1981 topics day dorothy 1897 1980 catholic converts publisher san francisco harper row collection printdisabled internetarchivebooks contributor

internet archive language english reprint originally published in 1952 by harper new york

**books by dorothy day author of the long loneliness goodreads** - Jun 24 2022

---

web dorothy day average rating 4 07 9 314 ratings 1 025 reviews shelved 32 217 times showing 30 distinct works previous 1 2 3 next sort by the long loneliness the autobiography of the legendary catholic social activist by dorothy day 4 01 avg rating 5 081 ratings published 1952 46 editions

**the long loneliness quotes by dorothy day goodreads** - Apr 22 2022

web the long loneliness quotes showing 1 29 of 29 we have all known the long loneliness and we have learned that the only solution is love and that love comes with community dorothy day the long loneliness the autobiography of the legendary catholic social activist tags community loneliness love 256 likes like

the long loneliness summary and study guide supersummary - Aug 07 2023

web the long loneliness by dorothy day is a memoir about day s lifelong relationship with christianity and how it pulled her away from communism and socialism toward a movement that combined political theory with christian love and community

*the long loneliness google books* - Dec 31 2022

web dec 6 1996 the long loneliness dorothy day limited preview 2017 dorothy day is a modern catholic saint in the tradition of st francis her book is an absorbingly well written series of pictures of her work and that of those she has gathered around her connection with the catholic worker its hospitality house and its community farm

**the long loneliness the autobiography of dorothy day summary** - May 24 2022

web the long loneliness is the autobiography of dorothy day 1891 1980 who was a devout convert to catholicism anarchist distributivist social activist and american journalist she is famous not only for her writing and social activism but for founding the newspaper the catholic worker with her friend peter maurin which advocated nonviolence

*the long loneliness the autobiography of the legendary* - Mar 02 2023

web sep 1 2009 the long loneliness is the autobiography of catholic social activist dorothy day 1897 1980 day was the co founder of the catholic worker movement which beginning in 1933 established grassroots autonomous communities that realized catholic social teaching through outreach to the poor and disenfranchised