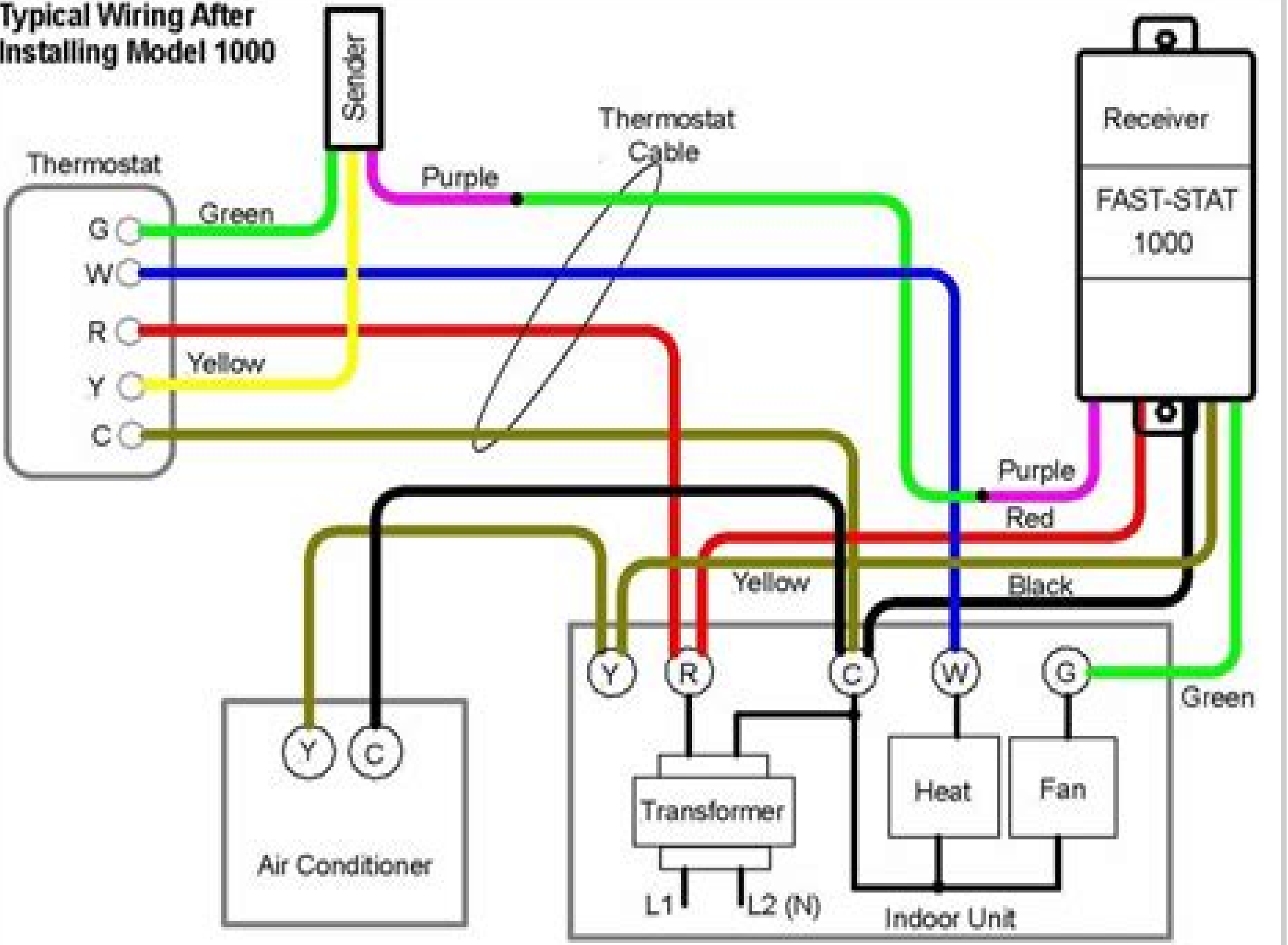


Typical Wiring After Installing Model 1000



Mazda 626 1994 Model Air Conditioning Wiring Diagram

S Marginson



Mazda 626 1994 Model Air Conditioning Wiring Diagram:

Discover tales of courage and bravery in is empowering ebook, Stories of Fearlessness: **Mazda 626 1994 Model Air Conditioning Wiring Diagram** . In a downloadable PDF format (*), this collection inspires and motivates. Download now to witness the indomitable spirit of those who dared to be brave.

https://splashdogs.com/book/publication/Download_PDFS/kone_elevator_parts_manual.pdf

Table of Contents Mazda 626 1994 Model Air Conditioning Wiring Diagram

1. Understanding the eBook Mazda 626 1994 Model Air Conditioning Wiring Diagram
 - The Rise of Digital Reading Mazda 626 1994 Model Air Conditioning Wiring Diagram
 - Advantages of eBooks Over Traditional Books
2. Identifying Mazda 626 1994 Model Air Conditioning Wiring Diagram
 - Exploring Different Genres
 - Considering Fiction vs. Non-Fiction
 - Determining Your Reading Goals
3. Choosing the Right eBook Platform
 - Popular eBook Platforms
 - Features to Look for in an Mazda 626 1994 Model Air Conditioning Wiring Diagram
 - User-Friendly Interface
4. Exploring eBook Recommendations from Mazda 626 1994 Model Air Conditioning Wiring Diagram
 - Personalized Recommendations
 - Mazda 626 1994 Model Air Conditioning Wiring Diagram User Reviews and Ratings
 - Mazda 626 1994 Model Air Conditioning Wiring Diagram and Bestseller Lists
5. Accessing Mazda 626 1994 Model Air Conditioning Wiring Diagram Free and Paid eBooks
 - Mazda 626 1994 Model Air Conditioning Wiring Diagram Public Domain eBooks
 - Mazda 626 1994 Model Air Conditioning Wiring Diagram eBook Subscription Services
 - Mazda 626 1994 Model Air Conditioning Wiring Diagram Budget-Friendly Options
6. Navigating Mazda 626 1994 Model Air Conditioning Wiring Diagram eBook Formats

- ePub, PDF, MOBI, and More
 - Mazda 626 1994 Model Air Conditioning Wiring Diagram Compatibility with Devices
 - Mazda 626 1994 Model Air Conditioning Wiring Diagram Enhanced eBook Features
7. Enhancing Your Reading Experience
 - Adjustable Fonts and Text Sizes of Mazda 626 1994 Model Air Conditioning Wiring Diagram
 - Highlighting and Note-Taking Mazda 626 1994 Model Air Conditioning Wiring Diagram
 - Interactive Elements Mazda 626 1994 Model Air Conditioning Wiring Diagram
 8. Staying Engaged with Mazda 626 1994 Model Air Conditioning Wiring Diagram
 - Joining Online Reading Communities
 - Participating in Virtual Book Clubs
 - Following Authors and Publishers Mazda 626 1994 Model Air Conditioning Wiring Diagram
 9. Balancing eBooks and Physical Books Mazda 626 1994 Model Air Conditioning Wiring Diagram
 - Benefits of a Digital Library
 - Creating a Diverse Reading Collection Mazda 626 1994 Model Air Conditioning Wiring Diagram
 10. Overcoming Reading Challenges
 - Dealing with Digital Eye Strain
 - Minimizing Distractions
 - Managing Screen Time
 11. Cultivating a Reading Routine Mazda 626 1994 Model Air Conditioning Wiring Diagram
 - Setting Reading Goals Mazda 626 1994 Model Air Conditioning Wiring Diagram
 - Carving Out Dedicated Reading Time
 12. Sourcing Reliable Information of Mazda 626 1994 Model Air Conditioning Wiring Diagram
 - Fact-Checking eBook Content of Mazda 626 1994 Model Air Conditioning Wiring Diagram
 - Distinguishing Credible Sources
 13. Promoting Lifelong Learning
 - Utilizing eBooks for Skill Development
 - Exploring Educational eBooks
 14. Embracing eBook Trends
 - Integration of Multimedia Elements
 - Interactive and Gamified eBooks

Mazda 626 1994 Model Air Conditioning Wiring Diagram Introduction

Mazda 626 1994 Model Air Conditioning Wiring Diagram Offers over 60,000 free eBooks, including many classics that are in the public domain. Open Library: Provides access to over 1 million free eBooks, including classic literature and contemporary works. Mazda 626 1994 Model Air Conditioning Wiring Diagram Offers a vast collection of books, some of which are available for free as PDF downloads, particularly older books in the public domain. Mazda 626 1994 Model Air Conditioning Wiring Diagram : This website hosts a vast collection of scientific articles, books, and textbooks. While it operates in a legal gray area due to copyright issues, its a popular resource for finding various publications. Internet Archive for Mazda 626 1994 Model Air Conditioning Wiring Diagram : Has an extensive collection of digital content, including books, articles, videos, and more. It has a massive library of free downloadable books. Free-eBooks Mazda 626 1994 Model Air Conditioning Wiring Diagram Offers a diverse range of free eBooks across various genres. Mazda 626 1994 Model Air Conditioning Wiring Diagram Focuses mainly on educational books, textbooks, and business books. It offers free PDF downloads for educational purposes. Mazda 626 1994 Model Air Conditioning Wiring Diagram Provides a large selection of free eBooks in different genres, which are available for download in various formats, including PDF. Finding specific Mazda 626 1994 Model Air Conditioning Wiring Diagram, especially related to Mazda 626 1994 Model Air Conditioning Wiring Diagram, might be challenging as theyre often artistic creations rather than practical blueprints. However, you can explore the following steps to search for or create your own Online Searches: Look for websites, forums, or blogs dedicated to Mazda 626 1994 Model Air Conditioning Wiring Diagram, Sometimes enthusiasts share their designs or concepts in PDF format. Books and Magazines Some Mazda 626 1994 Model Air Conditioning Wiring Diagram books or magazines might include. Look for these in online stores or libraries. Remember that while Mazda 626 1994 Model Air Conditioning Wiring Diagram, sharing copyrighted material without permission is not legal. Always ensure youre either creating your own or obtaining them from legitimate sources that allow sharing and downloading. Library Check if your local library offers eBook lending services. Many libraries have digital catalogs where you can borrow Mazda 626 1994 Model Air Conditioning Wiring Diagram eBooks for free, including popular titles. Online Retailers: Websites like Amazon, Google Books, or Apple Books often sell eBooks. Sometimes, authors or publishers offer promotions or free periods for certain books. Authors Website Occasionally, authors provide excerpts or short stories for free on their websites. While this might not be the Mazda 626 1994 Model Air Conditioning Wiring Diagram full book , it can give you a taste of the authors writing style. Subscription Services Platforms like Kindle Unlimited or Scribd offer subscription-based access to a wide range of Mazda 626 1994 Model Air Conditioning Wiring Diagram eBooks, including some popular titles.

FAQs About Mazda 626 1994 Model Air Conditioning Wiring Diagram Books

How do I know which eBook platform is the best for me? Finding the best eBook platform depends on your reading preferences and device compatibility. Research different platforms, read user reviews, and explore their features before making a choice. Are free eBooks of good quality? Yes, many reputable platforms offer high-quality free eBooks, including classics and public domain works. However, make sure to verify the source to ensure the eBook credibility. Can I read eBooks without an eReader? Absolutely! Most eBook platforms offer web-based readers or mobile apps that allow you to read eBooks on your computer, tablet, or smartphone. How do I avoid digital eye strain while reading eBooks? To prevent digital eye strain, take regular breaks, adjust the font size and background color, and ensure proper lighting while reading eBooks. What the advantage of interactive eBooks? Interactive eBooks incorporate multimedia elements, quizzes, and activities, enhancing the reader engagement and providing a more immersive learning experience. Mazda 626 1994 Model Air Conditioning Wiring Diagram is one of the best book in our library for free trial. We provide copy of Mazda 626 1994 Model Air Conditioning Wiring Diagram in digital format, so the resources that you find are reliable. There are also many Ebooks of related with Mazda 626 1994 Model Air Conditioning Wiring Diagram. Where to download Mazda 626 1994 Model Air Conditioning Wiring Diagram online for free? Are you looking for Mazda 626 1994 Model Air Conditioning Wiring Diagram PDF? This is definitely going to save you time and cash in something you should think about.

Find Mazda 626 1994 Model Air Conditioning Wiring Diagram :

kone elevator parts manual

komatsu wa470 5 wheel loader parts manual

[konica di2010 manual](#)

komatsu forklift parts manual propane

~~kohler generator repair parts~~

kodiak marine 350 manual

[komatsu 95 series diesel engine service repair manual](#)

kohler k361 k 361 service repair manual kohler engines

[komatsu wa30 5 work shop manual](#)

[komatsu pc09 1 operation and maintenance manual](#)

[komatsu 960e 1 dump truck field assembly manual](#)

~~kodak value charger manual~~

[komatsu 950 instruction manual](#)

kohler generator manual rv

[konica minolta bizhub c45user guide](#)

Mazda 626 1994 Model Air Conditioning Wiring Diagram :

prism quilt kit etsy canada - Aug 04 2022

web prism quilt kit 88 relevant results price shops anywhere all sellers queen size heirloom quality crystal blue prism quilt ca 2 288 30 prism digital longarm quilting design for edge to edge pantograph 185 ca 16 99 ca 21 24 20 off mystical prism bytoni kay steere and jenny foltz of wing and a prayer design 4 6k ca 36 82

[quilting land prism quilt](#) - Apr 12 2023

web prism quilt the triangles have two bias edges so you should be able to ease seams together spray starch and a little steam are your best allies when it comes to easing sides together

prism quilt kit etsy - Jun 14 2023

web check out our prism quilt kit selection for the very best in unique or custom handmade pieces from our fabric shops

[how to sew a prism puzzle quilt block featuring selva fabric](#) - Jul 03 2022

web 39 9k subscribers subscribe 241 share 4 2k views 3 years ago agf quilt block collections fabrics that make you smile are my kind of fabrics this is why agf studio s latest collection called

crystal prism quilt etsy - Dec 08 2022

web queen size heirloom quality crystal blue prism quilt free shipping add to favorites strip it three ways 204 prism rainbow square and weave quilt pattern by nancy rink designs 4 9k sale price 8 07 8 07 9 50 original price 9 50 15 off

prism quilt new blog zen chic modern fabrics and quilt patterns - Feb 10 2023

web apr 26 2019 free pattern sew the purl soho prism quilt with day in paris fabrics april 26 2019 laura nicholls create this fresh stunning prism quilt with the day in paris fabric line from zen chic using a free pattern from purl soho

pineapple quilt kit prism shabby fabrics - Mar 31 2022

web pineapple quilt kit prism this eye catching quilt features a stunning array of colors that pop off the black background the gorgeous prints and bold colors combined with intricate piecing make this quilt a one of a kind showstopper quilt

crystal prism quilt kit unboxing youtube - Jan 09 2023

web 8 9k views 1 year ago this hoffman s sew into it kit features the crystal prism kaleidoscope star designed by jeanie sumrall ajero using hoffman bali watercolors hand dye fabric

kits prism quilt s - Jan 29 2022

web kits showing 1 40 of results page 1 2 3 6 crystal clear batik kit jakit176 ice white and grey batik quilt kit by jeanier sumrall ajero price 196 00

[prism quilt and free pattern virtual quilters](#) - Aug 16 2023

web nov 22 2021 prism quilt and free pattern 11 22 2021 0 comments i came across this beautiful quilt pattern on you tube designed by anna maria horner for janome sewing machines when i looked for the free pattern the links no longer worked since this was published in 2012

[crystal prism quilt pattern etsy](#) - Mar 11 2023

web crystal prism quilt pattern 1 5 of 5 results price shipping all sellers strip it three ways 204 prism rainbow square and weave quilt pattern by nancy rink designs

prism strip quilt kit in the beginning mercury craft co llc - May 01 2022

web the prism strip quilt kit is a stunning explosion of color featuring fabrics from prism by jason yenter this vibrant and dynamic quilt kit is perfect for confident beginner quilters the prism strip quilt kit includes 2 prism 2 ½ strip rolls 27 strips each for blocks and pieced outer border

[prism quilts casper wy facebook](#) - Feb 27 2022

web prism quilts casper wyoming 631 likes 93 talking about this 38 were here quilt shop providing high quality quilting cottons and related supplies classes and on going activi

prism quilt sew casper wy making fabric fun since 1987 - Jun 02 2022

web large selection of fabric sewing notions books and patterns authorized brother dealer quilting and sewing classes

prism quilt textillia - Oct 06 2022

web each square is a simple two piece construction meditative and systematic to assemble but arranging them is when the serious fun begins the play of so many colors skittering from one corner to the other skipping through the rainbow like a prism spinning in the light

prisms quilt block tutorial free quilt pattern youtube - Sep 17 2023

web mar 16 2021 check out our video featuring lisa ruble from love to color my world with another quilt tutorial this tutorial features our prisms pattern that uses 10 squares available here

prism party an easy disappearing strip pattern with youtube - Jul 15 2023

web jul 18 2023 using only a jelly roll and some border fabric you can make this easy disappearing strip quilt it s way simpler than it looks a big thank you goes to my members for helping me name this

[how to make a prism party quilt diy joy](#) - Nov 07 2022

web how to make a prism party quilt don t miss out sign up for the latest updates at first glance you d think that this quilt is

very complicated and challenging to make especially if you re a beginner but once you ve learned how to [beautiful crystal prism quilts youtube](#) - May 13 2023

web take an up close look at these beautiful crystal prism quilts pick up your own crystal prism quilt kit exclusivly at my favorite quilt store myfavo

prism quilt pattern fat quarter shop - Sep 05 2022

web this free pdf quilt pattern uses prints from uncorked by another point of view for windham fabrics finished size 61 75 x 70 fat quarter shop has a large selection of free pdf patterns

[la piramide di fango trama cast e streaming il commissario montalbano](#) - Mar 01 2023

web dec 1 2020 abbiamo visto la trama dell episodio la piramide di fango de il commissario montalbano ma qual è il cast completo di seguito tutti gli attori con i rispettivi ruoli luca zingaretti

[la piramide di fango worldcat org](#) - Jan 31 2023

web summary sono giorni di pioggia a vigàta quegli acquazzoni violenti e persistenti che non danno requie fiumane d u2019 acqua scatenata che travolgono case e terreni lasciando dietro di sé un mare di fango È in una di queste giornate che un uomo giugìu nicotra viene trovato morto in un cantiere mezzo nudo colpito da un proiettile alle

andrea camilleri presenta la piramide di fango youtube - Aug 26 2022

web andrea camilleri presenta la piramide di fango silvia andretti 405 subscribers subscribe 3 3k views 8 years ago 6 giugno 2014 andrea camilleri a palermo per la manifestazione una

detective montalbano season 10 imdb - Dec 30 2022

web season 10 s10 ep1 29 feb 2016 una faccenda delicata 7 5 193 rate montalbano must cut short his holiday with livia when a sixty seven year old prostitute is murdered in vigata add image s10 ep2

il commissario montalbano la piramide di fango mymovies it - Jun 04 2023

web il commissario montalbano la piramide di fango un film di alberto sironi con luca zingaretti cesare bocci peppino mazzotta angelo russo teresa mannino giallo italia 2016 durata 100 min

montalbano la piramide di fango cast attori personaggi - Sep 26 2022

web may 23 2019 montalbano la piramide di fango cast il commissario montalbano ha il volto di luca zingaretti e giovedì 23 maggio 2019 tornano entrambi in prima serata su rai 1 per la messa in onda della

la piramide di fango camilleri andrea amazon com tr - Sep 07 2023

web la piramide di fango camilleri andrea amazon com tr Çerez tercihlerinizi seçin Çerez bildirimimizde detaylandırıldığı üzere satın alım yapmanızı sağlamak alışveriş deneyiminizi geliştirmek ve hizmetlerimizi sunmak için gerekli olan çerezleri ve

detective montalbano la piramide di fango tv episode 2016 imdb - Jul 05 2023

web mar 7 2016 la piramide di fango directed by alberto sironi with luca zingaretti cesare bocci peppino mazzotta angelo russo a man shot in the back and found dead in a water pipe is the start for a complicated case for the inspector

[litfiba istanbul şarkı sözleri tr lyrics translate](#) - Apr 21 2022

web se ne stava solo là il mio volto nel fango istanbul istanbul istanbul istanbul hallo istanbul ripetizioni teşekkür et strade di turchia tarafından 2016 10 17 tarihinde eklendi coopysnoopy tarafından en son 2016 10 18 tarihinde düzenlendi telif hakkı

[la piramide di fango facebook](#) - Mar 21 2022

web book 49 people like this topic

la piramide di fango trama e anteprima del libro libri news - Nov 28 2022

web sep 3 2020 la piramide di fango trama del libro si sono aperte le cateratte del cielo i tuoni erompono con fragore nel generale ottenebramento e sotto la pioggia implacabile tutto si impantana e smotta il fango monta e dilaga è una coltre di spento grigiore sulle lesioni e sulle frane

[il commissario montalbano la piramide di fango film 2016](#) - Aug 06 2023

web il commissario montalbano la piramide di fango è un film di genere giallo del 2016 diretto da alberto sironi con luca zingaretti e cesare bocci durata 105 minuti distribuito da rai

andrea camilleri la piramide di fango 2014 italien - May 03 2023

web oct 30 2014 scheda di lettura del romanzo la piramide di fango di andrea camilleri pubblicato nel 2014 da sellerio andrea camilleri la piramide di fango 2014 italien le portail en langues étrangères

la piramide di fango anna s archive - Jul 25 2022

web il fango monta e dilaga è una coltre di spento grigiore sulle lesioni e sulle frane la brutalità della natura si vendica della politica dei governi corrotti che non si curano del rispetto geologico e assicurano appalti e franchigie alle

la piramide di fango trama e cast tv sorrisi e canzoni - Apr 02 2023

web dec 1 2020 il 3 dicembre 2020 in prima serata su raiuno un nuovo appuntamento con le repliche della fiction il commissario montalbano con luca zingaretti tratta dai romanzi di andrea camilleri

[il commissario montalbano se10ep2 la piramide di fango](#) - Oct 28 2022

web il commissario montalbano se10ep2 la piramide di fango full episodeclick here soo gd bmm1 il commissario montalbano se10ep2 la piramide di

[litfiba istanbul lyrics](#) - Feb 17 2022

web oct 18 2016 russia is waging a disgraceful war on ukraine stand with ukraine how you can support ukraine lt italian english french litfiba istanbul

[la piramide di fango von andrea camilleri rezenion bücher](#) - May 23 2022

web die verflechtungen die salvo enthüllt haben vigàta die provinz montelusa sizilien und wie montalbano selber spekuliert ganz italien wie ein pilzgewebe durchzogen und das motiv des mo rasts der die ganze gegend versinken lässt ist auf allen bildebene perfekt gestaltet il fango della corru zione delle mazzette dei finti

la piramide di fango wikipedia - Oct 08 2023

web la piramide di fango è un romanzo di andrea camilleri pubblicato nel 2014 dalla casa editrice sellerio di palermo che ha come protagonista il commissario di polizia siciliano salvo montalbano trama il commissario montalbano si

la piramide di fango andrea camilleri google books - Jun 23 2022

web sellerio 2014 fiction 261 pages si sono aperte le cateratte del cielo i tuoni erompono con fragore nel generale ottenebramento e sotto la pioggia implacabile tutto si impantana e

aki ola series english language with literature for jhs - Dec 06 2022

web english language for jhs 1 2 3 aki ola 52 00 english language for jhs 1 2 3 aki ola out of stock category text books past q a tag textbooks product id

[aki ola series english choice at literature for jhs](#) - May 11 2023

web compare broaden your knowledge with the all new aki ola english language for shs 135 00 add to cart compare description reviews this textbook helps shs 1 2 3

aki ola core mathematics for senior secondary schools - Dec 26 2021

web aki ola series a guide to essay writing for junior high schools forms 1 3 with solved essays from 1990 to date a guide to essay writing for junior high schools forms 1 3

[aki ola series english language with literature since jhs](#) - Jun 12 2023

web improve your knowledge with the all new aki ola series english language from literature this book is written to help jhs 1 3 students grasp the philosophy of

[aki ola series english language with literature for jhs](#) - Aug 14 2023

web improve your knowledge with the all new aki ola series english language with literature this book is written to help jhs 1 3 students grasp the principles of

aki ola series information and communications technology - Oct 24 2021

web no products were found matching your selection x great to have you back

□□□□□□□□ □□ □□□□ - Feb 25 2022

web aki ola publications have become a by word for text books in ghana kumasi catholic bookshop is trying it s best to make these books available to students and teachers in

aki ola series booknook store - Sep 22 2021

aki ola series english language with literature for jhs - Aug 02 2022

web aki ola series english language for junior high schools forms 1 2 3 questions answers from 1990 to 2020 seth krampah practising examination questions is one of

aki ola series english language with literature for jhs - Oct 04 2022

web improve your knowledge with an all new aki ola batch british language with humanities this book a written to help jhs 1 3 students get to principles of

english language for shs aki ola textbook - Jul 13 2023

web improve your knowledge with the all new aki ola order english language with books this book is written to help jhs 1 3 students grasp the principles of german

aki ola series english language with reference on jhs - May 31 2022

web aki ola series english language oral for senior high schools two cds notes and three standard tests sampson koblah ezuh aki ola series english language oral

aki ola series a guide to essay writing for junior high schools - Nov 24 2021

web aki ola series english language for junior high schools forms 1 2 3 questions answers from 1990 to 2020 kwadwoan mathematics for basic 1 38 00 aki ola

aki ola series kumasi catholic bookshop - Jan 27 2022

web reviews improve your mathematical knowledge with the all new aki ola core mathematics for shs 1 3 this book is written to help shs 1 3 students grasp the advanced principles

aki ola series english speaking language with literature for jhs - Mar 09 2023

web improve yours knowledge with the all new aki ola batch englisch choose with literature this book is written to support jhs 1 3 students grasp the principles of

aki ola series english language with literature for jhs - Feb 08 2023

web improves your knowledge with the all new aki ola series english language with writings this book is written to help jhs 1 3 students grasp the principles of

aki ola series english select with literature for jhs - Sep 03 2022

web improve your our equipped the all new aki ola series english language with literature this book is scripted to help jhs 1 3 students grasp the principles of

aki ola series english language oral for senior high schools - Apr 29 2022

web improve your knowledge with the all new aki ola series english language with literature this book is written to help jhs 1 3 students grasp the principles of

aki ola series english language for junior high schools forms - Jul 01 2022

web improve your awareness with the all new aki ola series english language equipped literature this book are written to help jhs 1 3 learners grasp the

english language for jhs 1 2 3 aki ola continental books - Nov 05 2022

web improve your knowledge on the all new aki ola product english language with literature on volume is written to help jhs 1 3 scholars grasp the morality of

aki ola english language for shs schoolmallgh com - Apr 10 2023

web enhancements respective knowledge by the all new aki ola series english language with book this book is written to help jhs 1 3 students grasp the

all textbooks jhs archives schoolmallgh com - Mar 29 2022

web 0000 00000000 00 000000002003050 000000100 5500 020130000000 0000000021 1300 000000 00 00

aki ola series english language with literature for jhs - Jan 07 2023

web 20 in stock add to wishlist contrast improve my knowledge from the all new aki ola series english lingo with literature this book is written toward help jhs 1