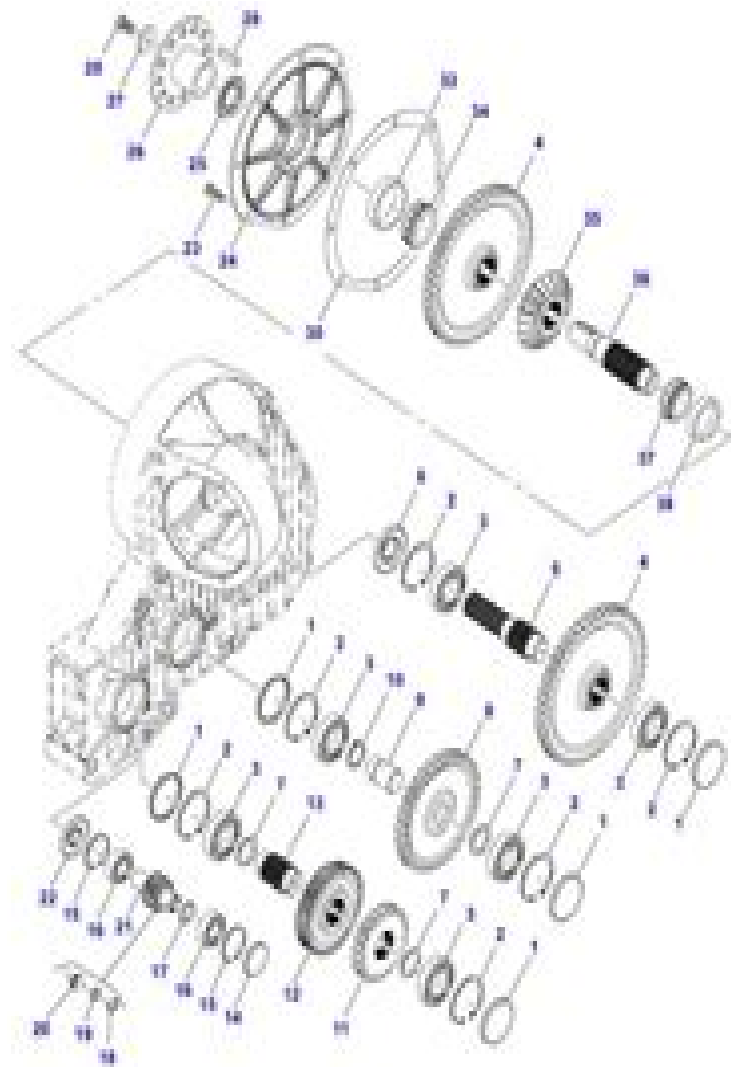


Qty	Part Number	Description	Technical Specifications
		1 OF 2	
1	0070047	GEARBOX	540000
2	0000001	BEARING-CUP	
2	0000114	TAPERED BEARING	
4	000114	WASHER	3/8" X 1/2"
2	000114	WASHER	3/8" X 1/2"
2	000114	WASHER	3/8" X 1/2"
1	017001	SUPPORT	CAP-BEARING
4	017101	WASHER	3/8" X 1/2" X 1.000" (34-GROOVE)
8	0000004	ORING	1/8" X 1/32" (2)
10	017001	COLLAR	1/8" (1/2" X 1.000" (34-GROOVE)
11	0000114	RETAINING RING	1-1/2"
12	000040	SUPPORT BRACKET	
12	000040	SUPPORT BRACKET	
14	017010	HEX CAP SCREW	3/8-16 X 1-1/4
16	017004	WASHER	4/8" X 1/2"
16	0170007	WASHER-FLAT	3/8"
17	000001	PLATE	
18	4000010	HEX BOLT	1/4"-20 X 1/2" (20)
18	4000001	LOCK WASHER	1/4"
20	000011	FLAT WASHER	
21	000001	HEX CAP SCREW	3/8-16 X 3/4"
22	4000011	LOCK WASHER	3/8"
23	017101	COLLAR	
24	0000004	SPLITTED FLAT COUNTERSINK WASHER	1/2 X 1 (20000) P
24	017000	WASHER	
24	0000001	HEX TOP LOCK NUT	1/4"-20 (20)
24	0000001	PLATE	
27	0000004	BLANK FITTING	3/4-14 (20)
28	017010	HEX CAP SCREW	
28	000114	WASHER	1/2" X 1/2"
31	017001	COLLAR	3/8"
31	000114	WASHER	3/8" X 1/2" X 1.000" (34-GROOVE)
32	0000001	SPLITTED NUT	3/8 X 1/4"
33	0000001	CUTTER PIN	3/16 X 1-1/4 (2)
33	0000001	TAPERED BEARING	



Massey Ferguson 1359 Parts Manual

O García



Massey Ferguson 1359 Parts Manual:

Standard & Poor's Smallcap 600 Guide ,1997 *Official Guide, Tractors and Farm Equipment* ,1981 Catalog of Copyright Entries. Third Series Library of Congress. Copyright Office,1973 *Moody's Industrial Manual* ,1961

Standard and Poor's MidCap 400 Guide 2001 Standard & Poor's,2000-12 What do individual investors money managers analysts brokers and financial writers and editors have in common All turn to Standard Poor s a division of the McGraw Hill Companies for securities information that is second to none S P s Guides totally updated for 2002 deliver the same data and analyses used by today s top investment professionals Each book puts these unique features at the reader s fingertips Vital data on earnings dividends and share prices Key income and balance sheet statistics Exclusive S P buy sell or hold recommendations for each stock Exclusive S P outlook for every stock s price Computer generated screens showing superior stock picks in different categories Company addresses and numbers and names of top officers Key information on America s medium size fast growing companies *Security Owner's Stock Guide* Standard and Poor's Corporation,1978 **Directory** ,1990 **Supplementary Parts Book** Massey-Ferguson (Aust.) Ltd.), *Parts Book* Massey-Ferguson (Aust.) Ltd.),1974 **Farmers and Consumers Market Bulletin** ,2010 *The Commercial Motor* ,1976 *Books and Pamphlets, Including Serials and Contributions to Periodicals* Library of Congress. Copyright Office,1971 *Hutchinson's Washington and Georgetown Directory* ,1922 **Union Agriculturist and Western Prairie Farmer** ,1979 *Wallaces Farmer* ,1972 *Machinery and Production Engineering* ,1957 Machinery ,1957 *Prairie Farmer* ,1985 Wisconsin Wood Marketing Bulletin ,1973 **Michigan Roads and Pavements** ,1967

Massey Ferguson 1359 Parts Manual Book Review: Unveiling the Magic of Language

In a digital era where connections and knowledge reign supreme, the enchanting power of language has been apparent than ever. Its ability to stir emotions, provoke thought, and instigate transformation is actually remarkable. This extraordinary book, aptly titled "**Massey Ferguson 1359 Parts Manual**," published by a very acclaimed author, immerses readers in a captivating exploration of the significance of language and its profound effect on our existence. Throughout this critique, we will delve into the book's central themes, evaluate its unique writing style, and assess its overall influence on its readership.

<https://splashdogs.com/public/Resources/index.jsp/manual%20transmission%20cars%20for%20sale%20near%20me.pdf>

Table of Contents Massey Ferguson 1359 Parts Manual

1. Understanding the eBook Massey Ferguson 1359 Parts Manual
 - The Rise of Digital Reading Massey Ferguson 1359 Parts Manual
 - Advantages of eBooks Over Traditional Books
2. Identifying Massey Ferguson 1359 Parts Manual
 - Exploring Different Genres
 - Considering Fiction vs. Non-Fiction
 - Determining Your Reading Goals
3. Choosing the Right eBook Platform
 - Popular eBook Platforms
 - Features to Look for in an Massey Ferguson 1359 Parts Manual
 - User-Friendly Interface
4. Exploring eBook Recommendations from Massey Ferguson 1359 Parts Manual
 - Personalized Recommendations
 - Massey Ferguson 1359 Parts Manual User Reviews and Ratings
 - Massey Ferguson 1359 Parts Manual and Bestseller Lists
5. Accessing Massey Ferguson 1359 Parts Manual Free and Paid eBooks

- Massey Ferguson 1359 Parts Manual Public Domain eBooks
 - Massey Ferguson 1359 Parts Manual eBook Subscription Services
 - Massey Ferguson 1359 Parts Manual Budget-Friendly Options
6. Navigating Massey Ferguson 1359 Parts Manual eBook Formats
 - ePub, PDF, MOBI, and More
 - Massey Ferguson 1359 Parts Manual Compatibility with Devices
 - Massey Ferguson 1359 Parts Manual Enhanced eBook Features
 7. Enhancing Your Reading Experience
 - Adjustable Fonts and Text Sizes of Massey Ferguson 1359 Parts Manual
 - Highlighting and Note-Taking Massey Ferguson 1359 Parts Manual
 - Interactive Elements Massey Ferguson 1359 Parts Manual
 8. Staying Engaged with Massey Ferguson 1359 Parts Manual
 - Joining Online Reading Communities
 - Participating in Virtual Book Clubs
 - Following Authors and Publishers Massey Ferguson 1359 Parts Manual
 9. Balancing eBooks and Physical Books Massey Ferguson 1359 Parts Manual
 - Benefits of a Digital Library
 - Creating a Diverse Reading Collection Massey Ferguson 1359 Parts Manual
 10. Overcoming Reading Challenges
 - Dealing with Digital Eye Strain
 - Minimizing Distractions
 - Managing Screen Time
 11. Cultivating a Reading Routine Massey Ferguson 1359 Parts Manual
 - Setting Reading Goals Massey Ferguson 1359 Parts Manual
 - Carving Out Dedicated Reading Time
 12. Sourcing Reliable Information of Massey Ferguson 1359 Parts Manual
 - Fact-Checking eBook Content of Massey Ferguson 1359 Parts Manual
 - Distinguishing Credible Sources
 13. Promoting Lifelong Learning
 - Utilizing eBooks for Skill Development

- Exploring Educational eBooks
14. Embracing eBook Trends
- Integration of Multimedia Elements
 - Interactive and Gamified eBooks

Massey Ferguson 1359 Parts Manual Introduction

Free PDF Books and Manuals for Download: Unlocking Knowledge at Your Fingertips In today's fast-paced digital age, obtaining valuable knowledge has become easier than ever. Thanks to the internet, a vast array of books and manuals are now available for free download in PDF format. Whether you are a student, professional, or simply an avid reader, this treasure trove of downloadable resources offers a wealth of information, conveniently accessible anytime, anywhere. The advent of online libraries and platforms dedicated to sharing knowledge has revolutionized the way we consume information. No longer confined to physical libraries or bookstores, readers can now access an extensive collection of digital books and manuals with just a few clicks. These resources, available in PDF, Microsoft Word, and PowerPoint formats, cater to a wide range of interests, including literature, technology, science, history, and much more. One notable platform where you can explore and download free Massey Ferguson 1359 Parts Manual PDF books and manuals is the internet's largest free library. Hosted online, this catalog compiles a vast assortment of documents, making it a veritable goldmine of knowledge. With its easy-to-use website interface and customizable PDF generator, this platform offers a user-friendly experience, allowing individuals to effortlessly navigate and access the information they seek. The availability of free PDF books and manuals on this platform demonstrates its commitment to democratizing education and empowering individuals with the tools needed to succeed in their chosen fields. It allows anyone, regardless of their background or financial limitations, to expand their horizons and gain insights from experts in various disciplines. One of the most significant advantages of downloading PDF books and manuals lies in their portability. Unlike physical copies, digital books can be stored and carried on a single device, such as a tablet or smartphone, saving valuable space and weight. This convenience makes it possible for readers to have their entire library at their fingertips, whether they are commuting, traveling, or simply enjoying a lazy afternoon at home. Additionally, digital files are easily searchable, enabling readers to locate specific information within seconds. With a few keystrokes, users can search for keywords, topics, or phrases, making research and finding relevant information a breeze. This efficiency saves time and effort, streamlining the learning process and allowing individuals to focus on extracting the information they need. Furthermore, the availability of free PDF books and manuals fosters a culture of continuous learning. By removing financial barriers, more people can access educational resources and pursue lifelong learning, contributing to personal growth and professional development. This democratization of knowledge promotes intellectual curiosity and

empowers individuals to become lifelong learners, promoting progress and innovation in various fields. It is worth noting that while accessing free Massey Ferguson 1359 Parts Manual PDF books and manuals is convenient and cost-effective, it is vital to respect copyright laws and intellectual property rights. Platforms offering free downloads often operate within legal boundaries, ensuring that the materials they provide are either in the public domain or authorized for distribution. By adhering to copyright laws, users can enjoy the benefits of free access to knowledge while supporting the authors and publishers who make these resources available. In conclusion, the availability of Massey Ferguson 1359 Parts Manual free PDF books and manuals for download has revolutionized the way we access and consume knowledge. With just a few clicks, individuals can explore a vast collection of resources across different disciplines, all free of charge. This accessibility empowers individuals to become lifelong learners, contributing to personal growth, professional development, and the advancement of society as a whole. So why not unlock a world of knowledge today? Start exploring the vast sea of free PDF books and manuals waiting to be discovered right at your fingertips.

FAQs About Massey Ferguson 1359 Parts Manual Books

What is a Massey Ferguson 1359 Parts Manual PDF? A PDF (Portable Document Format) is a file format developed by Adobe that preserves the layout and formatting of a document, regardless of the software, hardware, or operating system used to view or print it. **How do I create a Massey Ferguson 1359 Parts Manual PDF?** There are several ways to create a PDF: Use software like Adobe Acrobat, Microsoft Word, or Google Docs, which often have built-in PDF creation tools. Print to PDF: Many applications and operating systems have a "Print to PDF" option that allows you to save a document as a PDF file instead of printing it on paper. Online converters: There are various online tools that can convert different file types to PDF. **How do I edit a Massey Ferguson 1359 Parts Manual PDF?** Editing a PDF can be done with software like Adobe Acrobat, which allows direct editing of text, images, and other elements within the PDF. Some free tools, like PDFescape or Smallpdf, also offer basic editing capabilities. **How do I convert a Massey Ferguson 1359 Parts Manual PDF to another file format?** There are multiple ways to convert a PDF to another format: Use online converters like Smallpdf, Zamzar, or Adobe Acrobat's export feature to convert PDFs to formats like Word, Excel, JPEG, etc. Software like Adobe Acrobat, Microsoft Word, or other PDF editors may have options to export or save PDFs in different formats. **How do I password-protect a Massey Ferguson 1359 Parts Manual PDF?** Most PDF editing software allows you to add password protection. In Adobe Acrobat, for instance, you can go to "File" -> "Properties" -> "Security" to set a password to restrict access or editing capabilities. Are there any free alternatives to Adobe Acrobat for working with PDFs? Yes, there are many free alternatives for working with PDFs, such as: LibreOffice: Offers PDF editing features. PDFsam: Allows splitting, merging, and

editing PDFs. Foxit Reader: Provides basic PDF viewing and editing capabilities. How do I compress a PDF file? You can use online tools like Smallpdf, ILovePDF, or desktop software like Adobe Acrobat to compress PDF files without significant quality loss. Compression reduces the file size, making it easier to share and download. Can I fill out forms in a PDF file? Yes, most PDF viewers/editors like Adobe Acrobat, Preview (on Mac), or various online tools allow you to fill out forms in PDF files by selecting text fields and entering information. Are there any restrictions when working with PDFs? Some PDFs might have restrictions set by their creator, such as password protection, editing restrictions, or print restrictions. Breaking these restrictions might require specific software or tools, which may or may not be legal depending on the circumstances and local laws.

Find Massey Ferguson 1359 Parts Manual :

manual transmission cars for sale near me

manual utilizzare alcatel one touch 991

~~manual tuning digital tv channels~~

~~manual transmission cars for user guide~~

manual transfer switch wiring diagram

manual yamaha 01v96i portugues

manual usuario renault megane

manual timer selection on xray equipment

manual transmission questions

manual transaxle rattles at idle

manual volkswagen multivan t5

manual winrar exe cnet user guide

manual vtech dect 60

~~manual transmission t850~~

manual yamaha xj 9diversion

Massey Ferguson 1359 Parts Manual :

di luce riflessa traduzione in inglese esempi italiano reverso - Feb 09 2023

web mostrare più questo riduce la quantità di luce riflessa e aumenta la resa energetica this reduces the amount of reflected

light and increases the energy yield a seconda dell angolo di luce riflessa si creano ambientazioni cromatiche diverse che risaltano questa finitura dai

di luce riflessa facebook - Jan 08 2023

web di luce riflessa is on facebook join facebook to connect with di luce riflessa and others you may know facebook gives people the power to share and makes the world more open and connected

di luce riflessa anna fienberg libro rizzoli bur ragazzi ibs - Aug 15 2023

web cally pensa di sé di essere una luna che brilla della luce riflessa da persone più carismatiche le stelle ma quando a sedici anni rimane incinta scopre di non avere più ombre dietro cui nascondersi corpi celesti attorno a cui gravitare al centro della sua galassia c'è lei e solo lei

riflessi di luce wikipedia - Mar 10 2023

web riflessi di luce also known in english speaking countries as reflections of light is a 1988 italian erotic movie directed by mario bianchi and starring pamela prati plot sick after an accident in which he lost his wife a musician is angry with the whole world in a secluded villa where a bisexual a lesbian and a spoiled kid live the

amazon it riflessi di luce - Nov 06 2022

web fedeli nuziali riflessi di luce anelli unici hand made in italy con lavorazione artigianale in oro 18 kt 750 920 00 consegna a 10 25 mag 1 giu made in italy personalizzalo

brillano di luce riflessa cruciverba dizey - Jan 28 2022

web definizioni che puoi trovare nei cruciverba e che contengono la parola brillano corpi che non brillano di luce propria brillano nei forzieri brillano nel firmamento parole crociate con il termine riflessa il bagliore della luce solare riflessa splendono solo

di luce riflessa profiles facebook - Mar 30 2022

web view the profiles of people named di luce riflessa join facebook to connect with di luce riflessa and others you may know facebook gives people the

di luce riflessa song and lyrics by curvarcobaleno spotify - Jun 01 2022

web curvarcobaleno song 2019

translation of di luce riflessa in english reverso context - Sep 04 2022

web translations in context of di luce riflessa in italian english from reverso context questo riduce la quantità di luce riflessa e aumenta la resa energetica

di luce riflessa visionnaire home philosophy - Oct 05 2022

web a synesthetic narrative based on a vision of studiopepe arianna lelli mami and chiara di pinto to describe a capsule

collection of three pieces designed for visionnaire the shibari chair the parade lighting system and the blanche set of two mirrors

riflessi di luce wikipedia - Apr 11 2023

web riflessi di luce è un film erotico drammatico del 1988 diretto da mario bianchi e interpretato da pamelapratigabrieletinti

translation of luce riflessa in english reverso context - Jul 02 2022

web translations in context of luce riflessa in italian english from reverso context stiamo conducendo ulteriori ricerche spirituali per scoprire la causa di questa differenza di luce riflessa

riflessi di luce con pamelapratifilm by film clips - Aug 03 2022

web oct 23 2021 riflessi di luce con pamelapratifilm by film clipsregia mario bianchisceneggiatura francesco valitutticast pamelapratigabrieletintiloredanaro

di luce riflessa youtube - Dec 27 2021

web provided to youtube by distrokiddi luce riflessa curvarcobalenocurvarcobaleno curvarcobalenoreleased on 2019 02 23auto generated by youtube

brillare di luce riflessa significato dizionario italiano de mauro - Jul 14 2023

web brillare di luce riflessa loc v co avere fama notorietà non per meriti propri ma per essere in relazione con persone celebri o in vista correzioni e suggerimenti il dizionario di italiano dalla a alla z a b

di luce riflessa storie di luna amazon com tr kitap - May 12 2023

web arama yapmak istediğiniz kategoriyi seçin

riflessi di luce amazon com - Dec 07 2022

web sep 15 2009 in una villa di periferia vive un noto compositore costretto su una sedia a rotelle dopo un drammatico incidente in cui la moglie ha perso la vita l uomo vive con il figlio ventenne e una giovane compagna a cui è legato in un disperato e morboso rapporto d amore la giovane matrigna troverà nel ragazzo un conforto per i suoi rimpianti

riflessione fisica wikipedia - Apr 30 2022

web la riflessione del cielo e del bosco nel lago spechtensee in stiria austria riflesso su sabbia e acqua in fisica la riflessione è il fenomeno per cui un onda che si propaga lungo l interfaccia tra differenti mezzi cambia di direzione a

riflessi di luce film completo by film clips youtube - Jun 13 2023

web nov 24 2022 riflessi di luce film completo by film clipsregia mario bianchisceneggiatura francesco valituttistar pamelapratigabrieletintiloredanaromito 1988

polarizzazione per riflessione 1 università degli studi di - Feb 26 2022

web se si analizza la luce riflessa per angoli di incidenza crescenti si osserva un massimo di trasmissione attraverso il polaroid orientandolo sempre nello stesso modo verticalmente nella situazione illustrata nelle figure qui riportate e la luce risulta maggiormente polarizzata per angoli di incidenza prossimi a 60

[101 harry potter jokes the ultimate joke book for wizards and](#) - Mar 11 2023

web dec 10 2018 101 harry potter jokes the ultimate joke book for wizards and witches winchester lilly 9781791350000 books amazon ca

101 harry potter jokes the ultimate joke book for wizards - Oct 06 2022

web buy 101 harry potter jokes the ultimate joke book for wizards and witches by lilly winchester online at alibris we have new and used copies available in 1 editions

[101 jokes about harry potter the funniest book for wicked](#) - Sep 05 2022

web harry not er only the funniest and most hilarious jokes have been cast in this unique collection of harry potter suitable for all ages these jokes are perfect for children and

101 harry potter jokes the ultimate joke book for wiza - Jun 14 2023

web dec 9 2018 lilly winchester 3 95 223 ratings0 reviews why is mad eye moody such a bad teacher because he can t control his pupils 101 hilarious jokes from the wizarding

the ultimate book of dad jokes 1 001 punny jokes your - Mar 31 2022

web apr 12 2016 a massive collection of laughable cheesy jokes perfect for amusing dads while slightly embarrassing the kids as groan

101 harry potter jokes the ultimate joke book for wizards and - Jan 09 2023

web buy 101 harry potter jokes the ultimate joke book for wizards and witches by winchester lilly online on amazon ae at best prices fast and free shipping free returns

pdf download read 101 harry potter jokes the ultimate - Jul 03 2022

web dec 4 2020 101 harry potter jokes the ultimate joke book for wizards and witches download and read online download ebook pdf ebook epub ebooks

buy 101 harry potter jokes the ultimate joke book for wizards - Dec 28 2021

web amazon in buy 101 harry potter jokes the ultimate joke book for wizards and witches book online at best prices in india on amazon in read 101 harry potter

[the unofficial joke book for fans of harry potter vol 1](#) - Jun 02 2022

web don t worry the unofficial harry potter joke book is here to relieve some of the daily stresses that accompany a life of witchcraft and wizardry tom riddles knock knock

101 harry potter jokes the ultimate joke book for wizards and - May 13 2023

web apr 8 2019 101 harry potter jokes the ultimate joke book for wizards and witches winchester lilly on amazon com free shipping on qualifying offers 101 harry

101 harry potter jokes the ultimate joke book for wizards and - Apr 12 2023

web 101 harry potter jokes the ultimate joke book for wizards and witches amazon in books

101 harry potter jokes by lilly winchester waterstones - Dec 08 2022

web apr 8 2019 101 harry potter jokes the ultimate joke book for wizards and witches paperback lilly winchester author

101 harry potter jokes the ultimate joke book for wizards and - Feb 27 2022

web 101 harry potter jokes the ultimate joke book for wizards and witches audible audiobook unabridged lilly winchester author publisher graham walker narrator

101 harry potter jokes the ultimate joke book for - Aug 16 2023

web buy 101 harry potter jokes the ultimate joke book for wizards and witches by winchester lilly isbn 9781791350000 from amazon s book store everyday low

list of the 25 funniest harry potter jokes of all time ranker - May 01 2022

web feb 10 2021 if you re feeling down and need a spell of laughter cast on you look no further than this list of short harry potter jokes to lift your spirits higher than a golden snitch all

101 harry potter jokes the ultimate joke book for wizards and - Jul 15 2023

web apr 8 2019 101 harry potter jokes the ultimate joke book for wizards and witches winchester lilly amazon co uk books *book 101 harry potter jokes the ultimate joke book for* - Aug 04 2022

web pdf download 101 harry potter jokes the ultimate joke book for wizards and witches ebook read online download bestebook site book 1791350003

101 harry potter jokes the ultimate joke book for - Sep 17 2023

web dec 10 2018 101 harry potter jokes the ultimate joke book for wizards and witches winchester lilly on amazon com free shipping on qualifying offers 101 harry

101 harry potter jokes the ultimate joke book for wizards and - Feb 10 2023

web 101 harry potter jokes the ultimate joke book for wizards and witches audible audio edition lilly winchester graham walker lilly winchester amazon ca audible books

101 harry potter jokes the ultimate joke book for wizards and - Jan 29 2022

web hear 101 hilarious jokes from the wizarding world of harry potter a must have for any harry potter fan buy now and get ready to have some serious laughs

101 harry potter jokes the ultimate joke book for wizards - Nov 07 2022

web why is mad eye moody such a bad teacher because he can t control his pupils 101 hilarious jokes from the wizarding world of harry potter a must have for any harry

petite suite 4 harpes partition pdf uniport edu - Feb 26 2022

web may 16 2023 petite suite 4 harpes partition 1 2 downloaded from uniport edu ng on may 16 2023 by guest petite suite 4 harpes partition eventually you will entirely discover

petite suite 4 harpes partition by claude debussy - Oct 05 2022

web petite suite 4 harpes partition by claude debussy paris california digital library partitions classique durand debussy petite suite pour 4 prlude l aprs midi d

petite suite 4 harpes partition pdf pdf black ortax - Nov 25 2021

web petite suite 4 harpes partition pdf pages 2 8 petite suite 4 harpes partition pdf upload caliva l williamson 2 8 downloaded from black ortax org on august 31 2023 by

petite suite for harp lhs harp com - Nov 06 2022

web the petite suite was originally written for four hands on piano by claude debussy it has been transcribed many times most notably henri busser s orchestral version

[petite suite 4 harpes partition app oaklandlibrary](#) - Aug 15 2023

web petite suite 4 harpes partition 1 petite suite 4 harpes partition dictionary catalog of the music collection symphonies et danses bulletin of the public library of the city of

petite suite 4 harpes partition pdf download only tax clone ortax - Oct 25 2021

web petite suite 4 harpes partition pdf pages 2 8 petite suite 4 harpes partition pdf upload caliva n paterson 2 8 downloaded from tax clone ortax org on september 2

petite suite 4 harpes partition design shadowera com - Jun 01 2022

web petite suite 4 harpes partition 1 petite suite 4 harpes partition recognizing the pretension ways to acquire this book petite suite 4 harpes partition is additionally

[petite suite for piano 4 hands l 65 iii menuet harp version](#) - Sep 23 2021

web listen to petite suite for piano 4 hands l 65 iii menuet harp version on spotify el poder del cerebro academia song 2015

petite suite 4 harpes partition hal leonard online - Jun 13 2023

web view the product petite suite 4 harpes partition series editions durand voicing score

petite suite 4 harpes partition pdf uniport edu - Jan 28 2022

web apr 28 2023 this petite suite 4 harpes partition as one of the most involved sellers here will entirely be in the course of

the best options to review petite suite edouard andrès

petite suite 4 harpes partition pdf download only - Sep 04 2022

web petite suite 4 harpes partition pdf introduction petite suite 4 harpes partition pdf download only legacies of slavery

unesco 2018 12 31 specimen aural tests abrsm

petite suite 4 harpes partition copy uniport edu - Dec 27 2021

web apr 27 2023 petite suite 4 harpes partition 1 3 downloaded from uniport edu ng on april 27 2023 by guest petite suite 4

harpes partition eventually you will totally discover a

petite suite 4 harpes partition amazon com tr - Jul 14 2023

web arama yapmak istediğiniz kategoriye seçin

petite suite 4 harpes partition help environment harvard edu - Apr 11 2023

web publication as without difficulty as insight of this petite suite 4 harpes partition can be taken as without difficulty as

picked to act the national union catalog pre 1956

petite suite 4 harpes partition pdf 2023 voto uneal edu - Mar 30 2022

web petite suite 4 harpes partition pdf thank you for reading petite suite 4 harpes partition pdf as you may know people have

look hundreds times for their favorite readings like

petite suite 4 harpes partition sheet music plus - May 12 2023

web shop and buy petite suite 4 harpes partition sheet music score sheet music book by editions durand at sheet music plus

hs 50571889

petite suite 4 harpes partition debussy claude lmi - Jan 08 2023

web répertoire pour harpe 4 harpes en vente chez lmi suivi d expédition satisfait ou remboursé catalogue de 300 000

partitions

petite suite 4 harpes partition iriss ac uk - Apr 30 2022

web petite suite 4 harpes partition download only iriss ac uk author armstrong ibarra subject le guide musical created date 9

9 2023 4 37 23 pm

petite suite 4 harpes partition broché 1 janvier 2001 amazon fr - Dec 07 2022

web dd 01481900 quatuor de harpes score en lire plus previous page nombre de pages de l édition imprimée 30 pages

langue français Éditeur durand date de

petite suite 4 harpes partition by claude debussy - Mar 10 2023

web petite suite 4 harpes partition by claude debussy lp klassik i moy lpcd de hamburg altona nord harpe celtique concertlog

renaissance paris california digital library

[petite suite for piano 4 hands l 65 i en bateau harp version](#) - Aug 03 2022

web listen to petite suite for piano 4 hands l 65 i en bateau harp version on spotify primeiros anos academia song 2015

[petite suite for piano 4 hands l 65 ii cortege harp version](#) - Jul 02 2022

web musica relejante piano maestros song 2015

petite suite pour 4 harpes sheet music plus - Feb 09 2023

web 4 part 3 part 2 part a cappella mixed choir men s choir women s choir school church accounts voice sheet music soprano

voice alto voice tenor voice bass