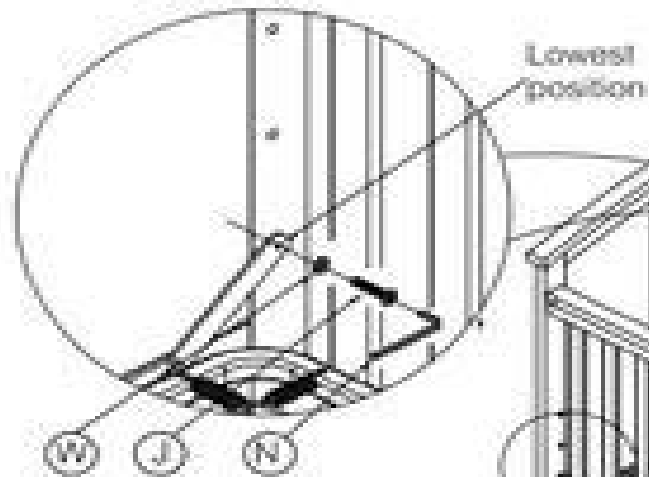


BACK SIDE
FIG. 4.A



FRONT SIDE
FIG. 4.B

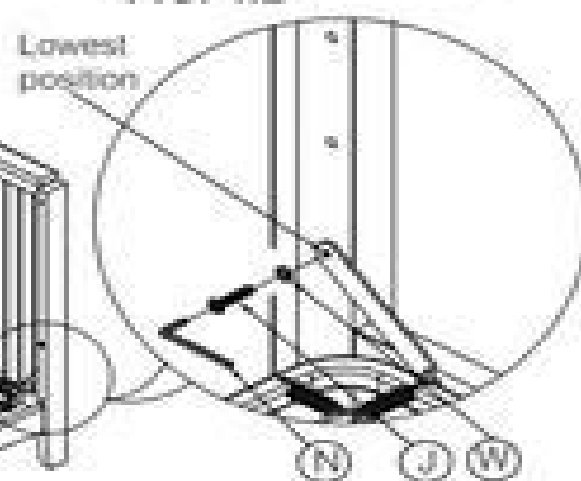


FIG. 5.A

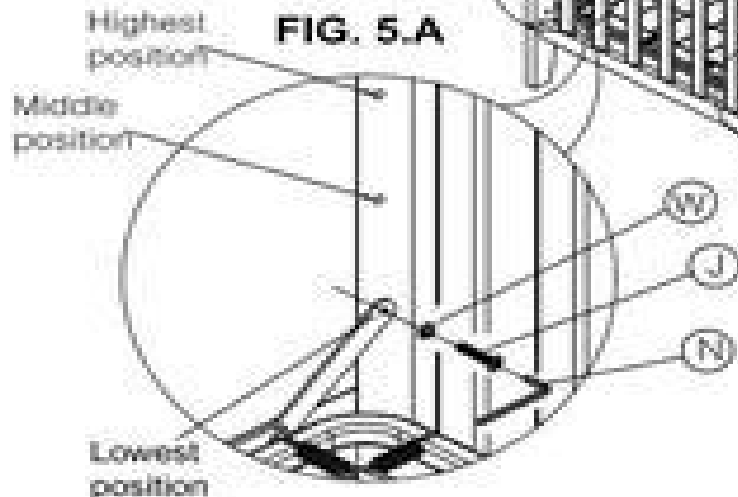
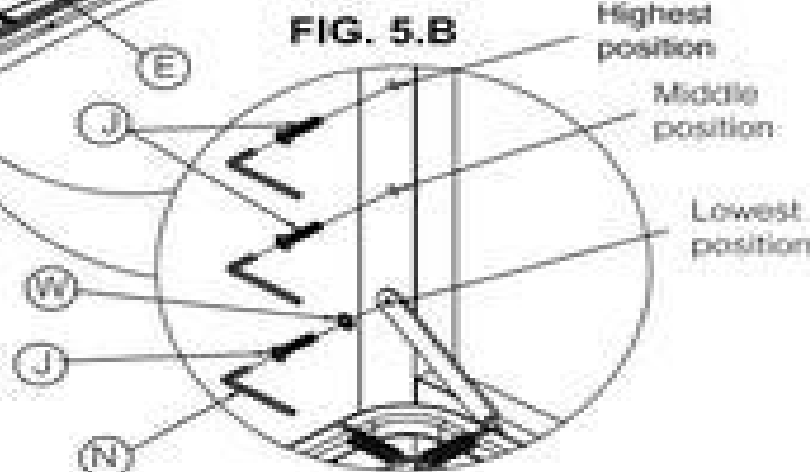


FIG. 5.B



- Place mattress spring (E) in position into crib.
- Attach mattress spring (E) to sideboard and headboard leg , as shown in FIG.4.A &4.B.
- Secure with allenkey (N)
- See FIG. 4.A & 4.B for height adjustment
- Make sure the mattress spring is leveled after assembly.
- Insert the 8 (eight) allenbolts 3/4"(20 mm) (J) into the exposed threaded holes in sideboard as shown in FIG. 5.B. Tighten all bolts with allenkey (N).

Little Folks Crib Assembly Manual

ML Morrison



Little Folks Crib Assembly Manual:

Little Folks ,1885 The Dock Manual Max Burns,1999-01-01 The Dock Manual is the only book devoted entirely to planning constructing and maintaining residential docks on rivers lakes and oceans Wilson's Book of Drills and Marches for Young People and Small Children ... Bertha M. Wilson,1895 Instructions Not Included Karen Savage,2011-07-12 Savage shares with you the triumphs and trials of new parenthood from initial sleep deprivation It wasn't even living in actual days really more like an incoherent string of two hour chunks to losing the weight My stomach not only bears a frightening resemblance to a deflated tire but also has the texture of an orange peel Savage takes you through a journey of Airplane Baby Haters Mommys Night Out Developmental Races making friends with the Tim Hortons guy and the joys of shared parenting You'll feel like your having a drink with a good friend dishing about modern motherhood Karen shows you how to sift through all the experts out there cope with your in laws and dealing your own insecurities Savage reminds new moms that just doing your best is what already makes you a great mom and that sometimes all you have to do is just show up for them no experts required Karen shares the journey with you with humour honesty and empathy From the magical to the maddening Karen Savage guides you through the ups and downs of new parenthood where instructions are not included

Our Young People ,1912 Catalogue ... Montgomery Ward,1929 Instructions in Household Matters; or, The Young Girl's Guide to Domestic Service. Written by a Lady ,1844 **The Interior** ,1913 Issues for Jan 12 1888 Jan 1889 include monthly Magazine supplement *A Lesson from the Beasts, Or Instructions from the Herds of Cattle. A Sermon (on Occasion of the Present Mortality Among the Cattle) Preach'd in Lime-Street, Nov. 28. 1714. By Thomas Simmons* Thomas Simmons,1714 Air Force Manual United States. Department of the Air Force,1974 The Congregationalist and Christian World ,1915 **The Publisher** ,1914 **The Congregationalist** ,1915 **The Big Book of Small Needlework Gifts** Annette Feldman,1980 ISBN 0843733608 LCCN 8016499 Moore's Rural New Yorker ,1914 **Catalogue** Montgomery Ward,1980 The International Speaker ,1902 **Young People's Books** Chicago Public Library,1912 **The Indian Sentinel** ,1923 *Journal of the North-China Branch of the Royal Asiatic Society for the Year ...* ,1910

This is likewise one of the factors by obtaining the soft documents of this **Little Folks Crib Assembly Manual** by online. You might not require more get older to spend to go to the books commencement as well as search for them. In some cases, you likewise attain not discover the notice Little Folks Crib Assembly Manual that you are looking for. It will agreed squander the time.

However below, as soon as you visit this web page, it will be hence completely simple to get as capably as download lead Little Folks Crib Assembly Manual

It will not say you will many times as we notify before. You can realize it while action something else at house and even in your workplace. in view of that easy! So, are you question? Just exercise just what we have the funds for below as capably as evaluation **Little Folks Crib Assembly Manual** what you once to read!

https://splashdogs.com/files/detail/Download_PDFS/lamant_du_bosphore.pdf

Table of Contents Little Folks Crib Assembly Manual

1. Understanding the eBook Little Folks Crib Assembly Manual
 - The Rise of Digital Reading Little Folks Crib Assembly Manual
 - Advantages of eBooks Over Traditional Books
2. Identifying Little Folks Crib Assembly Manual
 - Exploring Different Genres
 - Considering Fiction vs. Non-Fiction
 - Determining Your Reading Goals
3. Choosing the Right eBook Platform
 - Popular eBook Platforms
 - Features to Look for in an Little Folks Crib Assembly Manual
 - User-Friendly Interface
4. Exploring eBook Recommendations from Little Folks Crib Assembly Manual

- Personalized Recommendations
 - Little Folks Crib Assembly Manual User Reviews and Ratings
 - Little Folks Crib Assembly Manual and Bestseller Lists
5. Accessing Little Folks Crib Assembly Manual Free and Paid eBooks
 - Little Folks Crib Assembly Manual Public Domain eBooks
 - Little Folks Crib Assembly Manual eBook Subscription Services
 - Little Folks Crib Assembly Manual Budget-Friendly Options
 6. Navigating Little Folks Crib Assembly Manual eBook Formats
 - ePub, PDF, MOBI, and More
 - Little Folks Crib Assembly Manual Compatibility with Devices
 - Little Folks Crib Assembly Manual Enhanced eBook Features
 7. Enhancing Your Reading Experience
 - Adjustable Fonts and Text Sizes of Little Folks Crib Assembly Manual
 - Highlighting and Note-Taking Little Folks Crib Assembly Manual
 - Interactive Elements Little Folks Crib Assembly Manual
 8. Staying Engaged with Little Folks Crib Assembly Manual
 - Joining Online Reading Communities
 - Participating in Virtual Book Clubs
 - Following Authors and Publishers Little Folks Crib Assembly Manual
 9. Balancing eBooks and Physical Books Little Folks Crib Assembly Manual
 - Benefits of a Digital Library
 - Creating a Diverse Reading Collection Little Folks Crib Assembly Manual
 10. Overcoming Reading Challenges
 - Dealing with Digital Eye Strain
 - Minimizing Distractions
 - Managing Screen Time
 11. Cultivating a Reading Routine Little Folks Crib Assembly Manual
 - Setting Reading Goals Little Folks Crib Assembly Manual
 - Carving Out Dedicated Reading Time
 12. Sourcing Reliable Information of Little Folks Crib Assembly Manual

- Fact-Checking eBook Content of Little Folks Crib Assembly Manual
 - Distinguishing Credible Sources
13. Promoting Lifelong Learning
- Utilizing eBooks for Skill Development
 - Exploring Educational eBooks
14. Embracing eBook Trends
- Integration of Multimedia Elements
 - Interactive and Gamified eBooks

Little Folks Crib Assembly Manual Introduction

In the digital age, access to information has become easier than ever before. The ability to download Little Folks Crib Assembly Manual has revolutionized the way we consume written content. Whether you are a student looking for course material, an avid reader searching for your next favorite book, or a professional seeking research papers, the option to download Little Folks Crib Assembly Manual has opened up a world of possibilities. Downloading Little Folks Crib Assembly Manual provides numerous advantages over physical copies of books and documents. Firstly, it is incredibly convenient. Gone are the days of carrying around heavy textbooks or bulky folders filled with papers. With the click of a button, you can gain immediate access to valuable resources on any device. This convenience allows for efficient studying, researching, and reading on the go. Moreover, the cost-effective nature of downloading Little Folks Crib Assembly Manual has democratized knowledge. Traditional books and academic journals can be expensive, making it difficult for individuals with limited financial resources to access information. By offering free PDF downloads, publishers and authors are enabling a wider audience to benefit from their work. This inclusivity promotes equal opportunities for learning and personal growth. There are numerous websites and platforms where individuals can download Little Folks Crib Assembly Manual. These websites range from academic databases offering research papers and journals to online libraries with an expansive collection of books from various genres. Many authors and publishers also upload their work to specific websites, granting readers access to their content without any charge. These platforms not only provide access to existing literature but also serve as an excellent platform for undiscovered authors to share their work with the world. However, it is essential to be cautious while downloading Little Folks Crib Assembly Manual. Some websites may offer pirated or illegally obtained copies of copyrighted material. Engaging in such activities not only violates copyright laws but also undermines the efforts of authors, publishers, and researchers. To ensure ethical downloading, it is advisable to utilize reputable websites that prioritize the legal distribution of content. When downloading Little Folks Crib Assembly Manual, users should also consider the potential

security risks associated with online platforms. Malicious actors may exploit vulnerabilities in unprotected websites to distribute malware or steal personal information. To protect themselves, individuals should ensure their devices have reliable antivirus software installed and validate the legitimacy of the websites they are downloading from. In conclusion, the ability to download Little Folks Crib Assembly Manual has transformed the way we access information. With the convenience, cost-effectiveness, and accessibility it offers, free PDF downloads have become a popular choice for students, researchers, and book lovers worldwide. However, it is crucial to engage in ethical downloading practices and prioritize personal security when utilizing online platforms. By doing so, individuals can make the most of the vast array of free PDF resources available and embark on a journey of continuous learning and intellectual growth.

FAQs About Little Folks Crib Assembly Manual Books

How do I know which eBook platform is the best for me? Finding the best eBook platform depends on your reading preferences and device compatibility. Research different platforms, read user reviews, and explore their features before making a choice. Are free eBooks of good quality? Yes, many reputable platforms offer high-quality free eBooks, including classics and public domain works. However, make sure to verify the source to ensure the eBook credibility. Can I read eBooks without an eReader? Absolutely! Most eBook platforms offer webbased readers or mobile apps that allow you to read eBooks on your computer, tablet, or smartphone. How do I avoid digital eye strain while reading eBooks? To prevent digital eye strain, take regular breaks, adjust the font size and background color, and ensure proper lighting while reading eBooks. What the advantage of interactive eBooks? Interactive eBooks incorporate multimedia elements, quizzes, and activities, enhancing the reader engagement and providing a more immersive learning experience. Little Folks Crib Assembly Manual is one of the best book in our library for free trial. We provide copy of Little Folks Crib Assembly Manual in digital format, so the resources that you find are reliable. There are also many Ebooks of related with Little Folks Crib Assembly Manual. Where to download Little Folks Crib Assembly Manual online for free? Are you looking for Little Folks Crib Assembly Manual PDF? This is definitely going to save you time and cash in something you should think about. If you trying to find then search around for online. Without a doubt there are numerous these available and many of them have the freedom. However without doubt you receive whatever you purchase. An alternate way to get ideas is always to check another Little Folks Crib Assembly Manual. This method for see exactly what may be included and adopt these ideas to your book. This site will almost certainly help you save time and effort, money and stress. If you are looking for free books then you really should consider finding to assist you try this. Several of Little Folks Crib Assembly Manual are for sale to free while some are payable. If you arent sure if the books you would like to download works with for usage along with your computer, it is possible to download

free trials. The free guides make it easy for someone to free access online library for download books to your device. You can get free download on free trial for lots of books categories. Our library is the biggest of these that have literally hundreds of thousands of different products categories represented. You will also see that there are specific sites catered to different product types or categories, brands or niches related with Little Folks Crib Assembly Manual. So depending on what exactly you are searching, you will be able to choose e books to suit your own need. Need to access completely for Campbell Biology Seventh Edition book? Access Ebook without any digging. And by having access to our ebook online or by storing it on your computer, you have convenient answers with Little Folks Crib Assembly Manual To get started finding Little Folks Crib Assembly Manual, you are right to find our website which has a comprehensive collection of books online. Our library is the biggest of these that have literally hundreds of thousands of different products represented. You will also see that there are specific sites catered to different categories or niches related with Little Folks Crib Assembly Manual So depending on what exactly you are searching, you will be able to choose ebook to suit your own need. Thank you for reading Little Folks Crib Assembly Manual. Maybe you have knowledge that, people have search numerous times for their favorite readings like this Little Folks Crib Assembly Manual, but end up in harmful downloads. Rather than reading a good book with a cup of coffee in the afternoon, instead they juggled with some harmful bugs inside their laptop. Little Folks Crib Assembly Manual is available in our book collection an online access to it is set as public so you can download it instantly. Our digital library spans in multiple locations, allowing you to get the most less latency time to download any of our books like this one. Merely said, Little Folks Crib Assembly Manual is universally compatible with any devices to read.

Find Little Folks Crib Assembly Manual :

lamant du bosphore

lae cdc1controller manual

[lamb curry and recipe](#)

laboratory manual in physical geology 9

lamant de lady chatterley classiques

[label diagram of white blood cell](#)

~~lab manual science class 9 goyal brothers~~

laboratory manual practical biochemistry

[lagence tome dossier machu picchu](#)

~~labview installation guide~~

~~label external bird anatomy diagram~~

lamazone du taygegravete

lamborghini gallardo workshop wiring parts workshop service

labels of dogfish shark

lady of quality

Little Folks Crib Assembly Manual :

essentials of business research e kitap jonathan wilson - Mar 28 2023

web bir jonathan wilson eseri olan essentials of business research e kitap olarak en cazip fiyat ile d r de keşfetmek için hemen tıklayınız

essentials of business research by jonathan wilson open library - Aug 21 2022

web feb 20 2014 essentials of business research a guide to doing your research project by jonathan wilson 0 ratings 2 want to read 0 currently reading 0 have read this edition doesn t have a description yet can you add one publish date feb 20 2014 publisher sage publications ltd sage pages 376 subjects

essentials of business research sage publications ltd - Oct 03 2023

web essentials of business research a guide to doing your research project second edition jonathan wilson associate professor in marketing and business research norwich business school university of east anglia additional resources online resources other titles in research methods for business management general

essentials of business research semantic scholar - Feb 12 2022

web an investigation into job satisfaction and employee performance at stodels retail nurseries a case study dhirendra govender business 2014 the purpose of this study was to investigate job satisfaction and employee performance at stodels retail nurseries in the western cape the main aim of the study was to determine the level of job

essentials of business research google books - Apr 28 2023

web apr 20 2010 jonathan wilson sage apr 20 2010 social science 336 pages essentials of business research a guide to doing your research project is a concise student friendly text that cuts

essentials of business research google books - Jun 30 2023

web may 15 2017 essentials of business research a guide to doing your research project jonathan wilson google books jonathan wilson sage publications may 15 2017 376 pages a must have

essentials of business research jonathan wilson business - Dec 25 2022

web essentials of business research yazar jonathan wilson yayınevleri sage publications ltd kitap formatı ciltli kutulu kitap *essentials of business research a guide to doing your research project* - Sep 21 2022

web feb 4 2014 once again jonathan wilson has produced a research guide that business students will appreciate and use extensively as they begin or continue their adventures in research bonnie j bachman professor of economics published on 2013 11 29

essentials of business research online resources - Jan 26 2023

web essentials of business research welcome to the companion website for the second edition of essentials of business research by jonathan wilson for instructors powerpoint slides for students author videos journal articles multiple choice questions example dissertations

jonathan wilson essentials of business research a guide to - Jul 20 2022

web may 17 2011 jonathan wilson essentials of business research a guide to doing your research project new delhi sage publications india pvt ltd 2010 316 pp rs 495 isbn 978 81 321 0567 1 pb neena sondhi 2011 5 year impact factor 2 3 submit paper restricted access review article first published online may 17 2011

essentials of business research a guide to doing your - May 18 2022

web essentials of business research a guide to doing your research project by wilson jonathan isbn 10 1446257339 isbn 13 9781446257333 sage publications ltd 2014 softcover essentials of business research a guide to doing your research project wilson jonathan 9781446257333 abebooks skip to main content

essentials of business research a guide to doing your research project - Oct 23 2022

web concise authoritative and jargon free the new edition of jonathan wilson s best selling introduction to business research is the perfect guide to completing a successful research project written specifically for business students it highlights each stage of the research process guiding the reader through actionable steps and explicitly

essentials of business research a guide to doing your research - Mar 16 2022

web jonathan wilson essentials of business research a guide to doing your research project pasta blanda illustrated 4 febrero 2014 edición inglés por jonathan wilson autor 4 5 118 calificaciones

essentials of business research a guide to doing your research - May 30 2023

web essentials of business research a guide to doing your research project wilson jonathan amazon com tr kitap

essentials of business research a guide to doing your research project - Nov 23 2022

web apr 20 2010 jonathan wilson essentials of business research a guide to doing your research project paperback 20 april 2010 by jonathan wilson author 4 8 17 ratings see all formats and editions there is a newer edition of this item essentials of business research a guide to doing your research project 36 99 117 in stock

essentials of business research by jonathan wilson goodreads - Jun 18 2022

web jan 1 2010 essentials of business research jonathan wilson 3 00 3 ratings0 reviews this exciting text from jonathan

wilson is a must have for any student in a business school doing a research methods course or doing a research project
pdf essentials of business research a guide to doing your research - Sep 02 2023

web essentials of business research a guide to doing your research project jonathan wilson marco antonio perez since the publication of the first edition in 2010 the feedback i have received from both lecturers and students suggests that essentials of business research a guide to doing your research project has delivered on what it set out to

essentials of business research google books - Aug 01 2023

web jan 20 2014 jonathan wilson sage jan 20 2014 business economics 376 pages written specifically for business students this best selling jargon free textbook highlights each stage of the

essentials of business research online resources sage india - Apr 16 2022

web welcome to the companion website for essentials of business research a guide to doing your research project second edition by jonathan wilson please note that all the materials on this site are especially geared toward maximizing your understanding of

[essentials of business research a guide to doing your research](#) - Feb 24 2023

web buy essentials of business research a guide to doing your research project second by wilson jonathan isbn 9781446257333 from amazon s book store everyday low prices and free delivery on eligible orders

30 instant pot recipes to love 101 cookbooks - Nov 25 2021

simple 5 ingredient instant pot cookbook 110 easy healthy and - Nov 06 2022

web do you have an instant pot or wanna have one do you want to have easy and delicious foods ma instant pot cookbook the 5 ingredients or less instant pot cookbook

instant pot cookbook for beginners 5 ingredient instant - Jan 08 2023

web simple 5 ingredient instant pot cookbook 110 easy healthy and tasty high pressure cooker recipes for your instant pot cooking at home or any occasio amy stewart

instant pot cookbook the 5 ingredients or less instant - Aug 03 2022

web instant pot recipes 6 x 9 cookbook with cute oct 04 2020 this versatile and practical 6 x 9 blank cookbook is filled with 110 pages waiting to be filled with your favorite

simple 5 ingredient instant pot cookbook 110 easy healthy and - May 12 2023

web find many great new used options and get the best deals for simple 5 ingredient instant pot cookbook 110 easy healthy and tasty high pressure cooker recipes for your

simple 5 ingredient instant pot cookbook 110 easy healthy and - Aug 15 2023

web simple 5 ingredient instant pot cookbook 110 easy healthy and tasty high pressure cooker recipes for your instant pot cooking at home or any occasion save time

instant pot cookbook the 5 ingredients or less instant pot - Feb 26 2022

5 ingredient instant pot recipes easy - Jul 14 2023

web sep 23 2019 these easy 5 ingredient instant pot recipes are a time saver and budget friendly way for everyone looking for efficiency without sacrificing flavor or creativity

instant pot cookbook for beginners 5 ingredient - Oct 05 2022

web jan 9 2023 5 ingredients instant pot cookbook 1500 easy recipes to get meals faster for busy people to master your instant pot and spend less kitchen time with 5

simple 5 ingredient instant pot cookbook 110 easy 2023 - Sep 04 2022

web simple 5 ingredient instant pot cookbook 110 easy healthy and tasty high pressure cooker recipes for your instant pot cooking at home or any occasion save time

simple 5 ingredient instant pot cookbook 110 easy healthy - Apr 11 2023

web buy simple 5 ingredient instant pot cookbook 110 easy healthy and tasty high pressure cooker recipes for your instant pot cooking at home or any occasion

simple 5 ingredient instant pot cookbook 110 easy hea - Dec 07 2022

web simple 5 ingredient instant pot cookbook 110 easy the dairy free comfort food cookbook jan 11 2021 go dairy free comfortably cut out dairy while still enjoying

instant pot cookbook for beginners 5 ingredient instant pot - Jan 28 2022

instant pot cookbook for beginners 5 ingredient - Mar 30 2022

web the focus here is instant pot recipes specifically ones that are on the healthful side of the spectrum this is a resource for recipes you can make in your instant pot or other

simple 5 ingredient instant pot cookbook 110 easy pdf - Apr 30 2022

web jul 24 2019 these recipes are easier than easy with 5 ingredients or less they take minimal time to prepare many of these recipes have super easy ingredients that you

5 ingredient instant pot and slow cooker recipes - Dec 27 2021

5 ingredients instant pot cookbook for beginners - Jun 13 2023

web by sticking to no more than 5 easy to find main ingredients per recipe this cookbook makes it easier than ever for anyone to cook tasty high quality healthy food for

5 ingredient instant pot cookbook 150 easy quick and - Mar 10 2023

web nov 5 2019 instant pot cookbook for beginners 5 ingredient instant pot recipes 550 simple easy and delicious recipes for your electric pressure cooker air fryer

simple 5 ingredient instant pot cookbook 110 easy healthy and - Feb 09 2023

web with the simple 5 simple 5 ingredient instant pot cookbook 110 easy healthy and tasty high pressure cooker recipes for your instant pot cooking at home or any

5 ingredients instant pot cookbook 1500 easy recipes to get - Jul 02 2022

web browse recommendations choice awards genres giveaways new releases genres

simple 5 ingredient instant pot cookbook 110 easy healthy - Jun 01 2022

web buy instant pot cookbook for beginners 5 ingredient instant pot recipes 550 simple easy and delicious recipes for your electric pressure cooker by peterson tracy online

i exalt thee piano instrumental with lyrics by - Feb 27 2023

web i exalt thee by pete sanchez jr youtube try the interactive tutorial or download the sheet music here musescore com user 30522520 scores 5589685 piano

i exalt thee sheet monroecog com - Jun 02 2023

web songselect is your best source for worship sheet music and lyrics i exalt thee official song resources on songselect transposable chords lyrics and song resources for i

i exalt thee 4 hour piano instrumental for prayer and worship - Jun 21 2022

web jul 6 2010 i exalt thee song is found in these titles 16 biggest praise worship vol 1 16 biggest series 25 praise worship favorites for easy level guitar volume 2

i exalt thee piano tutorial and chords youtube - Oct 26 2022

web chords dm g c f chords for i exalt thee piano instrumental with lyrics play along with guitar ukulele or piano with interactive chords and diagrams includes transpose

31 i exalt thee sheet music for piano solo - Sep 05 2023

web i exalt thee 2 12 dm dm c thou art gm b f a ex gm 7 alt ed b far a gm 7 c bove b c all c 7 f c gods b c 16 fmaj 7 c b 2 c i ex chorus f alt thee i ex c f alt

i exalt thee lifeway christian resources - Aug 24 2022

web download the sheet music for i exalt thee by shane shane the worship initiative from the album the worship initiative

volume 2 at praisecharts home top songs

sheet music i exalt thee handbells free scores com - Nov 14 2021

[i exalt thee chords chordu](#) - Dec 16 2021

free i exalt thee by pete sanchez jr sheet music - Aug 04 2023

web learn how to play i exalt thee on the piano our lesson is an easy way to see how to play these sheet music join our community

i exalt thee sheet music pdf pete sanchez - May 01 2023

web you may also be able to watch the tutorial videos for piano acoustic guitar electric guitar bass guitar lead guitar rhythm guitar strumming patterns ukulele drums keyboard

i exalt thee piano tutorial musescore com - Mar 31 2023

web mar 24 2017 learn how to play this song on piano with this easy piano tutorial every worshiper needs to know this about the piano read this worshipping

spiritual i exalt thee sheet music pdf free score download - Jul 23 2022

web download the pdf chord charts for i exalt thee simplified by jesus culture from the album simplified worship at praisecharts

[i exalt thee chords jesus culture worship chords](#) - Nov 26 2022

web jun 11 2022 i exalt thee 4 hours of peaceful instrumental music for worship prayer meditation study healing and rest i will exalt you my god the king i will prai

[songuery com song i exalt thee](#) - Jan 17 2022

[i exalt thee sheet music for piano piano duo](#) - Jul 03 2023

web jun 24 2020 i exalt thee a piano instrumental with lyrics piano cover by andrew poil one of the best classic praise songs by pete sanchez

sheet music scores i exalt thee piano solo en scorsen com - Apr 19 2022

web edited by michael perry arranged by linda r lamb handbell choir for 3 5 octave handbells w optional 3 octave handchimes contemporary contemporary and sacred

[i exalt thee official song resources on songselect](#) - Dec 28 2022

web pdf music sheets for free download pop piano scores toggle navigation hk pop piano academy spiritual i exalt thee sheet

music id 46496 song i exalt thee

i exalt thee simplified chords pdf **jesus culture** - Feb 15 2022

i exalt thee sheet music for piano satb - Oct 06 2023

web share download and print free sheet music for piano guitar flute and more with the world s largest community of sheet music creators composers performers music

i exalt thee piano instrumental with lyrics chords **chordify** - May 21 2022

web tune chords a gbm g d em chords for i exalt thee with key bpm and easy to follow letter notes in sheet play with guitar piano ukulele or any instrument you choose

i exalt thee sheet music pdf shane shane the - Mar 19 2022

i exalt thee by pete sanchez jr youtube - Sep 24 2022

web i exalt thee piano solo 43 sheet music scores original sounds of celebration bb tenor sax solos with ensemble arrangements for two or more players accompanied

i exalt thee sheet music pdf **jesus culture chris** - Jan 29 2023

web first line for thou o lord art high above all the earth duration 3 23 tempo medium hymn number 36 tags praise adoration worship exaltation of god