

(3 Hours)

Marks : 60

- NE :
- (1) Question No.1 is compulsory. Solve any three out of remaining five questions.
 - (2) Use your Judgement for any unspecified dimension.
 - (3) Use First Angle method of projection only.
 - (4) Retain all construction lines.
 - (5) Figures to the right indicate full marks.
 - (6) All dimensions are in mm.

- 2) A circle of 50mm diameter rolls along a straight line without slipping, draw the curve traced by a point 'P' on the circumference of the circle for one complete revolution. 6
- 3) The pictorial view of a machine part is given in Fig. Draw
 - (a) Front View in the direction of 'X' 4
 - (b) Top View 4
 - (c) Insert at least 10 major dimensions 1

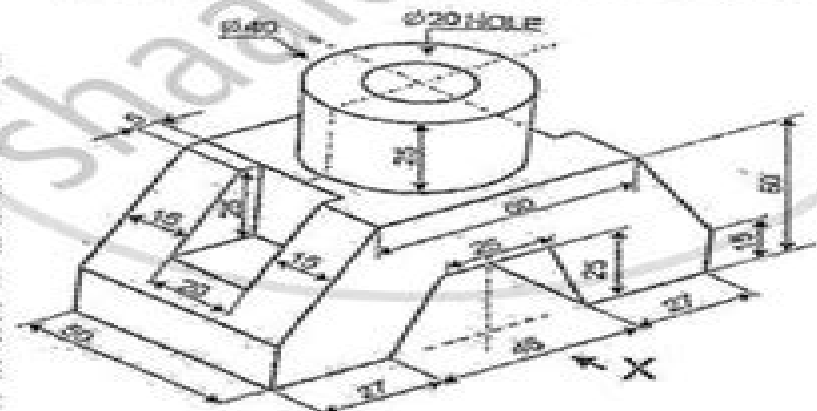


Fig. 1b

- 4) Figure shows a pictorial view of a machine part, Draw:
 - (a) Sectional Front View looking along 'X' (Section A-A) 5
 - (b) Top View 4
 - (c) LHSV 4
 - (d) Insert at least 10 major dimensions. 2

N3 Mechanical Engineering Past Year Paper

SA Adler



N3 Mechanical Engineering Past Year Paper:

GATE : Mechanical Engineering Guide Book - 10 Mock Tests and 6 Previous Year Papers (Solved MCQs and Numerical Based Questions) with Free Access to Online Tests EduGorilla Prep Experts, [GATE Mechanical Engineering Exam Prep Book | 10 Full-length Mock Tests + 6 Previous Year Papers](#) EduGorilla Prep Experts, 2022-08-03 Best Selling Book for GATE Mechanical Engineering Exam with objective type questions as per the latest syllabus Compare your performance with other students using Smart Answer Sheets in EduGorilla's GATE Mechanical Engineering Exam Practice Kit GATE Mechanical Engineering Exam Preparation Kit comes with 16 Tests 10 Mock Tests 6 Previous Year Papers with the best quality content Increase your chances of selection by 14X GATE Mechanical Engineering Exam Prep Kit comes with well structured and 100% detailed solutions for all the questions Clear exam with good grades using thoroughly Researched Content by experts [GATE Mechanical Engineering Notes Book | Topic Wise Note Book | Complete Preparation Guide Book](#) EduGorilla Prep Experts, 2022-10-01 Best Selling Note Book for GATE Mechanical Engineering Exam in English with objective type questions as per the latest syllabus Increase your chances of selection by 16X GATE Mechanical Engineering Notes Book comes with well structured Content Chapter wise Practice Tests for your self evaluation Clear exam with good grades using thoroughly Researched Content by experts **Mechanical Engineering** ,1920 **Mining and Engineering World** ,1910 **Engineering Mechanics Devoted to Mechanical Civil, Mining and Electrical Engineering** ,1882 **Contribution[s]** Massachusetts Institute of Technology. Department of Civil Engineering, 1929 Chiefly reprints from various scientific periodicals [Engineering](#) ,1878 [The City Record](#) New York (N.Y.), 1916 [Transactions of the American Society of Mechanical Engineers](#) American Society of Mechanical Engineers, 1923 Vols 2 4 11 62 68 include the Society's Membership list v 55 80 include the Journal of applied mechanics also issued separately as contributions from the Society's Applied Mechanics Division *Mechanics* ,1889 **Colliery Engineering** ,1927 **Domestic Engineering and the Journal of Mechanical Contracting** ,1907 **Japanese Journal of Engineering. Abstracts** ,1928 **Industrial Engineering** George Worthington, 1904 *The Publishers Weekly* ,1907 **The Annual American Catalog, 1900-1909** ,1907 **The Annual American Catalog, 1906** ,1907 **ASME Technical Papers** ,1985 **Engineering News and American Contract Journal** ,1888

The Enigmatic Realm of **N3 Mechanical Engineering Past Year Paper**: Unleashing the Language is Inner Magic

In a fast-paced digital era where connections and knowledge intertwine, the enigmatic realm of language reveals its inherent magic. Its capacity to stir emotions, ignite contemplation, and catalyze profound transformations is nothing lacking extraordinary. Within the captivating pages of **N3 Mechanical Engineering Past Year Paper** a literary masterpiece penned by a renowned author, readers embark on a transformative journey, unlocking the secrets and untapped potential embedded within each word. In this evaluation, we shall explore the book's core themes, assess its distinct writing style, and delve into its lasting effect on the hearts and minds of those that partake in its reading experience.

https://splashdogs.com/About/publication/index.jsp/Frigidaire_Dehumidifier_Manual_50_Pint.pdf

Table of Contents N3 Mechanical Engineering Past Year Paper

1. Understanding the eBook N3 Mechanical Engineering Past Year Paper
 - The Rise of Digital Reading N3 Mechanical Engineering Past Year Paper
 - Advantages of eBooks Over Traditional Books
2. Identifying N3 Mechanical Engineering Past Year Paper
 - Exploring Different Genres
 - Considering Fiction vs. Non-Fiction
 - Determining Your Reading Goals
3. Choosing the Right eBook Platform
 - Popular eBook Platforms
 - Features to Look for in an N3 Mechanical Engineering Past Year Paper
 - User-Friendly Interface
4. Exploring eBook Recommendations from N3 Mechanical Engineering Past Year Paper
 - Personalized Recommendations
 - N3 Mechanical Engineering Past Year Paper User Reviews and Ratings
 - N3 Mechanical Engineering Past Year Paper and Bestseller Lists

5. Accessing N3 Mechanical Engineering Past Year Paper Free and Paid eBooks
 - N3 Mechanical Engineering Past Year Paper Public Domain eBooks
 - N3 Mechanical Engineering Past Year Paper eBook Subscription Services
 - N3 Mechanical Engineering Past Year Paper Budget-Friendly Options
6. Navigating N3 Mechanical Engineering Past Year Paper eBook Formats
 - ePub, PDF, MOBI, and More
 - N3 Mechanical Engineering Past Year Paper Compatibility with Devices
 - N3 Mechanical Engineering Past Year Paper Enhanced eBook Features
7. Enhancing Your Reading Experience
 - Adjustable Fonts and Text Sizes of N3 Mechanical Engineering Past Year Paper
 - Highlighting and Note-Taking N3 Mechanical Engineering Past Year Paper
 - Interactive Elements N3 Mechanical Engineering Past Year Paper
8. Staying Engaged with N3 Mechanical Engineering Past Year Paper
 - Joining Online Reading Communities
 - Participating in Virtual Book Clubs
 - Following Authors and Publishers N3 Mechanical Engineering Past Year Paper
9. Balancing eBooks and Physical Books N3 Mechanical Engineering Past Year Paper
 - Benefits of a Digital Library
 - Creating a Diverse Reading Collection N3 Mechanical Engineering Past Year Paper
10. Overcoming Reading Challenges
 - Dealing with Digital Eye Strain
 - Minimizing Distractions
 - Managing Screen Time
11. Cultivating a Reading Routine N3 Mechanical Engineering Past Year Paper
 - Setting Reading Goals N3 Mechanical Engineering Past Year Paper
 - Carving Out Dedicated Reading Time
12. Sourcing Reliable Information of N3 Mechanical Engineering Past Year Paper
 - Fact-Checking eBook Content of N3 Mechanical Engineering Past Year Paper
 - Distinguishing Credible Sources
13. Promoting Lifelong Learning

- Utilizing eBooks for Skill Development
 - Exploring Educational eBooks
14. Embracing eBook Trends
- Integration of Multimedia Elements
 - Interactive and Gamified eBooks

N3 Mechanical Engineering Past Year Paper Introduction

Free PDF Books and Manuals for Download: Unlocking Knowledge at Your Fingertips In today's fast-paced digital age, obtaining valuable knowledge has become easier than ever. Thanks to the internet, a vast array of books and manuals are now available for free download in PDF format. Whether you are a student, professional, or simply an avid reader, this treasure trove of downloadable resources offers a wealth of information, conveniently accessible anytime, anywhere. The advent of online libraries and platforms dedicated to sharing knowledge has revolutionized the way we consume information. No longer confined to physical libraries or bookstores, readers can now access an extensive collection of digital books and manuals with just a few clicks. These resources, available in PDF, Microsoft Word, and PowerPoint formats, cater to a wide range of interests, including literature, technology, science, history, and much more. One notable platform where you can explore and download free N3 Mechanical Engineering Past Year Paper PDF books and manuals is the internet's largest free library. Hosted online, this catalog compiles a vast assortment of documents, making it a veritable goldmine of knowledge. With its easy-to-use website interface and customizable PDF generator, this platform offers a user-friendly experience, allowing individuals to effortlessly navigate and access the information they seek. The availability of free PDF books and manuals on this platform demonstrates its commitment to democratizing education and empowering individuals with the tools needed to succeed in their chosen fields. It allows anyone, regardless of their background or financial limitations, to expand their horizons and gain insights from experts in various disciplines. One of the most significant advantages of downloading PDF books and manuals lies in their portability. Unlike physical copies, digital books can be stored and carried on a single device, such as a tablet or smartphone, saving valuable space and weight. This convenience makes it possible for readers to have their entire library at their fingertips, whether they are commuting, traveling, or simply enjoying a lazy afternoon at home. Additionally, digital files are easily searchable, enabling readers to locate specific information within seconds. With a few keystrokes, users can search for keywords, topics, or phrases, making research and finding relevant information a breeze. This efficiency saves time and effort, streamlining the learning process and allowing individuals to focus on extracting the information they need. Furthermore, the availability of free PDF books and manuals fosters a culture of continuous learning. By removing financial barriers, more people can access educational resources and pursue lifelong

learning, contributing to personal growth and professional development. This democratization of knowledge promotes intellectual curiosity and empowers individuals to become lifelong learners, promoting progress and innovation in various fields. It is worth noting that while accessing free N3 Mechanical Engineering Past Year Paper PDF books and manuals is convenient and cost-effective, it is vital to respect copyright laws and intellectual property rights. Platforms offering free downloads often operate within legal boundaries, ensuring that the materials they provide are either in the public domain or authorized for distribution. By adhering to copyright laws, users can enjoy the benefits of free access to knowledge while supporting the authors and publishers who make these resources available. In conclusion, the availability of N3 Mechanical Engineering Past Year Paper free PDF books and manuals for download has revolutionized the way we access and consume knowledge. With just a few clicks, individuals can explore a vast collection of resources across different disciplines, all free of charge. This accessibility empowers individuals to become lifelong learners, contributing to personal growth, professional development, and the advancement of society as a whole. So why not unlock a world of knowledge today? Start exploring the vast sea of free PDF books and manuals waiting to be discovered right at your fingertips.

FAQs About N3 Mechanical Engineering Past Year Paper Books

1. Where can I buy N3 Mechanical Engineering Past Year Paper books? Bookstores: Physical bookstores like Barnes & Noble, Waterstones, and independent local stores. Online Retailers: Amazon, Book Depository, and various online bookstores offer a wide range of books in physical and digital formats.
2. What are the different book formats available? Hardcover: Sturdy and durable, usually more expensive. Paperback: Cheaper, lighter, and more portable than hardcovers. E-books: Digital books available for e-readers like Kindle or software like Apple Books, Kindle, and Google Play Books.
3. How do I choose a N3 Mechanical Engineering Past Year Paper book to read? Genres: Consider the genre you enjoy (fiction, non-fiction, mystery, sci-fi, etc.). Recommendations: Ask friends, join book clubs, or explore online reviews and recommendations. Author: If you like a particular author, you might enjoy more of their work.
4. How do I take care of N3 Mechanical Engineering Past Year Paper books? Storage: Keep them away from direct sunlight and in a dry environment. Handling: Avoid folding pages, use bookmarks, and handle them with clean hands. Cleaning: Gently dust the covers and pages occasionally.
5. Can I borrow books without buying them? Public Libraries: Local libraries offer a wide range of books for borrowing. Book Swaps: Community book exchanges or online platforms where people exchange books.

6. How can I track my reading progress or manage my book collection? Book Tracking Apps: Goodreads, LibraryThing, and Book Catalogue are popular apps for tracking your reading progress and managing book collections. Spreadsheets: You can create your own spreadsheet to track books read, ratings, and other details.
7. What are N3 Mechanical Engineering Past Year Paper audiobooks, and where can I find them? Audiobooks: Audio recordings of books, perfect for listening while commuting or multitasking. Platforms: Audible, LibriVox, and Google Play Books offer a wide selection of audiobooks.
8. How do I support authors or the book industry? Buy Books: Purchase books from authors or independent bookstores. Reviews: Leave reviews on platforms like Goodreads or Amazon. Promotion: Share your favorite books on social media or recommend them to friends.
9. Are there book clubs or reading communities I can join? Local Clubs: Check for local book clubs in libraries or community centers. Online Communities: Platforms like Goodreads have virtual book clubs and discussion groups.
10. Can I read N3 Mechanical Engineering Past Year Paper books for free? Public Domain Books: Many classic books are available for free as they're in the public domain. Free E-books: Some websites offer free e-books legally, like Project Gutenberg or Open Library.

Find N3 Mechanical Engineering Past Year Paper :

[frigidaire dehumidifier manual 50 pint](#)

[freightliner wiring diagram 1997](#)

[french bien dit answers vocabulary 1](#)

[frommers guide england](#)

[frigidaire affinity washer problems](#)

[frigidaire manual for part](#)

[freightliner fld120 chassis drawings](#)

[friday the 13th super teacher worksheets](#)

[freightliner fl80 wiring diagrams](#)

[frigidaire hood user guide](#)

[from seed to plant gail gibbons](#)

[frigidaire affinity gas dryer manual](#)

[freightliner 2013 owners manual](#)

from pain to parenthood a journey through miscarriage to adoption

frog and human anatomy differences

N3 Mechanical Engineering Past Year Paper :

northstar 5 listening and speaking teacher manual download - Feb 15 2023

web northstar listening speaking level 5 teachers manual with unit achievement tests the development of a common framework scale of language proficiency northstar reading and writing 5 myenglishlab international edition

northstar adult english language learning pearson languages - Jul 20 2023

web a well structured curriculum supports students in becoming critical thinkers and building the real world speaking and writing skills necessary to succeed in higher level courses with seamless integration of print and online components

northstar fifth edition builds on the success of previous editions by engaging and motivating students with

northstar5 pearson - Aug 21 2023

web use powerful selection of diagnostic reports to view student scores by unit skill and activity monitor student progress on any activity or test as often as needed analyze class data to determine steps for remediation and support use teacher resource etext to

nstar5 teacher s manual and achievements tests pdf scribd - Sep 22 2023

web overview of the teacher s manual and achievement tests xvfachievement tests the reproducible achievement tests allow teachers to evaluate students progress and to identify areas where the students might have problems

northstar teacher manual level 5 pdf uniport edu - Jul 08 2022

web aug 24 2023 guides you could enjoy now is northstar teacher manual level 5 below northstar reading and writing 5

audio cds 2 robert cohen 2008 10 01 the northstar audio cds contain the audio of all reading passages in the student book

northstar now in its third edition motivates students to succeed in their academic as well as personal

northstar 5 teacher manual pdf pdf isip ovcrd upd edu - Nov 12 2022

web northstar 5 teacher manual pdf pages 2 4 northstar 5 teacher manual pdf upload dona r williamson 2 4 downloaded from isip ovcrd upd edu ph on september 20 2023 by dona r williamson frances ebbers 1992 01 01 the development of a common framework scale of language proficiency

northstar 5 listening and speaking teacher manual download - Dec 13 2022

web northstar 5 listening and speaking teacher manual 2018 04 07 3 20 northstar 5 listening and speaking teacher manual academic encounters level 1 teacher s manual listening and speaking 2013 06 17 a paired skills series uses a sustained content approach to teach skills necessary for

northstar teacher manual level 5 pdf uniport edu - Apr 05 2022

web may 11 2023 northstar teacher manual level 5 1 9 downloaded from uniport edu ng on may 11 2023 by guest northstar teacher manual level 5 as recognized adventure as capably as experience roughly lesson amusement as competently as concurrence can be gotten by just checking out a book northstar

northstar teacher manual level 5 by veronicashears1713 issuu - Mar 16 2023

web sep 22 2017 read northstar teacher manual level 5 by veronicashears1713 on issuu and browse thousands of other publications on our platform start here

northstar 5 listening and speaking teacher manual - Jan 14 2023

web northstar 5 listening and speaking teacher manual present yourself 1 teacher s manual dec 29 2020 present yourself is a presentation skills course for adult and young adult learners of english the teacher s manual provides step by step teaching instructions and fresh ideas for expanding upon exercise types in the student s book

northstar 5 teacher manual download only - Apr 17 2023

web ventures transitions level 5 teacher s manual sep 03 2023 ventures is a six level standards based esl series for adult education esl this teacher s manual provides instructional support that makes transitions even easier to teach key features include lesson plans for teaching clear and engaging classes lesson notes with

northstar teacher manual level 5 orientation sutd edu - Jun 07 2022

web level 5 northstar teacher manual level 5 nortel networks t7316 phone manual or northstar 5 teacher manual or nokia more related with northstar writing 5 teacher manual entry

northstar 4th edition english language teaching pearson - Jun 19 2023

web northstar 4th edition series editors frances boyd and carol numrich levels 5 levels a2 c2 language american english

northstar teacher manual level 5 pdf uniport edu - May 06 2022

web jul 10 2023 northstar teacher manual level 5 2 8 downloaded from uniport edu ng on july 10 2023 by guest audio lesson planners video activities videoscripts teacher s manuals answer keys and a downloadable placement test accessible through myenglishlab northstar classroom audio

northstar 5th edition english language teaching pearson - Oct 23 2023

web teacher s notes resources the teacher s resources can be accessed online as printable pdfs they provide pedagogical tips answer keys and assessments in addition to a digital version of the student book downloadable achievement tests classroom audio audioscripts video activities videoscripts teacher s manual lesson planners

northstar 5 pdf scribd - May 18 2023

web building on the success of previous editions northstar continues to engage and motivate students through new and

updated contemporary sithentic tice in 2 eonles integration of pent and online content students will achieve their academic a5 well as language and personal goals in order to meet the challenges ofthe 21 century

northstar teacher manual level 5 orientation sutd edu - Mar 04 2022

web best ebooks northstar teacher manual level 5 special offer northstar teacher manual level 5 northstar teacher manual level 5 book lovers when you need a new book to read find the book here read and download northstar teacher manual level 5 free ebooks in pdf format hayden mcneil lab manual answers jee mains paper 2

northstar 5 and writing teacher manual copy esource svb - Oct 11 2022

web northstar 5 and writing teacher manual teaching and learning english in east asian universities northstar reading and writing 5 audio cds 2 northstar reading writing level 5 teachers manual with unit achievement tests northstar reading and writing 5 myenglishlab international edition northstar north star northstar

northstar 5 listening and speaking teacher manual wiki lwn - Aug 09 2022

web the enigmatic realm of northstar 5 listening and speaking teacher manual unleashing the language is inner magic in a fast paced digital era where connections and knowledge intertwine the enigmatic realm of language reveals its inherent magic

northstar teacher manual level 5 pdf copy isip ovcrd upd edu - Sep 10 2022

web northstar has an accompanying teacher resource etext with the following digital student book downloadable achievement tests classroom audio lesson planners video activities videoscripts teacher s manuals answer keys and a downloadable placement test

strata quilts sew easy strata star is a great new pattern for you - Aug 03 2022

web oct 30 2016 strata quilts sew easy strata star is a great new pattern for you

20 easy star quilt patterns for a beginner sewcanshe - Jul 14 2023

web oct 6 2023 half square triangle star baby is a fast and easy baby quilt pattern that will teach you a short cut method for making half square triangles i used a solid background fabric and some cute nautical themed fabrics to make an adorable quilt for a little boy this 40 x 40 quilt pattern is fat quarter friendly too

45 free star quilt patterns favequilts com - Oct 05 2022

web jan 11 2017 check out our list of 45 free star quilt patterns for free block designs and quilt ideas for all the star quilting tutorials you ll ever need new quilters can get started with star quilt patterns for beginners while more advanced quilters can try one of the more complex and creative nbsp star quilt block patterns nbsp that are sure

strata quilt pattern with tutorial aka stratavarious youtube - Aug 15 2023

web feb 11 2014 get access to the full webinar here dailycrafttv com videos 22 and the strata quilt pattern while learning

how to make it with is also called a stratavarious quilt the

quilting land strata star table topper - May 12 2023

web strata star table topper strata star table topper the topper is the perfect compliment to the shape and color of the light and best of all the project was made so much easier using the 1 1 2 strip cutter

new and exciting strata star table topper to make - Oct 17 2023

web oct 12 2016 or turn a square ruler on point and use tape to easily see markings and cut the right sizes click here to download the swirling stars card trick table topper pattern watch this video tutorial easy to follow step by step instructions to make the perfect strata star table topper

strata star table topper tutorial youtube stars table topper quilt - Feb 26 2022

web quilting runner topper patterns make this quick and easy table topper in an afternoon you ll be amazed at how fast it goes together it s a great project to use up your leftover 2 1 2 strips size 26 1 2 x 23 1 2 skill level confident beginner

strata star quilts pinterest - Jun 01 2022

web dec 28 2020 explore joanne patton s board strata star quilts followed by 278 people on pinterest see more ideas about star quilts quilts quilt patterns

how to make a star quilt step by step tutorial - Jan 08 2023

web dec 7 2020 one of the most traditional and recognizable patterns for quilts is a star quilt star quilt blocks can have various designs but will always have those beautiful crisp points to let you know that it is a star if you were to search online for a quilted star pattern you may be bombarded with a vast selection and not know quite where

free 8 point star quilt pattern and tutorial - Dec 07 2022

web apr 15 2021 take one $5 \frac{7}{8} \times 11 \frac{1}{4}$ rectangle and two $5 \frac{7}{8}$ star point squares to your work area draw a diagonal line with a fabric pen on the wrong side of both squares as illustrated in the photo below if your fabric has a directional pattern keep that in mind when drawing your line and piecing your flying geese place one of the squares onto

strata star accuquilt - Apr 11 2023

web this is a 36 strata star table topper i made it with a pattern from ruthann eckersley i gave this to my friend barbara as a house warming gift it sits on her round breakfast table under a beautiful light fixture that looks like a cosmo without the stem the topper is the perfect compliment to the shape and color of the light and best of all

how to sew a beginner eight point star quilt block by edyta - Jun 13 2023

web jul 3 2014 save 785k views 9 years ago learn how to make an eight point star quilt block with this beginner friendly tutorial from edyta sitar of laundry basket quilts sew along with edyta as she

strip pieced topper - Feb 09 2023

web strip pieced topper july 30 20172 comments my friend barb sent me a picture she found on facebook of a lovely table topper it was a pattern by ruthann eckersley called sew easy strata star all of her patterns are available at ruthsquilting com patterns

how to sew a star quilt using square panels free quilt patterns - Nov 06 2022

web nov 17 2023 1 use the pencil or fabric marking pen to draw a diagonal line across the wrong side of four 5 7 8 print fabric squares for a star this is a cutting line 2 place two 5 7 8 squares right sides together on a 11 1 4 background fabric square aligned with opposite corners

learning to sew strata star blogger - Sep 16 2023

web aug 22 2013 strata star kit strata star table runner a neat pattern for sure i found this last night while watching some sewing video tutorials i love the look of the squares i checked out the kits at the link above and i couldn t make up my mind between the christmas kit of the pink one it was hard and i couldn t do it so i ordered

ruthsquilting com - Mar 30 2022

web sew easy strata star 36 x 36 and 42 x 42 the pattern and instructions are so easy to follow you will just love how fast and fun it is to complete this project designed by ruthann eckersley pattern 12 00 1 50 postage total 13 50

big star quilt free pattern sewcanshe - Jul 02 2022

web jun 4 2023 arrange the half square triangles together with your 8 1 2 background squares and 8 1 2 x 16 1 2 background fabric rectangles to make 16 blocks as seen above 2 sewing instructions for the blocks are below sew the 16 blocks with a 1 4 seam allowance press tips each quilt block is repeated 2 times

quilt today strata star table topper quilt tutorial - Mar 10 2023

web quilt today strata star table topper quilt tutorial the following quilting patterns are from external sources and are not created by me i have provided the links to the original designers who have kindly offered their patterns for free

the color strata quilt tutorial missouri star quilt co - Sep 04 2022

web with jenny doan is dancing with the stars patchwork stars that is watch now rob teaches us how to make his famous color strata quilt using 2 5 inch strips of precut fabric jelly rolls

sew easy strata star 2 queen sized quilt quiltingboard forums - Apr 30 2022

web sep 30 2012 main sew easy strata star 2 queen sized quilt has anyone made the sew easy strata star 2 bed quilt if so did you do the borders like the pattern shows or did you change them i d love to see some pictures and get

3 105 rainy day drawing stock photos high res pictures - Aug 15 2023

web browse getty images premium collection of high quality authentic rainy day drawing stock photos royalty free images and pictures rainy day drawing stock photos are available in a variety of sizes and formats to fit your needs

[rainy day drawings pixels](#) - Oct 05 2022

web choose your favorite rainy day drawings from 296 available designs all rainy day drawings ship within 48 hours and include a 30 day money back guarantee looking for design inspiration

easy and simple rainy day drawing youtube - Feb 09 2023

web may 31 2020 material used soft oil pastel colours amzn to 3wfpdpc brush tip colour marker pens amzn to 2t6gxjt plastic crayon colour amzn to

[rainy day pictures drawing for ukg pdf gccca](#) - Aug 03 2022

web mar 23 2023 getting this info acquire the rainy day pictures drawing for ukg pdf connect that we pay for here and check out the link you could buy guide rainy day pictures drawing for ukg pdf or acquire it as soon as feasible you could quickly download this rainy day pictures drawing for ukg pdf after getting deal so behind

51 000 rainy day pictures freepik - Sep 04 2022

web you can find download the most popular rainy day photos on freepik remember that these high quality images are free for commercial use discover over 1 million stock photos

rainy day illustrations and clipart 8 791 can stock photo - Jan 08 2023

web over 8 791 rainy day pictures to choose from with no signup needed download in under 30 seconds rainy day illustrations and clipart 8 791 rainy day royalty free illustrations drawings and graphics available to search from thousands of vector eps clip art providers

free rainy day pictures drawing for ukg pdf - Mar 10 2023

web rainy day pictures drawing for ukg pdf but stop going on in harmful downloads rather than enjoying a good book past a mug of coffee in the afternoon otherwise they juggled following some harmful virus inside their computer

[rainy day picture gallery activity village](#) - Apr 30 2022

web rainy days don t need to be dull when you can have fun drawing some mini pictures just print out this rainy day picture gallery then ask the kids to draw their own collection of rainy day artwork rainy day picture gallery log in or become a member to download

210 best rainy day drawing ideas umbrella art art painting rainy - Jun 13 2023

web oct 24 2021 explore expressive tees by shonne s board rainy day drawing on pinterest see more ideas about umbrella art art painting rainy day drawing

rainy day pictures drawing for ukg - Apr 11 2023

web rainy day pictures drawing for ukg moving pictures nov 05 2019 explores the complex relationship between american art and the new medium of film one drawing a day apr 22 2021 divthrough 46 daily exercises which make up a complete 6 week

course you will keep your artistic skills sharp and your imaginations fertile by doing one

rainy day pictures drawing for ukgsam arabtravelers - Jul 02 2022

web on a rainy day told through spare text and bold sound effects sarah luann perkins unique linocut like textured illustrations create a fun read aloud experience for both reader and listener

rainy day pictures drawing for ukgs pdf - Mar 30 2022

web rainy day pictures drawing for ukgs pdf is available in our book collection an online access to it is set as public so you can download it instantly our digital library spans in multiple locations allowing you to get the most less latency time to download any of our books like this one

free downloadable rainy day drawing for kids byju s - Feb 26 2022

web a list of free downloadable rainy day drawing for kids here is a list of byju s free printable rainy day drawing for kids to practise drawing colouring and tracing drawing a rainy day picture download pdf colouring a rainy day picture download pdf how to help kids draw a rainy day a step by step tutorial

rainy season drawing royalty free images shutterstock - May 12 2023

web find rainy season drawing stock images in hd and millions of other royalty free stock photos illustrations and vectors in the shutterstock collection thousands of new high quality pictures added every day

how to draw a rainy day usign mehndi pinky mehndi youtube - Dec 27 2021

web how to draw a rainy day usign mehndi boy in the rain drawing usign mehndi pinky mehndi arts credits music by ncs youtu be cdbvv1fpsrs ps art drawing

rainy day pictures drawing for ukgs gayle mindes - Jun 01 2022

web as acuteness of this rainy day pictures drawing for ukgs can be taken as skillfully as picked to act ella s umbrellas jennifer lloyd 2017 10 24 this award winning picture book from jennifer lloyd and ashley spires the perfect read for a rainy day is now available in paperback bartholomew and the oobleck dr seuss 2013 11 05

how to draw a rainy day easy step by step guide i m a - Nov 06 2022

web step 1 start with the clouds start off with drawing the rain clouds as their placement will determine how the rest of your rainy day picture will look to draw a typical rain cloud sketch two slightly curved lines that dip down in the middle then add a few smaller oval shapes inside of these curved lines to create the cloud

rainy day drawing at getdrawings free download - Jul 14 2023

web rainy day drawing here presented 55 rainy day drawing images for free to download print or share learn how to draw rainy day pictures using these outlines or print just for coloring you can edit any of drawings via our online image editor before downloading

rainy day sketch for kids painting valley - Jan 28 2022

web are you looking for the best images of rainy day sketch for kids here you are we collected 39 rainy day sketch for kids paintings in our online museum of paintings paintingvalley com

how to draw a rainy day season picture youtube - Dec 07 2022

web how to draw a rainy day season picture step by step for beginners ap drawing youtube today i am show how to draw rainy day picture drawing step by step for beginners hello friends i am