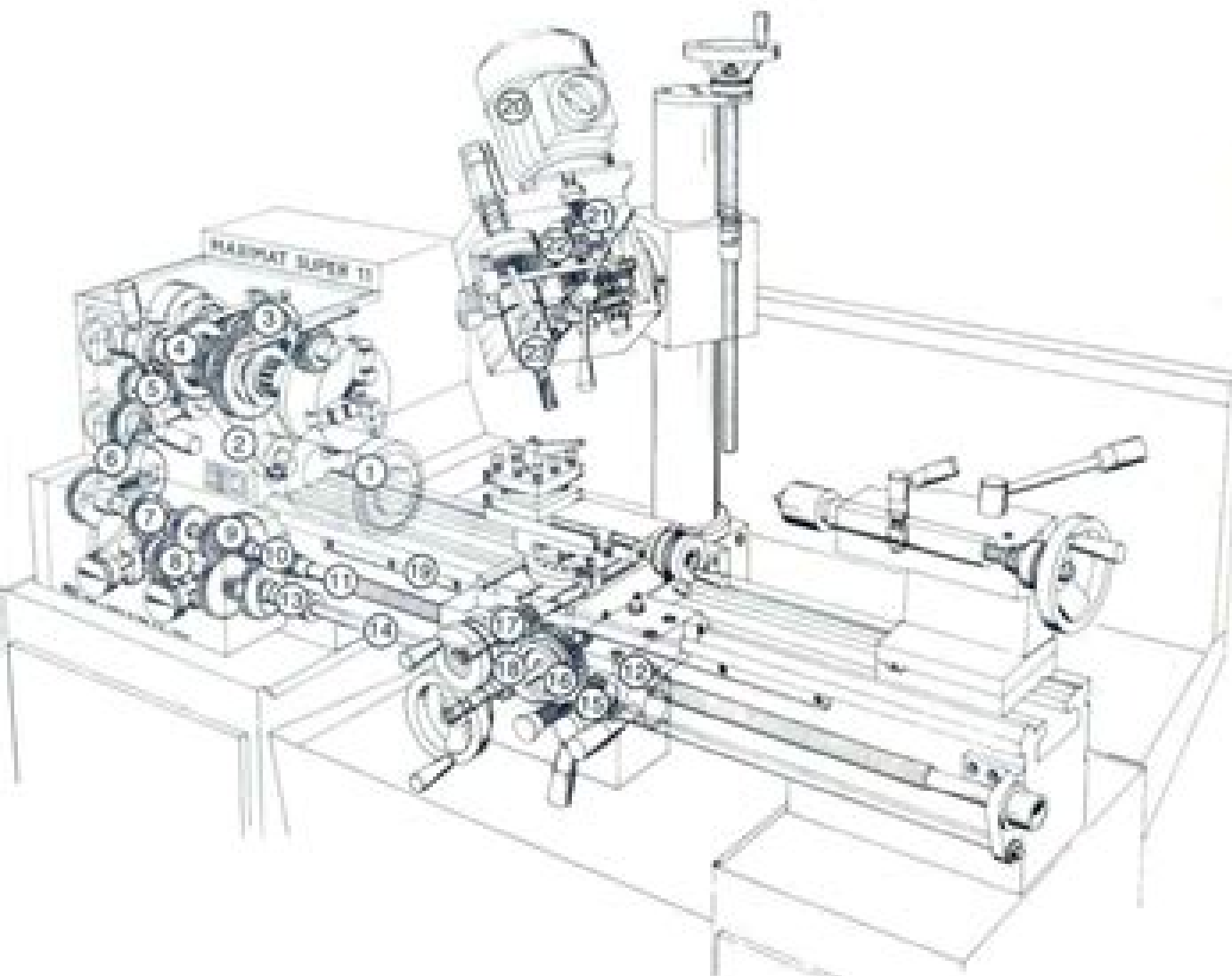


MAXIMAT SUPER 11



Kraftübertragung - MAXIMAT SUPER 11 Werkzeugmaschine

- | | |
|------------------|---|
| Motor | Aufzüge- und Übersetzungs-
einheit (Schwungradtrieb) |
| 1. Motor | 1. Schwungradtrieb |
| 2. Motorflansch | 2. Schwungradtrieb |
| 3. Motorflansch | 3. Schwungradtrieb |
| 4. Motorflansch | 4. Schwungradtrieb |
| 5. Motorflansch | 5. Schwungradtrieb |
| 6. Motorflansch | 6. Schwungradtrieb |
| 7. Motorflansch | 7. Schwungradtrieb |
| 8. Motorflansch | 8. Schwungradtrieb |
| 9. Motorflansch | 9. Schwungradtrieb |
| 10. Motorflansch | 10. Schwungradtrieb |
| 11. Motorflansch | 11. Schwungradtrieb |
| 12. Motorflansch | 12. Schwungradtrieb |
| 13. Motorflansch | 13. Schwungradtrieb |
| 14. Motorflansch | 14. Schwungradtrieb |
| 15. Motorflansch | 15. Schwungradtrieb |
| 16. Motorflansch | 16. Schwungradtrieb |
| 17. Motorflansch | 17. Schwungradtrieb |
| 18. Motorflansch | 18. Schwungradtrieb |
| 19. Motorflansch | 19. Schwungradtrieb |
| 20. Motorflansch | 20. Schwungradtrieb |
| 21. Motorflansch | 21. Schwungradtrieb |
| 22. Motorflansch | 22. Schwungradtrieb |
| 23. Motorflansch | 23. Schwungradtrieb |
| 24. Motorflansch | 24. Schwungradtrieb |
| 25. Motorflansch | 25. Schwungradtrieb |
| 26. Motorflansch | 26. Schwungradtrieb |
| 27. Motorflansch | 27. Schwungradtrieb |
| 28. Motorflansch | 28. Schwungradtrieb |

Transmission of Power - Machine Tool MAXIMAT SUPER 11

- | | |
|------------------|--|
| Motor | Die Übersetzungs- und
Schwungradtrieb |
| 1. Motor | 1. Schwungradtrieb |
| 2. Motorflansch | 2. Schwungradtrieb |
| 3. Motorflansch | 3. Schwungradtrieb |
| 4. Motorflansch | 4. Schwungradtrieb |
| 5. Motorflansch | 5. Schwungradtrieb |
| 6. Motorflansch | 6. Schwungradtrieb |
| 7. Motorflansch | 7. Schwungradtrieb |
| 8. Motorflansch | 8. Schwungradtrieb |
| 9. Motorflansch | 9. Schwungradtrieb |
| 10. Motorflansch | 10. Schwungradtrieb |
| 11. Motorflansch | 11. Schwungradtrieb |
| 12. Motorflansch | 12. Schwungradtrieb |
| 13. Motorflansch | 13. Schwungradtrieb |
| 14. Motorflansch | 14. Schwungradtrieb |
| 15. Motorflansch | 15. Schwungradtrieb |
| 16. Motorflansch | 16. Schwungradtrieb |
| 17. Motorflansch | 17. Schwungradtrieb |
| 18. Motorflansch | 18. Schwungradtrieb |
| 19. Motorflansch | 19. Schwungradtrieb |
| 20. Motorflansch | 20. Schwungradtrieb |
| 21. Motorflansch | 21. Schwungradtrieb |
| 22. Motorflansch | 22. Schwungradtrieb |
| 23. Motorflansch | 23. Schwungradtrieb |
| 24. Motorflansch | 24. Schwungradtrieb |
| 25. Motorflansch | 25. Schwungradtrieb |
| 26. Motorflansch | 26. Schwungradtrieb |
| 27. Motorflansch | 27. Schwungradtrieb |
| 28. Motorflansch | 28. Schwungradtrieb |

Transmission des forces - Machine - outil universel MAXIMAT SUPER 11

- | | |
|--------------------|--|
| Les moteurs | Le train d'engrenages et
le train de transmission |
| 1. Moteur | 1. Train d'engrenages et train de transmission |
| 2. Moteur | 2. Train d'engrenages et train de transmission |
| 3. Moteur | 3. Train d'engrenages et train de transmission |
| 4. Moteur | 4. Train d'engrenages et train de transmission |
| 5. Moteur | 5. Train d'engrenages et train de transmission |
| 6. Moteur | 6. Train d'engrenages et train de transmission |
| 7. Moteur | 7. Train d'engrenages et train de transmission |
| 8. Moteur | 8. Train d'engrenages et train de transmission |
| 9. Moteur | 9. Train d'engrenages et train de transmission |
| 10. Moteur | 10. Train d'engrenages et train de transmission |
| 11. Moteur | 11. Train d'engrenages et train de transmission |
| 12. Moteur | 12. Train d'engrenages et train de transmission |
| 13. Moteur | 13. Train d'engrenages et train de transmission |
| 14. Moteur | 14. Train d'engrenages et train de transmission |
| 15. Moteur | 15. Train d'engrenages et train de transmission |
| 16. Moteur | 16. Train d'engrenages et train de transmission |
| 17. Moteur | 17. Train d'engrenages et train de transmission |
| 18. Moteur | 18. Train d'engrenages et train de transmission |
| 19. Moteur | 19. Train d'engrenages et train de transmission |
| 20. Moteur | 20. Train d'engrenages et train de transmission |
| 21. Moteur | 21. Train d'engrenages et train de transmission |
| 22. Moteur | 22. Train d'engrenages et train de transmission |
| 23. Moteur | 23. Train d'engrenages et train de transmission |
| 24. Moteur | 24. Train d'engrenages et train de transmission |
| 25. Moteur | 25. Train d'engrenages et train de transmission |
| 26. Moteur | 26. Train d'engrenages et train de transmission |
| 27. Moteur | 27. Train d'engrenages et train de transmission |
| 28. Moteur | 28. Train d'engrenages et train de transmission |

Transmisión de Fuerzas - Máquina Herramienta MAXIMAT SUPER 11

- | | |
|--------------------|---|
| Los motores | El tren de engranajes y
el tren de transmisión |
| 1. Motor | 1. Tren de engranajes y tren de transmisión |
| 2. Motor | 2. Tren de engranajes y tren de transmisión |
| 3. Motor | 3. Tren de engranajes y tren de transmisión |
| 4. Motor | 4. Tren de engranajes y tren de transmisión |
| 5. Motor | 5. Tren de engranajes y tren de transmisión |
| 6. Motor | 6. Tren de engranajes y tren de transmisión |
| 7. Motor | 7. Tren de engranajes y tren de transmisión |
| 8. Motor | 8. Tren de engranajes y tren de transmisión |
| 9. Motor | 9. Tren de engranajes y tren de transmisión |
| 10. Motor | 10. Tren de engranajes y tren de transmisión |
| 11. Motor | 11. Tren de engranajes y tren de transmisión |
| 12. Motor | 12. Tren de engranajes y tren de transmisión |
| 13. Motor | 13. Tren de engranajes y tren de transmisión |
| 14. Motor | 14. Tren de engranajes y tren de transmisión |
| 15. Motor | 15. Tren de engranajes y tren de transmisión |
| 16. Motor | 16. Tren de engranajes y tren de transmisión |
| 17. Motor | 17. Tren de engranajes y tren de transmisión |
| 18. Motor | 18. Tren de engranajes y tren de transmisión |
| 19. Motor | 19. Tren de engranajes y tren de transmisión |
| 20. Motor | 20. Tren de engranajes y tren de transmisión |
| 21. Motor | 21. Tren de engranajes y tren de transmisión |
| 22. Motor | 22. Tren de engranajes y tren de transmisión |
| 23. Motor | 23. Tren de engranajes y tren de transmisión |
| 24. Motor | 24. Tren de engranajes y tren de transmisión |
| 25. Motor | 25. Tren de engranajes y tren de transmisión |
| 26. Motor | 26. Tren de engranajes y tren de transmisión |
| 27. Motor | 27. Tren de engranajes y tren de transmisión |
| 28. Motor | 28. Tren de engranajes y tren de transmisión |

Maximat Super 11 Manual

Karin Nielsen-Saines



Maximat Super 11 Manual:

School Shop ,1984 **Huebner's Machine Tool Specs: Threading through turning machines** ,1980 **Industrial Education** ,1983 **Model Railroad Craftsman** ,1984 *Popular Science* ,1995-05 Popular Science gives our readers the information and tools to improve their technology and their world The core belief that Popular Science and our readers share The future is going to be better and science and technology are the driving forces that will help make it better

Sport Aviation and the Experimenter ,1993 Popular Science ,1995-04 Popular Science gives our readers the information and tools to improve their technology and their world The core belief that Popular Science and our readers share The future is going to be better and science and technology are the driving forces that will help make it better Tech Directions ,1995 **Industrial Equipment News** ,1980 *American Machinist* ,1981 **Popular Science** ,1977-03 Popular Science gives our readers the information and tools to improve their technology and their world The core belief that Popular Science and our readers share The future is going to be better and science and technology are the driving forces that will help make it better **Popular Science** ,1981-04 Popular Science gives our readers the information and tools to improve their technology and their world The core belief that Popular Science and our readers share The future is going to be better and science and technology are the driving forces that will help make it better **Popular Science** ,1973-11 Popular Science gives our readers the information and tools to improve their technology and their world The core belief that Popular Science and our readers share The future is going to be better and science and technology are the driving forces that will help make it better **Popular Science** ,1995 *Popular Science* ,1981-11 Popular Science gives our readers the information and tools to improve their technology and their world The core belief that Popular Science and our readers share The future is going to be better and science and technology are the driving forces that will help make it better Popular Science ,1981-11 Popular Science gives our readers the information and tools to improve their technology and their world The core belief that Popular Science and our readers share The future is going to be better and science and technology are the driving forces that will help make it better Popular Science ,1975-10 Popular Science gives our readers the information and tools to improve their technology and their world The core belief that Popular Science and our readers share The future is going to be better and science and technology are the driving forces that will help make it better

Machinery Market ,1944-07 *Popular Science* ,1972-12 Popular Science gives our readers the information and tools to improve their technology and their world The core belief that Popular Science and our readers share The future is going to be better and science and technology are the driving forces that will help make it better **Popular Science** ,1974-05 Popular Science gives our readers the information and tools to improve their technology and their world The core belief that Popular Science and our readers share The future is going to be better and science and technology are the driving forces that will help make it better

Unveiling the Magic of Words: A Overview of "**Maximat Super 11 Manual**"

In some sort of defined by information and interconnectivity, the enchanting power of words has acquired unparalleled significance. Their ability to kindle emotions, provoke contemplation, and ignite transformative change is really awe-inspiring. Enter the realm of "**Maximat Super 11 Manual**," a mesmerizing literary masterpiece penned by a distinguished author, guiding readers on a profound journey to unravel the secrets and potential hidden within every word. In this critique, we shall delve into the book is central themes, examine its distinctive writing style, and assess its profound affect the souls of its readers.

https://splashdogs.com/results/uploaded-files/Download_PDFS/how_populations_evolve_guide_answers.pdf

Table of Contents Maximat Super 11 Manual

1. Understanding the eBook Maximat Super 11 Manual
 - The Rise of Digital Reading Maximat Super 11 Manual
 - Advantages of eBooks Over Traditional Books
2. Identifying Maximat Super 11 Manual
 - Exploring Different Genres
 - Considering Fiction vs. Non-Fiction
 - Determining Your Reading Goals
3. Choosing the Right eBook Platform
 - Popular eBook Platforms
 - Features to Look for in an Maximat Super 11 Manual
 - User-Friendly Interface
4. Exploring eBook Recommendations from Maximat Super 11 Manual
 - Personalized Recommendations
 - Maximat Super 11 Manual User Reviews and Ratings
 - Maximat Super 11 Manual and Bestseller Lists

5. Accessing Maximat Super 11 Manual Free and Paid eBooks
 - Maximat Super 11 Manual Public Domain eBooks
 - Maximat Super 11 Manual eBook Subscription Services
 - Maximat Super 11 Manual Budget-Friendly Options
6. Navigating Maximat Super 11 Manual eBook Formats
 - ePub, PDF, MOBI, and More
 - Maximat Super 11 Manual Compatibility with Devices
 - Maximat Super 11 Manual Enhanced eBook Features
7. Enhancing Your Reading Experience
 - Adjustable Fonts and Text Sizes of Maximat Super 11 Manual
 - Highlighting and Note-Taking Maximat Super 11 Manual
 - Interactive Elements Maximat Super 11 Manual
8. Staying Engaged with Maximat Super 11 Manual
 - Joining Online Reading Communities
 - Participating in Virtual Book Clubs
 - Following Authors and Publishers Maximat Super 11 Manual
9. Balancing eBooks and Physical Books Maximat Super 11 Manual
 - Benefits of a Digital Library
 - Creating a Diverse Reading Collection Maximat Super 11 Manual
10. Overcoming Reading Challenges
 - Dealing with Digital Eye Strain
 - Minimizing Distractions
 - Managing Screen Time
11. Cultivating a Reading Routine Maximat Super 11 Manual
 - Setting Reading Goals Maximat Super 11 Manual
 - Carving Out Dedicated Reading Time
12. Sourcing Reliable Information of Maximat Super 11 Manual
 - Fact-Checking eBook Content of Maximat Super 11 Manual
 - Distinguishing Credible Sources
13. Promoting Lifelong Learning

- Utilizing eBooks for Skill Development
 - Exploring Educational eBooks
14. Embracing eBook Trends
- Integration of Multimedia Elements
 - Interactive and Gamified eBooks

Maximat Super 11 Manual Introduction

In this digital age, the convenience of accessing information at our fingertips has become a necessity. Whether its research papers, eBooks, or user manuals, PDF files have become the preferred format for sharing and reading documents. However, the cost associated with purchasing PDF files can sometimes be a barrier for many individuals and organizations. Thankfully, there are numerous websites and platforms that allow users to download free PDF files legally. In this article, we will explore some of the best platforms to download free PDFs. One of the most popular platforms to download free PDF files is Project Gutenberg. This online library offers over 60,000 free eBooks that are in the public domain. From classic literature to historical documents, Project Gutenberg provides a wide range of PDF files that can be downloaded and enjoyed on various devices. The website is user-friendly and allows users to search for specific titles or browse through different categories. Another reliable platform for downloading Maximat Super 11 Manual free PDF files is Open Library. With its vast collection of over 1 million eBooks, Open Library has something for every reader. The website offers a seamless experience by providing options to borrow or download PDF files. Users simply need to create a free account to access this treasure trove of knowledge. Open Library also allows users to contribute by uploading and sharing their own PDF files, making it a collaborative platform for book enthusiasts. For those interested in academic resources, there are websites dedicated to providing free PDFs of research papers and scientific articles. One such website is Academia.edu, which allows researchers and scholars to share their work with a global audience. Users can download PDF files of research papers, theses, and dissertations covering a wide range of subjects. Academia.edu also provides a platform for discussions and networking within the academic community. When it comes to downloading Maximat Super 11 Manual free PDF files of magazines, brochures, and catalogs, Issuu is a popular choice. This digital publishing platform hosts a vast collection of publications from around the world. Users can search for specific titles or explore various categories and genres. Issuu offers a seamless reading experience with its user-friendly interface and allows users to download PDF files for offline reading. Apart from dedicated platforms, search engines also play a crucial role in finding free PDF files. Google, for instance, has an advanced search feature that allows users to filter results by file type. By specifying the file type as "PDF," users can find websites that offer free PDF downloads on a specific topic. While downloading Maximat Super 11 Manual free PDF files is convenient, its

important to note that copyright laws must be respected. Always ensure that the PDF files you download are legally available for free. Many authors and publishers voluntarily provide free PDF versions of their work, but its essential to be cautious and verify the authenticity of the source before downloading Maximat Super 11 Manual. In conclusion, the internet offers numerous platforms and websites that allow users to download free PDF files legally. Whether its classic literature, research papers, or magazines, there is something for everyone. The platforms mentioned in this article, such as Project Gutenberg, Open Library, Academia.edu, and Issuu, provide access to a vast collection of PDF files. However, users should always be cautious and verify the legality of the source before downloading Maximat Super 11 Manual any PDF files. With these platforms, the world of PDF downloads is just a click away.

FAQs About Maximat Super 11 Manual Books

1. Where can I buy Maximat Super 11 Manual books? Bookstores: Physical bookstores like Barnes & Noble, Waterstones, and independent local stores. Online Retailers: Amazon, Book Depository, and various online bookstores offer a wide range of books in physical and digital formats.
2. What are the different book formats available? Hardcover: Sturdy and durable, usually more expensive. Paperback: Cheaper, lighter, and more portable than hardcovers. E-books: Digital books available for e-readers like Kindle or software like Apple Books, Kindle, and Google Play Books.
3. How do I choose a Maximat Super 11 Manual book to read? Genres: Consider the genre you enjoy (fiction, non-fiction, mystery, sci-fi, etc.). Recommendations: Ask friends, join book clubs, or explore online reviews and recommendations. Author: If you like a particular author, you might enjoy more of their work.
4. How do I take care of Maximat Super 11 Manual books? Storage: Keep them away from direct sunlight and in a dry environment. Handling: Avoid folding pages, use bookmarks, and handle them with clean hands. Cleaning: Gently dust the covers and pages occasionally.
5. Can I borrow books without buying them? Public Libraries: Local libraries offer a wide range of books for borrowing. Book Swaps: Community book exchanges or online platforms where people exchange books.
6. How can I track my reading progress or manage my book collection? Book Tracking Apps: Goodreads, LibraryThing, and Book Catalogue are popular apps for tracking your reading progress and managing book collections. Spreadsheets: You can create your own spreadsheet to track books read, ratings, and other details.
7. What are Maximat Super 11 Manual audiobooks, and where can I find them? Audiobooks: Audio recordings of books,

- perfect for listening while commuting or multitasking. Platforms: Audible, LibriVox, and Google Play Books offer a wide selection of audiobooks.
8. How do I support authors or the book industry? Buy Books: Purchase books from authors or independent bookstores. Reviews: Leave reviews on platforms like Goodreads or Amazon. Promotion: Share your favorite books on social media or recommend them to friends.
 9. Are there book clubs or reading communities I can join? Local Clubs: Check for local book clubs in libraries or community centers. Online Communities: Platforms like Goodreads have virtual book clubs and discussion groups.
 10. Can I read Maximat Super 11 Manual books for free? Public Domain Books: Many classic books are available for free as they're in the public domain. Free E-books: Some websites offer free e-books legally, like Project Gutenberg or Open Library.

Find Maximat Super 11 Manual :

how populations evolve guide answers

how to cite scientific journals

[how to automatically delete duplicates in itunes library](#)

how to avoid huge shits english edition

how to disable anti theft on a 20honda civic

how recover hack network

how to cite a lab manual mla

[how to fix ford focus antenna](#)

how to copy a dvd guide

[how to delete a page in with acrobat](#)

how to drive an automatic

how to factory reset iphone 3gs without computer

[how to explain your faith reissue](#)

[how to draw a rose sketch](#)

how to find out how much your business is worth

Maximat Super 11 Manual :

Pattern: Southern New England, NSW by PJ Smailes · 1965 · Cited by 19 — In southern New England, as elsewhere in southeastern Australia, settlement was primitive and rudimentary in the earliest years of colonization: many ' ... The Evolution of an Australian Rural Settlement Pattern The Evolution of an Australian Rural Settlement Pattern: Southern New England, N.S.W.. Authors, P. J. Smailes, J. K. Molyneux. Edition, reprint. Publisher ... The Evolution of an Australian Rural Settlement Pattern THIS PAPER is concerned with the evolution of a rural settlement pattern in a relatively recently settled area of eastern Australia: namely, the southern ... (PDF) The Evolution of an Australian Rural Settlement Pattern TL;DR: In this paper, the Southern New England region of New South Wales has been studied, and four major periods of settlement are distinguished: 1832 to ... 2023-05-03 1/2 the evolution of an australian rural settlement ... May 3, 2023 — Eventually, the evolution of an australian rural settlement pattern southern new england will very discover a supplementary experience and ... Reading free The evolution of an australian rural settlement ... Yeah, reviewing a ebook the evolution of an australian rural settlement pattern southern new england could build up your near contacts listings. Settlement patterns - Australia Australia has not yielded readily to development by Europeans. Even on the relatively favoured eastern periphery, the first European settlers were perplexed by ... A New Spatial Criteria Method to Delimit Rural Settlements ... by V Barbosa · 2022 · Cited by 4 — The evolution of an Australian rural settlement pattern: Southern New England, NSW. Trans. Inst. Br. Geogr. 1965, 36, 31-54. [Google Scholar] [CrossRef] ... Geospatial characterization of rural settlements and ... by Y Liu · 2022 · Cited by 8 — These studies, focused on the spatial distribution of traditional villages or small-scale rural settlements at local scale, e.g., at county ... Solutions to Further Problems Risk Management and ... Solutions to Further Problems Risk Management and Financial Institutions Fourth Edition John C. Hull 1 Preface This manual contains answers to all the ... Options, Futures, and Other Derivatives: Course Design Options, Futures, and Other Derivatives, 11th Edition. These *.zip files contain answers to all end of chapter questions in the 11th edition plus some Excel ... Students Solutions Manual & Study Guid: Hull, John A reader-friendly book with an abundance of numerical and real-life examples. Based on Hull's Options, Futures and Other Derivatives, Fundamentals of Futures ... John c hull options futures and other derivatives solutions ... John c hull options futures and other derivatives solutions manual. Options ... Answers to end-of-chapter questions in the North American edition. Answers ... Students Solutions Manual for Options,... by Hull, John Read more. From the Author. Contains solutions to end-of-chapter questions and problems in Options, Futures, and Other Derivatives, Sixth Edition by John Hull. Book solution options futures and other derivatives john c ... Book solution options futures and other derivatives john c hull chapters 1279111425. Course: Derivative Securities (FINA 3203). OPTIONS, FUTURES, AND OTHER DERIVATIVES ... Further Questions. 9.23. The price of a stock is \$40. The price of a 1-year European put option on the stock with a strike price of \$30 is quoted as \$7 and ... Student Solutions Manual for Fundamentals of Futures and ... Student Solutions Manual

for Fundamentals of Futures and Options Markets ; Reihe: Pearson ; Autor: Prof. Dr. John C. Hull / Author Supplement ; Verlag: Pearson ... Options, futures, and other derivatives, ninth edition, global ... A student solutions manual for: Options, futures, and other derivatives, ninth edition, global edition by John C. Hull (ISBN 9780133457414), 2015. A student ... Other Derivatives by Hull, J. C - 2011 Solutions to the Questions and Problems in Options, Futures, and Other Derivatives 8e, published by Pearson, are provided in this Student Solutions Manual. The Bedford Handbook The eighth edition features new coverage that models how students use their own language and ideas to position sources in an academic conversation. Finally, ... The Bedford Handbook An x-Book version of The Bedford Handbook, fully online, helps you engage your students and keep the course organized. Learn more at bedfordstmartins.com ... The Bedford Handbook by Hacker, Diana Get the most recent updates on MLA citation in a convenient, 40-page resource based on The MLA Handbook, 8th Edition, with plenty of models. Browse our catalog ... The Bedford Handbook, 8th Edition - PDF Free Download ... Bedford e-Handbook, a series of online video tutorials, Preface for ... Point of view U Is the draft free of distracting shifts in point of view (from I to ... The Bedford Handbook by Hacker, Diana Edition: 8th. ... Synopsis: Built on Diana Hacker's vision and developed with the help of expert composition teachers, the seventh edition of The Bedford ... The Bedford Handbook Best Uses & Practices Look at the 'Revision Symbols' page on the next to last page of the book or inside the back cover at the 'detailed menu'. There you'll see the abbreviations in ... St. Martin's Handbook Martin's Handbook, Seventh Edition, as a textbook for a course are authorized to duplicate portions of this manual for their students. Manufactured in the ... A Pocket Style Manual by Diana Hacker MLA Handbook for Writers of Research Papers, 7th ed. (New. York: MLA, 2009) ... electronic and online books, see items 37-39. For an illustrated citation ... 'The Bedford Handbook by Hacker, Diana by Diana Hacker. Condition: Used:Good; Edition: 8th Edition; Published: 2010-06-01; Binding: Hardcover; ISBN 10: 0312544308; Quantity Available: 1; Seller. The Bedford Handbook, 12th Edition | Macmillan Learning US Equal parts approachable and comprehensive, this book gives students the guidance and practice they need with how-to guides, model papers, exercises and class- ...