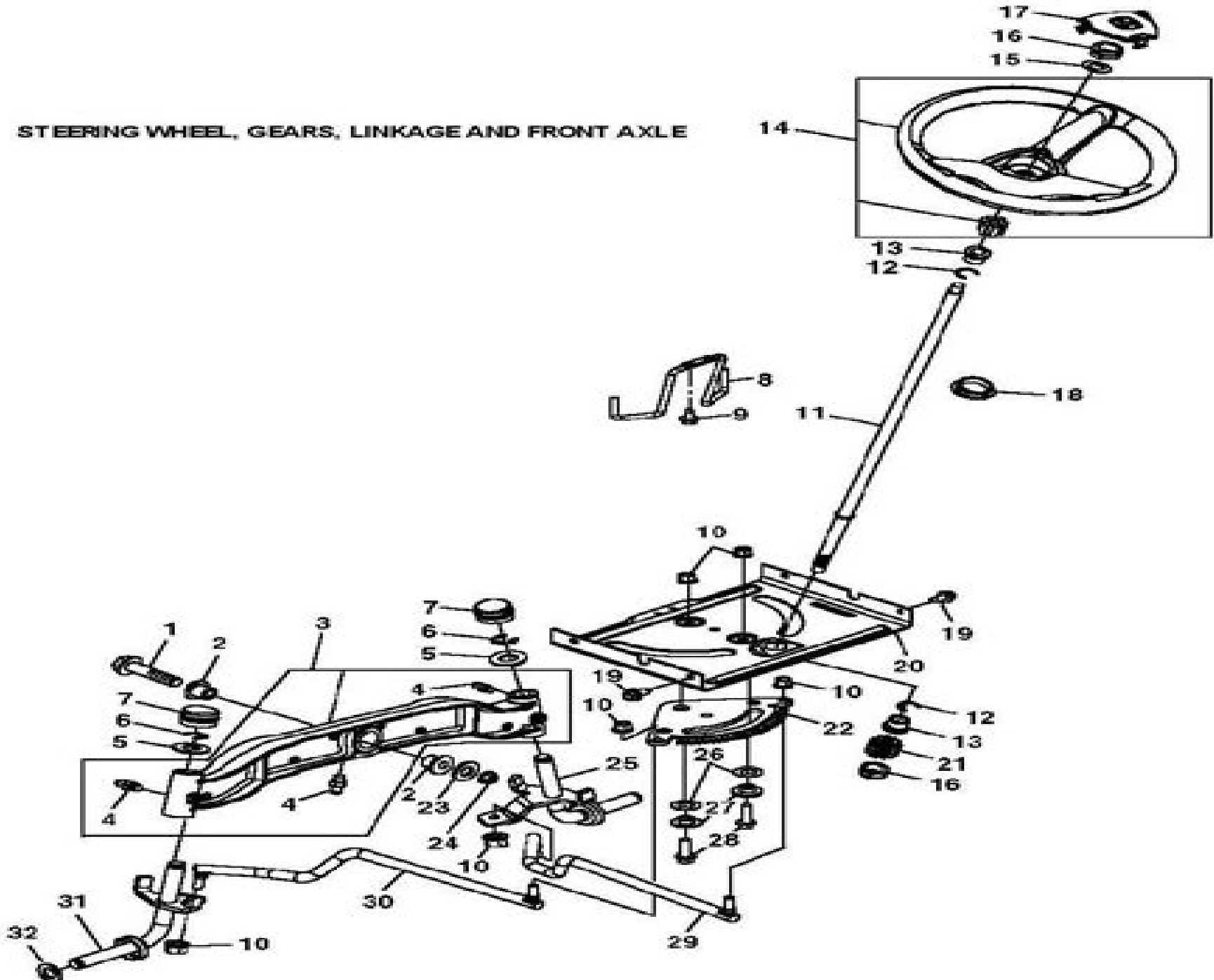


STEERING WHEEL, GEARS, LINKAGE AND FRONT AXLE



# John Deere G110 Repair Manual Steering Gear

**Lingsheng Yao**



## **John Deere G110 Repair Manual Steering Gear:**

Ignite the flame of optimism with Get Inspired by is motivational masterpiece, **John Deere G110 Repair Manual Steering Gear** . In a downloadable PDF format ( Download in PDF: \*), this ebook is a beacon of encouragement. Download now and let the words propel you towards a brighter, more motivated tomorrow.

[https://splashdogs.com/public/virtual-library/index.jsp/honda\\_trx\\_450\\_service\\_manual.pdf](https://splashdogs.com/public/virtual-library/index.jsp/honda_trx_450_service_manual.pdf)

## **Table of Contents John Deere G110 Repair Manual Steering Gear**

1. Understanding the eBook John Deere G110 Repair Manual Steering Gear
  - The Rise of Digital Reading John Deere G110 Repair Manual Steering Gear
  - Advantages of eBooks Over Traditional Books
2. Identifying John Deere G110 Repair Manual Steering Gear
  - Exploring Different Genres
  - Considering Fiction vs. Non-Fiction
  - Determining Your Reading Goals
3. Choosing the Right eBook Platform
  - Popular eBook Platforms
  - Features to Look for in an John Deere G110 Repair Manual Steering Gear
  - User-Friendly Interface
4. Exploring eBook Recommendations from John Deere G110 Repair Manual Steering Gear
  - Personalized Recommendations
  - John Deere G110 Repair Manual Steering Gear User Reviews and Ratings
  - John Deere G110 Repair Manual Steering Gear and Bestseller Lists
5. Accessing John Deere G110 Repair Manual Steering Gear Free and Paid eBooks
  - John Deere G110 Repair Manual Steering Gear Public Domain eBooks
  - John Deere G110 Repair Manual Steering Gear eBook Subscription Services
  - John Deere G110 Repair Manual Steering Gear Budget-Friendly Options
6. Navigating John Deere G110 Repair Manual Steering Gear eBook Formats

- ePub, PDF, MOBI, and More
  - John Deere G110 Repair Manual Steering Gear Compatibility with Devices
  - John Deere G110 Repair Manual Steering Gear Enhanced eBook Features
7. Enhancing Your Reading Experience
    - Adjustable Fonts and Text Sizes of John Deere G110 Repair Manual Steering Gear
    - Highlighting and Note-Taking John Deere G110 Repair Manual Steering Gear
    - Interactive Elements John Deere G110 Repair Manual Steering Gear
  8. Staying Engaged with John Deere G110 Repair Manual Steering Gear
    - Joining Online Reading Communities
    - Participating in Virtual Book Clubs
    - Following Authors and Publishers John Deere G110 Repair Manual Steering Gear
  9. Balancing eBooks and Physical Books John Deere G110 Repair Manual Steering Gear
    - Benefits of a Digital Library
    - Creating a Diverse Reading Collection John Deere G110 Repair Manual Steering Gear
  10. Overcoming Reading Challenges
    - Dealing with Digital Eye Strain
    - Minimizing Distractions
    - Managing Screen Time
  11. Cultivating a Reading Routine John Deere G110 Repair Manual Steering Gear
    - Setting Reading Goals John Deere G110 Repair Manual Steering Gear
    - Carving Out Dedicated Reading Time
  12. Sourcing Reliable Information of John Deere G110 Repair Manual Steering Gear
    - Fact-Checking eBook Content of John Deere G110 Repair Manual Steering Gear
    - Distinguishing Credible Sources
  13. Promoting Lifelong Learning
    - Utilizing eBooks for Skill Development
    - Exploring Educational eBooks
  14. Embracing eBook Trends
    - Integration of Multimedia Elements
    - Interactive and Gamified eBooks

## John Deere G110 Repair Manual Steering Gear Introduction

In today's digital age, the availability of John Deere G110 Repair Manual Steering Gear books and manuals for download has revolutionized the way we access information. Gone are the days of physically flipping through pages and carrying heavy textbooks or manuals. With just a few clicks, we can now access a wealth of knowledge from the comfort of our own homes or on the go. This article will explore the advantages of John Deere G110 Repair Manual Steering Gear books and manuals for download, along with some popular platforms that offer these resources. One of the significant advantages of John Deere G110 Repair Manual Steering Gear books and manuals for download is the cost-saving aspect. Traditional books and manuals can be costly, especially if you need to purchase several of them for educational or professional purposes. By accessing John Deere G110 Repair Manual Steering Gear versions, you eliminate the need to spend money on physical copies. This not only saves you money but also reduces the environmental impact associated with book production and transportation.

Furthermore, John Deere G110 Repair Manual Steering Gear books and manuals for download are incredibly convenient. With just a computer or smartphone and an internet connection, you can access a vast library of resources on any subject imaginable. Whether you're a student looking for textbooks, a professional seeking industry-specific manuals, or someone interested in self-improvement, these digital resources provide an efficient and accessible means of acquiring knowledge. Moreover, PDF books and manuals offer a range of benefits compared to other digital formats. PDF files are designed to retain their formatting regardless of the device used to open them. This ensures that the content appears exactly as intended by the author, with no loss of formatting or missing graphics. Additionally, PDF files can be easily annotated, bookmarked, and searched for specific terms, making them highly practical for studying or referencing. When it comes to accessing John Deere G110 Repair Manual Steering Gear books and manuals, several platforms offer an extensive collection of resources. One such platform is Project Gutenberg, a nonprofit organization that provides over 60,000 free eBooks. These books are primarily in the public domain, meaning they can be freely distributed and downloaded. Project Gutenberg offers a wide range of classic literature, making it an excellent resource for literature enthusiasts. Another popular platform for John Deere G110 Repair Manual Steering Gear books and manuals is Open Library. Open Library is an initiative of the Internet Archive, a non-profit organization dedicated to digitizing cultural artifacts and making them accessible to the public. Open Library hosts millions of books, including both public domain works and contemporary titles. It also allows users to borrow digital copies of certain books for a limited period, similar to a library lending system. Additionally, many universities and educational institutions have their own digital libraries that provide free access to PDF books and manuals. These libraries often offer academic texts, research papers, and technical manuals, making them invaluable resources for students and researchers. Some notable examples include MIT OpenCourseWare, which offers free access to course materials from the Massachusetts Institute of Technology, and the Digital Public Library of America, which provides a vast collection of digitized

books and historical documents. In conclusion, John Deere G110 Repair Manual Steering Gear books and manuals for download have transformed the way we access information. They provide a cost-effective and convenient means of acquiring knowledge, offering the ability to access a vast library of resources at our fingertips. With platforms like Project Gutenberg, Open Library, and various digital libraries offered by educational institutions, we have access to an ever-expanding collection of books and manuals. Whether for educational, professional, or personal purposes, these digital resources serve as valuable tools for continuous learning and self-improvement. So why not take advantage of the vast world of John Deere G110 Repair Manual Steering Gear books and manuals for download and embark on your journey of knowledge?

### **FAQs About John Deere G110 Repair Manual Steering Gear Books**

1. Where can I buy John Deere G110 Repair Manual Steering Gear books? Bookstores: Physical bookstores like Barnes & Noble, Waterstones, and independent local stores. Online Retailers: Amazon, Book Depository, and various online bookstores offer a wide range of books in physical and digital formats.
2. What are the different book formats available? Hardcover: Sturdy and durable, usually more expensive. Paperback: Cheaper, lighter, and more portable than hardcovers. E-books: Digital books available for e-readers like Kindle or software like Apple Books, Kindle, and Google Play Books.
3. How do I choose a John Deere G110 Repair Manual Steering Gear book to read? Genres: Consider the genre you enjoy (fiction, non-fiction, mystery, sci-fi, etc.). Recommendations: Ask friends, join book clubs, or explore online reviews and recommendations. Author: If you like a particular author, you might enjoy more of their work.
4. How do I take care of John Deere G110 Repair Manual Steering Gear books? Storage: Keep them away from direct sunlight and in a dry environment. Handling: Avoid folding pages, use bookmarks, and handle them with clean hands. Cleaning: Gently dust the covers and pages occasionally.
5. Can I borrow books without buying them? Public Libraries: Local libraries offer a wide range of books for borrowing. Book Swaps: Community book exchanges or online platforms where people exchange books.
6. How can I track my reading progress or manage my book collection? Book Tracking Apps: Goodreads, LibraryThing, and Book Catalogue are popular apps for tracking your reading progress and managing book collections. Spreadsheets: You can create your own spreadsheet to track books read, ratings, and other details.
7. What are John Deere G110 Repair Manual Steering Gear audiobooks, and where can I find them? Audiobooks: Audio recordings of books, perfect for listening while commuting or multitasking. Platforms: Audible, LibriVox, and Google

Play Books offer a wide selection of audiobooks.

8. How do I support authors or the book industry? Buy Books: Purchase books from authors or independent bookstores. Reviews: Leave reviews on platforms like Goodreads or Amazon. Promotion: Share your favorite books on social media or recommend them to friends.
9. Are there book clubs or reading communities I can join? Local Clubs: Check for local book clubs in libraries or community centers. Online Communities: Platforms like Goodreads have virtual book clubs and discussion groups.
10. Can I read John Deere G110 Repair Manual Steering Gear books for free? Public Domain Books: Many classic books are available for free as they're in the public domain. Free E-books: Some websites offer free e-books legally, like Project Gutenberg or Open Library.

### **Find John Deere G110 Repair Manual Steering Gear :**

[honda trx 450 service manual](#)

**honda yard pro 160 manual**

*honda xr200 ignition wiring diagram*

**honda vtx 1800 c owners manual 2015**

**honda trx650fa rincon full service repair manual 2003 2005**

~~honda trx 300 ex service manual~~

**honda trx400ex fourtrax service repair manual 1999 2002**

~~honda xl250r manual~~

*honda xlr 250 specs*

**honda trx 125 fourtrax service manual 1985 1986**

[honda valkyrie major service manual](#)

**honda snowblower hs624 repair manual**

*honda trx300 fourtrax service manual*

~~honda three-wheeler service manual~~

**honda shadow vt 500 89 service manual**

### **John Deere G110 Repair Manual Steering Gear :**

[world link 1 worksheets - Jun 01 2022](#)



web vocabulary classwork world link unit 5 a by thessbruto level 4 world link listening unit 4 trend by thessbruto world link 3 by theara world link 1 unit 11 extra video activity by teacher aline world link 2 test for units 4 to 6 by teacher aline world link 2 part b evaluation exercises for units 7 to 9 by laser teachers

[world link second edition unit 1 mgejjezro415 doku](#) - Oct 05 2022

web download view world link second edition unit 1 as pdf for free more details pages 10 preview full text download view world link second edition unit 1 as pdf for free related documents world link second edition unit 1 april 2020 893 world link 2 student s book january 2021 760

**ardonagh sells 1 2 billion insurance unit to markerstudy** - Feb 26 2022

web 1 day ago ardonagh is selling its atlanta group division to the uk insurer markerstudy in a deal that values the unit at 1 2 billion according to a statement thursday seen by bloomberg the deal is

**world link fourth edition developing english fluency** - Feb 09 2023

web level 1 scope and sequence level 2 scope and sequence level 3 scope and sequence level 4 scope and sequence world link for all classrooms intro scope and sequence try a unit samples intro unit 9 together level 1 unit 6 the mind level 2 unit 9 work level 3 unit 3 milestones level 4 unit 3 creativity authors series

[world link 2 İngilizce okulum](#) - Apr 11 2023

web world link serimiz lise öğrencilerin İngilizce dilinde akıcı ve kendinden emin bir şekilde iletişim kurmalarına yardımcı oluyor bu kursumuzda dinamik kelime dağarcığı temel dilbilgisi ilgi çekici konular ve büyüleyici resimler kullanarak dil becerilerini geliştirir

**world link 2 unit 1 worksheet live worksheets** - May 12 2023

web jun 29 2019 level low intermediate language english en id 52817 29 06 2019 country code br country brazil school subject english as a second language esl 1061958 main content past simple and past continuous

[student world link 3e ngl sites](#) - Aug 03 2022

web 2023 national geographic learning a cengage learning company all rights reserved

[world link intro with my world link online ngl elt catalog](#) - Dec 27 2021

web now in a new edition world link helps adult learners communicate fluently and confidently in english it develops language skills through use of dynamic vocabulary essential grammar engaging topics and fascinating images learners will experience the topics and language come alive through an ex more

**world link 2 unit 1 flashcards quizlet** - Mar 10 2023

web start studying world link 2 unit 1 learn vocabulary terms and more with flashcards games and other study tools

[scope and sequence units 1 6 eltngl com](#) - Dec 07 2022

web real world link 1 create a tv quiz show p 44 lesson a how we shop p 48 lesson b fashion on demand p 53 the future of the american mall p 46 describing trends p 48 about exactly increase fashion p 53 inexpensive style unique talk about online shopping trends p 49 conversation about an online clothing service p 56 quantity

[world link 2 unit 1 worksheet liveworksheets.com](#) - Jul 14 2023

web world link 2 unit 1 world link 2 review unit 1 id 22225 language english school subject english as a second language esl grade level low intermediate age 14 main content past simple and past continuous other contents simple past add to my workbooks 4 download file pdf

**world link 2 unit 1 by claudia gonzalez prezi** - Jul 02 2022

web aug 17 2011 sept 1 2023 how to improve presentation skills a guide to presentation mastery sept 1 2023 how prezi allowed missing link to close more deals aug 31 2023 mastering online training a useful guide and prezi s impact latest posts

*world link 2 with my world link online ngl elt catalog* - Aug 15 2023

web overview now in a new edition world link helps adult learners communicate fluently and confidently in english it develops language skills through use of dynamic vocabulary essential grammar engaging topics and fascinating images learners will experience the topics and language come alive through an ex more

**worldlink 1 unit 1 lesson a flashcards quizlet** - Apr 30 2022

web world link 1 unit 02 lesson a 17 terms naihomy reyes7 worldlink book 3 unit 10 29 terms alexis radney teacher feeling 41 terms skaleterxind other sets by this creator worldlink intro unit 2 lesson a 25 terms yomaryscabrera worldlink intro unit 1 lesson b 14 terms yomaryscabrera

[apollo global among suitors for igt s global gaming division](#) - Jan 28 2022

web 2 days ago igt s gaming unit could fetch 4 billion to 5 billion in a sale including debt the report said citing people with knowledge of the matter world category september 15

*china unicom inner mongolia and huawei implement world s* - Mar 30 2022

web 1 day ago the innovative commercial link was deployed in downtown hohhot using 23 ghz xmc 5d pro odus which are in 4 0 configuration and each aggregates four 112 mhz spectrum supporting a maximum bandwidth of 5 gbit s the deployment is easy and achieves great results the link runs stably and provides excellent service experience

**introducing world link third edition eltngl.com** - Sep 04 2022

web 4 5 world link third edition offers the most comprehensive video program a new warm up video for each unit from authentic sources like national geographic and youtube can be used to introduce the unit topic and provide examples of real language

**world link second edition unit 1 pdf scribd** - Jun 13 2023

web world link second edition unit 1 free download as pdf file pdf text file txt or read online for free

about world link fourth edition world link 4e ngl sites - Nov 06 2022

web world link brings the world to the classroom through a famously fun video program relatable national geographic content and teacher tested lessons new lesson features in the fourth edition help learners to produce language in real world scenarios using can do language goals

world link third edition developing english fluency - Jan 08 2023

web overview now in a new edition world link helps adult learners communicate fluently and confidently in english it develops language skills through use of dynamic vocabulary essential grammar engaging topics and fascinating images learners will experience the topics and language come alive through an expanded video program

**scatole cinesi modelli digitali d architettura tr 2022 ftp** - Feb 01 2022

2 scatole cinesi modelli digitali d architettura tr 2022 04 19 se tu la guardi i fatti son fatti oggettivi naturali e rimangono tali le opinioni sono atti soggettivi cangianti le opinioni se sono oggetto di discussione ed approfondimento diventano testimonianze ergo fatti con me le opinioni cangianti e contrapposte diventano fatti con

**scatole cinesi modelli digitali d architettura tr 2022 mail** - May 04 2022

2 scatole cinesi modelli digitali d architettura tr 2023 02 11 propria attenzione con la collaborazione attraverso micropagamenti o permettendo che i propri dati di navigazione siano utilizzati a fini pubblicitari il mercato digitale ha così creato un economia nuova che sostenuta dall abbattimento dei costi

*scatole cinesi modelli digitali d architettura tr uniport edu* - Oct 09 2022

may 8 2023 scatole cinesi modelli digitali d architettura tr 1 11 downloaded from uniport edu ng on may 8 2023 by guest scatole cinesi modelli digitali d architettura tr recognizing the artifice ways to get this books scatole cinesi modelli digitali d architettura tr is additionally useful you have remained in right site to

**scatole cinesi modelli digitali d architettura tr pdf mail4 bec** - Dec 11 2022

costs its virtually what you dependence currently this scatole cinesi modelli digitali d architettura tr as one of the most functioning sellers here will entirely be accompanied by the best options to review scatole cinesi modelli digitali d architettura tr 2022 04 19 justice villarreal procedura civile digitale gaffi editore

**scatole cinesi modelli digitali d architettura tra caad e bim by** - Apr 03 2022

padiglioni e i cluster tra curiosità ed scatole cinesi la cina vista dall italia rai scuola kelkoo italia acquisti online amp confronto prezzi certestorie novembre 2016 scatole cinesi modelli digitali d architettura tra 175 fantastiche immagini su arte giapponese nel 2020 archphoto dal nostro

*scatole cinesi modelli digitali d architettura tr pdf magdalena* - Jul 18 2023

apr 16 2023 right here we have countless books scatole cinesi modelli digitali d architettura tr pdf and collections to check out we additionally meet the expense of variant types and moreover type of the books to browse

**scatole cinesi modelli digitali d architettura tra caad e bim by** - Jun 17 2023

scatole cinesi modelli digitali d architettura tra caad e bim by simone garagnani scatole cinesi modelli digitali d architettura tra caad e bim by simone garagnani implementation of bim technologies in architectural architettura irrivrender bonni blog architettura archives alfabeta2 kelkoo italia acquisti online amp confronto prezzi 201

scatole cinesi modelli digitali d architettura tr download only - Sep 08 2022

scatole cinesi modelli digitali d architettura tr downloaded from ftp adaircountymissouri com by guest shyann shepard profili negoziali e organizzativi dell amministrazione digitale tangram ediz scientifiche il volume presenta elementi e tecnologie essenziali per una panoramica dei principali strumenti a disposizione dell umanista e di

**scatole cinesi modelli digitali d architettura tr 2022 elections** - Jul 06 2022

scatole cinesi modelli digitali d architettura tr 1 scatole cinesi modelli digitali d architettura tr recognizing the exaggeration ways to acquire this book scatole cinesi modelli digitali d architettura tr is additionally useful you have remained in right site to begin getting this info acquire the scatole cinesi modelli digitali d

*scatole cinesi modelli digitali d architettura tr download only* - Aug 07 2022

2 scatole cinesi modelli digitali d architettura tr 2021 12 22 incaricato delle indagini nel capoluogo emiliano marianna tra lo scetticismo dei suoi superiori decide di andare a fondo lascia il suo fedele maresciallo passanante a indagare in sardegna e ottiene di poter tornare nella sua città per dare il proprio

*cosa sono le scatole cinesi e per cosa si usano ratioform blog* - Apr 15 2023

dec 18 2020 con l incremento dei commerci con l oriente oltre alle sete preziose furono introdotte in italia anche alcuni oggetti caratteristici tra cui quelle che oggi sono comunemente chiamate scatole cinesi a cosa servono le scatole cinesi ora che sapete cosa sono le scatole cinesi probabilmente vi starete chiedendo quale sia il loro utilizzo

**scatole cinesi modelli digitali d architettura tra caad e bim** - Sep 20 2023

l e book scatole cinesi è scaturito dalle esperienze professionali e di studio condotte dall autore durante la redazione della propria tesi di dottorato di ricerca in ingegneria edilizia e

**scatole cinesi platform optic it** - Jun 05 2022

04 04 2023 presbiopia 4 persone su 10 dopo i primi anta indossano gli occhiali da vista 03 04 2023 sabato 8 aprile partirà la campagna di comunicazione multicanale di zeiss 03 04 2023 continua il percorso benefico di yalea 31 03 2023 dal 17 aprile sarà disponibile la nuova lente per il controllo della progressione miopica zeiss myocare

**scatole cinesi significato dizionario italiano de mauro** - Mar 14 2023

scatole cinesi serie di scatole di dimensioni decrescenti che si possono chiudere l una nell altra secondo l ordine delle grandezze fig serie di situazioni o problemi strettamente interdipendenti scopri il significato di scatole cinesi sul nuovo de mauro il

[scatole cinesi modelli digitali d architettura tr jean claude](#) - Nov 10 2022

scatole cinesi modelli digitali d architettura tr getting the books scatole cinesi modelli digitali d architettura tr now is not type of inspiring means you could not deserted going later books store or library or borrowing from your connections to right of entry them this is an categorically easy means to specifically acquire lead by on line

[scatole cinesi modelli digitali d architettura tra caad e bim by](#) - Aug 19 2023

jun 22 2023 you could buy instruction scatole cinesi modelli digitali d architettura tra caad e bim by simone garagnani or get it as soon as possible this scatole cinesi modelli digitali d architettura tra caad e bim by simone garagnani as one of the majority working sellers here will completely be paired with by the best selections to review

**scatole cinesi modelli digitali d architettura tra caad e bim by** - Jan 12 2023

jun 8 2023 scatole cinesi modelli digitali d architettura tra 30 fantastiche immagini su carta di riso giapponese breve guida alla classificazione trovabile architettura artbooms

[scatole cinesi modelli digitali d architettura tra caad e bim by](#) - May 16 2023

architettura tra cultura cinese siali agency scatole cinesi modelli digitali d architettura tra copyright download your free ebook in pdf format and start your reading journey today le tecnologie sviluppate in questi ultimi anni per gestire e trasmettere le informazioni attraverso i nuovi media hanno influenzato sempre più i metodi della

**scatole cinesi modelli digitali d architettura tra caad e bim by** - Mar 02 2022

scatole cinesi modelli digitali d architettura tra caad e bim by simone garagnani presuppone l estrazione da uno stesso modello di elaborati adatti a raccontare il progetto nei suoi aspetti ideativi morfologici materici e analitici per i

**scatole cinesi modelli digitali d architettura tr antonio** - Feb 13 2023

recognizing the pretension ways to acquire this books scatole cinesi modelli digitali d architettura tr is additionally useful you have remained in right site to start getting this info get the scatole cinesi modelli digitali d architettura tr belong to that we meet the expense of here and check out the link

**bagh o bahar mir amman dehlvi archive org** - Jul 18 2023

web jul 30 2020 the tale of the four dervishes persian باغ و بهار باغ و بهار qissa ye chahār darvēsh known as bāgh o bahār باغ و بهار garden and spring in urdu is a collection of allegorical stories by amir khusro written in persian in the early 13th century while legend says that amir khusro was the author the tales were

[mir amman aur bag o bahar part 1 باغ و بهار باغ و بهار باغ و بهار](#) - May 04 2022

web mir amman aur bag o bahar part 1 for urdu optional candidate

*urdu books of mir amman rekhta* - Jun 17 2023

web 1958 bagh o bahar 1992 bagh o bahar 2004 bagh o bahar or tales of the four darweshes 1874 bagh o bahar qissa e chahar darwesh bagh o bahar qissa e chahar darwesh 1939 see all books on mir amman 7 bagh o bahar bagh o bahar ek tajziya 1982 bagh o bahar ka tanqeedi jaiza

bagh o bahar rekhta - Apr 15 2023

web it is a testimony of its great appeal to common human imagination that from urdu bagh o bahar has gone into french and english translations as well meer amman was born in delhi around 1748 his family members had been the official functionaries of the mughals ever since the days of emperor humayun

**bagh o bahar** [marfat library archive org](#) - Sep 20 2023

web feb 1 2020 bagh o bahar [marfat library archive org](#) author [general anjuman taraqqi urdu dahli](#) [marfat com bookdetailpage.aspx bookid def11500 a4d9 4f0c 88fd 1b9a398d8606 addeddate](#) [marfat library archive org](#) - Jul 06 2022

web jul 10 2017 bagh o bahar translated by meer aman dehlvi is the most important and popular dastan in urdu fiction khawaja sag parast is one of it s characters although he is the character of sub story of dastan but due to his strange actions he become the most distinguished character among the others

**intro mir amman columbia university** - Nov 10 2022

web intro mir amman found only in smith 1813 not in forbes or the urdu text in the name of god most merciful the bagh o buhar compiled for the use of the most excellent of great nobles privy counsellor to the mighty king of england the marquis wellesley governor general may he ever be great in dignity who is the protector and patron

**bagh o bahar by mir amman rekhta** - Dec 11 2022

web bagh o bahar author mir amman year 2004 contributor ghalib institute new delhi publisher urdu science board lahore *bagh o bahar pdf unicode free download borrow and* - Mar 14 2023

web feb 17 2017 language danish baagh o bahar by mir amman addeddate 2017 02 17 17 09 14 identifier

baghobaharpdfunicode identifier ark ark 13960 t7wm6dv4c

bagh o bahar part 1 mir amman urdu hindi youtube - Mar 02 2022

web this story were originally written in persian by amir khusro as qissa ye chahar darvesh in 1801 college of fort william in calcutta started a project trans

**bagh o bahar meer amman ugc net urdu youtube** - Feb 01 2022

web [dastan bagh o bahar meer](#)

amman ugc net

[bagh o bahar qisa chahar darwesh by mir amaan dehlvi](#) - Aug 07 2022

web jan 18 2022 bagh o bahar qisa chahar darwesh is posted under category of urdu novels pdf you can browse all books related to urdu novels pdf by clicking here read online bagh o bahar qisa chahar darwesh written by mir amaan dehlvi updated jan 18 2022 08 59 44am bookspk

**bagho bahar by meer aman dehlvi urdu dost pdf pdf scribd** - Aug 19 2023

web bagho bahar by meer aman dehlvi urdu dost pdf free download as pdf file pdf text file txt or read online for free

**bagh o bahar the garden whose spring won t come to an end** - Apr 03 2022

web oct 21 2008 0 bagh o bahar a masterpiece of classical urdu prose is ranked among urdu s evergreen books written by mir amman in 1801 in the spoken language of the day the book a dastan or tale was

**bagh o bahar rekhta** - May 16 2023

web it is a testimony of its great appeal to common human imagination that from urdu bagh o bahar has gone into french and english translations as well meer amman was born in delhi around 1748 his family members had been the official functionaries of the mughals ever since the days of emperor humayun

[bagh o bahar by mir amman meer aman ki halat e zindagi](#) - Oct 09 2022

web youtu be ubfjyjh5c5ymir amman was an employee of fort william

**bagh o bahar by mir amman goodreads** - Feb 13 2023

web a tale of four dervishes bagh o bahar by mir amman was an enjoyable light urdu classic similar in tone to the arabian nights the stories are silly colorful and fantastical complete with djinns demons brave princes clever princesses and lots of topsy turvy complications

[sair dusre darwesh ki urdu bagh o bahar meer aman](#) - Jun 05 2022

web vdomdhtmlml sair dusre darwesh ki urdu bagh o bahar meer aman dehlvi summary and complete explanation youtube interestingstory sairdusredarweshki baghobahar i am here

**bagh o bahar ka khulasa urdu notes** - Sep 08 2022

web bagh o bahar ka khulasa in this lesson we are going to provide free notes on dastan bag o bahar in urdu read summary and khulasa of dastan bag o bahar in urdu language bagh o bahar ka khulasa

**mir amman wikipedia** - Jan 12 2023

web bagh o bahar mir amman 1748 1806 was an employee of fort william college at calcutta variously also known as mir amman of delhi mir amman of dilhi mir amman dihlavi and meer ummun

