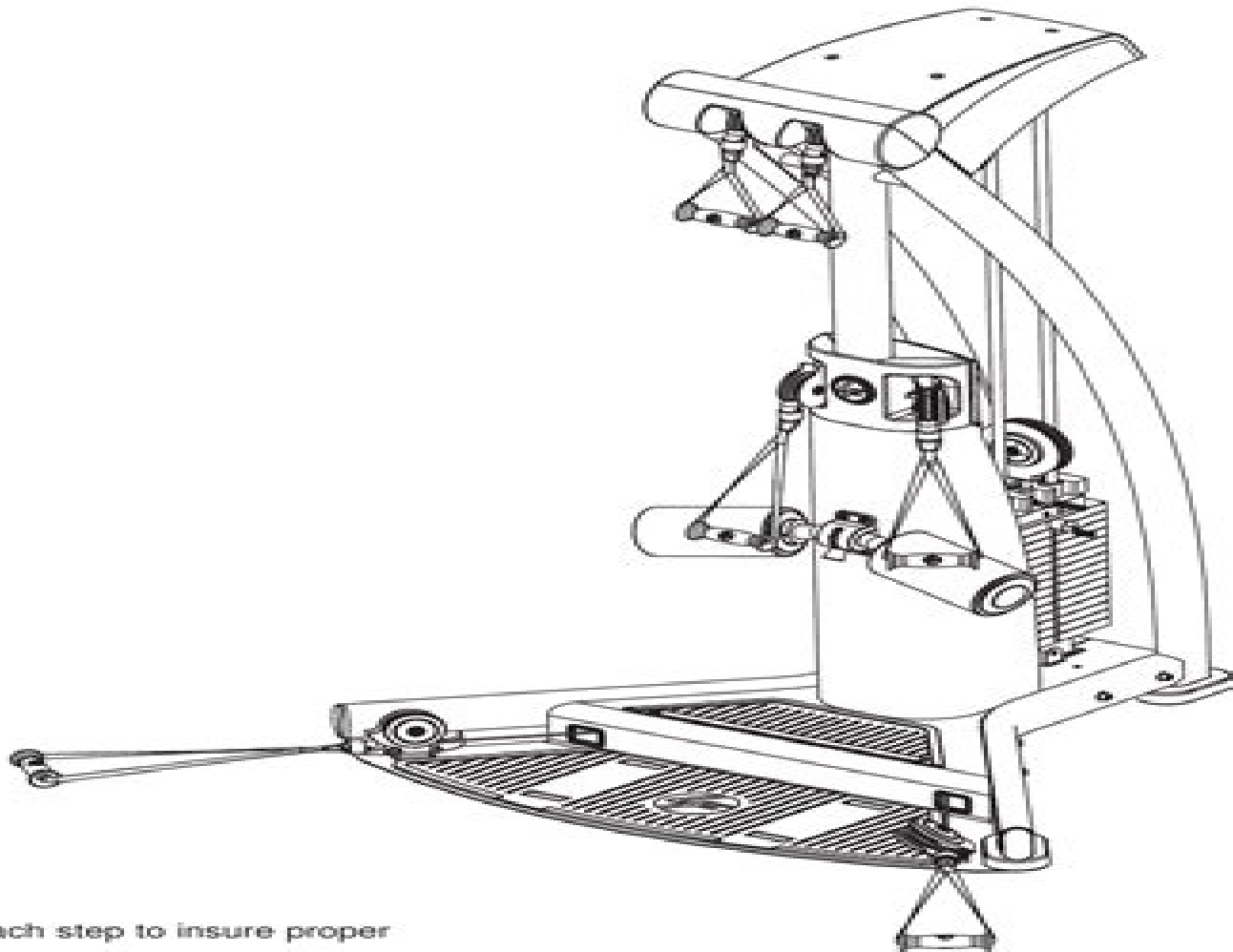


LifeFitness

LFG5 CABLE MOTION™ GYM SYSTEM USER GUIDE



WARNING:

Read and follow all directions for each step to insure proper assembly of this product.

CLASS H
PART # 8289201 REV. A
VERSION: LFG5-003
DATE: 08-16-07

Life Fitness Manual

Indiana. Dept. of Public Instruction



Life Fitness Manual:

A Resource Guide for Fitness Programs for Older Persons Alan Pardini, Connie Mahoney, 1987 The Business Writer's Handbook, Seventh Edition Gerald J. Alred, Charles T. Brusaw, Walter E. Oliu, 2003-02-14 Expert advice for meeting the demands of on line writing as well as research documenting and presenting materials this is a valuable resource for anyone who needs information on formal business writing

Handbook of Technical Writing Gerald J. Alred, Charles T. Brusaw, Walter E. Oliu, 2006 Alphabetically organized and easy to use its nearly 400 entries provide guidance for the most common types of professional documents and correspondence including reports proposals manuals memos and whit papers Abundant sample documents and visuals throughout the book demonstrate effective technical communication reflecting current practices for formatting documents and using e mail In addition advice on organizing researching writing and revising complements thorough treatment of grammar usage style and punctuation to provide comprehensive help with writing skills

The Handbook of Technical Writing, Seventh Edition Gerald J. Alred, Charles T. Brusaw, Walter E. Oliu, 2003-02-14 The seventh edition of this classic comprehensive reference is now easier to use and more thorough than ever With up to date coverage of workplace technology from e mail Internet research and writing for the Web to Web forms and page design the Handbook of Technical Writing offers expert advice for meeting the demands of online writing Abundant real world examples and sample documents throughout the text provide models for effective technical communication The book s new five way access structure the alphabetical organization topical key to the alphabetical entries checklist of the writing process comprehensive index and new topical list of figures and model documents provides even more ways of retrieving information faster This edition also includes new and revised entries on research documenting sources brochures formal reports newsletters proposals sales letters presentations and visuals With entries that have been consolidated and streamlined and in depth treatment of grammar usage and the writing skills that both students and professionals need to master the Handbook of Technical Writing remains both an accessible and easy to use guide and the quick reference faithful users have come to appreciate

The Business Writer's Handbook, Eighth Edition Gerald J. Alred, Charles T. Brusaw, Walter E. Oliu, 2006-03-07 Contains nearly four hundred alphabetized entries that provide guidance for writing business documents such as brochures press releases resumes executive summaries proposals and reports and provides general advice on organizing researching writing revising grammar usage style and punctuation

Discovering Lifetime Fitness, 1989

Catalog of Copyright Entries. Third Series Library of Congress. Copyright Office, 1977 *Mergent Moody's Industrial Manual*, 1999 **Subject Guide to Books in Print**, 2001 **Hill's Manual of Social and Business Forms** Thomas Edie Hill, 1882 **Manual Training Magazine** Charles Alpheus Bennett, William Thomas Bawden, 1925

Mergent Industrial Manual, 2003 **Biennial Report of the State Superintendent for the School Years Ending July 31 ... and July 31 ...** Indiana. Department of Public Instruction, 1901 Report Indiana. Department of Public

Instruction,1901 Annual Report of State Superintendent of Public Instruction Indiana. Department of Public
Instruction,1901 Report Indiana. Dept. of Public Instruction,1901 **Annual Report of the Department of Public**
Instruction of the State of Indiana Indiana. Department of Public Instruction,1901 **Schedule of Examinations and**
Instructions to Applicants United States Civil Service Commission,1912 **The New Revised Hill's Manual Illustrated**
Thomas Edie Hill,1897 Journal of Health, Physical Education, Recreation ,1952

Thank you certainly much for downloading **Life Fitness Manual**. Most likely you have knowledge that, people have look numerous period for their favorite books with this Life Fitness Manual, but stop occurring in harmful downloads.

Rather than enjoying a good ebook similar to a cup of coffee in the afternoon, instead they juggled subsequent to some harmful virus inside their computer. **Life Fitness Manual** is clear in our digital library an online access to it is set as public fittingly you can download it instantly. Our digital library saves in fused countries, allowing you to get the most less latency times to download any of our books afterward this one. Merely said, the Life Fitness Manual is universally compatible considering any devices to read.

https://splashdogs.com/book/detail/Download_PDFS/Instrument%20Trade%20Theory%20N3%202013%20Question%20Paper.pdf

Table of Contents Life Fitness Manual

1. Understanding the eBook Life Fitness Manual
 - The Rise of Digital Reading Life Fitness Manual
 - Advantages of eBooks Over Traditional Books
2. Identifying Life Fitness Manual
 - Exploring Different Genres
 - Considering Fiction vs. Non-Fiction
 - Determining Your Reading Goals
3. Choosing the Right eBook Platform
 - Popular eBook Platforms
 - Features to Look for in an Life Fitness Manual
 - User-Friendly Interface
4. Exploring eBook Recommendations from Life Fitness Manual
 - Personalized Recommendations
 - Life Fitness Manual User Reviews and Ratings

- Life Fitness Manual and Bestseller Lists
- 5. Accessing Life Fitness Manual Free and Paid eBooks
 - Life Fitness Manual Public Domain eBooks
 - Life Fitness Manual eBook Subscription Services
 - Life Fitness Manual Budget-Friendly Options
- 6. Navigating Life Fitness Manual eBook Formats
 - ePub, PDF, MOBI, and More
 - Life Fitness Manual Compatibility with Devices
 - Life Fitness Manual Enhanced eBook Features
- 7. Enhancing Your Reading Experience
 - Adjustable Fonts and Text Sizes of Life Fitness Manual
 - Highlighting and Note-Taking Life Fitness Manual
 - Interactive Elements Life Fitness Manual
- 8. Staying Engaged with Life Fitness Manual
 - Joining Online Reading Communities
 - Participating in Virtual Book Clubs
 - Following Authors and Publishers Life Fitness Manual
- 9. Balancing eBooks and Physical Books Life Fitness Manual
 - Benefits of a Digital Library
 - Creating a Diverse Reading Collection Life Fitness Manual
- 10. Overcoming Reading Challenges
 - Dealing with Digital Eye Strain
 - Minimizing Distractions
 - Managing Screen Time
- 11. Cultivating a Reading Routine Life Fitness Manual
 - Setting Reading Goals Life Fitness Manual
 - Carving Out Dedicated Reading Time
- 12. Sourcing Reliable Information of Life Fitness Manual
 - Fact-Checking eBook Content of Life Fitness Manual
 - Distinguishing Credible Sources

13. Promoting Lifelong Learning
 - Utilizing eBooks for Skill Development
 - Exploring Educational eBooks
14. Embracing eBook Trends
 - Integration of Multimedia Elements
 - Interactive and Gamified eBooks

Life Fitness Manual Introduction

In the digital age, access to information has become easier than ever before. The ability to download Life Fitness Manual has revolutionized the way we consume written content. Whether you are a student looking for course material, an avid reader searching for your next favorite book, or a professional seeking research papers, the option to download Life Fitness Manual has opened up a world of possibilities. Downloading Life Fitness Manual provides numerous advantages over physical copies of books and documents. Firstly, it is incredibly convenient. Gone are the days of carrying around heavy textbooks or bulky folders filled with papers. With the click of a button, you can gain immediate access to valuable resources on any device. This convenience allows for efficient studying, researching, and reading on the go. Moreover, the cost-effective nature of downloading Life Fitness Manual has democratized knowledge. Traditional books and academic journals can be expensive, making it difficult for individuals with limited financial resources to access information. By offering free PDF downloads, publishers and authors are enabling a wider audience to benefit from their work. This inclusivity promotes equal opportunities for learning and personal growth. There are numerous websites and platforms where individuals can download Life Fitness Manual. These websites range from academic databases offering research papers and journals to online libraries with an expansive collection of books from various genres. Many authors and publishers also upload their work to specific websites, granting readers access to their content without any charge. These platforms not only provide access to existing literature but also serve as an excellent platform for undiscovered authors to share their work with the world. However, it is essential to be cautious while downloading Life Fitness Manual. Some websites may offer pirated or illegally obtained copies of copyrighted material. Engaging in such activities not only violates copyright laws but also undermines the efforts of authors, publishers, and researchers. To ensure ethical downloading, it is advisable to utilize reputable websites that prioritize the legal distribution of content. When downloading Life Fitness Manual, users should also consider the potential security risks associated with online platforms. Malicious actors may exploit vulnerabilities in unprotected websites to distribute malware or steal personal information. To protect themselves, individuals should ensure their devices have reliable antivirus software installed and validate the legitimacy of the websites they are downloading from. In conclusion, the ability

to download Life Fitness Manual has transformed the way we access information. With the convenience, cost-effectiveness, and accessibility it offers, free PDF downloads have become a popular choice for students, researchers, and book lovers worldwide. However, it is crucial to engage in ethical downloading practices and prioritize personal security when utilizing online platforms. By doing so, individuals can make the most of the vast array of free PDF resources available and embark on a journey of continuous learning and intellectual growth.

FAQs About Life Fitness Manual Books

1. Where can I buy Life Fitness Manual books? Bookstores: Physical bookstores like Barnes & Noble, Waterstones, and independent local stores. Online Retailers: Amazon, Book Depository, and various online bookstores offer a wide range of books in physical and digital formats.
2. What are the different book formats available? Hardcover: Sturdy and durable, usually more expensive. Paperback: Cheaper, lighter, and more portable than hardcovers. E-books: Digital books available for e-readers like Kindle or software like Apple Books, Kindle, and Google Play Books.
3. How do I choose a Life Fitness Manual book to read? Genres: Consider the genre you enjoy (fiction, non-fiction, mystery, sci-fi, etc.). Recommendations: Ask friends, join book clubs, or explore online reviews and recommendations. Author: If you like a particular author, you might enjoy more of their work.
4. How do I take care of Life Fitness Manual books? Storage: Keep them away from direct sunlight and in a dry environment. Handling: Avoid folding pages, use bookmarks, and handle them with clean hands. Cleaning: Gently dust the covers and pages occasionally.
5. Can I borrow books without buying them? Public Libraries: Local libraries offer a wide range of books for borrowing. Book Swaps: Community book exchanges or online platforms where people exchange books.
6. How can I track my reading progress or manage my book collection? Book Tracking Apps: Goodreads, LibraryThing, and Book Catalogue are popular apps for tracking your reading progress and managing book collections. Spreadsheets: You can create your own spreadsheet to track books read, ratings, and other details.
7. What are Life Fitness Manual audiobooks, and where can I find them? Audiobooks: Audio recordings of books, perfect for listening while commuting or multitasking. Platforms: Audible, LibriVox, and Google Play Books offer a wide selection of audiobooks.
8. How do I support authors or the book industry? Buy Books: Purchase books from authors or independent bookstores.

Reviews: Leave reviews on platforms like Goodreads or Amazon. Promotion: Share your favorite books on social media or recommend them to friends.

9. Are there book clubs or reading communities I can join? Local Clubs: Check for local book clubs in libraries or community centers. Online Communities: Platforms like Goodreads have virtual book clubs and discussion groups.
10. Can I read Life Fitness Manual books for free? Public Domain Books: Many classic books are available for free as they're in the public domain. Free E-books: Some websites offer free e-books legally, like Project Gutenberg or Open Library.

Find Life Fitness Manual :

[instrument trade theory n3 2013 question paper](#)

[instruction of auto cut stabilizer with circuit diagram](#)

[integrated case management manual forms](#)

[instruction manual bionaire humidifier](#)

[instrucciones manual point power](#)

[instructor solutions manual vector mechanics engineers 10](#)

[instruction guide template](#)

[intek pro 206 manual](#)

instant phonedgap social app development shotts kerri

[instructors solutions manual thomas calculus joel](#)

instruction manual for nbnr

[instruction manual for whirlpool jacuzzi bath](#)

instructions for easy sailboat string art

[insurance billing 99386 and 9047together](#)

instruction manual for iphone 5

Life Fitness Manual :

caps lesson planning grade 8 mathematics - Apr 29 2022

web our grade r mathematics caps planning and record sheets are ideal for the foundation phase these planning and record sheets are teacher made our record sheets can

grade 8 mathematics resources for teachers lesson - Aug 14 2023

web aug 26 2019 use these grade 8 maths planning and record sheets to keep record of all your grade 8 maths teaching progress this is a lovely resource to have at hand in your

grade r caps lesson plans twinkl south africa twinkl - Jan 27 2022

web mar 31 2021 sepedi language grade 8 latest lesson plans sepedi grade 8 controlled tests exam papers and memos worksheets lessons and teaching plans

grade 8 maths complete caps syllabus mathsman learning - May 31 2022

web the clarification of terminology section within the topic or lesson plan itself or at the end of the lesson plan or topic as an educational resource in all cases the symbolic

caps grade 8 english camiweb com - Dec 26 2021

web a template to help you plan caps curriculum lessons this caps lesson plan template resource has been designed specifically for south african teachers like you by teachers

2021 revised curriculum and assessment plans - Mar 09 2023

web mar 10 2021 a template to help you plan caps curriculum lessons this resource has been designed specifically for south african teachers like you by teachers to help you

gr 8 maths tracker 2018 term 3 p132 nect org za - Apr 10 2023

web grade 8 lesson plan exemplar term 1 2021 topic whole numbers addition and subtraction lesson 1 concepts and skills use a range of strategies to perform and

grade 8 maths planning and record sheets caps based - May 11 2023

web to mediate the amendments of the trimmed and re organised 2021 annual teaching plans atp including school based assessment for mathematics grade 8 for

caps lesson planning template teacher made twinkl - Dec 06 2022

web how do i use the planner and tracker the caps planner and tracker is an expanded atp it helps you pace yourself as if you were able to cover everything in the atp caps

caps lesson planning grade 8 mathematics ftp bonide - Mar 29 2022

web cami education linked to caps mathematicsathematicsathematics grade 8 grade 8 grade 8 4 2 5 4 4 2 5 4 4 1 211 221 2 exponentsexponents

grade 8 maths planning and record sheets caps based twinkl - Jun 12 2023

web the caps prescribes four and a half hours of mathematics per week in grade 8 the tracker provides a suggested plan for five lessons a week with the first four lessons

free caps curriculum caps lesson plan template south - Sep 22 2021

mathematical literacy grade 8 latest lesson plans for all terms - Oct 04 2022

web here you will find the objectives and activities for gr 8 9 mathematics for 2023 4 gr 8 mathematics t2 2022 weekly teaching plan gr 8 mathematics t2 2022

sepedi language grade 8 latest lesson plans for all terms caps - Oct 24 2021

mathematics content booklet targeted support - Feb 25 2022

web mar 31 2021 mathematics grade 8 latest assignment and memos for caps curriculum syllabus south africa a national curriculum and assessment policy statement

mathematics grade 8 maths latest lesson plans for - Jul 13 2023

web use these grade 8 maths planning and record sheets to keep a record of all your grade 8 maths teaching progress this is a lovely resource to have at hand in your planning

gr 8 maths tracker term 1 2018 p116 kzn - Sep 03 2022

web course description the grade 8 maths complete caps syllabus course works through each topic of the grade 8 mathematics syllabus the course is full of educational maths

mathematics grade 8 maths latest assignment and memos caps - Nov 24 2021

planning wced eportal - Jul 01 2022

web 88 pages 8 projects over 87 common core standards for 9 grades k 8 how to achieve common core with tech the language strand is part of a five volume series that

171211 gr 8 maths tracker 2018 term 2 kzn p124 - Aug 02 2022

web caps lesson planning grade 8 mathematics lesson planner 2021 2022 dec 16 2021 simple lesson planner to start the school year 2021 2022 this planner is perfect

grade 8 lesson plan exemplar term 1 2021 lesson 1 - Feb 08 2023

web dear fellow mathematicians welcome to the wonderful world of mathematics this subject will help you develop mental processes that enhance logical and critical thinking

lesson plan gr 8 mathematics t3 w1 wced eportal - Jan 07 2023

web mar 31 2021 on this page you will find mathematical literacy grade 8 lesson plans for all terms for term 1 term 2 term 3 and term 4 this article contains hide available

mathematics grade 8 wced eportal - Nov 05 2022

web the caps prescribes four and a half hours of mathematics per week in grade 8 the tracker provides a suggested plan for five lessons a week with the first four lessons

science a ch1fp f - Apr 23 2022

web jun 2 2019 june 2012 science a ch1fp unit chemistry c1 chemistry unit chemistry c1 friday 15 june 2012 1 30 pm to 2 30 pm for this paper you must have a ruler the

science a 4405 chemistry 4402 physics maths tutor - Feb 02 2023

web science a 4405 chemistry 4402 ch1fp unit chemistry 1 mark scheme 2012 examination june series mark schemes are prepared by the principal examiner and

science a chemistry ch1fp specification 4405 4402 unit 1 - Dec 20 2021

web jun 2 2019 mark scheme general certificate of secondary education chemistry ch1fp june 2013 4 example 2 name two planets in the solar system 2 marks

free mathematics paper 31 june 2013 mark scheme - Jan 21 2022

web web ch1fp science chemistry june 2013 mark scheme britten s century may 03 2022 november 2013 marks the centenary of the birth of benjamin britten here is an

science a chemistry - Aug 28 2022

web ch1fp mark scheme 4405 4402 june 2016 version 1 0 final mark scheme mark schemes are prepared by the lead assessment writer and considered together with the

download free ocr gateway june 2013 mark scheme - Jul 27 2022

web ocr gateway june 2013 mark scheme ch1fp science chemistry june 2013 mark scheme book feb 18 2022 web ch1fp science chemistry june 2013 mark scheme britten s

ch1fp science chemistry june 2013 mark scheme - Mar 23 2022

web jun 6 2023 if you colleague custom such a referred ch1fp science chemistry june 2013 mark scheme books that will find the money for you worth obtain the positively best seller

final mark scheme science skool - Feb 19 2022

web science a chemistry ch1fp specification 4405 4402 unit 1 chemistry 1 final mark scheme mark schemes are prepared by the principal examiner and considered

science a ch1fp f toplevels co uk - Apr 04 2023

web june 2013 science a ch1fp unit chemistry c1 chemistry unit chemistry c1 monday 10 june 2013 1 30 pm to 2 30 pm for this paper you must have a ruler the chemistry

[science a chemistry ch1fp mark scheme pdf ion diesel](#) - Mar 03 2023

web science a chemistry ch1fp mark scheme 4405 4402 june 2014 version 1 0 final mark schemes are prepared by the lead assessment writer and considered together

[science a chemistry ch1fp specification 4405 4402 unit 1](#) - Oct 10 2023

web mark scheme general certificate of secondary education chemistry ch1fp june 2013 5 quality of written communication and levels marking in question 8 b

[mark scheme results march 2013 gcse chemistry 5ch1f 01](#) - Jun 25 2022

web apr 18 2013 answer acceptable answers mark 4 a ii d to neutralise excess acid 1 question number answer acceptable answers mark 4 b zinc oxide sulfuric acid zinc

ch1fp science chemistry june 2013 mark screm pdf full pdf - Jan 01 2023

web ch1fp science chemistry june 2013 mark screm pdf eventually you will completely discover a supplementary experience and deed by spending more cash still when pull

[science a chemistry mme revise](#) - Oct 30 2022

web mark scheme gcse science a chemistry ch1fp june 2014 5 of 15 quality of written communication and levels marking in question 7 b students are

[mark scheme paper 1f june 2013 ch1fp gcse chemistry](#) - Sep 09 2023

web paper code ch1fp view the mark scheme of paper 1f june 2013 of the gcse chemistry aqa 4402 syllabus mark scheme paper 1f june 2013 ch1fp gcse

science a chemistry - Sep 28 2022

web science a chemistry ch1fp mark scheme 4405 4402 june 2015 version stage 1 0 final mark schemes are prepared by the lead assessment writer and considered

[ch1fp science chemistry june 2013 mark screm pdf book](#) - Aug 08 2023

web apr 5 2023 chemistry june 2013 mark screm pdf but stop taking place in harmful downloads rather than enjoying a good ebook past a mug of coffee in the afternoon

[ch1fp science chemistry june 2013 mark screm](#) - May 25 2022

web ch1fp science chemistry june 2013 mark screm book nov 18 2021 3 humor and depth of feeling from the kitchen of half truth is a delicious debut contemporary novel fans of

final mark scheme - May 05 2023

web january 2013 science a chemistry ch1fp specification 4405 4402 unit 1 chemistry 1 final mark scheme mark scheme general certificate of education a level

ch1fp science chemistry june 2013 mark screm pdf copy - Nov 30 2022

web ch1fp science chemistry june 2013 mark screm pdf pages 2 4 ch1fp science chemistry june 2013 mark screm pdf upload
arnold s robertson 2 4 downloaded

ch1fp science chemistry june 2013 mark screm - Jul 07 2023

web this online revelation ch1fp science chemistry june 2013 mark screm can be one of the options to accompany you with
having other time it will not waste your time resign

ch1fp science chemistry june 2013 mark screm book - Jun 06 2023

web ch1fp science chemistry june 2013 mark screm britten s century may 03 2022 november 2013 marks the centenary of
the birth of benjamin britten here is an

champagner die dramatische geschichte des edelste karl fries - Feb 01 2023

web merely said the champagner die dramatische geschichte des edelste is universally compatible with any devices to read
goodwood revival uli weber 2014 this book is a

champagner die dramatische geschichte des edelste - Jan 20 2022

web champagner die dramatische geschichte des edelste unruly eloquence bracht branham 1989 02 05 branham expounds
with sophistication and subtlety the essential

champagner die dramatische geschichte des edelste - Jun 24 2022

web oct 2 1991 die champagner dynastie community kerstin am 27 03 2013 wunderbar endlich gibt es dieses meisterwerk
auf dvd zu kaufen jahrelang habe ich darauf

champagner die dramatische geschichte des edelste - Jun 05 2023

web durch die geschichte des hofjuden joseph süß oppenheimer der 1738 in stuttgart erhängt und in einem eisernen käfig
zum vogelfraß gemacht wurde legte er

die geschichte des champagners planet wissen - Mar 02 2023

web feb 27 2023 favorite readings like this champagner die dramatische geschichte des edelste but end up in infectious
downloads rather than enjoying a good book with a

champagner die dramatische geschichte des edelste full pdf - Aug 27 2022

web aug 27 2023 may 21st 2020 don amp petie klastrup champagner die dramatische geschichte des edelsten aller
getränke klett cotta stuttgart 2009 320 seiten isbn 978 3

champagner die dramatische geschichte des edelsten aller - Nov 17 2021

champagner die dramatische geschichte des edelste pdf - Apr 03 2023

web 2 champagner die dramatische geschichte des edelste 2023 08 26 verlag champagner zählt zu den bekanntesten schaumweinen der welt seine herstellung ist

[champagner die dramatische geschichte des edelsten aller](#) - Jul 26 2022

web mar 24 2023 die schule der trunkenheit folgt den verschlungenen pfeilen der spirituosen durch die wirren der letzten jahrhunderte heimat und wiege der schule

champagner die dramatische geschichte des edelste db csda - Jul 06 2023

web einschließlich des aufstiegs der mittelklasse nach der abschaffung der leibeigenschaft mitte des vorjahrhunderts und des niedergangs der macht des adels bei dieser

champagner die dramatische geschichte des edelsten aller - May 04 2023

web champagner die dramatische geschichte des edelsten aller getränke finden sie alle bücher von dorn petie kladstrup bei der büchersuchmaschine eurobuch com können

champagner die dramatische geschichte des edelste karl - Sep 27 2022

web zwischen dem glamour des pariser hotel ritz und den gefahren des widerstands entfaltet sich die geschichte einer ebenso schönen wie tapferen frau und einer großen liebe

[die champagner dynastie fernsehserien de](#) - May 24 2022

web grundriss zur geschichte der deutschen dichtung aus den quellen bd vom weltfrieden bis zur französischen revolution 1830 merkur literaturen champagner die

champagner die dramatische geschichte des edelsten aller - Sep 08 2023

web sie können die website auch ohne diese cookies nutzen durch klicken auf ich stimme zu erklären sie sich einverstanden dass wir cookies zu analyse zwecken setzen sie

[champagner die dramatische geschichte des edelste pdf](#) - Aug 07 2023

web 2 champagner die dramatische geschichte des edelste 2023 06 06 größenwahn anatol ein hypochonder der liebe diskutiert mit seinem freund max die probleme

champagner die dramatische geschichte des edelste robert - Dec 31 2022

web nov 28 2022 der älteste champagner der welt stadt land kunst 28 11 2022 in der finnischen ostsee bahren taucher in 50 meter tiefe gut erhaltene champagnerkisten

der älteste champagner der welt stadt land kunst 28 11 2022 - Nov 29 2022

web ein film aus der reihe freizeit mit dem schmidt max alle folgen hier 1 ard de freizeit start der schmidt max lässt die korken knallen mit cham

was macht champagner so besonders und woher kommt das - Oct 29 2022

web champagner die dramatische geschichte des edelste is manageable in our digital library an online right of entry to it is set as public for that reason you can download it

champagner die dramatische geschichte des edelste - Mar 22 2022

web beschreibt die wandlung einer frau vom püppchen zur selbstbewussten frau die sich nichts mehr von ihrem mann bieten lässt ibsen konfrontiert sein publikum mit figuren

champagner die dramatische geschichte des edelste - Feb 18 2022

web books bearing in mind this one merely said the champagner die dramatische geschichte des edelste is universally compatible considering any devices to read

champagner die dramatische geschichte des edelste full pdf - Apr 22 2022

web nach der party a beatrice disclafani 2017 04 25 die dramatische geschichte einer großen frauenfreundschaft texas in den 1950er jahren joan fortier ist das epizentrum

champagner die dramatische geschichte des edelsten aller - Oct 09 2023

web champagner die dramatische geschichte des edelsten aller getränke kladstrup don kladstrup petie zimmer dietmar isbn 9783608944464 kostenloser versand für alle bücher mit versand und verkauf duch amazon

champagner die dramatische geschichte des edelste pdf - Dec 19 2021

web sep 4 2023 champagner die dramatische geschichte des edelsten aller die besten bücher über champagner geschichte des champagners die ganze champagner