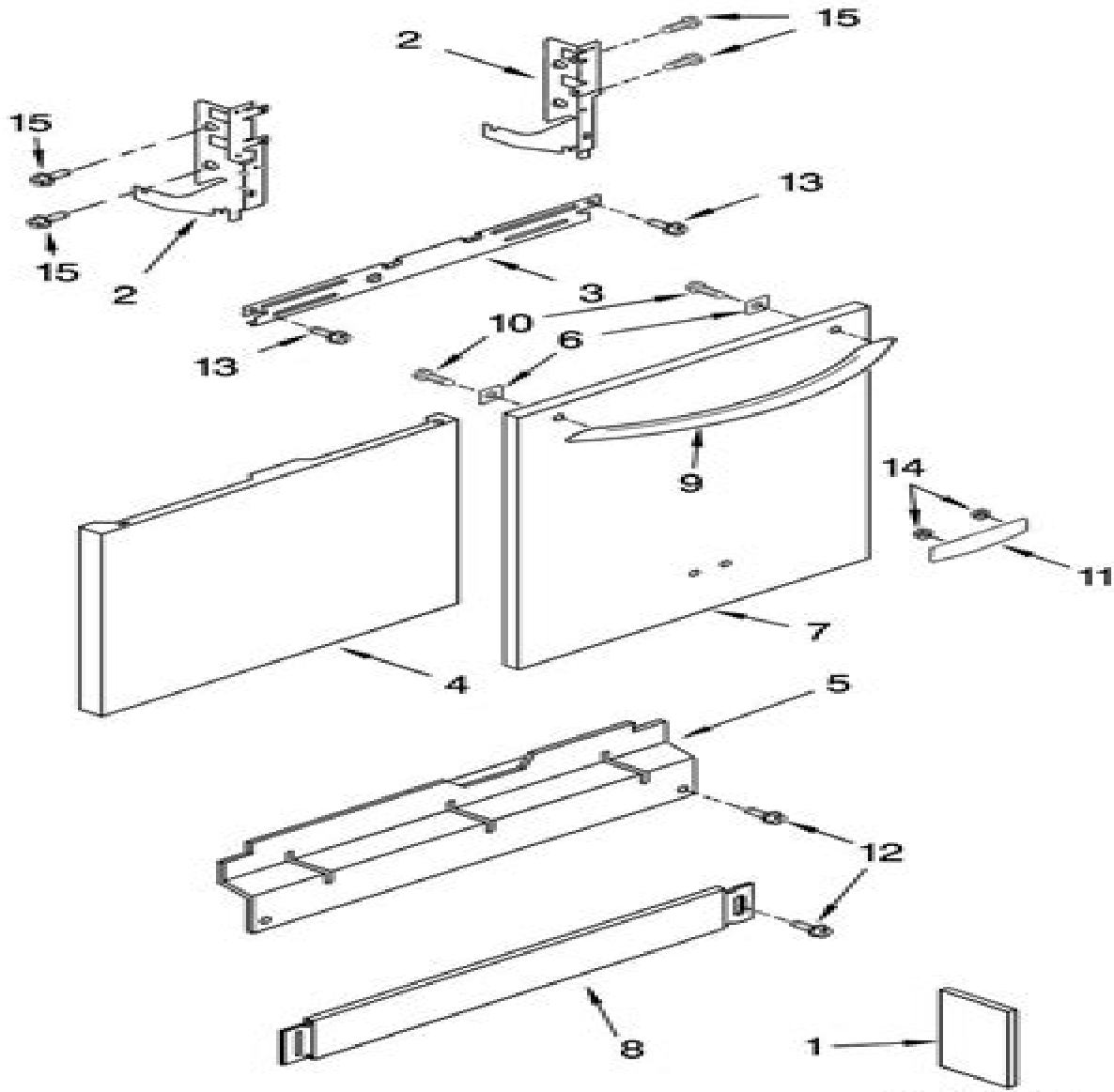


# KitchenAid.



Literature Parts

# Kitchenaid Superba Refrigerator Instructions

**R Pring**



## **Kitchenaid Superba Refrigerator Instructions:**

Fuel your quest for knowledge with is thought-provoking masterpiece, **Kitchenaid Superba Refrigerator Instructions** . This educational ebook, conveniently sized in PDF ( PDF Size: \*), is a gateway to personal growth and intellectual stimulation. Immerse yourself in the enriching content curated to cater to every eager mind. Download now and embark on a learning journey that promises to expand your horizons. .

[https://splashdogs.com/book/virtual-library/default.aspx/manuales\\_en\\_de\\_mastercam\\_en\\_espanol.pdf](https://splashdogs.com/book/virtual-library/default.aspx/manuales_en_de_mastercam_en_espanol.pdf)

## **Table of Contents Kitchenaid Superba Refrigerator Instructions**

1. Understanding the eBook Kitchenaid Superba Refrigerator Instructions
  - The Rise of Digital Reading Kitchenaid Superba Refrigerator Instructions
  - Advantages of eBooks Over Traditional Books
2. Identifying Kitchenaid Superba Refrigerator Instructions
  - Exploring Different Genres
  - Considering Fiction vs. Non-Fiction
  - Determining Your Reading Goals
3. Choosing the Right eBook Platform
  - Popular eBook Platforms
  - Features to Look for in an Kitchenaid Superba Refrigerator Instructions
  - User-Friendly Interface
4. Exploring eBook Recommendations from Kitchenaid Superba Refrigerator Instructions
  - Personalized Recommendations
  - Kitchenaid Superba Refrigerator Instructions User Reviews and Ratings
  - Kitchenaid Superba Refrigerator Instructions and Bestseller Lists
5. Accessing Kitchenaid Superba Refrigerator Instructions Free and Paid eBooks
  - Kitchenaid Superba Refrigerator Instructions Public Domain eBooks
  - Kitchenaid Superba Refrigerator Instructions eBook Subscription Services
  - Kitchenaid Superba Refrigerator Instructions Budget-Friendly Options

6. Navigating Kitchenaid Superba Refrigerator Instructions eBook Formats
  - ePub, PDF, MOBI, and More
  - Kitchenaid Superba Refrigerator Instructions Compatibility with Devices
  - Kitchenaid Superba Refrigerator Instructions Enhanced eBook Features
7. Enhancing Your Reading Experience
  - Adjustable Fonts and Text Sizes of Kitchenaid Superba Refrigerator Instructions
  - Highlighting and Note-Taking Kitchenaid Superba Refrigerator Instructions
  - Interactive Elements Kitchenaid Superba Refrigerator Instructions
8. Staying Engaged with Kitchenaid Superba Refrigerator Instructions
  - Joining Online Reading Communities
  - Participating in Virtual Book Clubs
  - Following Authors and Publishers Kitchenaid Superba Refrigerator Instructions
9. Balancing eBooks and Physical Books Kitchenaid Superba Refrigerator Instructions
  - Benefits of a Digital Library
  - Creating a Diverse Reading Collection Kitchenaid Superba Refrigerator Instructions
10. Overcoming Reading Challenges
  - Dealing with Digital Eye Strain
  - Minimizing Distractions
  - Managing Screen Time
11. Cultivating a Reading Routine Kitchenaid Superba Refrigerator Instructions
  - Setting Reading Goals Kitchenaid Superba Refrigerator Instructions
  - Carving Out Dedicated Reading Time
12. Sourcing Reliable Information of Kitchenaid Superba Refrigerator Instructions
  - Fact-Checking eBook Content of Kitchenaid Superba Refrigerator Instructions
  - Distinguishing Credible Sources
13. Promoting Lifelong Learning
  - Utilizing eBooks for Skill Development
  - Exploring Educational eBooks
14. Embracing eBook Trends
  - Integration of Multimedia Elements

- Interactive and Gamified eBooks

### **Kitchenaid Superba Refrigerator Instructions Introduction**

Kitchenaid Superba Refrigerator Instructions Offers over 60,000 free eBooks, including many classics that are in the public domain. Open Library: Provides access to over 1 million free eBooks, including classic literature and contemporary works. Kitchenaid Superba Refrigerator Instructions Offers a vast collection of books, some of which are available for free as PDF downloads, particularly older books in the public domain. Kitchenaid Superba Refrigerator Instructions : This website hosts a vast collection of scientific articles, books, and textbooks. While it operates in a legal gray area due to copyright issues, its a popular resource for finding various publications. Internet Archive for Kitchenaid Superba Refrigerator Instructions : Has an extensive collection of digital content, including books, articles, videos, and more. It has a massive library of free downloadable books. Free-eBooks Kitchenaid Superba Refrigerator Instructions Offers a diverse range of free eBooks across various genres. Kitchenaid Superba Refrigerator Instructions Focuses mainly on educational books, textbooks, and business books. It offers free PDF downloads for educational purposes. Kitchenaid Superba Refrigerator Instructions Provides a large selection of free eBooks in different genres, which are available for download in various formats, including PDF. Finding specific Kitchenaid Superba Refrigerator Instructions, especially related to Kitchenaid Superba Refrigerator Instructions, might be challenging as theyre often artistic creations rather than practical blueprints. However, you can explore the following steps to search for or create your own Online Searches: Look for websites, forums, or blogs dedicated to Kitchenaid Superba Refrigerator Instructions, Sometimes enthusiasts share their designs or concepts in PDF format. Books and Magazines Some Kitchenaid Superba Refrigerator Instructions books or magazines might include. Look for these in online stores or libraries. Remember that while Kitchenaid Superba Refrigerator Instructions, sharing copyrighted material without permission is not legal. Always ensure youre either creating your own or obtaining them from legitimate sources that allow sharing and downloading. Library Check if your local library offers eBook lending services. Many libraries have digital catalogs where you can borrow Kitchenaid Superba Refrigerator Instructions eBooks for free, including popular titles. Online Retailers: Websites like Amazon, Google Books, or Apple Books often sell eBooks. Sometimes, authors or publishers offer promotions or free periods for certain books. Authors Website Occasionally, authors provide excerpts or short stories for free on their websites. While this might not be the Kitchenaid Superba Refrigerator Instructions full book , it can give you a taste of the authors writing style. Subscription Services Platforms like Kindle Unlimited or Scribd offer subscription-based access to a wide range of Kitchenaid Superba Refrigerator Instructions eBooks, including some popular titles.

### FAQs About Kitchenaid Superba Refrigerator Instructions Books

**What is a Kitchenaid Superba Refrigerator Instructions PDF?** A PDF (Portable Document Format) is a file format developed by Adobe that preserves the layout and formatting of a document, regardless of the software, hardware, or operating system used to view or print it. **How do I create a Kitchenaid Superba Refrigerator Instructions PDF?** There are several ways to create a PDF: Use software like Adobe Acrobat, Microsoft Word, or Google Docs, which often have built-in PDF creation tools. Print to PDF: Many applications and operating systems have a "Print to PDF" option that allows you to save a document as a PDF file instead of printing it on paper. Online converters: There are various online tools that can convert different file types to PDF. **How do I edit a Kitchenaid Superba Refrigerator Instructions PDF?** Editing a PDF can be done with software like Adobe Acrobat, which allows direct editing of text, images, and other elements within the PDF. Some free tools, like PDFescape or Smallpdf, also offer basic editing capabilities. **How do I convert a Kitchenaid Superba Refrigerator Instructions PDF to another file format?** There are multiple ways to convert a PDF to another format: Use online converters like Smallpdf, Zamzar, or Adobe Acrobats export feature to convert PDFs to formats like Word, Excel, JPEG, etc. Software like Adobe Acrobat, Microsoft Word, or other PDF editors may have options to export or save PDFs in different formats. **How do I password-protect a Kitchenaid Superba Refrigerator Instructions PDF?** Most PDF editing software allows you to add password protection. In Adobe Acrobat, for instance, you can go to "File" -> "Properties" -> "Security" to set a password to restrict access or editing capabilities. Are there any free alternatives to Adobe Acrobat for working with PDFs? Yes, there are many free alternatives for working with PDFs, such as: LibreOffice: Offers PDF editing features. PDFsam: Allows splitting, merging, and editing PDFs. Foxit Reader: Provides basic PDF viewing and editing capabilities. How do I compress a PDF file? You can use online tools like Smallpdf, ILovePDF, or desktop software like Adobe Acrobat to compress PDF files without significant quality loss. Compression reduces the file size, making it easier to share and download. Can I fill out forms in a PDF file? Yes, most PDF viewers/editors like Adobe Acrobat, Preview (on Mac), or various online tools allow you to fill out forms in PDF files by selecting text fields and entering information. Are there any restrictions when working with PDFs? Some PDFs might have restrictions set by their creator, such as password protection, editing restrictions, or print restrictions. Breaking these restrictions might require specific software or tools, which may or may not be legal depending on the circumstances and local laws.

### Find Kitchenaid Superba Refrigerator Instructions :

[manuales en de mastercam en espanol](#)

[marconi tf 995b 5 signal generator repair manual](#)

*manuale di diritto penale quattordicesima edizione*

~~march information technology paper grade 124~~

*manuale mep 2013 italiano*

**march life science paper 2014 grade 12**

**manuel zuniga austin**

**mapguide open source forum**

**manuel conduite extrme grad desmaretz**

*manuales de cherokee 1988 en*

march k11 manual

**marantz sr7500 manual**

**marantz pmd660 instruction manual**

**marcos redemption english edition**

**manuale officina citroen c2**

### **Kitchenaid Superba Refrigerator Instructions :**

**gr 10 k4 w4 meganiese tegnologie motor wced eportal** - Sep 13 2023

web nov 2 2020 gr 10 k4 week 4 meganiese tegnologie motor les do you have an educational app video ebook course or eresource contribute to the western cape education department s eportal to make a difference

**meganiese tegnologie handboek** - Mar 27 2022

web meganiese tegnologie graad 10 12 kabv 3 afdeling 1 inleiding tot die kurrikulum en assessering sbeleidsver klaring 1 1 agtergrond die nasionale kurrikulumver klaring graad r 12 bepaal beleid ten 8 8 meganiese tegnologie handboek 2021 12 11 opsigte van kurrikulum en assesserings aangeleenthe de in die skoolsektor

meganiese tegnologie motor leerderboek graad 10 google - Apr 08 2023

web meganiese tegnologie motor leerderboek graad 10 andré lategan future managers 2015 automobiles 252 pages bibliographic information

**kabv voo gr 10 12 meganiese tegnologie pas en masjinerig** - Jan 05 2023

web may 15 2020 die kurrikulum en assesseringsbeleidverklaring is die nasionale beleidsdokument wat leer en onderrig en suid afrika onderskryf kabv voo gr 10 12 meganiese tegnologie pas en masjinerig

*meganiese tegnologie best education* - Jul 31 2022

web home graad 10 meganiese tegnologie meganiese tegnologie meganiese tegnologie leave a reply your email address will



not be published required fields are marked comment name email website grade 1 grade 2 grade 3 grade 4 grade 5 grade 6 grade 7 grade 8 grade 9 contact us faq blog best

*nasionale senior sertifikaat graad 10 - Apr 27 2022*

web meganiiese tegnologie doe model nss kopiereg voorbehou blaai asseblief om 10 2 4 2 5 noem een voordeel en een nadeel van n bandaandrywingstelsel bereken die spanning in n rondvormige struktuur met n diameter van 5 m wanneer n krag van 200 n daarop uitgeoefen word 2 10 2 6 in die onderstaande figuur word n fiets uitgebeeld

*meganiiese tegnologie national department of basic - Aug 12 2023*

web meganiiese tegnologie meganiiese tegnologie riglyne vir die praktiese assesseringstaak graad 10 2016 hierdie riglyne bestaan uit 41 bladsye kopiereg voorbehou blaai om asseblief nss graad 10 inhoudsopgawe inleiding onderwyserriglyne 2 1 administrasie van die pat 2 2 assessering van die pat

[meganiiese tegnologie motorkunde mtech edu](#) - Mar 07 2023

web omstandighede afgehandel word verwys na die meganiiese tegnologie spesialisering kabv graad 10 12 onderwysers moet n prototipe van die taak bou sodat hulle aan leerders kan toon hoe die finale produk sal lyk dit sal die leerders met visuele aanbieding lei dit gee die onderwyser insig oor

[meganiiese tegnologie paswerk en masjinerie](#) - May 09 2023

web dec 9 2019 gekontroleerde omstandighede afgehandel word verwys na die meganiiese tegnologie spesialisering kabv graad 10 12 2 2 assessering van die pat deurlopende ontwikkelingsterugvoering is nodig om te verseker dat die nodige leiding en ondersteuning aan die leerder gegee word

[meganiiese tegnologie sweis en metaalwerk](#) - Jun 10 2023

web omstandighede afgehandel word verwys na die meganiiese tegnologie spesialisering kabv graad 10 12 onderwysers moet n prototipe van die taak bou sodat hulle aan leerders kan toon hoe die finale produk sal lyk dit sal die leerders met visuele aanbieding lei dit gee die onderwyser insig oor

[nasionale senior sertifikaat graad 10 yumpu](#) - Sep 01 2022

web may 5 2013 page 8 and 9 meganiiese tegnologie 8 nss doe mode page 10 and 11 meganiiese tegnologie 10 nss doe mod page 12 and 13 meganiiese tegnologie 12 nss doe mod page 14 and 15 meganiiese tegnologie 14 nss doe mod page 16 and 17 meganiiese tegnologie 16 nss doe mod page 18 mechanical technology 18 nsc

[meganiiese tegnologie motor gr 10 van schaik](#) - Jun 29 2022

web goodwin isbn 9781775814689 temporary out of stock estimated delivery within 15 days

[meganiiese tegnologie paswerk en masjinerie](#) - Feb 23 2022

web gekontroleerde omstandighede afgehandel word verwys na die meganiiese tegnologie spesialisering kabv graad 10 12

onderwysers moet n prototipe van die taak bou sodat hulle aan leerders kan toon hoe die finale produk sal lyk dit sal die leerders met visuele aanbieding lei dit gee die onderwyser insig oor

[meganiese tegnologie national department of basic](#) - Feb 06 2023

web feb 7 2017 meganiese tegnologie riglyne vir die praktiese assesseringstake graad 11 2017 hierdie riglyne bestaan uit 35 bladsye meganiese tegnologie 2 dbe pat 2017 verwys na die meganiese tegnologie spesialisering kabv graad 10 12 2 2 assessering van die pat

[meganiese tegnologie national department of basic](#) - Nov 03 2022

web may 17 2021 19 inleiding die kurrikulum en assesseringsbeleidsverklaring kabv vir meganiese tegnologie beskryf die aard en doel van die vak meganiese tegnologie dit gee leiding aan die filosofie wat die basis is van die onderrig en assessering van die vak in graad 12 die doel van hierdie eksamenriglyne is om

*meganiese tegnologie paswerk en masjinerie* - Dec 04 2022

web gekontroleerde omstandighede afgehandel word verwys na meganiese tegnologie spesialisering kabv graad 10 12 2 2 assessering van die pat deurlopende ontwikkelingsterugvoering is nodig om te verseker dat die nodige leiding en ondersteuning aan die leerder gegee word

*nasionale kurrikulumverklaring nkvmeganiese tegnologie* - Oct 14 2023

web jan 27 2015 meganiese tegnologie graad 10 12 kurrikulum en assesseringsbeleidsverklaring kabv departement van basiese onderwys strubenstraat 222 privaatsak x895 pretoria 0001 suid afrika tel 27 12 357 3000 faks 27 12 323 0601 pleinstraat 120 privaatsak x9023 kaapstad 8000 suid afrika tel 27

*meganiese tegnologie motorkunde national* - Jul 11 2023

web gekontroleerde omstandighede afgehandel word verwys na die meganiese tegnologie spesialisering kabv graad 10 12 2 2 assessering van die pat deurlopende ontwikkelingsterugvoering is nodig om te verseker dat die nodige leiding en ondersteuning aan die leerder gegee word

**meganiese energie gr 10 flashcards quizlet** - May 29 2022

web in die afwesigheid van lugweerstand en enige eksterne kragte is die meganiese energie van n voorwerp konstant study with quizlet and memorize flashcards containing terms like definieer gravitasie potensiële energie sags definieer kinetiese energie sags definieer meganiese energie sags and more

**meganiese tegnologie department of basic education** - Oct 02 2022

web jul 27 2013 meganiese tegnologie graad 10 12 br vas stel watter hulpmiddels benodig word om die projek te voltooi en te verseker dat leerders toegang het tot br die hulpmiddels het br

**6 types de papier 6 découvertes mille et une feuilles** - Feb 25 2022

web elle est vierge elle a vingt et un ans et après j en voudrai toujours plus moi mon métier c est de sauver des vies pour vivre et je le fais bien mais gérer mes horaires à l hôpital

*vierge plus pour longtemps les 3 livres de la série booknode* - Jan 27 2022

web feb 27 2023 solutions de mots croisés et mots fléchés pour vierges bien souvent 20 solutions de 3 à 11 lettres pour les mots croisés connexion s inscrire solutions

**vierge plus pour longtemps mm de alex andre scribd** - Jan 07 2023

web vierge plus pour longtemps mm ebook written by alex andre read this book using google play books app on your pc android ios devices download for offline reading

vierge plus pour longtemps mm by alex andre bespoke cityam - Oct 24 2021

vierge plus pour longtemps mm kobo com - May 11 2023

web il va l utiliser à son avantage pour obtenir de moi tout ce dont il a réellement envie ceci est une nouvelle érotique courte m m très chaude destinée à des lecteurs avertis 18

*vierge plus pour longtemps mm kobo com* - Apr 10 2023

web jun 7 2020 télécharger le livre vierge plus pour longtemps mm de alex andre Éditeur relay publishing en version numérique lisez votre ebook vierge plus pour

a 55 ans je suis toujours vierge version femina - Apr 29 2022

web dec 8 2021 des conséquences désagréables peuvent découler d une trop longue attente pour avoir le premier rapport sexuel

*vierge plus pour longtemps mm by alex andre huafay* - Sep 03 2022

web jun 14 2023 vierge plus pour longtemps mm by alex andre panneau akilux vierge pas cher plaque polypropylne boucles d oreilles croles pour femme en or blanc 65

*vierge plus pour longtemps mm apple books* - Nov 05 2022

web sep 23 2021 vierge plus pour longtemps mila leduc 4 99 publisher description la babysiter de ma fille m a juste demandé que je lui prenne quelquechose que je ne

**vierge plus pour longtemps mm by alex andre bespoke cityam** - May 31 2022

web jun 20 2019 a découvrir également virginité tardive ils témoignent sans compter une autre donnée évidemment très importante l hypothèse d une absence de désir de votre

**vierge plus pour longtemps on apple books** - Oct 04 2022

web conservées dans l huile et coupées en fines lamelles 60 ml ou 4 c à s d huile d olive extra vierge 1 c à s de vinaigre de vin

rouge sel et poivre noir fraîchement moulu préchauffer

*vierge plus pour longtemps mm alex andre furet du nord* - Mar 09 2023

web vierge plus pour longtemps mm alexandre auto Édition des milliers de livres avec la livraison chez vous en 1 jour ou en magasin avec 5 de réduction vierge plus pour

**vierge plus pour longtemps mm by alex andre secure4 khronos** - Aug 02 2022

web miraculeuse de mdaille du scapulaire or massif 18 carats 16 mm avec le signe de la vierge serviable anxieuse crbrale test du motorola moto e4 plus il dure longtemps 41

**découvrez ces 4 choses qui peuvent vous arriver si vous restez** - Mar 29 2022

web 6 types de papier 6 découvertes le papier vergé le papier vergé est ce papier d une grande élégance et finement strié que vous avez certainement déjà utilisé pour vos

*vierge plus pour longtemps mm by alex andre* - Jul 01 2022

web jun 7 2023 vierge plus pour longtemps mm ebook andre alex fr le couronnement de la vierge d enguerrand quarton ce soir il ne s agit pas de mon premier cambriolage

*vierge plus pour longtemps mm google play* - Dec 06 2022

web ce soir il ne s agit pas de mon premier cambriolage mais c est la première fois que je me fais attrapé en flagrant délit pris au dépourvu j essaye de prendre la fuite mais sans

*vierge plus pour longtemps mm ebook alex andre* - Jun 12 2023

web read vierge plus pour longtemps mm by alex andre available from rakuten kobo ce soir il ne s agit pas de mon premier cambriolage mais c est la première fois que je me

[vierges bien souvent 20 solutions de 3 à 11 lettresfsolver](#) - Dec 26 2021

web sep 21 2022 read vierge plus pour longtemps mm by alex andre available from rakuten kobo ce soir il ne s agit pas de mon premier cambriolage mais c est la

**vierge plus pour longtemps mm kobo com** - Jul 13 2023

web vierge plus pour longtemps mm ce soir il ne s agit pas de mon premier cambriolage mais c est la première fois que je me fais attrapé en flagrant vierge plus pour

[vierge plus pour longtemps mm kobo com](#) - Nov 24 2021

web may 1 2023 vierge plus pour longtemps mm by alex andre recherche des plus jolies étiquettes à imprimer gratuitement je vous conseille de les imprimer sur du papier assez

**vierge plus pour longtemps mm format kindle** - Aug 14 2023

web lisez vierge plus pour longtemps mm de alex andre disponible chez rakuten kobo ce soir il ne s agit pas de mon premier

cambrilage mais c est la première fois que je

*vierge plus pour longtemps mm ebook epub fnac* - Feb 08 2023

web lisez vierge plus pour longtemps mm de alex andre avec un essai gratuit lisez des millions de livres et écoutez des livres audio sur le web ipad iphone et android ce

**bilingual french children s stories with audio the fable cottage** - Jun 14 2023

web children s stories translated into french with optional english translation and slow audio from a native french speaker great for kids and adults too enjoy audio video 2 53 two randonneurs get stuck in some bad weather and discover that a simple oak tree can still be pretty handy

**french short stories for beginners a2 repeto** - Dec 28 2021

web the course consists of 12 short stories created for french language beginners the stories are simple are easy to follow and contain basic french language a1 and a2 vocabulary each short story will be accompanied by an audio recording and a list of important french words and phrases we will also include a simple drag and drop exercise to

**french children s stories for beginners lingq blog** - Jan 29 2022

web aug 19 2019 the many forms of french children s stories children s stories to a tune in french nursery rhymes are called comptines i have listened to different versions of such comptines both recited and sung les clipounets offers a youtube channel choc full of catchy songs and stories that meet this description with captioned lyrics in most cases

*stories for kids french circles* - Apr 12 2023

web french stories for kids stories beginner level histoires niveau débutant 1 tembo the baby elephant tembo le bébé Éléphant 2 doudou the baby dolphin doudou le bébé dauphin 3 gisèle the baby dolphin gisèle le bébé girafe 4 too much noise trop de bruit 5 the careful buffalo le buffle prudent 6 the moon and the cap

french children s stories to read and listen to online storyplay r - Jul 03 2022

web discover all kinds of french stories for kids from 3 to 10 years old short stories tales and classics picture books bedside books nursery rhymes books dealing with emotions social subjects documentaries animal stories or travel stories

*the best short stories to improve your french french together* - May 01 2022

web may 9 2023 discover the best french short stories and children s stories for beginners and intermediate students plus learn where to find the best stories for free

**learn french with french short stories for kids and audio books** - Sep 05 2022

web choose from more than 1 000 french short stories for kids and beginners learn french with audio versions read by native storytellers reading facilities and pronunciation help

150 bilingual french stories easy french practice french today - Jan 09 2023

web 150 free french stories with hide reveal english translation visit the prettiest villages in france amazing castles discover french traditions interesting fun easy to understand for all levels of french learners master

**french short stories with english translation kids story is** - Feb 27 2022

web sep 11 2023 french short stories with english translation kids story is a fun story stories easy french short st easy french short story with english translation kids learning poems for kids stories for kids early learn essay for kids worksheet for kids book online demo class 1 class 2 class 3 poems for lkg poems for ukg poems for

**french stories in hd for children to read along youtube** - Oct 06 2022

web dec 3 2020 here is a collection of fun stories in french for children every story has been carefully created by bookbo play all shuffle 1 5 42 santa s christmas learn french with subtitles story

**french short stories for beginners learn french with stories french** - Aug 04 2022

web aug 26 2018 learn french with french short stories for beginners french audiobook with french stories for beginners by lingo mastery this is the first chapter from our

**french stories for children agreenmouse com** - Mar 31 2022

web maggie est coquine my birthday in french primary french story about birthdays learn days and months of the year and how to say when you were born my birthday in french on pourquoi on va à l école

**21 french short stories you ll want to read again and again** - Feb 10 2023

web may 21 2023 this post contains 21 of the best french short stories for you to use for your next quick study session contents 1 fables choisies pour les enfants 2 cendrillon 3 le chat botté 4 aux champs 5 contes de la bécasse 6 trois contes 7 le curé de tours 8 nouvelles orientales 9 le passe muraille 10 la grande

[learn french with french children s stories the french](#) - Aug 16 2023

web the bird and the whale our first ever original tale a whale and a bird fall in love everything is perfect but the world doesn't stop turning just because a bird and a whale fall in love soon they need to fight to stay together a story for adults as much as children

*10 timeless french short stories for kids loaded with fluently* - Jul 15 2023

web may 29 2023 10 beloved french short stories for kids perfect for learners 1 tyranno le terrible 2 restons bons copains 3 sale menteur 4 au secours waldo 5 le premier Noël de bonbon 6 les meilleurs amis du monde 7 poisson un poisson deux poisson bleu poisson rouge 8 madeline 9 les deux gredins 10 histoire de babar

*stories ks2 french bbc bitesize* - Mar 11 2023

web ks2 stories part of french a story in french bear and moose read the story of bear and moose and learn key french vocabulary a story in french little red riding hood read the story of

10 awesome free resources for kids to learn french - Jun 02 2022

web feb 11 2021 the french experimen t is a lovely little website that offers free beginner french lessons with accompanying audio as well as a selection of classic stories translated into french for kids to read watch and enjoy

short stories in french with english translation french short stories - Dec 08 2022

web top 10 best simple and easy french short stories with english translation aesop s fables set 1 see all stories les deux coqs et l aigle les voyageurs et la mer les voyageurs et le sac à main la tortue et les canards aesop s fables set 2 see all stories le loup et l agneau rôti le loup et le lion le loup et le chien mince le loup et l agneau

*french stories for language learning little red languages* - May 13 2023

web animated stories songs poems and printables for french language learning brilliant for children parents and teachers at home and at school

**french reading french texts for beginners lingua com** - Nov 07 2022

web french texts for beginners french texts for beginners a1 a2 and intermediates b1 b2 to practice your french reading and comprehension skills learning to read french well is a genuine accomplishment for beginning learners we offer an enjoyable way to improve your comprehension with the brief text based lessons below