



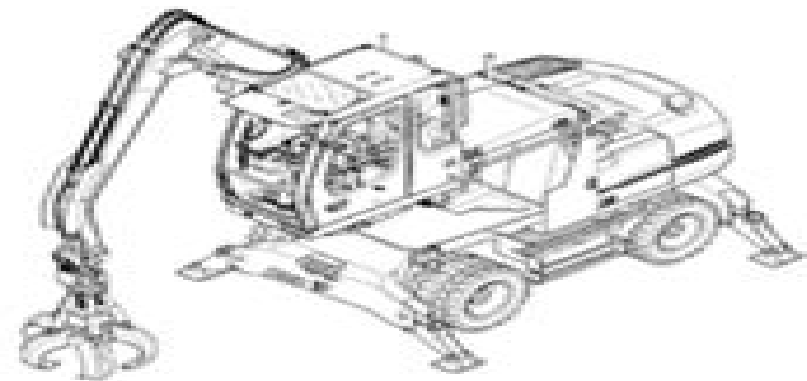
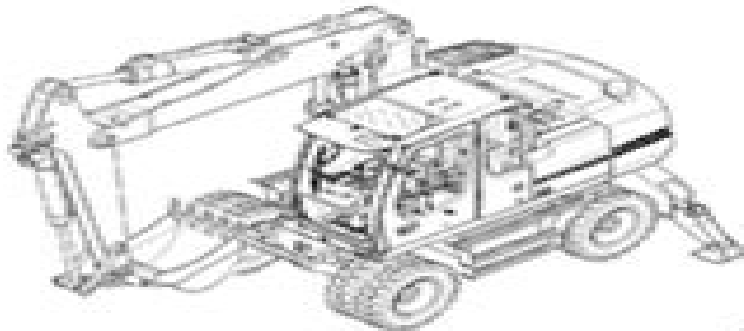
100% SATISFACTION GUARANTEE

DO
IT
YOUR
SELF



Instant Download

Liebherr A316 Litronic, A316 Litronic Industrial Hydraulic Excavator



Operation & Maintenance

Liebherr A316 Litronic Hydraulic Excavator Operation Maintenance Manual

Caterpillar Inc. Peoria, Ill..



Liebherr A316 Litronic Hydraulic Excavator Operation Maintenance Manual:

Operation & Maintenance Manual Caterpillar Inc. Peoria, Ill., 1998 *Operation & Maintenance Manual* Caterpillar Inc. Peoria, Ill., 1994 **Operation & Maintenance Manual** Caterpillar Inc. Peoria, Ill., 1994 **Operation & Maintenance Manual** Caterpillar Inc. Peoria, Ill., 1992 Operation & Maintenance Manual Caterpillar Inc, 1994 Operation & Maintenance Manual Caterpillar Inc. Peoria, Ill., 1994 Operation & Maintenance Manual Caterpillar Inc. Peoria, Ill., 1998 *Operation & Maintenance Manual* Caterpillar Inc, 1994 **Operation & Maintenance Manual** Caterpillar Inc. Peoria, Ill., 1994 *Operation & Maintenance Manual* Caterpillar Inc. Peoria, Ill., 1999 **Operation & Maintenance Manual** Caterpillar Inc. Peoria, Ill., 1992 **Operation and Maintenance Manual** , 1988 *Operation & Maintenance Manual* Caterpillar Inc. Peoria, Ill., 1992 Operation & Maintenance Manual Caterpillar Inc, 1996 **Yanmar Excavator** , **Operation & Maintenance Manual** Caterpillar Inc, 1996 *Operation & Maintenance Manual* Caterpillar Inc, 1992 *Operation & Maintenance Manual* Caterpillar Inc. Peoria, Ill., 1997 **Operation & Maintenance Manual** Caterpillar Inc. Peoria, Ill., 1992

Decoding **Liebherr A316 Litronic Hydraulic Excavator Operation Maintenance Manual**: Revealing the Captivating Potential of Verbal Expression

In an era characterized by interconnectedness and an insatiable thirst for knowledge, the captivating potential of verbal expression has emerged as a formidable force. Its ability to evoke sentiments, stimulate introspection, and incite profound transformations is genuinely awe-inspiring. Within the pages of "**Liebherr A316 Litronic Hydraulic Excavator Operation Maintenance Manual**," a mesmerizing literary creation penned with a celebrated wordsmith, readers embark on an enlightening odyssey, unraveling the intricate significance of language and its enduring affect our lives. In this appraisal, we shall explore the book's central themes, evaluate its distinctive writing style, and gauge its pervasive influence on the hearts and minds of its readership.

<https://splashdogs.com/book/browse/fetch.php/Itek%20975%20Pfa%20Manual.pdf>

Table of Contents Liebherr A316 Litronic Hydraulic Excavator Operation Maintenance Manual

1. Understanding the eBook Liebherr A316 Litronic Hydraulic Excavator Operation Maintenance Manual
 - The Rise of Digital Reading Liebherr A316 Litronic Hydraulic Excavator Operation Maintenance Manual
 - Advantages of eBooks Over Traditional Books
2. Identifying Liebherr A316 Litronic Hydraulic Excavator Operation Maintenance Manual
 - Exploring Different Genres
 - Considering Fiction vs. Non-Fiction
 - Determining Your Reading Goals
3. Choosing the Right eBook Platform
 - Popular eBook Platforms
 - Features to Look for in an Liebherr A316 Litronic Hydraulic Excavator Operation Maintenance Manual
 - User-Friendly Interface
4. Exploring eBook Recommendations from Liebherr A316 Litronic Hydraulic Excavator Operation Maintenance Manual
 - Personalized Recommendations

Liebherr A316 Litronic Hydraulic Excavator Operation Maintenance Manual

- Liebherr A316 Litronic Hydraulic Excavator Operation Maintenance Manual User Reviews and Ratings
- Liebherr A316 Litronic Hydraulic Excavator Operation Maintenance Manual and Bestseller Lists
- 5. Accessing Liebherr A316 Litronic Hydraulic Excavator Operation Maintenance Manual Free and Paid eBooks
 - Liebherr A316 Litronic Hydraulic Excavator Operation Maintenance Manual Public Domain eBooks
 - Liebherr A316 Litronic Hydraulic Excavator Operation Maintenance Manual eBook Subscription Services
 - Liebherr A316 Litronic Hydraulic Excavator Operation Maintenance Manual Budget-Friendly Options
- 6. Navigating Liebherr A316 Litronic Hydraulic Excavator Operation Maintenance Manual eBook Formats
 - ePub, PDF, MOBI, and More
 - Liebherr A316 Litronic Hydraulic Excavator Operation Maintenance Manual Compatibility with Devices
 - Liebherr A316 Litronic Hydraulic Excavator Operation Maintenance Manual Enhanced eBook Features
- 7. Enhancing Your Reading Experience
 - Adjustable Fonts and Text Sizes of Liebherr A316 Litronic Hydraulic Excavator Operation Maintenance Manual
 - Highlighting and Note-Taking Liebherr A316 Litronic Hydraulic Excavator Operation Maintenance Manual
 - Interactive Elements Liebherr A316 Litronic Hydraulic Excavator Operation Maintenance Manual
- 8. Staying Engaged with Liebherr A316 Litronic Hydraulic Excavator Operation Maintenance Manual
 - Joining Online Reading Communities
 - Participating in Virtual Book Clubs
 - Following Authors and Publishers Liebherr A316 Litronic Hydraulic Excavator Operation Maintenance Manual
- 9. Balancing eBooks and Physical Books Liebherr A316 Litronic Hydraulic Excavator Operation Maintenance Manual
 - Benefits of a Digital Library
 - Creating a Diverse Reading Collection Liebherr A316 Litronic Hydraulic Excavator Operation Maintenance Manual
- 10. Overcoming Reading Challenges
 - Dealing with Digital Eye Strain
 - Minimizing Distractions
 - Managing Screen Time
- 11. Cultivating a Reading Routine Liebherr A316 Litronic Hydraulic Excavator Operation Maintenance Manual
 - Setting Reading Goals Liebherr A316 Litronic Hydraulic Excavator Operation Maintenance Manual
 - Carving Out Dedicated Reading Time
- 12. Sourcing Reliable Information of Liebherr A316 Litronic Hydraulic Excavator Operation Maintenance Manual

- Fact-Checking eBook Content of Liebherr A316 Litronic Hydraulic Excavator Operation Maintenance Manual
 - Distinguishing Credible Sources
13. Promoting Lifelong Learning
- Utilizing eBooks for Skill Development
 - Exploring Educational eBooks
14. Embracing eBook Trends
- Integration of Multimedia Elements
 - Interactive and Gamified eBooks

Liebherr A316 Litronic Hydraulic Excavator Operation Maintenance Manual Introduction

Free PDF Books and Manuals for Download: Unlocking Knowledge at Your Fingertips In today's fast-paced digital age, obtaining valuable knowledge has become easier than ever. Thanks to the internet, a vast array of books and manuals are now available for free download in PDF format. Whether you are a student, professional, or simply an avid reader, this treasure trove of downloadable resources offers a wealth of information, conveniently accessible anytime, anywhere. The advent of online libraries and platforms dedicated to sharing knowledge has revolutionized the way we consume information. No longer confined to physical libraries or bookstores, readers can now access an extensive collection of digital books and manuals with just a few clicks. These resources, available in PDF, Microsoft Word, and PowerPoint formats, cater to a wide range of interests, including literature, technology, science, history, and much more. One notable platform where you can explore and download free Liebherr A316 Litronic Hydraulic Excavator Operation Maintenance Manual PDF books and manuals is the internet's largest free library. Hosted online, this catalog compiles a vast assortment of documents, making it a veritable goldmine of knowledge. With its easy-to-use website interface and customizable PDF generator, this platform offers a user-friendly experience, allowing individuals to effortlessly navigate and access the information they seek. The availability of free PDF books and manuals on this platform demonstrates its commitment to democratizing education and empowering individuals with the tools needed to succeed in their chosen fields. It allows anyone, regardless of their background or financial limitations, to expand their horizons and gain insights from experts in various disciplines. One of the most significant advantages of downloading PDF books and manuals lies in their portability. Unlike physical copies, digital books can be stored and carried on a single device, such as a tablet or smartphone, saving valuable space and weight. This convenience makes it possible for readers to have their entire library at their fingertips, whether they are commuting, traveling, or simply enjoying a lazy afternoon at home. Additionally, digital files are easily searchable, enabling readers to locate specific information within seconds. With a few keystrokes, users can search for keywords, topics, or phrases, making

Liebherr A316 Litronic Hydraulic Excavator Operation Maintenance Manual

research and finding relevant information a breeze. This efficiency saves time and effort, streamlining the learning process and allowing individuals to focus on extracting the information they need. Furthermore, the availability of free PDF books and manuals fosters a culture of continuous learning. By removing financial barriers, more people can access educational resources and pursue lifelong learning, contributing to personal growth and professional development. This democratization of knowledge promotes intellectual curiosity and empowers individuals to become lifelong learners, promoting progress and innovation in various fields. It is worth noting that while accessing free Liebherr A316 Litronic Hydraulic Excavator Operation Maintenance Manual PDF books and manuals is convenient and cost-effective, it is vital to respect copyright laws and intellectual property rights. Platforms offering free downloads often operate within legal boundaries, ensuring that the materials they provide are either in the public domain or authorized for distribution. By adhering to copyright laws, users can enjoy the benefits of free access to knowledge while supporting the authors and publishers who make these resources available. In conclusion, the availability of Liebherr A316 Litronic Hydraulic Excavator Operation Maintenance Manual free PDF books and manuals for download has revolutionized the way we access and consume knowledge. With just a few clicks, individuals can explore a vast collection of resources across different disciplines, all free of charge. This accessibility empowers individuals to become lifelong learners, contributing to personal growth, professional development, and the advancement of society as a whole. So why not unlock a world of knowledge today? Start exploring the vast sea of free PDF books and manuals waiting to be discovered right at your fingertips.

FAQs About Liebherr A316 Litronic Hydraulic Excavator Operation Maintenance Manual Books

1. Where can I buy Liebherr A316 Litronic Hydraulic Excavator Operation Maintenance Manual books? Bookstores: Physical bookstores like Barnes & Noble, Waterstones, and independent local stores. Online Retailers: Amazon, Book Depository, and various online bookstores offer a wide range of books in physical and digital formats.
2. What are the different book formats available? Hardcover: Sturdy and durable, usually more expensive. Paperback: Cheaper, lighter, and more portable than hardcovers. E-books: Digital books available for e-readers like Kindle or software like Apple Books, Kindle, and Google Play Books.
3. How do I choose a Liebherr A316 Litronic Hydraulic Excavator Operation Maintenance Manual book to read? Genres: Consider the genre you enjoy (fiction, non-fiction, mystery, sci-fi, etc.). Recommendations: Ask friends, join book clubs, or explore online reviews and recommendations. Author: If you like a particular author, you might enjoy more of their work.

Liebherr A316 Litronic Hydraulic Excavator Operation Maintenance Manual

4. How do I take care of Liebherr A316 Litronic Hydraulic Excavator Operation Maintenance Manual books? Storage: Keep them away from direct sunlight and in a dry environment. Handling: Avoid folding pages, use bookmarks, and handle them with clean hands. Cleaning: Gently dust the covers and pages occasionally.
5. Can I borrow books without buying them? Public Libraries: Local libraries offer a wide range of books for borrowing. Book Swaps: Community book exchanges or online platforms where people exchange books.
6. How can I track my reading progress or manage my book collection? Book Tracking Apps: Goodreads, LibraryThing, and Book Catalogue are popular apps for tracking your reading progress and managing book collections. Spreadsheets: You can create your own spreadsheet to track books read, ratings, and other details.
7. What are Liebherr A316 Litronic Hydraulic Excavator Operation Maintenance Manual audiobooks, and where can I find them? Audiobooks: Audio recordings of books, perfect for listening while commuting or multitasking. Platforms: Audible, LibriVox, and Google Play Books offer a wide selection of audiobooks.
8. How do I support authors or the book industry? Buy Books: Purchase books from authors or independent bookstores. Reviews: Leave reviews on platforms like Goodreads or Amazon. Promotion: Share your favorite books on social media or recommend them to friends.
9. Are there book clubs or reading communities I can join? Local Clubs: Check for local book clubs in libraries or community centers. Online Communities: Platforms like Goodreads have virtual book clubs and discussion groups.
10. Can I read Liebherr A316 Litronic Hydraulic Excavator Operation Maintenance Manual books for free? Public Domain Books: Many classic books are available for free as they're in the public domain. Free E-books: Some websites offer free e-books legally, like Project Gutenberg or Open Library.

Find Liebherr A316 Litronic Hydraulic Excavator Operation Maintenance Manual :

[itek 975 pfa manual](#)

it essentials labs and study guide answers

[isuzu truck manual fr](#)

it auditing using controls to protect information assets 2nd edition

iveco truck repair manual

[ite series 5600 motor control center manual](#)

[itt electrical engineering capstone final exam](#)

[isuzu wiring diagram truck ftr](#)

[isuzu kb 320 workshop manual](#)

isuzu rodeo sport ua 2002 workshop service repair manual

[isuzu trooper 88 repair manual](#)

[iti entrance paper apps](#)

[it ess 2014 v5 final exams](#)

[isuzu manual transmission diagram](#)

[itil foundation exam questions](#)

Liebherr A316 Litronic Hydraulic Excavator Operation Maintenance Manual :

[monitor these 6 corporate giving trends for maximum impact](#) - Jun 28 2022

web aug 30 2023 relevant corporate giving trends for nonprofits to track corporate giving is a prevalent strategy and it only continues to grow data discussed in classys recent webinar six ways to strengthen your corporate partnerships indicates that 2021 saw over 21 billion in donations from companies to nonprofits a 24 increase over the

6 tips to find corporate partners for your next fundraiser - Jul 30 2022

web feb 28 2022 5 use social media to engage with potential partners social media remains an important driver of traffic connections and donations for nonprofits and charities which also makes it a great channel to find and interact with potential corporate partners additionally a company s social media presence can say a lot about its core values and

corporate partnerships and charities acnc - Apr 26 2022

web corporate partnerships are a viable way for charities to raise extra funds access goods expertise and resources or boost volunteer numbers and support however entering a corporate partnership is a step charities must consider carefully

5 differences between corporate partnerships fundraising - Oct 13 2023

web asking vs offering the third difference is the difference between looking at companies as something to take from rather than an organization you can add to coming with a fundraising ask to keep the office lights on isn t inspiring and it creates an obvious power imbalance within the relationship

5 tips for successful corporate fundraising partnerships iraiser - Mar 06 2023

web corporate engagement 5 tips for successful corporate partnerships in fundraising when it comes to working on corporate engagement programs no matter where you are in the world there is one key element to keep in mind a good corporate fundraising partnership thrives when both parties recognise the commercial reality of working together

chartered institute of fundraising corporate fundraising - Apr 07 2023

web what is corporate fundraising partnership with businesses can bring many benefits they can provide much needed funds

from marketing or community budgets good pr brand awareness expertise and gifts in kind however they do take work to get right and without the correct preparation they can cause problems and conflicts

trends in 2021 corporate partnership and csr candid blog - Dec 03 2022

web jan 25 2021 here are some trends nonprofit corporate partnership executives may want to consider in 2021 1 it isn't just about the fundraising team anymore marketing is all in for years i have been proclaiming that corporate partnerships if done right are just as much about marketing value as they are about fundraising

corporate fundraising and partnerships goodreads - Aug 31 2022

web corporate fundraising and partnerships offers wisdom and advice on the full spectrum of the subject from a helpful history to the latest trends and techniques more crucially it will set you right for your future fundraising path by making you better prepared and more confident with a greater prospect of achieving fantastic corporate charity partnerships

nonprofit corporate partnerships why they're important and - May 08 2023

web from a nonprofit's perspective here are some of the key benefits of establishing corporate partnerships you engage bright minds by bringing together key movers and shakers from businesses across the community these leaders thinkers and doers can analyze research plan and implement using their knowledge and experience

what is corporate fundraising ask at fundsforngos - May 28 2022

web corporate fundraising is the term used for gaining funding through commercial partnerships this could be through a grant sponsorship brand endorsement or employee fundraising

corporate fundraising and partnerships directory of social - Aug 11 2023

web corporate fundraising and partnerships this book offers all the advice you need to help your charity create successful and long lasting partnerships with corporates buy now by valerie morton isbn print 9781784820282 isbn e versions

9781784820299 published november 2017 edition fifth pages 256 binding paperback

how nonprofits can build corporate partnerships for fundraising - Sep 12 2023

web mar 15 2022 1 solidify what corporate engagement opportunities you can offer assess what opportunities you can provide to corporate partners and their employees to see your mission in action determine how these touchpoints can support filling any gaps or emerging needs of your organization what sponsorship opportunities are available at your

strengthen your nonprofit corporate giving programs classy - Nov 02 2022

web jul 25 2023 6 ways to strengthen nonprofit partnerships 1 event sponsorships bring corporate partners in to provide financial support for a larger scale event such as a fundraiser gala or endurance event a sponsored event is a great avenue to bring your aligned vision to life intimately and authentically

developing effective corporate partnerships pwc - Jun 09 2023

web most of the publicly available data on corporate partnerships and support are on financial support because it is more easily measured than non financial or mission related support over the last decade corporate sector funding of nfps has increased dramatically to 17 6bn in 2016 figure one financial support has continued to

14 fundraising through commercial partnerships bdb pitmans - Oct 01 2022

web sep 29 2020 14 fundraising through commercial partnerships some practical tips fundraisers have for a number of organisations returned to the streets and charities have found innovative ways to engage with donors in recent months however there is no doubt that times remain tough and that local lockdowns social restrictions and the collective

corporate partnerships everywhere conference 2022 - Mar 26 2022

web the pandemic climate change and discrimination are at the top of a long list of significant problems these problems are too big for any organization to solve on their own however purpose driven partnerships between companies and charities offer us hope and solutions so we need corporate fundraisers to step up and build those partnerships

attracting a corporate partner adaptability caf - Jan 04 2023

web here are my top tips to help your charity become more competitive in attracting corporate partners take a partnership approach one of the most fundamental differences between corporate fundraising and charities most common sources of funding grants from trusts and foundations is the relationship style

sofi five steps to creating corporate partnerships - Feb 05 2023

web apr 8 2013 build rapport emphasise the fit between your two organisations find out their objectives agree to have a follow up meeting so the first place to start is by telling them a powerful and emotional story about how your charity changes lives when engaging corporate prospects you want to follow the nspcc approach to fundraising which is

corporate partnerships benefact group - Feb 22 2022

web a fundraising plan is a must to enable your organisation to have the confidence that it can generate income and run the services it provides the fundraising sources support from individuals corporates and grant making bodies are just three key areas to source income for your charity going digital

the benefits of establishing corporate fundraising partnerships - Jul 10 2023

web apr 11 2023 a corporate fundraising partnership is a mutually beneficial relationship between a nonprofit organization and a business the nonprofit organization typically provides a service or product that the business desires while the business provides resources such as funding staff and promotional support to the nonprofit organization

bernard von brentano der beginn der barbarei in deutschland - May 03 2023

web aug 30 2019 1930 reist der junge journalist bernard von brentano durch die weimarer republik er besucht bergleute in alsdorf bauern in oldenburg textilarbeiterinnen und

der beginn der barbarei in deutschland foreign affairs - Jan 31 2023

web der beginn der barbarei in deutschland von brentano bernard von bei abebooks de isbn 10 3847906704 isbn 13 9783847906704 eichborn verlag 2019 hardcover

der beginn der barbarei in deutschland abebooks - Dec 30 2022

web sep 26 2019 mit seinen essays Über den ernst des lebens 1929 und der beginn der barbarei in deutschland 1932 brachte er die nazis gegen sich auf 1933 emigrierte er

der beginn der barbarei in deutschland worldcat org - Oct 28 2022

web der beginn der barbarei in deutschland by bernard von brentano goodreads jump to ratings and reviews want to read buy on amazon rate this book der beginn der

zentralrat zeigt sich erschüttert über judenhass in deutschland - Oct 16 2021

web 1 day ago der oktober 2023 geht in die geschichtsbücher ein noch nie seit messbeginn war es im oktober auf der erde so warm wie in diesem jahr 2023 sei mit abstand der

details zu der beginn der barbarei in deutschland - May 23 2022

web title der beginn der barbarei in deutschland publisher berlin rowohlt 1932 binding hardcover edition 1st edition

der beginn der barbarei in deutschland abebooks - Apr 21 2022

web erstausgabe w g 147 7 mit dem 1932 erschienenen prophetischen buch der beginn der barbarei in deutschland zog sich brentano den hass der nationalsozialisten zu

der beginn der barbarei in deutschland deutsche digitale - Jul 05 2023

web derbeginnderbarbarei indeutschland 1932 rowohlt berlin inhalt nachkriegskapitalismus 1 als vorwort diebedrohungdesprivateigentums das

der beginn der barbarei in deutschland buch stapp - Apr 02 2023

web der beginn der barbarei in deutschland inproceedings mueller1932derbd title der beginn der barbarei in deutschland author gustav mueller and bernard von

der beginn der barbarei in deutschland open library - Jul 25 2022

web sep 1 2019 der beginn der barbarei in deutschland brentano bernard von on amazon com free shipping on qualifying offers der beginn der barbarei in

bernard von brentano der beginn der barbarei in - Aug 06 2023

web für den einstieg für forschung und vermittlung für schulen für familienforschung

der oktober 2023 geht in die geschichtsbücher ein web de - Sep 14 2021

der beginn der barbarei in deutschland semantic scholar - Mar 01 2023

web the political and social situation as viewed by one who is anxiously waiting for the social revolution

der beginn der barbarei in deutschland brentano bernard von - Feb 17 2022

web 1930 reist der junge journalist bernard von brentano durch die weimarer republik er arbeitet an einer reportage über die wirtschaftskrise und ihre auswirkungen auf die

der beginn der barbarei in deutschland von bernard von - Nov 28 2022

web der beginn der barbarei in deutschland author print book 1932 edition publisher berlin 1932 genre physical description 8829127 subjects 1918 1945 authors

brentano der beginn der barbarei in deutschland beck shop de - Sep 07 2023

web der beginn der barbarei in deutschland sachbuch buch hardcover 2019 320 s eichborn isbn 978 3 8479 0670 4 format b x l 12 6 x 20 5 cm gewicht 405 g

der beginn der barbarei in deutschland gebundene ausgabe - Oct 08 2023

web mit seinen essays Über den ernst des lebens 1929 und der beginn der barbarei in deutschland 1932 brachte er die nazis gegen sich auf 1933 emigrierte er in die schweiz wo er für die neue zürcher zeitung und die weltwoche schrieb von 1949 bis zu seinem

der beginn der barbarei in deutschland amazon de bücher - Aug 26 2022

web der beginn der barbarei in deutschland by brentano bernard von 1932 rowohlt edition in german deutsch

der beginn der barbarei in deutschland goodreads - Sep 26 2022

web der beginn der barbarei in deutschland isbn kostenloser versand für alle bücher mit versand und verkauf duch amazon

06 28 scholz spricht zur pogromnacht 1938 n tv de - Dec 18 2021

web morgan machte für jeden der abschnitte genaue angaben hinsichtlich der produktionsmittel der technik des heiratsverhaltens der clanstruktur die irokesen

der beginn der barbarei in deutschland medien info com - Jan 19 2022

web nov 9 2023 die usa haben seit beginn des krieges einen großteil der für die ukraine bereitgestellten mittel ausgegeben das sagt der sprecher des weißen hauses john

der beginn der barbarei in deutschland hardcover amazon com - Jun 23 2022

web der beginn der barbarei in deutschland bernard von brentano von brentano bernard von autor materialtyp text sprache deutsch veröffentlichungsangaben köln eichborn

der beginn der barbarei in deutschland brentano bernard von - Mar 21 2022

web aug 30 2019 isbn 9783847906704 portofrei bestellen bei bücher lüthy der beginn der barbarei in deutschland buch

gebunden von brentano bernard von eichborn

der beginn der barbarei in deutschland - Jun 04 2023

web jan 1 2022 download citation bernard von brentano der beginn der barbarei in deutschland neuausgabe hrsg mit einföhrung v roman köster

barbarei und zivilisation europa und die staatenlosen - Nov 16 2021

web 14 hours ago anti israel demos wecken mit blick auf die pogromnacht laut zentralratspräsident josef schuster tief verwurzelte Ängste er fordert eine antwort des

safety data sheet rust oleum - Aug 01 2022

web product name trmcl 2x3 78lt red oxide primer revision date 12 13 2022 product identifier 274102155 supercedes date 1 5 2022 recommended use primer alkyd supplier rust oleum canada roca 200 confederation parkway concord on l4k 4t8 canada manufacturer rust oleum canada roca 200 confederation parkway

msds red oxide primer environments com au - Dec 05 2022

web health hazard information health effects acute exposure no adverse health effects expected if the product is handled in accordance with this safety data sheet and the product label principal routes of exposure are usually by inhalation of vapour and skin contact absorption

taubmans prep right red oxide primer net framework - Apr 28 2022

web prep right red oxide primer 1 identification of the material and supplier product name taubmans prep right red oxide primer product use for iron bars and steel details of the supplier of this safety sheet akzonobel png ltd vakari street tarumana ave gerehu stage 6 po box 1264 boroko ncd png emergency tel 675

apm s202 kb 2 red oxide primer asia paint singapore - Aug 13 2023

web product identifier relevant identified uses of the substance or mixture and uses advised against relevant identified uses air drying type alkyd resin based lead free primer enhanced with red oxide as rust inhibitor for the protection of interior or exterior ferrous surfaces details of the supplier of the safety data sheet

red oxide primer safety data sheet net framework - Jul 12 2023

web red primer 380ml section 1 identification of the substance mixture and of the company undertaking 1 1 product identifier product name red primer 380ml product no kg0021 1 2 relevant identified uses of the substance or mixture and uses advised against 1 3 details of the supplier of the safety data sheet

nippon metal primer red oxide nippon paint singapore - Jun 30 2022

web clean dry and stable prior to painting non ferrous metal should be primed with nippon vinilex 120 active primer spray application air delivery pressure kg cm² 3 4 tip size 60o angle 1 3mm dilution 10 20 tds0064 established 22

national red oxide primer national paints factories - Feb 24 2022

web rev 07 18 page 3 3 w w w n a t i o n a l p a i n t s c o m national red oxide primer decorative coatings technical data sheet additional data shelf life 30°C 18 months in original sealed

safety data sheet nippon paint - Mar 08 2023

web product name hi pon 20 03 epoxy red oxide primer intended use solvent based protective paint manufacturer nippon paint s co pte ltd no 1 first lok yang road jurong singapore 629728 emergency phone number 65 6 265 5355 fax numbers 65 6 264 1603 2 hazards identification ghs classification physical hazard

red oxide primer - Jun 11 2023

web nov 5 2021 identification of the substance and manufacturer trade name red oxide primer product code bd1201 recommended use paint and coatings application uses advised against any that differs from the recommended use

material safety data sheet q d red oxide primer - Oct 03 2022

web 2 composition hazardous components 3 hazards identification quick drying red oxide primer styrenated alkyd aliphatic hydrocarbons 1268 128 2x 60 hydrocarbon solvents styrenated alkyd synthetic iron oxide medical conditions aggravated by exposure dermatitis existing respiratory disease and existing liver and

national paints oxide primer red 18l amazon ae - Mar 28 2022

web fashion brands buy national paints oxide primer red 18l online on amazon ae at best prices fast and free shipping free returns cash on delivery available on eligible purchase

national red oxide air drying stoving primer - May 10 2023

web description an air drying stoving anti corrosive primer based on special alkyd resin and pigmented with iron oxide red pigments it gives excellent adhesion to metal after air drying stoving the painted film the dried film gives tough and flexible coating recommended uses anti corrosive primer for steel surfaces

safety data sheet msc industrial direct - Apr 09 2023

web sep 9 2020 red oxide primer not available aerosol us canada 216 566 2917 mexico chemtrec mexico 01 800 681 9531 available 24 hours and 365 days per year safety data sheet product name other means of identification product type emergency telephone number of the company section 1 identification manufacturer

nippon paint red oxide primer updated aug - Nov 04 2022

web nippon paint micaceous iron oxide nippon paint micaceous iron oxide nippon paint red oxide primer nippon paint aluminium paint nippon paint aluminium paint 1 coat 1 coat 1 coat 1 coat 1 coat 1 coat surface preparation the surface to be painted shall be power tool cleaned to minimum sspc sp3 or st 3 iso 8501 1 2007 free

safety data sheet nippon paint singapore - Sep 14 2023

web sds number sds 70020 safety data sheet version no 003 revision date version no 09 03 2017 3 2 1 1 identification of the substance mixture and of the company undertaking 2 hazards identification ghs classification physical hazard flammable hazard category 3 health hazard

national red oxide primer - Oct 15 2023

web technical data sheet national red oxide primer product description general purpose alkyd based primer loaded with non toxic and anticorrosive pigments for the protection of steel surfaces against moderate corrosive environments the product offers good leveling and coverage with excellent adhesion on power tool prepared

safety data sheet 324 f158 red oxide metal primer - Feb 07 2023

web 1 1 product identifier product name 324 f158 red oxide metal primer product number 324 f158 65 ufi ufi vv4p 42at e00u 8da6 1 2 relevant identified uses of the substance or mixture and uses advised against identified uses paint uses advised against no specific uses advised against are identified 1 3

safety data sheet akzonobel - May 30 2022

web sep 29 2020 ghs product identifier interseal 1052 red oxide part a section 1 identification relevant identified uses of the substance or mixture and uses advised against emergency telephone number with hours of operation safety data sheet interseal 1052 red oxide part a supplier s details international paint pty ltd 1 paints place

national red oxide primer aec online - Jan 06 2023

web recommended system national red oxide primer 1 coat national synthetic undercoat 1 coat national synthetic enamel gloss i or gloss ii 1 2 coats brush roller or spray 5 15 depending on the method of application national g p thinner pressure tip size 2200 psi 0 015 0 020

conforms to regulation ec no 1907 2006 reach annex ii - Sep 02 2022

web safety data sheet red oxide primer section 1 identification of the substance mixture and of the company undertaking 1 1 product identifier ghs product identifier red oxide primer 1 2 relevant identified uses of the substance or mixture and uses advised against product use product for surface preparation of buildings