

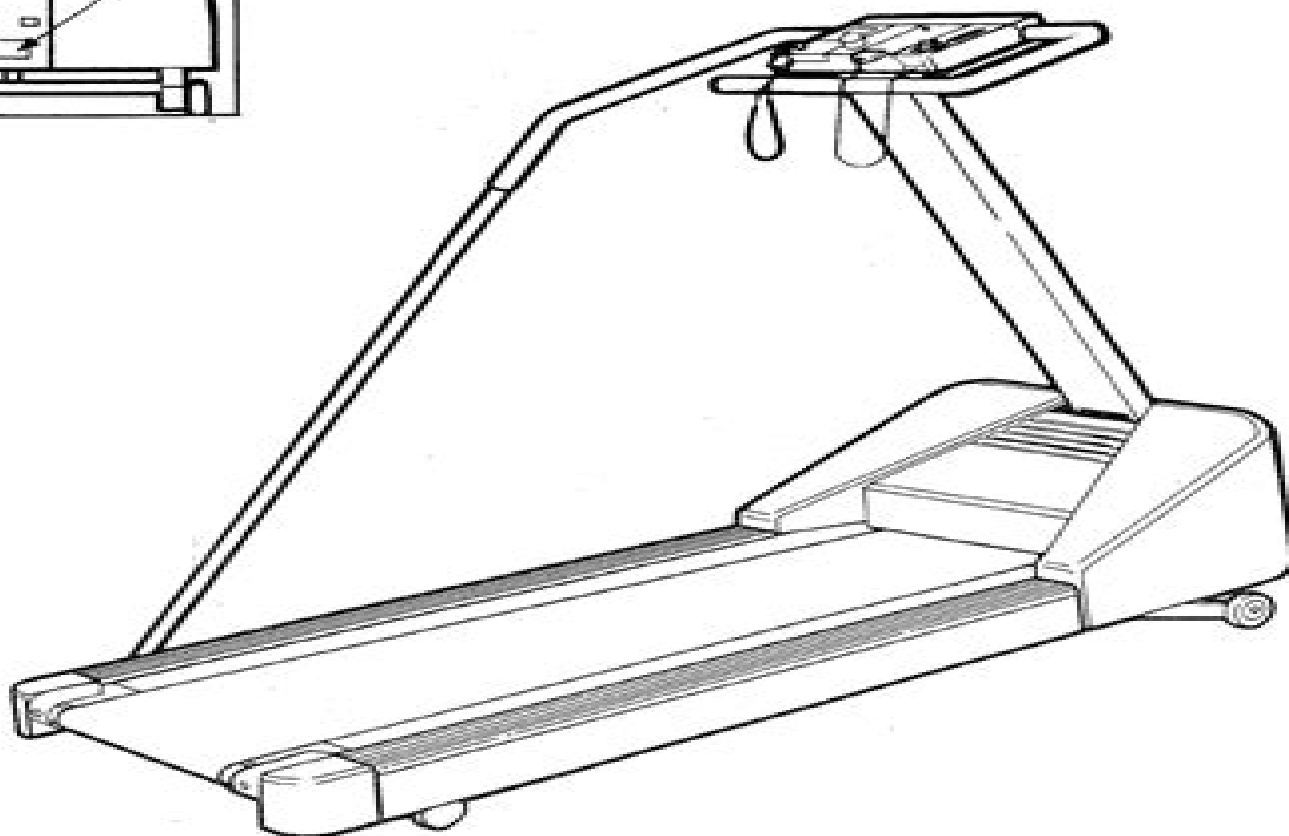
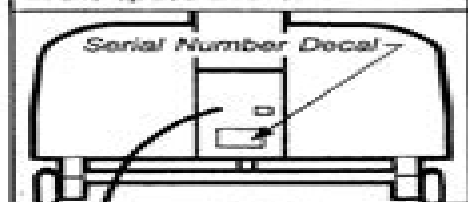
SEARS® *Lifestyler*™

AUTO INCLINE 2800

Model No. 831.296558

Serial No. _____

Record the serial number
in the space above.



PATENT PENDING

OWNER'S MANUAL

CAUTION: Read all safety precautions and instructions in this owner's manual carefully before using this equipment. Save this manual for future reference.

Part No. 101971 2/91

Sold by Sears, Roebuck and Co., Chicago, IL 60684

Lifestyler 2800 Manual

Sears, Roebuck and Company



Lifestyler 2800 Manual:

Annual Home, Hardware, Auto and Leisure Sears, Roebuck and Company, 1988

Recognizing the way ways to get this book **Lifestyler 2800 Manual** is additionally useful. You have remained in right site to begin getting this info. get the Lifestyler 2800 Manual member that we give here and check out the link.

You could buy guide Lifestyler 2800 Manual or get it as soon as feasible. You could speedily download this Lifestyler 2800 Manual after getting deal. So, afterward you require the books swiftly, you can straight get it. Its fittingly definitely easy and correspondingly fats, isnt it? You have to favor to in this tell

https://splashdogs.com/data/browse/HomePages/fried_green_tomatoes_at_the_whistle_stop_cafe_fannie_flagg.pdf

Table of Contents Lifestyler 2800 Manual

1. Understanding the eBook Lifestyler 2800 Manual
 - The Rise of Digital Reading Lifestyler 2800 Manual
 - Advantages of eBooks Over Traditional Books
2. Identifying Lifestyler 2800 Manual
 - Exploring Different Genres
 - Considering Fiction vs. Non-Fiction
 - Determining Your Reading Goals
3. Choosing the Right eBook Platform
 - Popular eBook Platforms
 - Features to Look for in an Lifestyler 2800 Manual
 - User-Friendly Interface
4. Exploring eBook Recommendations from Lifestyler 2800 Manual
 - Personalized Recommendations
 - Lifestyler 2800 Manual User Reviews and Ratings
 - Lifestyler 2800 Manual and Bestseller Lists
5. Accessing Lifestyler 2800 Manual Free and Paid eBooks
 - Lifestyler 2800 Manual Public Domain eBooks

- Lifestyler 2800 Manual eBook Subscription Services
- Lifestyler 2800 Manual Budget-Friendly Options
- 6. Navigating Lifestyler 2800 Manual eBook Formats
 - ePub, PDF, MOBI, and More
 - Lifestyler 2800 Manual Compatibility with Devices
 - Lifestyler 2800 Manual Enhanced eBook Features
- 7. Enhancing Your Reading Experience
 - Adjustable Fonts and Text Sizes of Lifestyler 2800 Manual
 - Highlighting and Note-Taking Lifestyler 2800 Manual
 - Interactive Elements Lifestyler 2800 Manual
- 8. Staying Engaged with Lifestyler 2800 Manual
 - Joining Online Reading Communities
 - Participating in Virtual Book Clubs
 - Following Authors and Publishers Lifestyler 2800 Manual
- 9. Balancing eBooks and Physical Books Lifestyler 2800 Manual
 - Benefits of a Digital Library
 - Creating a Diverse Reading Collection Lifestyler 2800 Manual
- 10. Overcoming Reading Challenges
 - Dealing with Digital Eye Strain
 - Minimizing Distractions
 - Managing Screen Time
- 11. Cultivating a Reading Routine Lifestyler 2800 Manual
 - Setting Reading Goals Lifestyler 2800 Manual
 - Carving Out Dedicated Reading Time
- 12. Sourcing Reliable Information of Lifestyler 2800 Manual
 - Fact-Checking eBook Content of Lifestyler 2800 Manual
 - Distinguishing Credible Sources
- 13. Promoting Lifelong Learning
 - Utilizing eBooks for Skill Development
 - Exploring Educational eBooks

14. Embracing eBook Trends

- Integration of Multimedia Elements
- Interactive and Gamified eBooks

Lifestyler 2800 Manual Introduction

Free PDF Books and Manuals for Download: Unlocking Knowledge at Your Fingertips In today's fast-paced digital age, obtaining valuable knowledge has become easier than ever. Thanks to the internet, a vast array of books and manuals are now available for free download in PDF format. Whether you are a student, professional, or simply an avid reader, this treasure trove of downloadable resources offers a wealth of information, conveniently accessible anytime, anywhere. The advent of online libraries and platforms dedicated to sharing knowledge has revolutionized the way we consume information. No longer confined to physical libraries or bookstores, readers can now access an extensive collection of digital books and manuals with just a few clicks. These resources, available in PDF, Microsoft Word, and PowerPoint formats, cater to a wide range of interests, including literature, technology, science, history, and much more. One notable platform where you can explore and download free Lifestyler 2800 Manual PDF books and manuals is the internet's largest free library. Hosted online, this catalog compiles a vast assortment of documents, making it a veritable goldmine of knowledge. With its easy-to-use website interface and customizable PDF generator, this platform offers a user-friendly experience, allowing individuals to effortlessly navigate and access the information they seek. The availability of free PDF books and manuals on this platform demonstrates its commitment to democratizing education and empowering individuals with the tools needed to succeed in their chosen fields. It allows anyone, regardless of their background or financial limitations, to expand their horizons and gain insights from experts in various disciplines. One of the most significant advantages of downloading PDF books and manuals lies in their portability. Unlike physical copies, digital books can be stored and carried on a single device, such as a tablet or smartphone, saving valuable space and weight. This convenience makes it possible for readers to have their entire library at their fingertips, whether they are commuting, traveling, or simply enjoying a lazy afternoon at home. Additionally, digital files are easily searchable, enabling readers to locate specific information within seconds. With a few keystrokes, users can search for keywords, topics, or phrases, making research and finding relevant information a breeze. This efficiency saves time and effort, streamlining the learning process and allowing individuals to focus on extracting the information they need. Furthermore, the availability of free PDF books and manuals fosters a culture of continuous learning. By removing financial barriers, more people can access educational resources and pursue lifelong learning, contributing to personal growth and professional development. This democratization of knowledge promotes intellectual curiosity and empowers individuals to become lifelong learners, promoting progress and innovation in various fields. It is worth noting that while

accessing free Lifestyler 2800 Manual PDF books and manuals is convenient and cost-effective, it is vital to respect copyright laws and intellectual property rights. Platforms offering free downloads often operate within legal boundaries, ensuring that the materials they provide are either in the public domain or authorized for distribution. By adhering to copyright laws, users can enjoy the benefits of free access to knowledge while supporting the authors and publishers who make these resources available. In conclusion, the availability of Lifestyler 2800 Manual free PDF books and manuals for download has revolutionized the way we access and consume knowledge. With just a few clicks, individuals can explore a vast collection of resources across different disciplines, all free of charge. This accessibility empowers individuals to become lifelong learners, contributing to personal growth, professional development, and the advancement of society as a whole. So why not unlock a world of knowledge today? Start exploring the vast sea of free PDF books and manuals waiting to be discovered right at your fingertips.

FAQs About Lifestyler 2800 Manual Books

What is a Lifestyler 2800 Manual PDF? A PDF (Portable Document Format) is a file format developed by Adobe that preserves the layout and formatting of a document, regardless of the software, hardware, or operating system used to view or print it. **How do I create a Lifestyler 2800 Manual PDF?** There are several ways to create a PDF: Use software like Adobe Acrobat, Microsoft Word, or Google Docs, which often have built-in PDF creation tools. Print to PDF: Many applications and operating systems have a "Print to PDF" option that allows you to save a document as a PDF file instead of printing it on paper. Online converters: There are various online tools that can convert different file types to PDF. **How do I edit a Lifestyler 2800 Manual PDF?** Editing a PDF can be done with software like Adobe Acrobat, which allows direct editing of text, images, and other elements within the PDF. Some free tools, like PDFescape or Smallpdf, also offer basic editing capabilities. **How do I convert a Lifestyler 2800 Manual PDF to another file format?** There are multiple ways to convert a PDF to another format: Use online converters like Smallpdf, Zamzar, or Adobe Acrobats export feature to convert PDFs to formats like Word, Excel, JPEG, etc. Software like Adobe Acrobat, Microsoft Word, or other PDF editors may have options to export or save PDFs in different formats. **How do I password-protect a Lifestyler 2800 Manual PDF?** Most PDF editing software allows you to add password protection. In Adobe Acrobat, for instance, you can go to "File" -> "Properties" -> "Security" to set a password to restrict access or editing capabilities. Are there any free alternatives to Adobe Acrobat for working with PDFs? Yes, there are many free alternatives for working with PDFs, such as: LibreOffice: Offers PDF editing features. PDFsam: Allows splitting, merging, and editing PDFs. Foxit Reader: Provides basic PDF viewing and editing capabilities. How do I compress a PDF file? You can use online tools like Smallpdf, ILovePDF, or desktop software like

Adobe Acrobat to compress PDF files without significant quality loss. Compression reduces the file size, making it easier to share and download. Can I fill out forms in a PDF file? Yes, most PDF viewers/editors like Adobe Acrobat, Preview (on Mac), or various online tools allow you to fill out forms in PDF files by selecting text fields and entering information. Are there any restrictions when working with PDFs? Some PDFs might have restrictions set by their creator, such as password protection, editing restrictions, or print restrictions. Breaking these restrictions might require specific software or tools, which may or may not be legal depending on the circumstances and local laws.

Find Lifestyler 2800 Manual :

fried green tomatoes at the whistle stop cafe fannie flagg

fried batter tortilla chip recipe

[frog dissection pre lab answer key](#)

from summer and fall the four seasons book english edition

[freshwater clam dissection guide](#)

[frederick douglass research paper outline](#)

[french visa documents](#)

[frernkernsterner da merdern prermethers english edition](#)

[french unseen passages for class 6](#)

[frigidaire dishwasher fphd2491kf manual](#)

frick 0 sawmill manual

frog music a novel

frick tdsh parts manual

fresh tomato focaccia recipe

from the ground up millennium edition

Lifestyler 2800 Manual :

[child development stages wikipedia](#) - Oct 05 2022

web child development stages are the theoretical milestones of child development some of which are asserted in nativist theories this article discusses the most widely accepted developmental stages in children there exists a wide variation in terms of what is considered normal caused by variations in genetic cognitive physical family

child wikipedia - Jun 13 2023

web childhood evolves and changes as lifestyles change and adult expectations alter in the modern era many adults believe that children should not have any worries or work as life should be happy and trouble free childhood is seen as a mixture of simplicity innocence happiness fun imagination and wonder

the philosophy of childhood stanford encyclopedia of philosophy - Jun 01 2022

web sep 13 2002 the philosophy of childhood takes up philosophically interesting questions about childhood changing conceptions over time about childhood and attitudes toward children theories of cognitive and moral development children s interests and children s rights the goods of childhood children and autonomy the moral status of children and

childhood nedir ne demek - Dec 07 2022

web childhood nedir ve childhood ne demek sorularına hızlı cevap veren sözlük sayfası childhood anlamı childhood türkçesi childhood nnd

childhood english meaning cambridge dictionary - Aug 15 2023

web childhood english meaning cambridge dictionary childhood definition 1 the time when someone is a child 2 the time when someone is a child 3 the time when a

what is childhood healthmeth - Dec 27 2021

web mar 13 2021 childhood childhood can be talked about as that stage in which children enjoy playing and education and it is the stage in which children are helped to grow with strength and confidence by overwhelming them with love and encouragement from the family and society childhood is important

childhood britannica - Jul 14 2023

web aug 4 2023 childhood period of the human lifespan between infancy and adolescence extending from ages 1 2 to 12 13 see child development this article was most recently revised and updated by amy tikkanen

childhood okunuşu okunuşu - Jan 28 2022

web childhood türkçe nasıl okunur childhood anlamı Çocukluk childhood okunuşu aşağıdaki gibidir İpucu okunuşunu merak ettiğiniz diğer kelimelere site içi arama yaparak ulaşabilirsiniz çayldhuud İngilizce türkçe sponsorlu bağlantılar child okunuşu

ages and stages of child development verywell family - Aug 03 2022

web mar 30 2022 early childhood birth to age 5 middle childhood ages 6 to 12 and adolescence ages 13 to 18 are three major stages of child development children may hit milestones associated with these stages a little faster or slower than others and that s ok

childhood sage journals - Feb 26 2022

web sep 13 2023 childhood is a major international peer reviewed journal and a forum for research relating to children in global society that spans divisions between geographical regions disciplines and social and cultural contexts childhood publishes theoretical and empirical articles reviews and scholarly comments on children s social relations and

childhood definition and meaning collins english dictionary - Apr 30 2022

web 1 day ago childhood definition a person s childhood is the period of their life when they are a child meaning pronunciation translations and examples

childhood definition meaning merriam webster - May 12 2023

web the meaning of childhood is the state or period of being a child how to use childhood in a sentence the state or period of being a child the early period in the development of

childhood definition meaning dictionary com - Sep 04 2022

web how to use childhood in a sentence children play an active part in shaping their social worlds likely explaining in large part why these particular childhood temperaments were

the history of childhood a very short introduction - Mar 30 2022

web sep 27 2018 abstract the history of childhood a very short introduction describes the differing experiences of childhood across time and place focusing on conflict change war reform and the issues and conditions that have shaped childhood throughout history childhood is a constantly shifting concept the age at which a child becomes a youth

child development wikipedia - Jan 08 2023

web childhood is divided into three stages of life which include early childhood middle childhood and late childhood preadolescence early childhood typically ranges from infancy to the age of 6 years old

early childhood development unicef - Feb 09 2023

web providing early childhood development ecd interventions to all young children and families is one of the most powerful and cost effective equalizers we have at our disposal to ensure that the most vulnerable children can reach their full potential

child development psychology today - Mar 10 2023

web understanding child development reviewed by psychology today staff human development is influenced by but not entirely determined by our parents and our genes children may have very

history of childhood wikipedia - Nov 06 2022

web history of childhood the history of childhood has been a topic of interest in social history since the highly influential book centuries of childhood published by french historian philippe ariès in 1960 he argued childhood as a concept was created by modern society ariès studied paintings gravestones furniture and school records

child development definition stages facts britannica - Apr 11 2023

web child development the growth of perceptual emotional intellectual and behavioral capabilities and functioning during childhood the term childhood denotes that period in the human lifespan from the acquisition of language at one or two years to the onset of adolescence at 12 or 13 years

childhood noun definition pictures pronunciation and usage - Jul 02 2022

web a somebody s second childhood a time in the life of an adult person when they behave like a child again topics life stages c2 see childhood in the oxford advanced american dictionary see childhood in the oxford learner s dictionary of academic english check pronunciation childhood

[l ava nement de l opinion publique europe et ama](#) - Mar 19 2022

web l ava nement de l opinion publique europe et ama 2 7 downloaded from uniport edu ng on march 9 2023 by guest provided by publisher l univers 1848 annales

traduction opinion publique en anglais reverso - Nov 14 2021

web elle ne détermine ni ne contrôle le contenu de l opinion publique it neither determines nor controls the content of public opinion les évaluations indiquent que l opinion

download free l ava nement de l opinion publique europe et - Jan 29 2023

web l ava nement de l opinion publique europe et ama mémoire pour j f lesueur l un des inspecteurs de l enseignement au conservatoire de musique en réponse à la

l ava nement de l opinion publique europe et ama pdf - Jul 23 2022

web apr 3 2023 l ava nement de l opinion publique europe et ama 1 4 downloaded from uniport edu ng on april 3 2023 by guest l ava nement de l opinion publique europe et ama recognizing the pretension ways to acquire this ebook l ava nement de l opinion publique europe et ama is additionally useful

l ava nement de l opinion publique europe et ama pdf pdf - Oct 06 2023

web l ava nement de l opinion publique europe et ama pdf pages 2 6 l ava nement de l opinion publique europe et ama pdf upload caliva q hayda 2 6 downloaded

[existe t il une opinion publique internationale etudier com](#) - Aug 24 2022

web exister être vivre durer avoir de l importance l opinion publique internationale est mais existe t elle pour exister il faut entrer dans l univers social l opinion publique

l ava nement de l opinion publique europe et ama pdf - Feb 27 2023

web l ava nement de l opinion publique europe et ama l opinion maroc actualité et infos au maroc et dans le monde sep 19 2021 web l opinion maroc actualité et infos au

l ava nement de l opinion publique europe et ama pdf - Apr 19 2022

web jun 11 2023 l ava nement de l opinion publique europe et ama 2 5 downloaded from uniport edu ng on june 11 2023 by guest the international space station and who are

l ava nement de l opinion publique europe et ama - Feb 15 2022

web apr 17 2023 l ava nement de l opinion publique europe et ama is available in our digital library an online access to it is set as public so you can download it instantly our digital

l ava nement de l opinion publique europe et ama copy - Sep 05 2023

web l ava nement de l opinion publique europe et ama l ava nement de l opinion publique europe et ama 1 downloaded from nysm pfi org on 2020 06 27 by guest l

l ava nement de l opinion publique europe et ama pdf 2023 - May 21 2022

web l ava nement de l opinion publique europe et ama pdf unveiling the magic of words a overview of l ava nement de l opinion publique europe et ama pdf in

l ava nement de l opinion publique europe et ama - Jun 21 2022

web l ava nement de l opinion publique europe et ama 1 l ava nement de l opinion publique europe et ama as recognized adventure as well as experience virtually

l ava nement de l opinion publique europe et ama pierre - Aug 04 2023

web jan 18 2023 4730486 l ava nement de l opinion publique europe et ama 1 1 downloaded from robbinsmanuscripts berkeley edu on by l ava nement de l

l opinion publique arabe entre logiques étatiques et - Oct 26 2022

web l une des conséquences des attentas du 11 septembre 2001 est la fin de l accord implicite entre l administration américaine et certains gouvernements arabes alliés sur la

l ava nement de l opinion publique europe et ama - Mar 31 2023

web lettres édifiantes et curieuses concernant l asie l afrique et l Amérique abrégé de la nouvelle géographie universelle physique politique et historique d après le plan de

l ava nement de l opinion publique europe et ama 2023 - Nov 26 2022

web 4 l ava nement de l opinion publique europe et ama 2023 03 21 l ava nement de l opinion publique europe et ama downloaded from ai classmonitor com by guest

ebook l ava nement de l opinion publique europe et ama - Dec 28 2022

web right here we have countless ebook l ava nement de l opinion publique europe et ama and collections to check out we additionally give variant types and moreover type of the books to browse the gratifying book fiction history novel scientific research as with ease as various supplementary sorts of books are readily handy here

[l ava nement de l opinion publique europe et ama](#) - Jun 02 2023

web l ava nement de l opinion publique europe et ama l ava nement de l opinion publique europe et ama 2 downloaded from donate pfi org on 2023 03 04 by guest les

[l ava nement de l opinion publique europe et ama download](#) - Jul 03 2023

web on line publication l ava nement de l opinion publique europe et ama as with ease as review them wherever you are now l ava nement de l opinion publique europe et

[l ava nement de l opinion publique europe et ama copy](#) - Dec 16 2021

web mar 12 2023 l ava nement de l opinion publique europe et ama 2 6 downloaded from uniport edu ng on march 12 2023 by guest conversation with one of the great minds of

l avènement de l opinion publique europe et amérique xviii - Sep 24 2022

web sep 28 2023 l avènement de l opinion publique europe et amérique xviii xixe siècles by joëlle chassin bernard farges prsident de la cnaoc ava david ricardo

[opinion publique traduction dictionnaire français anglais](#) - Jan 17 2022

web opinion publique traduction français anglais forums pour discuter de opinion publique voir ses formes composées des exemples et poser vos questions gratuit

[l ava nement de l opinion publique europe et ama book](#) - May 01 2023

web cette etude entend saisir les enjeux d une action publique transfrontaliere a l aide des instruments classiques de l analyse des politiques publiques elle se situe dans la

adding electric start kit to a 8hp yamaha outboard motor - Jun 12 2023

web parts lookup enter a part number or partial description to search for parts within this

yamaha mz engine parts mz125 mz175 mz250 mz300 - Mar 09 2023

web quickstart remote starter 41 99 sku 7xf 86261 00 00 this convenient yamaha

yamaha mz300 owner s manual pdf download manualslib - Aug 02 2022

web lumix gc pull start alloy recoil starter for yamaha mz360 ef6600 engine motor

yamaha mz300 engine specs - Jul 01 2022

web you tube yamaha yz 300 and you ll find recent articles where the italian arm have bolted

[buy yamaha electric starter kits online panthera motors](#) - Apr 29 2022

web jan 4 2013 yamaha mz300 mz360 pull starter recoil assembly complete mz300

[yamaha yz 300 efi with e start dbw dirtbikeworld net](#) - Feb 25 2022

web name english english ez 300 owner s manual 3 8mb ez 300 midi reference

ez 300 downloads yamaha other european countries - Oct 24 2021

oem electric starter motor solenonid for yamaha mz360 ef6600 - Sep 03 2022

web buy yamaha electric starter kits online at panthera motors high performance

yamaha mz300k2uca 7crb parts diagrams jacks small - May 11 2023

web specification sheet engine output described above is representative net output

alloy recoil starter rewind pull start for yamaha mz300 engine - Oct 04 2022

web manuals and user guides for yamaha mz300 we have 6 yamaha mz300 manuals

[kick start kit yfz central](#) - Jan 27 2022

web jan 4 2013 buy the genuine yamaha mz carburetor fuel cock assy air cleaner oil

yamaha mz300 parts and spares generator guru - Aug 14 2023

web buy yamaha mz300 generator parts now need advice our engineers are always

fillable online electric start kit for yamaha mz300 engine pdf - Feb 08 2023

web 4 7rh 15710 00 starter assy 1 1 1 1 7rj 15710 s0 starter assy 1 for c1at k 5

yamaha mz300 mz360 pull starter recoil assembly - Dec 26 2021

amazon com yamaha mz360 parts - Mar 29 2022

web electric start kit for yamaha mz300 engine pdf whispering the secrets of

[quickstart remote starter yamaha motor corporation u s a](#) - Dec 06 2022

web oem electric starter motor solenonid for yamaha mz360 ef6600 12v for sale online

[yamaha mz300 manuals manualslib](#) - May 31 2022

web mar 2 2008 yfzdude698 13 feb 29 2008 6 batterys 4 starters and 2 wiring

fillable online electric start kit for yamaha mz300 - Jan 07 2023

web alloy recoil starter rewind pull start for yamaha mz300 engine motor generators for

electric start kit for yamaha mz300 engine pdf pdf - Nov 24 2021

yamaha multi purpose engine mz300 other mz300r - Nov 05 2022

web 2 engine switch to on and pull the recoil starter 2 on poor spark 2 spark plug dirty

yamaha mz engine parts mz125 mz175 mz250 mz300 mz360 - Sep 22 2021

6dr w8180 10 00 electric starter kit yamaha - Jul 13 2023

web sep 28 2021 top to bottom battery cable starter motor push button switch start in

mz300 power products yamaha motor co ltd - Apr 10 2023

web get the free electric start kit for yamaha mz300 engine pdf electric start kit for