

Wiring Introduction

Wiring Position	Wiring Model	Remark
Power Supply- Access Controller	VV1.1	External 12V
Access Controller- Reader	VV1.2	External 12V, 5mA, 5V, 5V, 5V, 5V, 5V
Access Controller- Entry Lock	VV1.3 (Door Magnet Lock)	External 12V
Access Controller- Exit Button	VV1.4	External 12V
Access Controller- W-Door	VV1.5	External 12V
Access Controller- Alarm Output	VV1.6	External 12V
Access Controller- Alarm Input	VV1.7	External 12V
LAN Communication	LAN1	External 10/100M, should first connect to ground
Wired Communication	W1, W2	External 12V

Disclaimer

Our company's products are used in various occasions. It is advised that you should read the manual before installation. All devices are subject to compatibility test. We cannot take any responsibility for any damage caused by incompatible devices. It is advised that you should read the manual before installation. It is advised that you should read the manual before installation. It is advised that you should read the manual before installation.

Connection

IO	Name	Standard	Quantity	Temp
Input	Reader	Wiegand 26	2/4	≤45°C/continuous
Output	Wiegand Line	Switch Signal	2/4	≤45°C/continuous
Input	Door Magnet	Switch Signal	2/4	Support
Output	Sound Light Alarm	Switch Signal	1	Support
Input	M-Door Sensor (Shock Sensor) others	Switch Signal	2/4	Support
Input	Anti-tamper	Switch Signal	2/4	Support
Input	Anti-spoof	Communication	1	Support



Security Platform

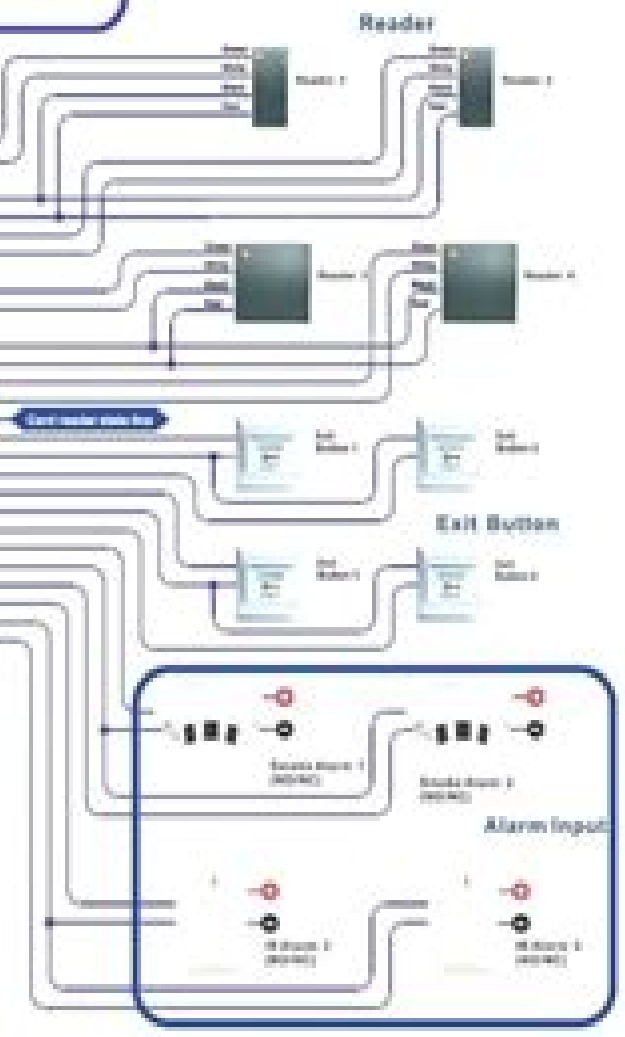
It applies to Windows 2000, Windows XP, Windows Server 2003, Windows Vista, Windows 7, Windows 8.

- Access Control Management System
- Attendance Management System
- Time Management
- Alarm

LED & Button Instruction

LED	RL1	RL2	RL3	RL4	RL5
Fire Alarm	Light 1 (Alarm)	MagNet Alarm 1	MagNet Alarm 2	Alarm Output	
Anti-tamper	Light 7 (Alarm)	Light 8	Light 9	Light 10	Alarm (DOOR)

- Power 12V power LED
- Anti-tamper LED
- Wiegand Reader indicator LED
- Wiegand Line power LED (4 x 1mm)
- Wiegand Line: It is used to set card without software, please refer to the manual.
- Wiegand Line: It is used to set card without software, please refer to the manual.
- Wiegand Line: It is used to set card without software, please refer to the manual.



Wiring Diagram of Access Controller

Lenel Access Control Installation Manual

JR Anderson



Lenel Access Control Installation Manual:

Mergent OTC Industrial Manual ,2003 **Sweet's General Building & Renovation** ,1999 *Security* ,2007

Mergent OTC Unlisted Manual ,2009 InfoWorld ,1994-08-29 InfoWorld is targeted to Senior IT professionals

Content is segmented into Channels and Topic Centers InfoWorld also celebrates people companies and projects **Official**

Gazette of the United States Patent and Trademark Office ,2007 *Building Multimedia Applications with Visual Basic*

4 Michael Regelski,Clayton Walnum,William Brandon,1995 CD ROM contains custom controls and development tools from

level systems and source code and project files from the book **Windows/DOS Developer's Journal** ,1994 *PC*

Magazine ,1986 *Thomas Register of American Manufacturers* ,2002 This basic source for identification of U S

manufacturers is arranged by product in a large multi volume set Includes Products services Company profiles and Catalog

file **Thomas Register of American Manufacturers and Thomas Register Catalog File** ,1997 Vols for 1970 71

includes manufacturers catalogs **Access Control Systems A Complete Guide - 2020 Edition** Gerardus Blokdyk,

Access Control Wiring Handbook Malvin M Clark,2025-08-15 Master the skills to install wire and troubleshoot access

control systems with ease Whether you re starting fresh or already working in security this handbook gives you clear step by

step guidance for low voltage wiring on electronic door locks card readers magnetic locks and keyless entry systems Inside

you will discover How to plan and wire access control systems for homes offices and industrial sites Step by step installation

methods for door locks readers and control panels Low voltage wiring best practices for safety and reliability

Troubleshooting techniques to quickly solve common system issues Power supply wiring and integration tips for multiple

devices Designed for easy reading and fast results this guide helps you avoid costly mistakes and build reliable professional

grade security systems *Electronic Access Control* Thomas L. Norman,2011-09-26 Electronic Access Control introduces

the fundamentals of electronic access control through clear well illustrated explanations Access Control Systems are difficult

to learn and even harder to master due to the different ways in which manufacturers approach the subject and the myriad

complications associated with doors door frames hardware and electrified locks This book consolidates this information

covering a comprehensive yet easy to read list of subjects that every Access Control System Designer Installer Maintenance

Tech or Project Manager needs to know in order to develop quality and profitable Alarm Access Control System installations

Within these pages Thomas L Norman a master at electronic security and risk management consulting and author of the

industry reference manual for the design of Integrated Security Systems describes the full range of EAC devices credentials

readers locks sensors wiring and computers showing how they work and how they are installed A comprehensive

introduction to all aspects of electronic access control Provides information in short bursts with ample illustrations Each

chapter begins with outline of chapter contents and ends with a quiz May be used for self study or as a professional reference

guide **Designing Physical Access Control Systems** Ross Bale,2017-06-15 Mechanical and Electrical Consultants have

limited time to write specifications for new buildings they are expected to specify everything with an electrical current or mechanical function and cannot possibly maintain an in depth knowledge about every building system In this book I m going to show you what an access control system is what each part of a system does and how they work to give you enough knowledge to write a performance specification for an access control system This book is based on my eight years working for a manufacturer of electronic access control systems with the last four years working exclusively in supporting Consultants I m writing this book to share my knowledge and increase the quality and performance of security specifications What you will learn The purpose and anatomy of an access control system Which card or biometric technology you should use System Architecture Design On Premise Cloud or Hybrid How to develop and specify an authorisation model Advanced concepts such as Multi Tenant Scenarios and Anti pass back This book is based on tried and tested solutions and strategies combined with extensive experience in designing specifying and implementing access control systems across the UK and Europe This book will reduce your workload save you time and effort and improve the quality of security specifications where access control plays an important part The content in this book is bang up to date and incorporates the very latest technology and techniques buy now to ensure that you don t get left behind with technological advances and innovation in security The book is easy to read and you can dip in and out of each chapter based on the subject or you can read the whole thing from start to finish in order It is packed with up to date information on what to take into account when specifying and designing access control systems download today to save yourself time AND improve the quality of your work If you are an M E Consultant who wants to confidently design access control systems while saving time and winning more clients this book is for you

Access Control David Bunch,2017-11-25 This stand alone lesson introduces the student to the essentials of Access Control This training manual is intended for use as part of an instructor led course in accordance with State regulations Access control for vehicles and personnel incorporates procedures security personnel technologies and systems to monitor the movement of vehicles and individuals into and out of a facility or controlled area A controlled area may refer to an entire facility or installation a building or a designated space indoors or outdoors

Security, ID Systems and Locks Joel Konicek,Karen Little,1997-04-17 Written in clear and simple terms Security ID Systems and Locks provides the security professional with a complete understanding of all aspects of electronic access control Each chapter includes important definitions helpful study hints highlighted review and application questions Security ID Systems and Locks will teach you how to Work with consultants Negotiate with dealers Select communications options Understand what computer professionals are saying Provide better security Throughout the book the reader will find advice from security professionals computer wizards and seasoned trainers Topics include a history of access control modern ID technology locks barriers sensors computers wiring communications and system design and integration Joel Konicek has worked in almost every phase of the security industry He is president and co founder of Northern Computers Inc sits on the board of the Security Industry

Association SIA and serves as SIA s Education Committee chairperson He has lectured widely and conducted training seminars on sales and technical support issues Karen Little a technical writer and trainer has been president of Clear Concepts since 1992 She provides research writing and illustrations for technical documentation training manuals Web sites and interactive multimedia Review questions and study tips make it easy to assess what you ve learned Well written and easy to understand this is the most up to date book on electronic access control Coupons in the back of the book will save money on training programs in access control

Arlo Home Security System User Guide Roy Murray,2024-07-29 Discover everything you need to know about securing your home with Arlo cameras in this ultimate Arlo Home Security System G guidebook This comprehensive manual is your go to resource for mastering the installation configuration and maintenance of your Arlo security system Whether you re a new user setting up your first camera or an experienced user looking to optimize your system this guide offers invaluable insights and practical tips Learn how to navigate the Arlo app customize camera settings and integrate your system with smart home devices for seamless home automation With step by step instructions and detailed explanations you ll be able to troubleshoot common issues ensure the security of your network and make the most of Arlo s advanced features including motion detection two way audio and cloud storage options In addition to practical setup and usage advice this guide delves into essential topics like account security privacy best practices and warranty information You ll find clear guidance on positioning your cameras connecting devices and understanding Arlo Smart Plans Plus explore the benefits of cloud and local storage firmware updates and how to reset your system when needed Packed with expert advice and additional resources The user manual is the ultimate handbook for keeping your home safe and secure Whether you re protecting your family or simply looking to enhance your home security this should be an essential companion for every Arlo user Get your copy today and take the first step towards a safer smarter home

[Access Control and Personal Identification Systems](#) Dan M Bowers,2013-10-22 Access Control and Personal Identification Systems provides an education in the field of access control and personal identification systems which is essential in selecting the appropriate equipment dealing intelligently with vendors in purchases of the equipment and integrating the equipment into a total effective system Access control devices and systems comprise an important part of almost every security system but are seldom the sole source of security In order for the goals of the total system to be met the other portions of the security system must also be well planned and executed The three major ingredients of a total security system are access control systems closed circuit television CCTV systems and alarm systems This book is designed to serve the needs of the businessmen executives and managers who are using or investigating whether or not to use electronic and automated means to improve security provisions and system This text will also be helpful for those persons in kindred fields in gaining sufficient knowledge of electronic security and those already working in the field of access control or with other areas of electronic security such as alarm systems and closed circuit television CCTV Writers and researchers who want to acquire

knowledge on the technology applications history and possible future direction of access control and personal identification systems will also benefit from this source

Electronic Access Control Keith Glover, 2017-07-10 This book consolidates this information covering a comprehensive yet easy to read list of subjects that every Access Control System Designer Installer Maintenance Tech or Project Manager needs to know in order to develop quality and profitable Alarm Access Control System installations Within these pages Keith Glover a master at electronic security and risk management consulting and author of the industry reference manual for the design of Integrated Security Systems describes the full range of EAC devices showing how they work and how they are installed Access Control Systems are difficult to learn and even harder to master due to the different ways in which manufacturers approach the subject and the myriad complications associated with doors door frames hardware and electrified locks

Embark on a transformative journey with Explore the World with is captivating work, Grab Your Copy of **Lenel Access Control Installation Manual** . This enlightening ebook, available for download in a convenient PDF format PDF Size: , invites you to explore a world of boundless knowledge. Unleash your intellectual curiosity and discover the power of words as you dive into this riveting creation. Download now and elevate your reading experience to new heights .

https://splashdogs.com/results/virtual-library/index.jsp/how_to_make_a_cover_letter.pdf

Table of Contents Lenel Access Control Installation Manual

1. Understanding the eBook Lenel Access Control Installation Manual
 - The Rise of Digital Reading Lenel Access Control Installation Manual
 - Advantages of eBooks Over Traditional Books
2. Identifying Lenel Access Control Installation Manual
 - Exploring Different Genres
 - Considering Fiction vs. Non-Fiction
 - Determining Your Reading Goals
3. Choosing the Right eBook Platform
 - Popular eBook Platforms
 - Features to Look for in an Lenel Access Control Installation Manual
 - User-Friendly Interface
4. Exploring eBook Recommendations from Lenel Access Control Installation Manual
 - Personalized Recommendations
 - Lenel Access Control Installation Manual User Reviews and Ratings
 - Lenel Access Control Installation Manual and Bestseller Lists
5. Accessing Lenel Access Control Installation Manual Free and Paid eBooks
 - Lenel Access Control Installation Manual Public Domain eBooks
 - Lenel Access Control Installation Manual eBook Subscription Services
 - Lenel Access Control Installation Manual Budget-Friendly Options

6. Navigating Lenel Access Control Installation Manual eBook Formats
 - ePub, PDF, MOBI, and More
 - Lenel Access Control Installation Manual Compatibility with Devices
 - Lenel Access Control Installation Manual Enhanced eBook Features
7. Enhancing Your Reading Experience
 - Adjustable Fonts and Text Sizes of Lenel Access Control Installation Manual
 - Highlighting and Note-Taking Lenel Access Control Installation Manual
 - Interactive Elements Lenel Access Control Installation Manual
8. Staying Engaged with Lenel Access Control Installation Manual
 - Joining Online Reading Communities
 - Participating in Virtual Book Clubs
 - Following Authors and Publishers Lenel Access Control Installation Manual
9. Balancing eBooks and Physical Books Lenel Access Control Installation Manual
 - Benefits of a Digital Library
 - Creating a Diverse Reading Collection Lenel Access Control Installation Manual
10. Overcoming Reading Challenges
 - Dealing with Digital Eye Strain
 - Minimizing Distractions
 - Managing Screen Time
11. Cultivating a Reading Routine Lenel Access Control Installation Manual
 - Setting Reading Goals Lenel Access Control Installation Manual
 - Carving Out Dedicated Reading Time
12. Sourcing Reliable Information of Lenel Access Control Installation Manual
 - Fact-Checking eBook Content of Lenel Access Control Installation Manual
 - Distinguishing Credible Sources
13. Promoting Lifelong Learning
 - Utilizing eBooks for Skill Development
 - Exploring Educational eBooks
14. Embracing eBook Trends
 - Integration of Multimedia Elements

- Interactive and Gamified eBooks

Lenel Access Control Installation Manual Introduction

In this digital age, the convenience of accessing information at our fingertips has become a necessity. Whether its research papers, eBooks, or user manuals, PDF files have become the preferred format for sharing and reading documents. However, the cost associated with purchasing PDF files can sometimes be a barrier for many individuals and organizations. Thankfully, there are numerous websites and platforms that allow users to download free PDF files legally. In this article, we will explore some of the best platforms to download free PDFs. One of the most popular platforms to download free PDF files is Project Gutenberg. This online library offers over 60,000 free eBooks that are in the public domain. From classic literature to historical documents, Project Gutenberg provides a wide range of PDF files that can be downloaded and enjoyed on various devices. The website is user-friendly and allows users to search for specific titles or browse through different categories. Another reliable platform for downloading Lenel Access Control Installation Manual free PDF files is Open Library. With its vast collection of over 1 million eBooks, Open Library has something for every reader. The website offers a seamless experience by providing options to borrow or download PDF files. Users simply need to create a free account to access this treasure trove of knowledge. Open Library also allows users to contribute by uploading and sharing their own PDF files, making it a collaborative platform for book enthusiasts. For those interested in academic resources, there are websites dedicated to providing free PDFs of research papers and scientific articles. One such website is Academia.edu, which allows researchers and scholars to share their work with a global audience. Users can download PDF files of research papers, theses, and dissertations covering a wide range of subjects. Academia.edu also provides a platform for discussions and networking within the academic community. When it comes to downloading Lenel Access Control Installation Manual free PDF files of magazines, brochures, and catalogs, Issuu is a popular choice. This digital publishing platform hosts a vast collection of publications from around the world. Users can search for specific titles or explore various categories and genres. Issuu offers a seamless reading experience with its user-friendly interface and allows users to download PDF files for offline reading. Apart from dedicated platforms, search engines also play a crucial role in finding free PDF files. Google, for instance, has an advanced search feature that allows users to filter results by file type. By specifying the file type as "PDF," users can find websites that offer free PDF downloads on a specific topic. While downloading Lenel Access Control Installation Manual free PDF files is convenient, its important to note that copyright laws must be respected. Always ensure that the PDF files you download are legally available for free. Many authors and publishers voluntarily provide free PDF versions of their work, but its essential to be cautious and verify the authenticity of the source before downloading Lenel Access Control Installation Manual. In conclusion, the internet offers numerous platforms and websites that allow users to

download free PDF files legally. Whether its classic literature, research papers, or magazines, there is something for everyone. The platforms mentioned in this article, such as Project Gutenberg, Open Library, Academia.edu, and Issuu, provide access to a vast collection of PDF files. However, users should always be cautious and verify the legality of the source before downloading Lenel Access Control Installation Manual any PDF files. With these platforms, the world of PDF downloads is just a click away.

FAQs About Lenel Access Control Installation Manual Books

What is a Lenel Access Control Installation Manual PDF? A PDF (Portable Document Format) is a file format developed by Adobe that preserves the layout and formatting of a document, regardless of the software, hardware, or operating system used to view or print it. **How do I create a Lenel Access Control Installation Manual PDF?** There are several ways to create a PDF: Use software like Adobe Acrobat, Microsoft Word, or Google Docs, which often have built-in PDF creation tools. Print to PDF: Many applications and operating systems have a "Print to PDF" option that allows you to save a document as a PDF file instead of printing it on paper. Online converters: There are various online tools that can convert different file types to PDF. **How do I edit a Lenel Access Control Installation Manual PDF?** Editing a PDF can be done with software like Adobe Acrobat, which allows direct editing of text, images, and other elements within the PDF. Some free tools, like PDFescape or Smallpdf, also offer basic editing capabilities. **How do I convert a Lenel Access Control Installation Manual PDF to another file format?** There are multiple ways to convert a PDF to another format: Use online converters like Smallpdf, Zamzar, or Adobe Acrobats export feature to convert PDFs to formats like Word, Excel, JPEG, etc. Software like Adobe Acrobat, Microsoft Word, or other PDF editors may have options to export or save PDFs in different formats. **How do I password-protect a Lenel Access Control Installation Manual PDF?** Most PDF editing software allows you to add password protection. In Adobe Acrobat, for instance, you can go to "File" -> "Properties" -> "Security" to set a password to restrict access or editing capabilities. Are there any free alternatives to Adobe Acrobat for working with PDFs? Yes, there are many free alternatives for working with PDFs, such as: LibreOffice: Offers PDF editing features. PDFsam: Allows splitting, merging, and editing PDFs. Foxit Reader: Provides basic PDF viewing and editing capabilities. How do I compress a PDF file? You can use online tools like Smallpdf, ILovePDF, or desktop software like Adobe Acrobat to compress PDF files without significant quality loss. Compression reduces the file size, making it easier to share and download. Can I fill out forms in a PDF file? Yes, most PDF viewers/editors like Adobe Acrobat, Preview (on Mac), or various online tools allow you to fill out forms in PDF files by selecting text fields and entering information. Are there any restrictions when working with PDFs? Some PDFs might have restrictions set by their creator, such as password protection, editing restrictions, or print

restrictions. Breaking these restrictions might require specific software or tools, which may or may not be legal depending on the circumstances and local laws.

Find Lenel Access Control Installation Manual :

how to make a cover letter

how to preper for agriculture bussis management exam

how to remove manual transmission s10

how to reset service light on mercedes c350

how to install assassins creed 2 brotherhood skidrow

~~how to promote your product~~ ~~how to promote your product~~

~~how to reset blackberry pearl to factory settings~~

how to invest money

~~how to make a jumping frog out of paper~~

how to remove a a c evaporator ford crown vic

how to report cell phone harrassment

how to reset service light on a mercedes sprinter 2004

how to grow your small business vol 4

~~how to make your own natural food coloring~~

how to publish an autobiography

Lenel Access Control Installation Manual :

puppenkleider nähen für anfänger einfach schnell talu de - Jan 01 2022

web für das puppenkleid benötigen sie nur einige wenige materialien jerseystoff oder einen anderen elastischen bekleidungsstoff zierbändchen lineal und maßband ein blatt

niedliche kleider für meine Lieblingspuppe faltershop - Aug 08 2022

web dec 3 2021 niedliche kleider für meine Lieblingspuppe von silvia braun Über 1 5 mio bücher im faltershop bestellen versandkostenfrei ab 35

niedliche kleider für meine Lieblingspuppe bücher de - Jun 18 2023

web niedliche kleider für meine Lieblingspuppe gebundenes buch jetzt bewerten auf die merkliste bewerten teilen

produkterinnerung puppenkleider einfach selber nähen für

niedliche kleider für meine lieblingspuppe orell füssli - Jun 06 2022

web puppenkleider einfach selber nähen für puppenmamas gibt es nichts schöneres als ihre lieblingspuppen hübsch anzuziehen wenn die kleider in liebevoller handarbeit

niedliche kleider für meine lieblingspuppe ab 9 82 - Mar 03 2022

web niedliche kleider für meine lieblingspuppe isbn 9783841064769 puppenkleider einfach selber nähen für puppenmamas gibt es nichts schöneres als ihre

niedliche kleider für meine lieblingspuppe braun silvia - Jul 19 2023

web jan 9 2018 niedliche kleider für meine lieblingspuppe braun silvia on amazon com free shipping on qualifying offers niedliche kleider für meine lieblingspuppe

[niedliche kleider für meine lieblingspuppe amazon nl](#) - Jan 13 2023

web select the department you want to search in

niedliche kleider für meine lieblingspuppe empik com - Mar 15 2023

web książka niedliche kleider für meine lieblingspuppe autorstwa braun silvia dostępna w sklepie empik com w cenie 55 25 zł przeczytaj recenzję niedliche kleider für meine

niedliche kleider für meine lieblingspuppe weltbild - Feb 14 2023

web klappentext zu niedliche kleider für meine lieblingspuppe puppenkleider einfach selber nähen für puppenmamas gibt es nichts schöneres als ihre lieblingspuppen

niedliche kleider für meine lieblingspuppe von silvia braun - Feb 02 2022

web jan 9 2018 niedliche kleider für meine lieblingspuppe von silvia braun gebundene ausgabe bei medimops de bestellen gebraucht günstig kaufen sparen gratis

niedliche kleider für meine lieblingspuppe hardcover zwab - Sep 09 2022

web niedliche kleider für meine lieblingspuppe von braun silvia isbn 10 3841064760 isbn 13 9783841064769 christophorus verlag 2022 hardcover niedliche kleider

niedliche kleider für meine lieblingspuppe buch weltbild ch - Nov 30 2021

web bücher online shop niedliche kleider für meine lieblingspuppe von silvia braun bei weltbild bestellen per rechnung zahlen weitere bücher bei weltbild

niedliche kleider für meine lieblingspuppe amazon de - Sep 21 2023

web may 5 2020 die kleidung ist für babypuppen ausgelegt eher weniger für stehpuppen die kleider sollen aber passen es gibt 4 verschiedene größen eine genaue maßtabelle

niedliche kleider fur meine Lieblingspuppe german hardcover - Apr 04 2022

web hello sign in account lists returns orders cart

niedliche kleider für meine Lieblingspuppe amazon se - Jul 07 2022

web niedliche kleider für meine Lieblingspuppe braun silvia amazon se böcker välj dina inställningar för cookies vi använder cookies och liknande verktyg som är nödvändiga för

niedliche kleider für meine Lieblingspuppe by amazon ae - Oct 10 2022

web buy niedliche kleider für meine Lieblingspuppe by online on amazon ae at best prices fast and free shipping free returns cash on delivery available on eligible purchase

niedliche kleider für meine Lieblingspuppe silvia braun eurobuch - Dec 12 2022

web niedliche kleider für meine Lieblingspuppe finden sie alle bücher von braun silvia bei der büchersuchmaschine eurobuch com können sie antiquarische und neubücher

niedliche kleider für meine Lieblingspuppe gebundene ausgabe - Oct 22 2023

web niedliche kleider für meine Lieblingspuppe braun silvia isbn 9783841064769 kostenloser versand für alle bücher mit versand und verkauf duch amazon niedliche

niedliche kleider für meine Lieblingspuppe thalia at - Apr 16 2023

web wenn die kleider in liebevoller handarbeit selbstgenäht werden macht es umso mehr freude entzückende sommerkleider aus jersey praktische cordhosen mit passenden

niedliche kleider für meine Lieblingspuppe amazon nl - May 17 2023

web selecteer de afdeling waarin je wilt zoeken

niedliche kleider für meine Lieblingspuppe buch thalia - Aug 20 2023

web dec 3 2021 wenn die kleider in liebevoller handarbeit selbstgenäht werden macht es umso mehr freude entzückende sommerkleider aus jersey praktische cordhosen mit

amazon de kundenrezensionen niedliche kleider für meine - Nov 11 2022

web finde hilfreiche kundenrezensionen und rezensionsbewertungen für niedliche kleider für meine Lieblingspuppe auf amazon de lese ehrliche und unvoreingenommene

9783841064769 niedliche kleider für meine Lieblingspuppe - May 05 2022

web niedliche kleider für meine Lieblingspuppe finden sie alle bücher von silvia braun bei der büchersuchmaschine eurobuch de können sie antiquarische und neubücher

stop swearing journal and tips amazon com - Sep 13 2023

web sep 16 2018 this book will help you stop swearing it provides quick and easy to follow tips to help you succeed in

cutting out bad language from your speech those tips will help you create a plan to stop swearing a journal planner will help you identify your foul language and organize methods to shut that potty mouth the book is meant for

[stop swearing journal and tips by curb cussing goodreads](#) - Aug 12 2023

web stop swearing book read reviews from world s largest community for readers this book will help you stop swearing it provides quick and easy to follow t

do you use swear words the new york times - Jun 29 2022

web nov 9 2023 in the opinion essay the secret power of swearing rebecca roache writes about how certain words have become off limits in polite company swearing can be so satisfying that it can help us

[stop swearing journal and tips amazon com au](#) - Jul 11 2023

web select the department you want to search in

[*stop swearing journal and tips amazon singapore*](#) - Oct 14 2023

web hello sign in account lists returns orders cart

[stop swearing journal and tips by curb cussing al wake](#) - May 29 2022

web our tips for calm moment how to stop your child from swearing sheknows stop swearing journal and tips ebook cussing stop swearing amp tips on stopping swearing donald trump pledges i won t stop tweeting usa today how to stop dieting quick and dirty tips 3 ways to stop swearing wikihow how to stop yelling at your kids quick and

how to stop swearing so damn much lifehacker australia - Oct 02 2022

web now what you are saying is fuckrying out loud i e for crying out loud this is a great little way to cover up the mishap after it has happened and to fool younger children

[*stopswearingjournalandtips download only wikimid2 aapg*](#) - Feb 23 2022

web stop swearing journal and tips iuniverse finally the cure for the common curse faced with an epidemic of profanity our country is in need of practical suggestions for breaking a habit that has ordinary citizens contributing to the decline of civility and good manners it s not always easy to resist the urge to cuss but foul language creates

stop swearing journal and tips book cyberlab sutd edu sg - May 09 2023

web stop swearing journal and tips olivia loving herself jul 25 2020 for more names type playful press name into search bar you are important and it s time you start giving yourself some tlc with lots of a tips and ideas this little journal will get you on the path of self care and love it s so simple to use

what happened when i tried to stop swearing success - Nov 03 2022

web jan 9 2018 in a study led by british psychologist richard stephens people were able to keep one hand in almost freezing water far longer if they cursed while doing it neutral words didn t cut it in

8 ways to stop junior from swearing smartparents sg - Jan 05 2023

web mar 22 2017 try these tips 1 set family blip yourself or express your anger in a productive way if you re struggling to keep your own habit of swearing under control better yet chong shares to channel your anger and stress into meditation or keeping a journal what s more if the method works for you

amazon com customer reviews stop swearing journal and tips - Apr 08 2023

web find helpful customer reviews and review ratings for stop swearing journal and tips at amazon com read honest and unbiased product reviews from our users

how to stop swearing so much 7 simple steps happier human - Jun 10 2023

web jan 3 2023 pro tip keep a swearing diary or journal in a small notebook write down each swear word you used in a day week month or longer and how many times you used the word this requires you to be mindful of the language and swear words you use when speaking to others and yourself

3 ways to stop swearing wikihow - Mar 07 2023

web may 8 2023 if you want to stop swearing try asking a friend to hold you accountable by pointing out when you swear you can also use a swear jar to quit to use one find a large jar or box and put 1 in it each time you swear which will act as a [stop swearing journal and tips by curb cussing al wake](#) - Apr 27 2022

web swearing journal and tips read online at alzheimer s disease the top five tips for managing 3 ways to stop swearing wikihow how to stop sweating 10 tips amp treatments sweatblock tips and ideas for

[swearing can actually be good for your health](#) - Sep 01 2022

web feb 3 2021 the research published in the journal of pain in 2011 concluded that swearing during a painful experience could trigger an emotional response the body s fight or flight response and a

[stop swearing journal and tips pivotid uvu](#) - Mar 27 2022

web stop swearing journal and tips litchfield swears in new council members thejournal news net it s ing big and it s ing clever why swearing makes you fitter happier and more persuasive the guardian remarks by president biden on the inflation reduction act and the white house

9781723745102 stop swearing journal and tips abebooks - Feb 06 2023

web this book will help you stop swearing it provides quick and easy to follow tips to help you succeed in cutting out bad language from your speech those tips will help you create a plan to stop swearing a journal planner will help you identify your foul language and organize methods to shut that potty mouth the book is meant for everyone it

stopswearingjournalandtips copy dev sfcg - Dec 04 2022

web this book will help you stop swearing it provides quick and easy to follow tips to help you succeed in cutting out bad

language from your speech those tips will help you create a plan to stop swearing a journal planner will help you identify your foul language and organize methods to shut that potty mouth the

download solutions stop swearing journal and tips - Jul 31 2022

web stop swearing journal and tips i have tried to stop swearing but i cunt dec 01 2022 a funny sweary gift for anyone who loves creative cursing makes a hilarious gag gift white elephant or yankee swap gift give as a gift or card replacement to celebrate a birthday holiday or retirement to your hilarious and profane friend or family member

repair manual opel corsa 1 7d 1999 copy uniport edu - Mar 29 2022

web view and download opel corsa owner s manual online corsa automobile pdf manual download

repair manual opel corsa 1 7d 1999 pdf 2023 red ortax - Jul 01 2022

web repair manual opel corsa 1 7d 1999 but end up in infectious downloads rather than reading a good book with a cup of tea in the afternoon instead they cope with some

opel corsa 1 7d 1999 service manuals and schematics fulltext - Nov 05 2022

web 1998 opel corsa service and repair manual 1999 opel corsa service and repair manual 2001 opel corsa c service and repair manual 2002 opel corsa c service

repair manual opel corsa 1 7d 1999 - Feb 25 2022

web and read online repair manual opel corsa 1 7d 1999 pdf book file easily for everyone or every device and also you can download or readonline all file pdf book that related

1999 opel corsa service repair manuals pdf download - Aug 14 2023

web motor era has the best selection of service repair manuals for your 1999 opel corsa download your manual now money back guarantee 1999 opel corsa service repair

user manual opel corsa 2007 english 301 pages - Oct 24 2021

download free repair manual opel corsa 1 7d 1999 - Apr 29 2022

web repair manual opel corsa 1 7d 1999 library center com june 11th 2018 repair manual opel corsa 1 7d 1999 searching for repair manual opel corsa 1 7d 1999 do you really

opel corsa 1 7d workshop manual eserviceinfo - May 11 2023

web tradebit merchants are proud to offer auto service repair manuals for your 1999 opel corsa download your manual now vauxhall opel 1997 2000 corsa workshop repair

opel corsa service repair manual opel corsa pdf - Jun 12 2023

web opel corsa 1 7d workshop manual service manual free download schematics datasheets eeprom bins pcb repair info for

test equipment and

opel corsa owner s manual pdf download manualslib - Dec 26 2021

web motor era has the best selection of service repair manuals for your 2007 opel corsa download your manual now money back guarantee 2007 opel corsa service repair

opel corsa free workshop and repair manuals - Mar 09 2023

web our opel automotive repair manuals are split into five broad categories opel workshop manuals opel owners manuals opel wiring diagrams opel sales brochures and

repair manual opel corsa 1 7d 1999 pdf - Sep 03 2022

web tronoplast com

2007 opel corsa service repair manuals pdf download - Sep 22 2021

opel vauxhall corsa 1997 2000 engine repair manual - Oct 04 2022

web repair manual opel corsa 1 7d 1999 pdf introduction repair manual opel corsa 1 7d 1999 pdf 2023 opel ascona service and repair manual 2014 06 this is one in a

opel corsa service repair manual opel corsa pdf - Jan 07 2023

web jan 1 2007 opel vauxhall corsa 1997 2000 repair maintenance and operation of the vehicle this guide for opel corsa equipped with petrol engines including model

opel corsa automotive repair manuals total car diagnostics - Aug 02 2022

web 1 repair manual opel corsa 1 7d 1999 competition build manual sep 07 2020 vauxhall frontera service and repair manual mar 02 2020 all models inc special limited

repair manual opel corsa 1 7d 1999 home rightster com - Jan 27 2022

web the opel corsa 2007 is a compact car produced by the german automaker opel it is available in both three door and five door hatchback body styles the exterior design of

service repair manual download pdf tradebit - Apr 10 2023

web vauxhall opel corsa complete workshop repair manual 2000 2004 download now vauxhall opel corsa workshop service repair manual 2000 2006 in

opel corsa service repair manual pdf just give me the - Feb 08 2023

web electronics service manual exchange schematics datasheets diagrams repairs schema service manuals eeprom bins pcb as

tronoplast com - May 31 2022

web its practically what you infatuation currently this repair manual opel corsa 1 7d 1999 as one of the most working sellers here will categorically be accompanied by the best [repair manual opel corsa 1 7d 1999 pdf free 128 199 84 146](#) - Nov 24 2021

opel corsa repair manuals manuals opel - Jul 13 2023

web service and repair manual corsa b p to x petrol 1997 2000 x10xe dohc x12xe dohc x12sz sohc c14se sohc x14sz sohc x14xe dohc x16xe dohc

[opel workshop repair owners manuals 100 free](#) - Dec 06 2022

web it is your utterly own times to enactment reviewing habit in the middle of guides you could enjoy now is repair manual opel corsa 1 7d 1999 below vauxhall opel insignia