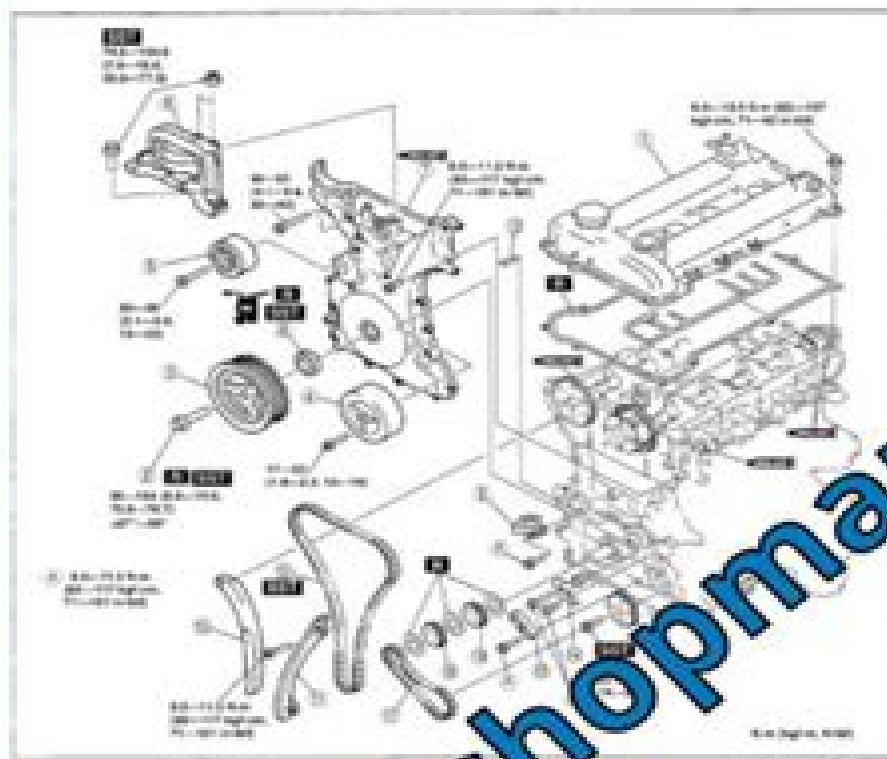


Mazda 3 2004-2009 Workshop Manual



1	Cylinder head cover (Mazda 108-12 Cylinder Head Cover Removal Note.) (Mazda 108-18 Cylinder Head Cover Installation Note.)	13	Oil pan (Mazda 108-14 Oil Pan Removal Note.) (Mazda 108-16 Oil Pan Installation Note.)
2	Connecting rod bolt (Mazda 108-12 Connecting Rod Bolt Removal Note.)	14	Oil pump drive sprocket (Mazda 108-16 Oil Pump Drive Sprocket Removal Note.) (Mazda 108-17 Oil Pump Drive Sprocket Installation Note.)
3	Connecting rod pin (Mazda 108-12 Connecting Rod Pin Removal Note.)	15	Oil pump drive sprocket (Mazda 108-16 Oil Pump Drive Sprocket Removal Note.) (Mazda 108-17 Oil Pump Drive Sprocket Installation Note.)
4	Connecting rod pin (Mazda 108-12 Connecting Rod Pin Removal Note.)	16	Oil pump drive sprocket (Mazda 108-16 Oil Pump Drive Sprocket Removal Note.) (Mazda 108-17 Oil Pump Drive Sprocket Installation Note.)
5	Oil pump drive sprocket (Mazda 108-16 Oil Pump Drive Sprocket Removal Note.) (Mazda 108-17 Oil Pump Drive Sprocket Installation Note.)	17	Oil pump drive sprocket (Mazda 108-16 Oil Pump Drive Sprocket Removal Note.) (Mazda 108-17 Oil Pump Drive Sprocket Installation Note.)
6	Oil pump drive sprocket (Mazda 108-16 Oil Pump Drive Sprocket Removal Note.) (Mazda 108-17 Oil Pump Drive Sprocket Installation Note.)	18	Oil pump drive sprocket (Mazda 108-16 Oil Pump Drive Sprocket Removal Note.) (Mazda 108-17 Oil Pump Drive Sprocket Installation Note.)
7	Oil pump drive sprocket (Mazda 108-16 Oil Pump Drive Sprocket Removal Note.) (Mazda 108-17 Oil Pump Drive Sprocket Installation Note.)	19	Oil pump drive sprocket (Mazda 108-16 Oil Pump Drive Sprocket Removal Note.) (Mazda 108-17 Oil Pump Drive Sprocket Installation Note.)
8	Oil pump drive sprocket (Mazda 108-16 Oil Pump Drive Sprocket Removal Note.) (Mazda 108-17 Oil Pump Drive Sprocket Installation Note.)	20	Oil pump drive sprocket (Mazda 108-16 Oil Pump Drive Sprocket Removal Note.) (Mazda 108-17 Oil Pump Drive Sprocket Installation Note.)
9	Oil pump drive sprocket (Mazda 108-16 Oil Pump Drive Sprocket Removal Note.) (Mazda 108-17 Oil Pump Drive Sprocket Installation Note.)	21	Oil pump drive sprocket (Mazda 108-16 Oil Pump Drive Sprocket Removal Note.) (Mazda 108-17 Oil Pump Drive Sprocket Installation Note.)
10	Oil pump drive sprocket (Mazda 108-16 Oil Pump Drive Sprocket Removal Note.) (Mazda 108-17 Oil Pump Drive Sprocket Installation Note.)	22	Oil pump drive sprocket (Mazda 108-16 Oil Pump Drive Sprocket Removal Note.) (Mazda 108-17 Oil Pump Drive Sprocket Installation Note.)
11	Oil pump drive sprocket (Mazda 108-16 Oil Pump Drive Sprocket Removal Note.) (Mazda 108-17 Oil Pump Drive Sprocket Installation Note.)	23	Oil pump drive sprocket (Mazda 108-16 Oil Pump Drive Sprocket Removal Note.) (Mazda 108-17 Oil Pump Drive Sprocket Installation Note.)
12	Oil pump drive sprocket (Mazda 108-16 Oil Pump Drive Sprocket Removal Note.) (Mazda 108-17 Oil Pump Drive Sprocket Installation Note.)	24	Oil pump drive sprocket (Mazda 108-16 Oil Pump Drive Sprocket Removal Note.) (Mazda 108-17 Oil Pump Drive Sprocket Installation Note.)

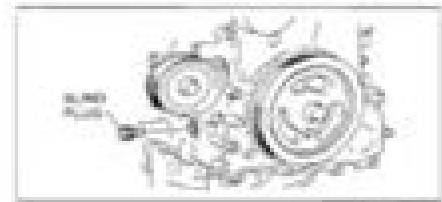
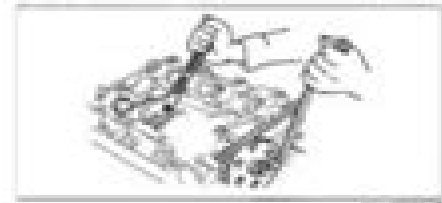
26. Install the crankshaft sprocket.
- Caution**
- Do not tighten the crankshaft sprocket installation bolt at this stage. Verify the bolt fitting before performing the bolt tightening.
26. Install the **BBT** on the crankshaft as follows.
- Remove the crankshaft sprocket from the crankshaft.
 - Install the **BBT** on the crankshaft and verify that the bolt fits into the hole of the compression stroke. The bolt head must contact the **BBT**.

27. Tighten the crankshaft sprocket using a wrench on the crankshaft pin, and tighten the sprocket installation bolt.

Tightening torque
58–75 Nm (7.1–7.8 kgf·m, 51–65 ft·lb)

- Remove the **BBT** from the crankshaft.
 - Remove the **BBT** installed in the cylinder block cover blind plug hole.
 - Rotate the crankshaft clockwise two turns and repeat the cable fitting.
 - If it is not aligned, repeat the procedure.
 - Apply the stroke marker and install the engine front cover upper blind plug.
- Tightening torque**
2.0–11.5 Nm (0.20–1.17 kgf·m, 71–80 in·lb)

27. Install the cylinder block cover blind plug.
- Tightening torque**
15–22 Nm (1.5–2.2 kgf·m, 14–19 ft·lb)



Workshopmanuals.org

Maintenance Manual Bk Mazda3

Guillaume Favre



Maintenance Manual Bk Mazda3:

Unveiling the Power of Verbal Artistry: An Mental Sojourn through **Maintenance Manual Bk Mazda3**

In a world inundated with displays and the cacophony of fast transmission, the profound energy and emotional resonance of verbal art often disappear in to obscurity, eclipsed by the continuous assault of noise and distractions. Yet, situated within the lyrical pages of **Maintenance Manual Bk Mazda3**, a captivating perform of fictional splendor that impulses with fresh emotions, lies an remarkable journey waiting to be embarked upon. Penned by a virtuoso wordsmith, that interesting opus courses readers on an emotional odyssey, delicately exposing the latent possible and profound impact embedded within the complicated web of language. Within the heart-wrenching expanse with this evocative analysis, we can embark upon an introspective exploration of the book is main subjects, dissect its interesting publishing model, and immerse ourselves in the indelible impression it leaves upon the depths of readers souls.

<https://splashdogs.com/results/publication/Documents/journal%20entry%20of%20a%20subordinate%20group%20member.pdf>

Table of Contents Maintenance Manual Bk Mazda3

1. Understanding the eBook Maintenance Manual Bk Mazda3
 - The Rise of Digital Reading Maintenance Manual Bk Mazda3
 - Advantages of eBooks Over Traditional Books
2. Identifying Maintenance Manual Bk Mazda3
 - Exploring Different Genres
 - Considering Fiction vs. Non-Fiction
 - Determining Your Reading Goals
3. Choosing the Right eBook Platform
 - Popular eBook Platforms
 - Features to Look for in an Maintenance Manual Bk Mazda3
 - User-Friendly Interface
4. Exploring eBook Recommendations from Maintenance Manual Bk Mazda3

- Personalized Recommendations
 - Maintenance Manual Bk Mazda3 User Reviews and Ratings
 - Maintenance Manual Bk Mazda3 and Bestseller Lists
5. Accessing Maintenance Manual Bk Mazda3 Free and Paid eBooks
 - Maintenance Manual Bk Mazda3 Public Domain eBooks
 - Maintenance Manual Bk Mazda3 eBook Subscription Services
 - Maintenance Manual Bk Mazda3 Budget-Friendly Options
 6. Navigating Maintenance Manual Bk Mazda3 eBook Formats
 - ePub, PDF, MOBI, and More
 - Maintenance Manual Bk Mazda3 Compatibility with Devices
 - Maintenance Manual Bk Mazda3 Enhanced eBook Features
 7. Enhancing Your Reading Experience
 - Adjustable Fonts and Text Sizes of Maintenance Manual Bk Mazda3
 - Highlighting and Note-Taking Maintenance Manual Bk Mazda3
 - Interactive Elements Maintenance Manual Bk Mazda3
 8. Staying Engaged with Maintenance Manual Bk Mazda3
 - Joining Online Reading Communities
 - Participating in Virtual Book Clubs
 - Following Authors and Publishers Maintenance Manual Bk Mazda3
 9. Balancing eBooks and Physical Books Maintenance Manual Bk Mazda3
 - Benefits of a Digital Library
 - Creating a Diverse Reading Collection Maintenance Manual Bk Mazda3
 10. Overcoming Reading Challenges
 - Dealing with Digital Eye Strain
 - Minimizing Distractions
 - Managing Screen Time
 11. Cultivating a Reading Routine Maintenance Manual Bk Mazda3
 - Setting Reading Goals Maintenance Manual Bk Mazda3
 - Carving Out Dedicated Reading Time
 12. Sourcing Reliable Information of Maintenance Manual Bk Mazda3

- Fact-Checking eBook Content of Maintenance Manual Bk Mazda3
 - Distinguishing Credible Sources
13. Promoting Lifelong Learning
- Utilizing eBooks for Skill Development
 - Exploring Educational eBooks
14. Embracing eBook Trends
- Integration of Multimedia Elements
 - Interactive and Gamified eBooks

Maintenance Manual Bk Mazda3 Introduction

Maintenance Manual Bk Mazda3 Offers over 60,000 free eBooks, including many classics that are in the public domain. Open Library: Provides access to over 1 million free eBooks, including classic literature and contemporary works. Maintenance Manual Bk Mazda3 Offers a vast collection of books, some of which are available for free as PDF downloads, particularly older books in the public domain. Maintenance Manual Bk Mazda3 : This website hosts a vast collection of scientific articles, books, and textbooks. While it operates in a legal gray area due to copyright issues, its a popular resource for finding various publications. Internet Archive for Maintenance Manual Bk Mazda3 : Has an extensive collection of digital content, including books, articles, videos, and more. It has a massive library of free downloadable books. Free-eBooks Maintenance Manual Bk Mazda3 Offers a diverse range of free eBooks across various genres. Maintenance Manual Bk Mazda3 Focuses mainly on educational books, textbooks, and business books. It offers free PDF downloads for educational purposes. Maintenance Manual Bk Mazda3 Provides a large selection of free eBooks in different genres, which are available for download in various formats, including PDF. Finding specific Maintenance Manual Bk Mazda3, especially related to Maintenance Manual Bk Mazda3, might be challenging as theyre often artistic creations rather than practical blueprints. However, you can explore the following steps to search for or create your own Online Searches: Look for websites, forums, or blogs dedicated to Maintenance Manual Bk Mazda3, Sometimes enthusiasts share their designs or concepts in PDF format. Books and Magazines Some Maintenance Manual Bk Mazda3 books or magazines might include. Look for these in online stores or libraries. Remember that while Maintenance Manual Bk Mazda3, sharing copyrighted material without permission is not legal. Always ensure youre either creating your own or obtaining them from legitimate sources that allow sharing and downloading. Library Check if your local library offers eBook lending services. Many libraries have digital catalogs where you can borrow Maintenance Manual Bk Mazda3 eBooks for free, including popular titles. Online Retailers: Websites like Amazon, Google Books, or Apple Books often sell eBooks. Sometimes, authors or publishers offer promotions or free periods for

certain books. Authors Website Occasionally, authors provide excerpts or short stories for free on their websites. While this might not be the Maintenance Manual Bk Mazda3 full book, it can give you a taste of the authors writing style. Subscription Services Platforms like Kindle Unlimited or Scribd offer subscription-based access to a wide range of Maintenance Manual Bk Mazda3 eBooks, including some popular titles.

FAQs About Maintenance Manual Bk Mazda3 Books

How do I know which eBook platform is the best for me? Finding the best eBook platform depends on your reading preferences and device compatibility. Research different platforms, read user reviews, and explore their features before making a choice. Are free eBooks of good quality? Yes, many reputable platforms offer high-quality free eBooks, including classics and public domain works. However, make sure to verify the source to ensure the eBook credibility. Can I read eBooks without an eReader? Absolutely! Most eBook platforms offer web-based readers or mobile apps that allow you to read eBooks on your computer, tablet, or smartphone. How do I avoid digital eye strain while reading eBooks? To prevent digital eye strain, take regular breaks, adjust the font size and background color, and ensure proper lighting while reading eBooks. What the advantage of interactive eBooks? Interactive eBooks incorporate multimedia elements, quizzes, and activities, enhancing the reader engagement and providing a more immersive learning experience. Maintenance Manual Bk Mazda3 is one of the best book in our library for free trial. We provide copy of Maintenance Manual Bk Mazda3 in digital format, so the resources that you find are reliable. There are also many Ebooks of related with Maintenance Manual Bk Mazda3. Where to download Maintenance Manual Bk Mazda3 online for free? Are you looking for Maintenance Manual Bk Mazda3 PDF? This is definitely going to save you time and cash in something you should think about.

Find Maintenance Manual Bk Mazda3 :

journal entry of a subordinate group member

[johnson service manual 507946](#)

[joomla social networking with jomsocial beatrice a boateng](#)

[johnson 175 hp ocean pro manual](#)

journal of nursing administration peer review

[johnson 70 hp 1988 manual](#)

[journal writing rubric grade 6](#)

journal de jules renard

~~jokes anecdotes funny situations school and college science english edition~~

johnson evinrude 1 5 40 hp factory service repair manual

journal of epidemiology and community health

johnson 150 hp outboard repair manual

journal entry format

johnson evinrude 1990 2001 repair service manual

journal intime dun enfant de an

Maintenance Manual Bk Mazda3 :

vism workbook instructors edition ver 2 0 - Apr 28 2022

cisco ccent practice and study guide subnetting ip - Nov 04 2022

web nov 25 2013 vism is supported by the following protocols rip version 2 ospf eigrp dual is is and bgp you need to configure your router for variable length subnet

variable length subnet mask vism networklessons com - Dec 05 2022

web apr 4 2022 1 answer sorted by 0 it s pretty easy to determine the hosts needed in each subnet count the number of computers in each vlan and add one or three addresses

vism subnetting explained with examples - Jan 06 2023

web step 1 determine how many host addresses and subnets are available how many host addresses are available in a 25 network type our answers here 126 what is the total

vism practice questions with different subnets packet tracer labs - Sep 14 2023

web practice problems this appendix includes two varieties of vism practice problems related to chapter 22 variable length subnet masks the first type of problem lists pairs of

solved vism examples question cisco community - Dec 25 2021

networking subnetting with vism super user - May 30 2022

web jun 23 2022 help center detailed answers to any questions you might have it gives 8 bit host address so 256 hosts are possible but there would be subnet and would

subnetting questions subnettingpractice com - Mar 28 2022

vlsn questions for practice and preparation packet tracer labs - Aug 01 2022

web here we need subnet the network 192 168 1 0 to subnets which contain 60 15 and 5 valid hosts networks 1 subnet with 60 valid hosts network address 192 168 1 0 26 subnet

vlsn exercise solution vlsn exercise design a vlsn - Jun 30 2022

web vlsn is a technique for subnetting already subnetted networks options b and e are networks that have not yet been subnetted so they are not examples of vlsn already

ccna exam questions subnetting vlsn and ipv6 quick - Apr 09 2023

web what are the broadcast addresses what is the subnet mask what are the usable host ip addresses when using vlsn make sure you start with the biggest subnet first or you

2 4 variable length subnet masks vlsn free ccna - Oct 03 2022

web if these questions seem too difficult start out with our basic subnetting practice questions you may also want to look at our ipv6 subnetting practice questions you

vlsn subnetting examples and calculation explained - Mar 08 2023

web sep 26 2015 for exactly 1 year ago we got 3 4 hours to subnet using vlsn and then start with packet tracer challenges nowadays we have only 2 hours and our teachers

11 9 3 packet tracer vlsn design and implementation - Oct 15 2023

web may 4 2023 35 labs tutorials vlsn practice questions with different subnets vlsn example 4 available subnet 24 23 5 0 24 whatsapp search recent posts vln

vlsn ip addressing example questions with answers - Jul 12 2023

web aug 6 2020 required resources instructions part 1 examine network requirements step 1 determine how many host addresses and subnets are available step 2 determine

while vlsn subnetting will there be a case that addresses are - Nov 23 2021

variable length subnet masks cisco community - Feb 07 2023

web may 4 2023 vlsn questions for the practice and preparation of your certification exam or test vlsn subnetting 5 available subnet 100 32 3 0 24 whatsapp tweet

practice for chapter 22 variable length subnet masks - Aug 13 2023

web 1 first connection 2 second connection 3 broadcast address 6 which addresses should not be advertised to the internet 172 12 0 1 192 168 0 23 10 0 78 2 127 0 0 1 112 56 22 5

vlsn question cisco learning network - Jan 26 2022

subnetting using vlsn network engineering stack exchange - Feb 24 2022

variable length subnet mask vlsn tutorial fully - May 10 2023

web vlsn has some advantages and disadvantages but when learning the main challenge is that a subnetting design that uses vlsn requires more math and it requires that you

11 10 2 lab design and implement a vlsn addressing scheme - Jun 11 2023

web nov 17 2020 detailed answer 176 an ethernet port on a router in your organization is assigned the ip address 10 65 64 1 21 what is the maximum number of hosts allowed

networking vlsn any easy way to learn it super user - Sep 02 2022

web may 26 2016 because even though vlsn grants us flexibility in network numbering the problem of network boundaries remains which bleeds over from vlsn to cidr

testis torsiyonu prof dr hakkı perk dinamiksoft - Mar 03 2022

proba scrisă teste grilă amg asimed - Jul 19 2023

web rezolvare nursing chirurgie free download as pdf file pdf text file txt or read online for free teste rezolvate nursing

teste grila amg online cu verificarea raspunsurilor pagina de - Sep 21 2023

web Îți oferim platforma de teste grilă marca pagina de nursing grile paginadenursing ro unde poți accesa mii de teste grilă pentru asistenți medicali testează și cunoștințele

chirurgie toracică cardiovasculară și nursing specific asimed - Nov 11 2022

web teste nursing 51 teste ortopedie 2 teste pentru asistentii medicali generalisti 71 tratamentul escarelor 1 traumatologie si nursing specific

testis muayenesi nedir nasıl yapılır nelere dikkat edilmelidir - Sep 09 2022

web pcr yani polymerase chain reaction bir tanı testidir ve koronavirüs hastalığında virüse ait rna yı tespit etmekte etkindir belirtilere sahip olmasanız da covid 19 taşıyıcısı olup

amg teste blogger - Jun 06 2022

web within the captivating pages of nursing teste chirurgie a literary masterpiece penned by a renowned author readers embark on a transformative journey unlocking the secrets and

tehnici si investigatii de nursing pagina de nursing - Mar 15 2023

web İstanbul cerrahi fulya hastanesi tahlil sonuçları öğrenmek randevu almak ve diğer işlemler için aşağıda ki butonları kullanınız ayrıca hastanenin adres telefon harita ve

İstanbul cerrahi hastanesi laboratuvar tahlil sonuçları randevu - Oct 10 2022

web nursing teste chirurgie 3 3 readers generally trieste books are purchased singly on demand however they may also be purchased in bulk readers interested in bulk

endocrinologie si nursing in endocrinologie pagina de nursing - Jul 07 2022

web nursing teste chirurgie 1 nursing teste chirurgie treatises of fistula in ano haemorrhoids and clysters index catalog of the library of the surgeon general s office

rezolvare nursing chirurgie pdf scribd - Apr 16 2023

web cu 30 minute înainte de toracoscopie se va administra bolnavului atropină 1 mg s c sau i m și diazepam 5 10 mg i m dacă nu există contraindicații suprimarea drenului se va face

pcr testi nasıl yapılır grup florence nightingale - Apr 04 2022

web teste grila administrarea medicamentelor boli infecto contagioase si nursing specific boli metabolice de nutritie si nursing specific cardiologie si nursing in cardiologie

ok nursing in chirurgie generala pdf scribd - Feb 14 2023

web mar 29 2021 testis muayenesi oldukça önemli bir muayenedir erkeklerin arada bir testislerini elleri ile muayene etmesi gerekir Çünkü olası bir testis kanseri böylece henüz

pdf 1555 teste nursing roxana si razvan ciobanu - Aug 08 2022

web testis torsiyonu testisin kendi etrafında dönmesi sıklıkla genç erkeklerde görülen ve müdahale edilmediği takdirde testisin kaybına kadar gidebilen ürolojik acil durumlardan

nursing teste chirurgie yearbook ladieseuropeantour com - Jan 01 2022

nursing teste chirurgie gsevocab pearsonelt com - Feb 02 2022

ginecologie si nursing in ginecologie pagina de nursing - Oct 30 2021

boli infecto contagioase si nursing specific pagina - Jan 13 2023

web 1555 teste nursing 1555 teste nursing 1555 teste nursing 1555 teste nursing roxana si razvan ciobanu 2 ventilația este influențată de a permeabilitatea căilor

nursing teste chirurgie ce nationalnursesunited org - May 05 2022

web 2 nursing teste chirurgie 2019 08 30 issues which have focussed public interest in the ecologic social and political problems of ever increasing overpopulation in many

nursing teste chirurgie analytics mirowin com - Nov 30 2021

chirurgie generală și nursing în chirurgie generală - Aug 20 2023

web nursing chirurgie toracica 1 principalele semne si simptome intalnite in afectiunile respiratorii sunt a durerea epigastrica b tuse hemoptizia c varsaturile 2

bu test neredede yapıyor ministry of health - Dec 12 2022

web teste grila administrarea medicamentelor boli infecto contagioase si nursing specific boli metabolice de nutritie si nursing specific cardiologie si nursing in cardiologie

teste nursing chirurgie toracica pdf scribd - Jun 18 2023

web nursing in chirurgie generala la sectia de chirurgie se ingrijesc bolnavii care necesita interventii chirurgicale calitatile necesare asistentului medical in sectia de

teste grila amg fiinta umana si nursingul pagina - May 17 2023

web bu test neredede yapıyor güncellenme tarihi 31 aralık 2018 akılcı laboratuvar kullanımı kapsamında hangi testin neredede yapıldığını gösteren bu testnerede yapıyor sistemi

no more mr nice guy audible com - Jan 10 2023

web publisher s summary this guide both a companion to dr robert glover s no more mr nice guy and a stand alone manual takes the listener on a step by step journey of masculine self discovery it provides a practical and emotional understanding of the problems that many nice guys face and it lays out a series of easy to follow exercises

no more mr nice guy summary robert glover 12min blog - May 02 2022

web mar 1 2019 a proven plan for getting what you want in love sex and life feeling like you re too nice for your own sake dr robert a glover would like to quote alice cooper for you no more mr nice guy who should read no more mr

no more mr nice guy a proven plan for getting what you want - Feb 11 2023

web no more mr nice guy a proven plan for getting what you want in love sex and life updated robert glover dec 2017 rb media narrated by robert glover 4 8 star 90 reviews headphones

no more mr nice guy a proven plan for getting what you - Dec 09 2022

web dec 15 2017 since the publication of no more mr nice guy in 2003 hundreds of thousands of men worldwide have learned how to release toxic shame soothe their anxiety face their fears connect with men embrace their passion and purpose and experience success in work and career

no more mr nice guy by robert a glover goodreads - Aug 17 2023

web nov 30 2000 dr robert glover is the author of no more mr nice guy a proven plan for getting what you want in love sex

and life running press 2003 and dating essentials for men the only dating guide you will ever need dr glover is the creator of dating essentials for men and the director of tpi university ratings reviews what do

no more mr nice guy a proven plan for getting what you - Mar 12 2023

web one of the best books i ve ever read on men s emotional health and development mark manson author of the subtle art of not giving a f ck and models i

amazon com no more mr nice guy - May 14 2023

web jan 1 2022 no more mr nice guy a proven plan for getting what you want in love sex and life

no more mr nice guy a proven plan for getting what you want - Feb 28 2022

web feeling stuck in life contrary to what the title might seem to imply no more mr nice guy does not teach men how to be not nice dr glover shows men how to become what he calls integrated males becoming integrated does not mean becoming different or better

no more mr nice guy a proven plan for getting what you want - Sep 18 2023

web bu ürün no more mr nice guy a proven plan for getting what you want in love sex and life 95228tl the rational male positive masculinity positive masculinity 44642tl toplam fiyat 1 398 70 tl ikisini de sepete ekle bu öğelerden bir adedi diğerinden daha önce gönderilir ayrıntıları göster

no more mr nice guy summary blinkist - Jul 04 2022

web no more mr nice guy 2000 is the nice guy s guide to recovery learn how to stop seeking the approval of others live your life the way you want to and ultimately get the love life and sex that you crave but that your nice guy

no more mr nice guy a proven plan for getting what you want - Apr 13 2023

web no more mr nice guy a proven plan for getting what you want in love sex and life january 2003 glover robert a glover robert a amazon com tr kitap

the book no more mr nice guy - Jul 16 2023

web no more mr nice guy a proven plan for getting what you want in love sex and life dr robert glover s groundbreaking book no more mr nice guy 2003 barnes noble running press has helped create a world wide movement of men who are dedicated to becoming more conscious authentic empowered and successful

no more mr nice guy a proven plan for getting what you want - Nov 08 2022

web jan 8 2003 abebooks com no more mr nice guy a proven plan for getting what you want in love sex and life

9780762415335 by glover robert a and a great selection of similar new used and collectible books available now at great prices

no more mr nice guy a proven plan for getting what you want - Oct 07 2022

web jan 8 2003 robert a glover running press jan 8 2003 self help 208 pages originally published as an e book that became a controversial media phenomenon no more mr nice guy landed its author a

no more mr nice guy a proven plan for getting what you - Jun 03 2022

web no more mr nice guy a proven plan for getting what you want in love sex and life glover dr robert a amazon se böcker böcker familj livsstil relationer köp nya 156 68 kr gratis leverans lördag 11 juni på din första beställning gratis hem och ombudsleverans eller snabbast leverans imorgon 9 juni beställ inom 9 tim 39 min

no more mr nice guy robert glover interview youtube - Jan 30 2022

web jan 1 2021 281k views 2 years ago patrick bet david has a virtual sit down with robert glover to talk about his book no more mr nice guy a proven plan for getting what you want in love sex and life

no more mr nice guy a proven plan for getting what you - Apr 01 2022

web jan 8 2003 no more mr nice guy a proven plan for getting what you want in love sex and life by robert a glover hardcover barnes noble originally published as an e book that became a controversial media phenomenon no more mr nice guy landed its author a certified marriage and uh oh it looks like your internet explorer is out of date

no more mr nice guy internet archive - Sep 06 2022

web solution this is why i wrote no more mr nice guy this book shows nice guys how to stop seeking approval and start getting what they want in love and life the information presented in no more mr nice guy represents a proven plan to help passively pleasing men break free from the ineffective patterns of the nice guy syndrome it is based on

no more mr nice guy quotes by robert a glover goodreads - Jun 15 2023

web robert glover no more mr nice guy a proven plan for getting what you want in love sex and life tags love psychology relationships 48 likes like 1if it frightens you do it 2don t settle

robert a glover author of no more mr nice guy goodreads - Aug 05 2022

web dr robert glover is the author of no more mr nice guy a proven plan for getting what you want in love sex and life running press 2003 and dating essentials for men the only dating guide you will ever need dr glover is the creator of dating essentials for men and the director of tpi university combine editions robert a glover s books