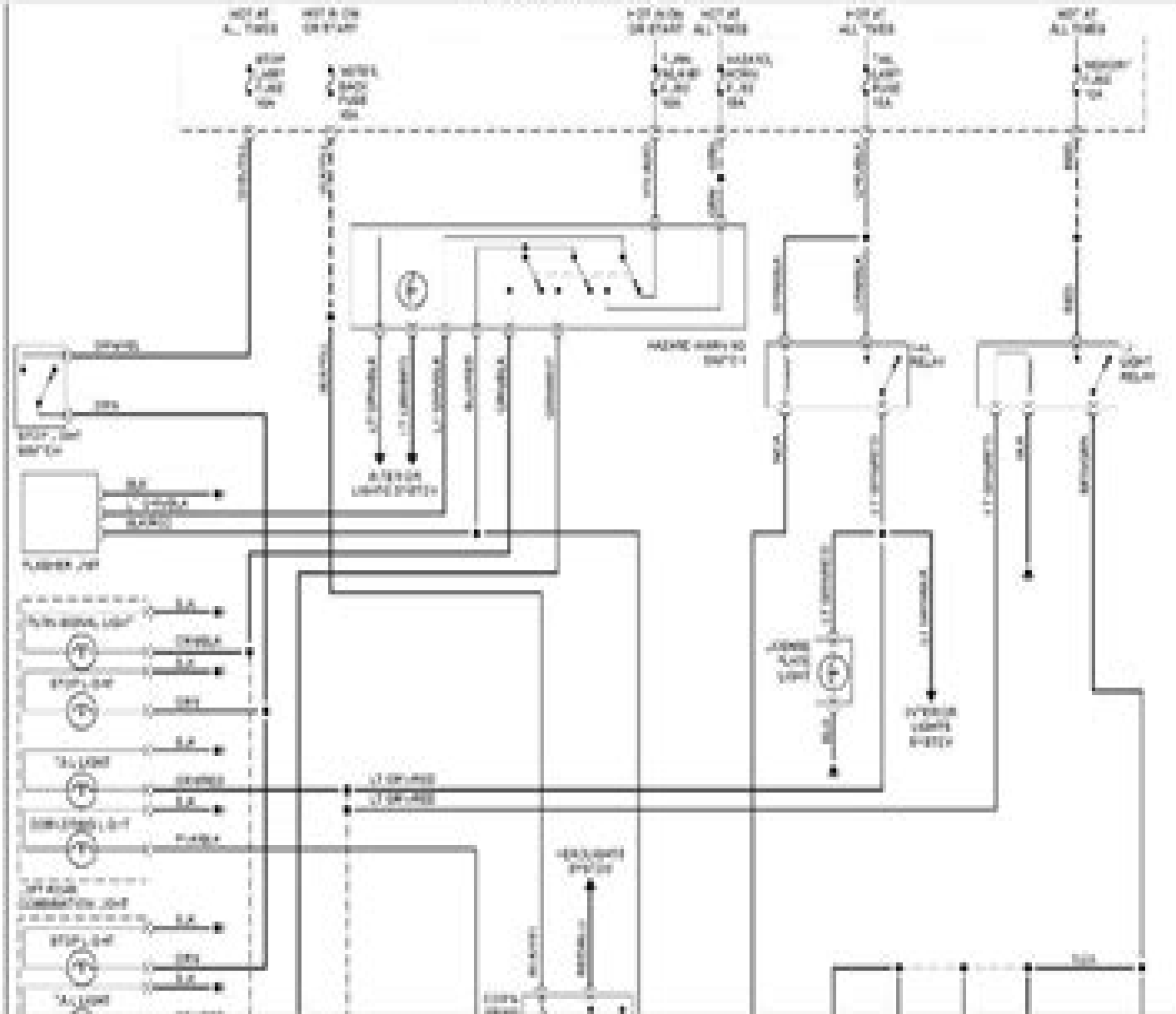


1998 GMC W Series - W4

Fig. 14: Exterior Lamps Circuit



Isuzu Npr Purple Wire

Xiang Xie



Isuzu Npr Purple Wire:

If you ally dependence such a referred **Isuzu Npr Purple Wire** books that will meet the expense of you worth, get the entirely best seller from us currently from several preferred authors. If you want to comical books, lots of novels, tale, jokes, and more fictions collections are then launched, from best seller to one of the most current released.

You may not be perplexed to enjoy every book collections Isuzu Npr Purple Wire that we will unquestionably offer. It is not on the costs. Its roughly what you craving currently. This Isuzu Npr Purple Wire, as one of the most keen sellers here will very be in the midst of the best options to review.

https://splashdogs.com/results/scholarship/Download_PDFS/manual%20of%20mercedes%20benz%20ml320%202006.pdf

Table of Contents Isuzu Npr Purple Wire

1. Understanding the eBook Isuzu Npr Purple Wire
 - The Rise of Digital Reading Isuzu Npr Purple Wire
 - Advantages of eBooks Over Traditional Books
2. Identifying Isuzu Npr Purple Wire
 - Exploring Different Genres
 - Considering Fiction vs. Non-Fiction
 - Determining Your Reading Goals
3. Choosing the Right eBook Platform
 - Popular eBook Platforms
 - Features to Look for in an Isuzu Npr Purple Wire
 - User-Friendly Interface
4. Exploring eBook Recommendations from Isuzu Npr Purple Wire
 - Personalized Recommendations
 - Isuzu Npr Purple Wire User Reviews and Ratings
 - Isuzu Npr Purple Wire and Bestseller Lists
5. Accessing Isuzu Npr Purple Wire Free and Paid eBooks

- Isuzu Npr Purple Wire Public Domain eBooks
 - Isuzu Npr Purple Wire eBook Subscription Services
 - Isuzu Npr Purple Wire Budget-Friendly Options
6. Navigating Isuzu Npr Purple Wire eBook Formats
 - ePub, PDF, MOBI, and More
 - Isuzu Npr Purple Wire Compatibility with Devices
 - Isuzu Npr Purple Wire Enhanced eBook Features
 7. Enhancing Your Reading Experience
 - Adjustable Fonts and Text Sizes of Isuzu Npr Purple Wire
 - Highlighting and Note-Taking Isuzu Npr Purple Wire
 - Interactive Elements Isuzu Npr Purple Wire
 8. Staying Engaged with Isuzu Npr Purple Wire
 - Joining Online Reading Communities
 - Participating in Virtual Book Clubs
 - Following Authors and Publishers Isuzu Npr Purple Wire
 9. Balancing eBooks and Physical Books Isuzu Npr Purple Wire
 - Benefits of a Digital Library
 - Creating a Diverse Reading Collection Isuzu Npr Purple Wire
 10. Overcoming Reading Challenges
 - Dealing with Digital Eye Strain
 - Minimizing Distractions
 - Managing Screen Time
 11. Cultivating a Reading Routine Isuzu Npr Purple Wire
 - Setting Reading Goals Isuzu Npr Purple Wire
 - Carving Out Dedicated Reading Time
 12. Sourcing Reliable Information of Isuzu Npr Purple Wire
 - Fact-Checking eBook Content of Isuzu Npr Purple Wire
 - Distinguishing Credible Sources
 13. Promoting Lifelong Learning
 - Utilizing eBooks for Skill Development

- Exploring Educational eBooks
14. Embracing eBook Trends
- Integration of Multimedia Elements
 - Interactive and Gamified eBooks

Isuzu Npr Purple Wire Introduction

Free PDF Books and Manuals for Download: Unlocking Knowledge at Your Fingertips In today's fast-paced digital age, obtaining valuable knowledge has become easier than ever. Thanks to the internet, a vast array of books and manuals are now available for free download in PDF format. Whether you are a student, professional, or simply an avid reader, this treasure trove of downloadable resources offers a wealth of information, conveniently accessible anytime, anywhere. The advent of online libraries and platforms dedicated to sharing knowledge has revolutionized the way we consume information. No longer confined to physical libraries or bookstores, readers can now access an extensive collection of digital books and manuals with just a few clicks. These resources, available in PDF, Microsoft Word, and PowerPoint formats, cater to a wide range of interests, including literature, technology, science, history, and much more. One notable platform where you can explore and download free Isuzu Npr Purple Wire PDF books and manuals is the internet's largest free library. Hosted online, this catalog compiles a vast assortment of documents, making it a veritable goldmine of knowledge. With its easy-to-use website interface and customizable PDF generator, this platform offers a user-friendly experience, allowing individuals to effortlessly navigate and access the information they seek. The availability of free PDF books and manuals on this platform demonstrates its commitment to democratizing education and empowering individuals with the tools needed to succeed in their chosen fields. It allows anyone, regardless of their background or financial limitations, to expand their horizons and gain insights from experts in various disciplines. One of the most significant advantages of downloading PDF books and manuals lies in their portability. Unlike physical copies, digital books can be stored and carried on a single device, such as a tablet or smartphone, saving valuable space and weight. This convenience makes it possible for readers to have their entire library at their fingertips, whether they are commuting, traveling, or simply enjoying a lazy afternoon at home. Additionally, digital files are easily searchable, enabling readers to locate specific information within seconds. With a few keystrokes, users can search for keywords, topics, or phrases, making research and finding relevant information a breeze. This efficiency saves time and effort, streamlining the learning process and allowing individuals to focus on extracting the information they need. Furthermore, the availability of free PDF books and manuals fosters a culture of continuous learning. By removing financial barriers, more people can access educational resources and pursue lifelong learning, contributing to personal growth and professional development. This democratization of knowledge promotes intellectual curiosity and empowers

individuals to become lifelong learners, promoting progress and innovation in various fields. It is worth noting that while accessing free Isuzu Npr Purple Wire PDF books and manuals is convenient and cost-effective, it is vital to respect copyright laws and intellectual property rights. Platforms offering free downloads often operate within legal boundaries, ensuring that the materials they provide are either in the public domain or authorized for distribution. By adhering to copyright laws, users can enjoy the benefits of free access to knowledge while supporting the authors and publishers who make these resources available. In conclusion, the availability of Isuzu Npr Purple Wire free PDF books and manuals for download has revolutionized the way we access and consume knowledge. With just a few clicks, individuals can explore a vast collection of resources across different disciplines, all free of charge. This accessibility empowers individuals to become lifelong learners, contributing to personal growth, professional development, and the advancement of society as a whole. So why not unlock a world of knowledge today? Start exploring the vast sea of free PDF books and manuals waiting to be discovered right at your fingertips.

FAQs About Isuzu Npr Purple Wire Books

What is a Isuzu Npr Purple Wire PDF? A PDF (Portable Document Format) is a file format developed by Adobe that preserves the layout and formatting of a document, regardless of the software, hardware, or operating system used to view or print it. **How do I create a Isuzu Npr Purple Wire PDF?** There are several ways to create a PDF: Use software like Adobe Acrobat, Microsoft Word, or Google Docs, which often have built-in PDF creation tools. Print to PDF: Many applications and operating systems have a "Print to PDF" option that allows you to save a document as a PDF file instead of printing it on paper. Online converters: There are various online tools that can convert different file types to PDF. **How do I edit a Isuzu Npr Purple Wire PDF?** Editing a PDF can be done with software like Adobe Acrobat, which allows direct editing of text, images, and other elements within the PDF. Some free tools, like PDFescape or Smallpdf, also offer basic editing capabilities. **How do I convert a Isuzu Npr Purple Wire PDF to another file format?** There are multiple ways to convert a PDF to another format: Use online converters like Smallpdf, Zamzar, or Adobe Acrobats export feature to convert PDFs to formats like Word, Excel, JPEG, etc. Software like Adobe Acrobat, Microsoft Word, or other PDF editors may have options to export or save PDFs in different formats. **How do I password-protect a Isuzu Npr Purple Wire PDF?** Most PDF editing software allows you to add password protection. In Adobe Acrobat, for instance, you can go to "File" -> "Properties" -> "Security" to set a password to restrict access or editing capabilities. Are there any free alternatives to Adobe Acrobat for working with PDFs? Yes, there are many free alternatives for working with PDFs, such as: LibreOffice: Offers PDF editing features. PDFsam: Allows splitting, merging, and editing PDFs. Foxit Reader: Provides basic PDF viewing and editing

capabilities. How do I compress a PDF file? You can use online tools like Smallpdf, ILovePDF, or desktop software like Adobe Acrobat to compress PDF files without significant quality loss. Compression reduces the file size, making it easier to share and download. Can I fill out forms in a PDF file? Yes, most PDF viewers/editors like Adobe Acrobat, Preview (on Mac), or various online tools allow you to fill out forms in PDF files by selecting text fields and entering information. Are there any restrictions when working with PDFs? Some PDFs might have restrictions set by their creator, such as password protection, editing restrictions, or print restrictions. Breaking these restrictions might require specific software or tools, which may or may not be legal depending on the circumstances and local laws.

Find Isuzu Npr Purple Wire :

manual of mercedes benz ml320 2006

[manual parts for massey ferguson 1010](#)

manual portugues gps garmin 521s

~~manual portugues gps garmin etrex vista~~

manual of the eysenck personality questionnaire

manual perkins 6354

manual removal of sasser

[manual of neonatal care 7th edition cloherty](#)

manual of practical medicine alagappan

manual nokia lumia 510

[manual on combustion engines](#)

[manual peugeot 207 sw escapade 2010](#)

manual piston filler

manual peugeot 106 quiksilver

manual opel vectra b

Isuzu Npr Purple Wire :

color blind test - Mar 10 2023

web are you color blind the ishihara test is a color perception test for red green color deficiencies it was named after its designer shinobu ishihara a professor at the university of tokyo who first published his tests in 1917 the test consists of 38

colored plates each of which contains a circle of dots appearing randomized in color and size

color blind test eyeque the leader in smartphone vision tests - Mar 30 2022

web if you think you have color blindness you can take this quick color blind test to learn more about your color vision at the end of the test you will be asked for your email address to view your results take test take 10 off color blind glasses starting at 229 use code eyeque shop

colorblind cambridge İngilizce sözlüğü ndeki anlamı - Oct 05 2022

web colorblind anlam tanım colorblind nedir 1 us spelling of colour blind 2 unable to see the difference between particular colors daha fazlasını öğren

types of color vision deficiency national eye institute - Aug 03 2022

web aug 7 2023 there are 4 types of red green color vision deficiency deuteranomaly is the most common type of red green color vision deficiency it makes certain shades of green look more red this type is mild and doesn t usually get in the way of normal activities protanomaly makes certain shades of red look more green and less bright

color blind test - May 12 2023

web color blind test check if you have a color vision deficiency by taking our free online test learn more about color blindness their treatments and which type of do you have

types of color blindness all about vision - Jan 08 2023

web feb 24 2021 the types of red green color blindness fall into four different categories protanopia aka red blind individuals have no red cones protanomaly aka red weak individuals have red cones and can usually see some shades of red

color blindness symptoms and causes mayo clinic - Jun 13 2023

web dec 28 2019 color blindness has several causes inherited disorder inherited color deficiencies are much more common in males than in females the most common color deficiency is red green with blue yellow deficiency being much less common it is rare to have no color vision at all you can inherit a mild moderate or severe degree of the

color blindness national eye institute - Feb 09 2023

web aug 11 2023 if you have color blindness color vision deficiency it means you see colors differently than most people most of the time color vision deficiency makes it hard to tell the difference between certain colors usually color vision deficiency runs in families there s no cure but special glasses and contact lenses can help people see

windows 10 da colorblind modu nasıl etkinleştirilir veya devre dışı - Nov 06 2022

web mar 4 2019 colorblind mode windows 10 da nasıl kullanılır renk körü modu nu kapatmak kapatmak için klavye kısayolunu kullanma renk körü modunu kapatmak kapatmak için ayarları kullanın renk körü modu nu kapatmak kapatmak için reg dosyasını kullan her birine ayrıntılı olarak bir göz atalım

test your color vision color blind test 2023 updated - Dec 07 2022

web a reverse color blind test is a version of the ishihara color test that is typically easily solved by someone who is color blind someone with normal vision would have difficulty seeing the number in the center of the image if you fail a reverse color blind test you most likely have normal full color vision

ed sheeran colourblind official video youtube - Feb 26 2022

web may 5 2023 subtract visual album premiere may 5th 4pm bst es lnk to subtractvisualpremieresubtract the new album out now es lnk to subtractsubscri

color blindness wikipedia - Jul 14 2023

web red green color blindness is the most common form followed by blue yellow color blindness and total color blindness 2 red green color blindness affects up to 1 in 12 males 8 and 1 in 200 females 0 5 2 4 the ability to

1 online color blind test test for color vision deficiency - Apr 11 2023

web the enchroma color blind test is a proprietary color blind test designed to determine a person s type and level of color blindness created by enchroma an independent company based in california the enchroma color blind test is the 1 online color blind test for color vision deficiency taken by more than one million people worldwide

colorblindsim a color blindness simulator web app - Jan 28 2022

web colorblindsim color blindness affects approximately 1 in 22 people globally experience the world as they do right from your browser get started colorblindsim will ask for your permission to use your camera code on github

3 types of color blindness symptoms tests treatments - Jul 02 2022

web sep 13 2023 red green color blindness is the most common type this condition is genetic but can also develop due to eye disease it occurs when a person has an impairment in a red cone or green cone pigment perception people who are red green color blind tend to confuse purple blue green orange and red

what is color blindness american academy of ophthalmology - Jun 01 2022

web sep 26 2022 sep 26 2022 color blindness occurs when you are unable to see colors in a normal way it is also known as color deficiency color blindness often happens when someone cannot distinguish between certain colors this usually happens between greens and reds and occasionally blues in the retina there are two types of cells that detect light

ed sheeran colourblind official lyric video youtube - Dec 27 2021

web may 4 2023 new album subtract out now es lnk to subtractidssubscribe to ed s channel bit ly subscribetoedsheeranfollow ed on instagram insta

racial color blindness wikipedia - Apr 30 2022

web racial color blindness refers to the belief that a person s race or ethnicity should not influence their legal or social

treatment in society the multicultural psychology field generates four beliefs that constitute the racial color blindness approach the four beliefs are as follows 1 skin color is superficial and irrelevant to the quality

enchroma free color blind test test your color vision - Aug 15 2023

web take the free enchroma color blind test to accurately assess your color perception the results provide a recommendation for enchroma color blind glasses

colorblind english meaning cambridge dictionary - Sep 04 2022

web colorblind definition 1 us spelling of colour blind 2 unable to see the difference between particular colors learn more

[incantations songs spells and images by mayan wom pdf](#) - Feb 15 2022

web oct 18 2023 songs spells and images by mayan wom but stop happening in harmful downloads rather than enjoying a good ebook following a cup of coffee in the afternoon

incantations songs spells and images by mayan women by - Mar 19 2022

web the following five pages and page 89 feature work from incantations songs spells and images by mayan women forthcoming in october from cinco puntos press the book

incantations songs spells and images by mayan wom pdf - Jan 17 2022

web sep 19 2023 incantations songs spells and images by mayan wom 2 9 downloaded from uniport edu ng on september 19 2023 by guest magic spells and incantations

incantations songs spells and images by mayan wom - Nov 26 2022

web with spells drawn from the museum of witchcraft s extensive library you will discover a variety of simple and complex magical workings including a fascinating

incantations songs spells and images by mayan wom pdf - Jul 23 2022

web incantations songs spells and images by mayan wom 3 3 include the best selling work of Ángeles mastretta elena poniatowska and laura esquivel as well as the social and

[incantations songs spells and images by mayan women](#) - Jan 29 2023

web incantations songs spells and images by mayan women on amazon com au free shipping on eligible orders incantations songs spells and images by mayan women

incantations songs spells and images by mayan wom margot - May 01 2023

web kindly say the incantations songs spells and images by mayan wom is universally compatible with any devices to read taken from the lips sylvia marcos 2006 this

[incantations songs spells and images by mayan women jstor](#) - Oct 06 2023

web incantations songs spells and images by mayan women forthcoming in october from cinco puntos press the book is a

trade edition of incantations by mayan women a

incantations songs spells and images by mayan wom - Dec 28 2022

web incantations like this poems about birth love hate sex despair and death coupled with primitive illustrations provide a compelling insight into the psychology of these mayan

incantations songs spells and images by mayan wom annette - Dec 16 2021

web incantations songs spells and images by mayan wom incantations songs spells and images by mayan wom 3 downloaded from donate pfi org on 2022 10 25 by guest the

incantations songs spells and images by mayan wom copy - Apr 19 2022

web sep 24 2023 incantations songs spells and images by mayan wom is available in our digital library an online access to it is set as public so you can download it instantly our

incantations song spells and images by mayan women - Mar 31 2023

web nov 1 2009 the mayan women s hymns and songs resonate with the surviving codices and give rise to a profound understanding of how poetry and song were used in pre

incantations songs spells and images by mayan wom 2023 - Jun 21 2022

web incantations songs spells and images by mayan wom downloaded from cdn writermag com by guest yamilet asher inventing superstition calvary rock

incantations songs spells and images by mayan women - Aug 04 2023

web jan 1 2014 incantations like this poems about birth love hate sex despair and death coupled with primitive illustrations provide a compelling insight into the

incantations songs spells and images by mayan wom pdf - Jul 03 2023

web incantations songs spells and images by mayan wom incantations songs spells and images by mayan wom 2 downloaded from ead3 archivists org on 2022 05 18 by

incantations songs spells and images by mayan wom pdf - Oct 26 2022

web sep 26 2023 incantations songs spells and images by mayan wom and numerous book collections from fictions to scientific research in any way in the course of them is

incantations songs spells and images by mayan wom pdf - Sep 24 2022

web oct 5 2023 of guides you could enjoy now is incantations songs spells and images by mayan wom below dream medicine kimberly r mascaro 2021 10 21 this book

incantations songs spells and images by mayan women - Jun 02 2023

web incantations like this 8212 poems about birth love hate sex despair and death 8212 coupled with primitive illustrations

provide a compelling insight into the

[incantations songs spells and images by mayan wom pdf](#) - Aug 24 2022

web sep 27 2023 incantations songs spells and images by mayan wom is available in our digital library an online access to it is set as public so you can download it instantly our

[incantations songs spells and images by mayan women](#) - Feb 27 2023

web incantations like this poems about birth love hate sex despair and death coupled with primitive illustrations provide a compelling insight into the psychology of these mayan

incantations songs spells and images by mayan women - Sep 05 2023

web jun 1 2009 amazon com incantations songs spells and images by mayan women 9781933693095 ambar past xpetra ernandex xalik guzmán bakbolom books start

loading interface goodreads - May 21 2022

web discover and share books you love on goodreads

national senior certificate - Dec 24 2022

web grade 12 life sciences p1 preparatory examination september 2021 1 2 give the correct biological term for each of the following descriptions write only the term next to the question number 1 2 1 to 1 2 9 in the answer book grade 12 2 1 2 4

life sciences grade 12 stanmore secondary - May 29 2023

web 2023 march qp and memo nsc may june p1 and memo nsc may june p2 and memo lp pre june qp and memo kzn pre june qp and memo fs sept p2 and memo nw sept p2 and memo kzn sept p1 and memo

biology grade 12 memorandum p1 ai classmonitor com - Apr 15 2022

web 2 biology grade 12 memorandum p1 2023 07 03 published originally as a paper on communication theory more than fifty years ago republished in book form shortly thereafter it has since gone through four hardcover and sixteen paperback printings it is a revolutionary work astounding in its foresight and contemporaneity

preparatory examination grade 12 - Feb 23 2023

web grade 12 life sciences p1 september 2022 1 2 give the correct biological term for each of the following descriptions write only the term next to the question number 1 2 1 to 1 2 10 in the answer book 1 2 1 the hormone secretion from the islets of langerhans that lowers

[12 sınıf biyoloji ders bilgileri mef okulları](#) - Jul 31 2023

web 12 sınıf biyoloji ders bilgileri Ünİte 1 genden proteİne 1 nükleik asitlerin keşfi ve Önemi 2 genetik şİfre ve protein sentezi Ünİte 2 bitkİ biyolojİsİ 1 bitkilerin yapısı büyüme ve hareket 2 bitkilerde madde taşınması 3 bitkilerde eşeyli Üreme Ünİte 3 komÜnİte ve populasyon ekolojİsİ 1

[life sciences p1 memo gr11 nov 2020 eng studocu](#) - Aug 20 2022

web nov 11 2020 life sciences p1 memo gr11 nov 2020 eng test university of south africa course basic biology blg1501 112 documents students shared 112 documents in this course academic year 2021 2022 uploaded by anonymous student this document has been uploaded by a student just like you who decided to remain anonymous

12 sınıf biyoloji konuları 2023 2024 meb başarı sıralamaları - Nov 22 2022

web sınıf konuları 12 sınıf lise biyoloji konuları ve ünitelere göre dağılımları meb milli eğitim bakanlığı in güncellediği yeni müfredat doğrultusunda aşağıda ki tabloda verilmiştir güncel 2023 2024 12 sınıf biyoloji konuları 12 sınıf biyoloji ortak sınav konu ve soru dağılımları için tıklayınız

[life sciences grade 12 trial 2021 p1 and memo studocu](#) - Jan 25 2023

web life sciences grade 12 trial 2021 p1 and memo copyright reserved marks 150 time 2 1 2 hours studocu teaching practice life sciences downloaded from stanmorephysics com national senior certificate grade 12 life sciences p1 preparatory examination september skip to document

[life sciences p1 september 2023 memorandum grade 12](#) - Jun 29 2023

web oct 5 2023 this blog post of life sciences p1 september 2022 memorandum grade 12 will briefly summarize what s included in the memo the memorandum for life sciences p2 covers three topics cell organization metabolism and inheritance each of these topic areas will be explored in more depth below

[life sciences grade 12 p1 memo docmerit](#) - Sep 20 2022

web sep 23 2022 biology is the study of everything that is or was once alive whether it s a plant animal or microorganism now heat your frozen memory with this question paper and memorandum

12 sınıf biyoloji 1 dönem 1 yazılı soruları hangisoru com - Mar 15 2022

web yazılı soruları 2020 2021 12 sınıf biyoloji 1 dönem 1 yazılı soruları ve cevapları indir 12 sınıf biyoloji güncel müfredata uygun 1 dönem 1 yazılı soruları klasik ve test soru tipleri ile hazırlanmıştır klasik sorular anadolu fen meslek imam hatip liseleri için uygun biyoloji 1 dönem 1 yazılı soruları

[nsc life sciences grade 12 november 2022 p1 and memo](#) - Jun 17 2022

web nov 12 2022 nsc life sciences grade 12 november 2022 p1 and memo downloaded from stanmorephysics com basic education department basic education republic of south africa national senior certificate marks 150 time 2 1 2 hours stanmorephysics this question paper consists of 17 pages copyright reserved please

[limpopo life sciences grade 12 sept 2022 p1 and memo](#) - Mar 27 2023

web sep 12 2022 limpopo life sciences grade 12 sept 2022 p1 and memo science university of south africa course basic biology blg1501 111 documents students shared 111 documents in this course academic year 2021 2022 comments please

sign in or register to post comments recommended for you 1 anaerobic respiration fact

latest biology grade 12 past papers memos and study guides - Sep 01 2023

web latest biology grade 12 past papers memos and study guides for 2021 2020 2019 and more on this page you will find learning materials previous papers notes lessons practicals assessments sba assignment questions and answer memos tests and research tasks for caps and ieb the independent examinations board or ieb is a

grade 12 life sciences notes question - Apr 27 2023

web life sciences memo p 2 life sciences grade 12 2017 june life sciences papers p 1 life sciences memo p 1 life sciences papers p 2 life sciences memo p 2 life sciences grade 12 2016 november life sciences grade 12 2016 june life sciences grade 12 2015 november life sciences grade 12 2015 june life sciences grade 12 2014 november life

grade 12 life sciences past papers and memos - Oct 02 2023

web 10831 life sciences p1 afrikaans memo past paper ecolebooks com pdf 10831 life sciences p1 afrikaans x5 past paper ecolebooks com pdf 10831 life sciences p1 english memo past paper ecolebooks com pdf 10831 life sciences p1 english x5 past paper ecolebooks com pdf 10832 life

12 sınıf biyoloji 1 dönem 1 yazılı soruları açık uçlu 2023 2024 - Feb 11 2022

web seçkin sınavlardan derlenen 2023 2024 12 sınıf biyoloji 1 dönem 1 yazılı soruları ve cevapları yer almaktadır 12 sınıf biyoloji 1 dönem 1 yazılı soruları cevap anahtarlı test klasik ve boşluk doldurma şeklinde kategoriye eklenmiştir 12 sınıf biyoloji 1 dönem 1 yazılı soruları açık uçlu 2023 2024

life sciences p1 memo gr11 nov2022 english studocu - Jul 19 2022

web limpopo life sciences grade 12 sept 2022 p1 and memo life sciences grade 12 past papers 2018 2022 lesson 14 biodiversity anaerobic respiration fact recall biology bio 1121 unit 2 written assignment blg1501 tutorial guide for blg 2022 academic year all necessary information provided lscall 1 301 4 2019 lecture notes

life sciences p1 grade 12 memorandum nsc exams past - Oct 22 2022

web dec 10 2021 life sciences p1 grade 12 memorandum nsc exams past papers and memos september 2019 preparatory examinations

meiosis grade 12 notes life sciences study guides - May 17 2022

web aug 18 2021 grade 12 what the chapter entails what is meiosis the process of meiosis in animal cells first meiotic division second meiotic division the significance of meiosis abnormal meiosis differences between meiosis i and meiosis ii worked example activity 1 chapter 2 meiosis 2 1 what is meiosis