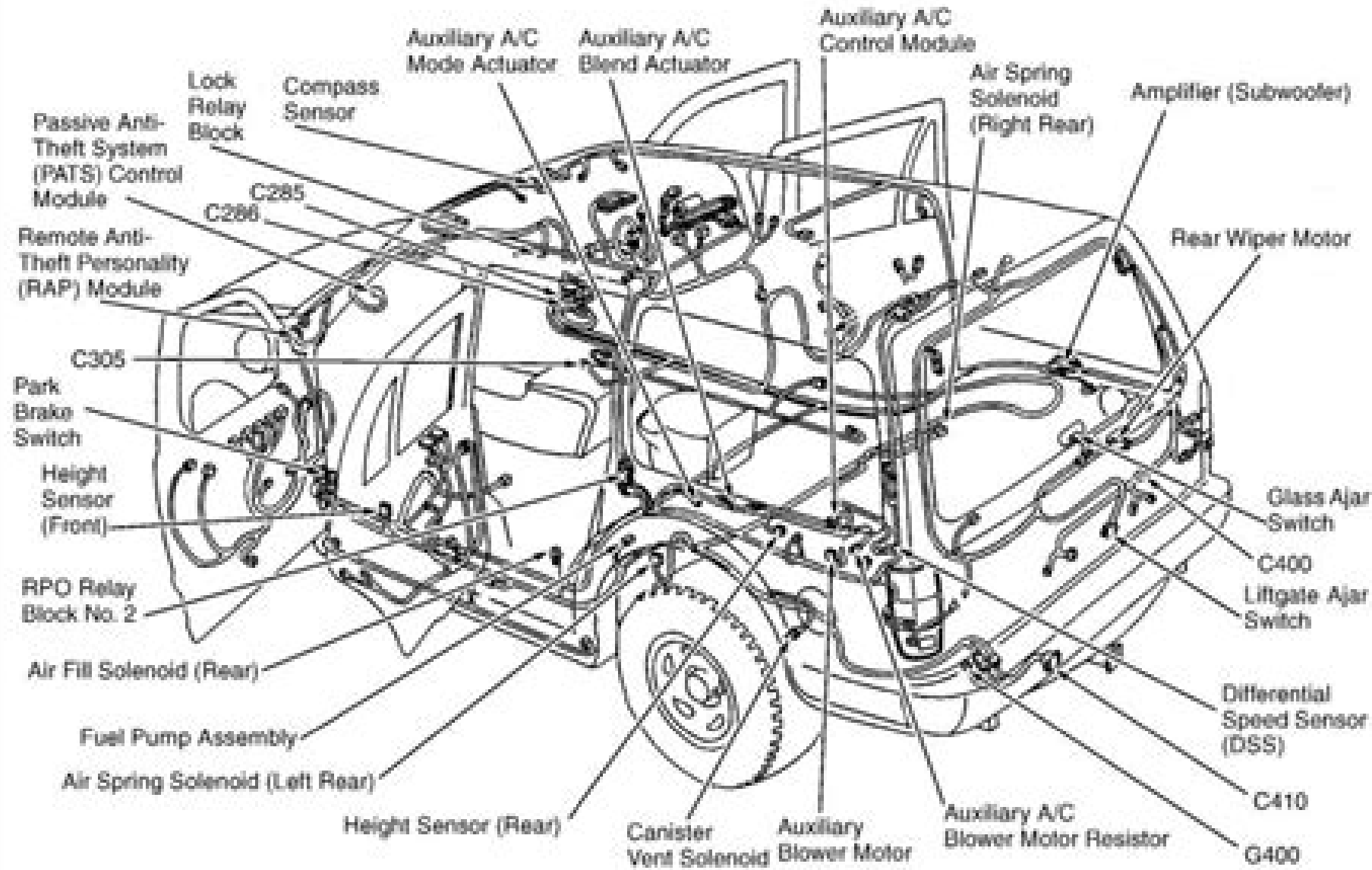


Fig 6: Vehicle Overview



Lincoln Navigator Auto Parts User Manual

JE Gale



Lincoln Navigator Auto Parts User Manual:

Unveiling the Magic of Words: A Report on "**Lincoln Navigator Auto Parts User Manual**"

In a global defined by information and interconnectivity, the enchanting power of words has acquired unparalleled significance. Their ability to kindle emotions, provoke contemplation, and ignite transformative change is actually awe-inspiring. Enter the realm of "**Lincoln Navigator Auto Parts User Manual**," a mesmerizing literary masterpiece penned with a distinguished author, guiding readers on a profound journey to unravel the secrets and potential hidden within every word. In this critique, we shall delve into the book's central themes, examine its distinctive writing style, and assess its profound effect on the souls of its readers.

<https://splashdogs.com/About/scholarship/default.aspx/Ipod%20Nano%204th%20Generation%208gb%20Manual.pdf>

Table of Contents Lincoln Navigator Auto Parts User Manual

1. Understanding the eBook Lincoln Navigator Auto Parts User Manual
 - The Rise of Digital Reading Lincoln Navigator Auto Parts User Manual
 - Advantages of eBooks Over Traditional Books
2. Identifying Lincoln Navigator Auto Parts User Manual
 - Exploring Different Genres
 - Considering Fiction vs. Non-Fiction
 - Determining Your Reading Goals
3. Choosing the Right eBook Platform
 - Popular eBook Platforms
 - Features to Look for in a Lincoln Navigator Auto Parts User Manual
 - User-Friendly Interface
4. Exploring eBook Recommendations from Lincoln Navigator Auto Parts User Manual
 - Personalized Recommendations
 - Lincoln Navigator Auto Parts User Manual User Reviews and Ratings
 - Lincoln Navigator Auto Parts User Manual and Bestseller Lists

5. Accessing Lincoln Navigator Auto Parts User Manual Free and Paid eBooks
 - Lincoln Navigator Auto Parts User Manual Public Domain eBooks
 - Lincoln Navigator Auto Parts User Manual eBook Subscription Services
 - Lincoln Navigator Auto Parts User Manual Budget-Friendly Options
6. Navigating Lincoln Navigator Auto Parts User Manual eBook Formats
 - ePub, PDF, MOBI, and More
 - Lincoln Navigator Auto Parts User Manual Compatibility with Devices
 - Lincoln Navigator Auto Parts User Manual Enhanced eBook Features
7. Enhancing Your Reading Experience
 - Adjustable Fonts and Text Sizes of Lincoln Navigator Auto Parts User Manual
 - Highlighting and Note-Taking Lincoln Navigator Auto Parts User Manual
 - Interactive Elements Lincoln Navigator Auto Parts User Manual
8. Staying Engaged with Lincoln Navigator Auto Parts User Manual
 - Joining Online Reading Communities
 - Participating in Virtual Book Clubs
 - Following Authors and Publishers Lincoln Navigator Auto Parts User Manual
9. Balancing eBooks and Physical Books Lincoln Navigator Auto Parts User Manual
 - Benefits of a Digital Library
 - Creating a Diverse Reading Collection Lincoln Navigator Auto Parts User Manual
10. Overcoming Reading Challenges
 - Dealing with Digital Eye Strain
 - Minimizing Distractions
 - Managing Screen Time
11. Cultivating a Reading Routine Lincoln Navigator Auto Parts User Manual
 - Setting Reading Goals Lincoln Navigator Auto Parts User Manual
 - Carving Out Dedicated Reading Time
12. Sourcing Reliable Information of Lincoln Navigator Auto Parts User Manual
 - Fact-Checking eBook Content of Lincoln Navigator Auto Parts User Manual
 - Distinguishing Credible Sources
13. Promoting Lifelong Learning

- Utilizing eBooks for Skill Development
 - Exploring Educational eBooks
14. Embracing eBook Trends
- Integration of Multimedia Elements
 - Interactive and Gamified eBooks

Lincoln Navigator Auto Parts User Manual Introduction

In the digital age, access to information has become easier than ever before. The ability to download Lincoln Navigator Auto Parts User Manual has revolutionized the way we consume written content. Whether you are a student looking for course material, an avid reader searching for your next favorite book, or a professional seeking research papers, the option to download Lincoln Navigator Auto Parts User Manual has opened up a world of possibilities. Downloading Lincoln Navigator Auto Parts User Manual provides numerous advantages over physical copies of books and documents. Firstly, it is incredibly convenient. Gone are the days of carrying around heavy textbooks or bulky folders filled with papers. With the click of a button, you can gain immediate access to valuable resources on any device. This convenience allows for efficient studying, researching, and reading on the go. Moreover, the cost-effective nature of downloading Lincoln Navigator Auto Parts User Manual has democratized knowledge. Traditional books and academic journals can be expensive, making it difficult for individuals with limited financial resources to access information. By offering free PDF downloads, publishers and authors are enabling a wider audience to benefit from their work. This inclusivity promotes equal opportunities for learning and personal growth. There are numerous websites and platforms where individuals can download Lincoln Navigator Auto Parts User Manual. These websites range from academic databases offering research papers and journals to online libraries with an expansive collection of books from various genres. Many authors and publishers also upload their work to specific websites, granting readers access to their content without any charge. These platforms not only provide access to existing literature but also serve as an excellent platform for undiscovered authors to share their work with the world. However, it is essential to be cautious while downloading Lincoln Navigator Auto Parts User Manual. Some websites may offer pirated or illegally obtained copies of copyrighted material. Engaging in such activities not only violates copyright laws but also undermines the efforts of authors, publishers, and researchers. To ensure ethical downloading, it is advisable to utilize reputable websites that prioritize the legal distribution of content. When downloading Lincoln Navigator Auto Parts User Manual, users should also consider the potential security risks associated with online platforms. Malicious actors may exploit vulnerabilities in unprotected websites to distribute malware or steal personal information. To protect themselves, individuals should ensure their devices have reliable antivirus software installed and validate the legitimacy of the websites

they are downloading from. In conclusion, the ability to download Lincoln Navigator Auto Parts User Manual has transformed the way we access information. With the convenience, cost-effectiveness, and accessibility it offers, free PDF downloads have become a popular choice for students, researchers, and book lovers worldwide. However, it is crucial to engage in ethical downloading practices and prioritize personal security when utilizing online platforms. By doing so, individuals can make the most of the vast array of free PDF resources available and embark on a journey of continuous learning and intellectual growth.

FAQs About Lincoln Navigator Auto Parts User Manual Books

1. Where can I buy Lincoln Navigator Auto Parts User Manual books? Bookstores: Physical bookstores like Barnes & Noble, Waterstones, and independent local stores. Online Retailers: Amazon, Book Depository, and various online bookstores offer a wide range of books in physical and digital formats.
2. What are the different book formats available? Hardcover: Sturdy and durable, usually more expensive. Paperback: Cheaper, lighter, and more portable than hardcovers. E-books: Digital books available for e-readers like Kindle or software like Apple Books, Kindle, and Google Play Books.
3. How do I choose a Lincoln Navigator Auto Parts User Manual book to read? Genres: Consider the genre you enjoy (fiction, non-fiction, mystery, sci-fi, etc.). Recommendations: Ask friends, join book clubs, or explore online reviews and recommendations. Author: If you like a particular author, you might enjoy more of their work.
4. How do I take care of Lincoln Navigator Auto Parts User Manual books? Storage: Keep them away from direct sunlight and in a dry environment. Handling: Avoid folding pages, use bookmarks, and handle them with clean hands. Cleaning: Gently dust the covers and pages occasionally.
5. Can I borrow books without buying them? Public Libraries: Local libraries offer a wide range of books for borrowing. Book Swaps: Community book exchanges or online platforms where people exchange books.
6. How can I track my reading progress or manage my book collection? Book Tracking Apps: Goodreads, LibraryThing, and Book Catalogue are popular apps for tracking your reading progress and managing book collections. Spreadsheets: You can create your own spreadsheet to track books read, ratings, and other details.
7. What are Lincoln Navigator Auto Parts User Manual audiobooks, and where can I find them? Audiobooks: Audio recordings of books, perfect for listening while commuting or multitasking. Platforms: Audible, LibriVox, and Google Play Books offer a wide selection of audiobooks.

8. How do I support authors or the book industry? Buy Books: Purchase books from authors or independent bookstores. Reviews: Leave reviews on platforms like Goodreads or Amazon. Promotion: Share your favorite books on social media or recommend them to friends.
9. Are there book clubs or reading communities I can join? Local Clubs: Check for local book clubs in libraries or community centers. Online Communities: Platforms like Goodreads have virtual book clubs and discussion groups.
10. Can I read Lincoln Navigator Auto Parts User Manual books for free? Public Domain Books: Many classic books are available for free as they're in the public domain. Free E-books: Some websites offer free e-books legally, like Project Gutenberg or Open Library.

Find Lincoln Navigator Auto Parts User Manual :

ipod nano 4th generation 8gb manual

[ipod 3rd gen manual](#)

ipad users guide

[ipod nano 4th generation instruction manual](#)

[iphone 5 user manual](#)

~~iran contra multiple choice questions~~

[ipod touch user guide 4th gen](#)

~~ip office 500 embedded voicemail user guide~~

[iowa algebra 1 eoc](#)

ipod nano hard reset 4th gen

~~ire3180c canon service manual~~

~~ir3300 error code 0003~~

ipad frozen reset doesn't work

iquestlos priacutencipes llevan birkenstocks spanish edition

ipad 2 manual deutsch

Lincoln Navigator Auto Parts User Manual :

only when i larf apple tv uk - Sep 01 2022

web available on itunes only when i larf is a 1968 british comedy directed by basil dearden it is adapted from the novel only

when i larf by len deighton and features richard attenborough david hemmings and alexandra stewart

only when i larf movie 1968 official trailer dailymotion - Apr 27 2022

web jan 31 2023 only when i larf movie 1968 official trailer justwatch follow a master conman leads a pair of british accomplices on an international adventure of highly profitable dirty tricks dg1fck9jstdlftngvw8 browse more videos

only when i larf 1968 film silver sirens - Mar 27 2022

web only when i larf 1968 1968 film colour adventure comedy crime 1h 44min stars richard attenborough david hemmings alexandra stewart director basil dearden the adventures of three confidence tricksters these three do everything together everything across three continents as they get away with every job they pull almost

only when i larf 1968 release info imdb - May 29 2022

web only when i larf argentina los cazafortunas australia only when i larf brazil no mundo dos escroques france trio d escrocs hungary szélmások és palimadarak italy solo quando rido mexico los cazafortunas poland tylko wtedy gdy się śmieje portugal negócios em três continentes spain el código de los inmorales

only when i larf 1968 imdb - Sep 13 2023

web only when i larf directed by basil dearden with richard attenborough david hemmings alexandra stewart nicholas pennell a master conman leads a pair of british accomplices on an international adventure of highly profitable dirty tricks

only when i larf 1968 full cast crew imdb - Mar 07 2023

web only when i larf 1968 cast and crew credits including actors actresses directors writers and more

only when i larf 1968 imdb - Jan 05 2023

web only when i larf 1968

only when i larf film wikiwand - May 09 2023

web only when i larf is a 1968 british light hearted comedy crime drama directed by basil dearden and starring richard attenborough david hemmings and alexandra stewart it is adapted from the 1968 novel only when i larf by len deighton and features attenborough as an ex brigadier con man in a variety of guises

only when i larf apple tv - Dec 04 2022

web only when i larf apple tv available on itunes a master conman leads a pair of british accomplices on an international adventure of highly profitable dirty tricks comedy 1968 1 hr 45 min unrated starring richard attenborough david hemmings alexandra stewart director basil dearden trailers only when i larf cast crew

only when i larf 1968 user reviews imdb - Feb 06 2023

web chrisdl heath 25 january 2003 this is a glossy tongue in cheek tale of two conmen and their girlfriend accomplice constantly trying to keep one step a head of the game with mixed success a love triangle develops as the young protege tries

to take over from his old mentor and to steal his girlfriend to boot

only when i larf streaming where to watch online justwatch - Feb 23 2022

web you can rent only when i larf on amazon videoonline synopsis a master conman leads a pair of british accomplices on an international adventure of highly profitable dirty tricks

prime video only when i larf - Jul 11 2023

web g comedy drama cheerful strange this video is currently unavailable to watch in your location only when i larf is a 1968 british comedy directed by basil dearden it is adapted from the novel only when i larf by len deighton and features richard attenborough david hemmings and alexandra stewart

only when i larf trailer youtube - Jul 31 2022

web feb 9 2015 only when i larf trailer paramount movies digital 130k subscribers subscribe like share save 14k views 8 years ago a master conman leads a pair of

only when i larf 1968 bfi - Apr 08 2023

web only when i larf 1968 1968 united kingdom directed by basil dearden produced by len deighton brian duffy written by john salmon featuring

only when i larf movie watch streaming online justwatch - Jan 25 2022

web only when i larf movie watch streaming online sign in to sync watchlist rating 67 5 9 genres action adventure comedy crime runtime 1h 44min age rating g production country united kingdom director basil dearden only when i larf 1968 watch now buy ca 14 99 promoted watch now filters best price free sd

only when i larf rotten tomatoes - Nov 03 2022

web british con artists two men richard attenborough david hemmings and woman alexandra stewart end up conning one another on an arms deal scam in lebanon rating g genre comedy crime

only when i larf variety - Oct 02 2022

web only when i larf is a pleasant little joke based on a len deighton novel and rather less complicated than some of his other work with sound unfussy direction and witty observed thesping

only when i larf film wikipedia - Aug 12 2023

web only when i larf is a 1968 british light hearted comedy crime drama directed by basil dearden and starring richard attenborough david hemmings and alexandra stewart it is adapted from the 1968 novel only when i larf by len deighton and features attenborough as an ex brigadier con man in a variety of guises

only when i larf 1968 basil dearden allmovie - Jun 29 2022

web directed by basil dearden genres comedy sub genres crime comedy slapstick release date oct 23 1968 usa unknown run

time 103 min countries united kingdom mpaa rating g allmovie rating 6 user ratings 0 your rating overview user reviews cast crew related share on facebook twitter synopsis by hal

only when i larf 1968 the movie database tmdb - Jun 10 2023

web overview a master conman leads a pair of british accomplices on an international adventure of highly profitable dirty tricks basil dearden director len deighton novel john salmon screenplay richard attenborough david hemmings edric connor clifton jones calvin lockhart view more full cast crew social reviews 0 discussions 0

alpha 20 un agent secret belge raconte pdf uniport edu - Aug 03 2022

web aug 2 2023 alpha 20 un agent secret belge raconte 1 14 downloaded from uniport edu ng on august 2 2023 by guest alpha 20 un agent secret belge raconte this is likewise one of the factors by obtaining the soft documents of this alpha 20 un agent secret belge raconte by online you might not require more epoch to spend to go to the

[alpha 20 un agent secret belge raconte softcover](#) - Mar 10 2023

web abebooks com alpha 20 un agent secret belge raconte 9782874662867 and a great selection of similar new used and collectible books available now at great prices

alpha 20 un agent secret belge raconte eur 57 94 - Feb 09 2023

web alpha 20 un agent secret belge raconte eur 57 94 achat immédiat livraison gratuite 30 jour retours garantie client ebay vendeur ammareal 27 605 99 1 lieu où se trouve france fr lieu de livraison worldwide numéro de l objet 266165998666

alpha 20 un agent secret belge raconte le monde de kamélia - Oct 05 2022

web découvrez alpha 20 un agent secret belge raconte en vente sur le monde de kamélia livres neufs et d occasion recyclage de produits culturels

alpha 20 un agent secret belge raconte Éditions pixl - Jul 14 2023

web alpha 20 un agent secret belge raconte témoignages kris daels saviez vous qu en belgique il y a des agents de renseignements actifs travaillant de la même manière que ceux du fbi isbn 978 2 87466 286 7 date de parution 2016 collection témoignages prix

alpha 20 un agent secret belge raconte copy - Sep 04 2022

web alpha 20 un agent secret belge raconte 5 5 lauvergeon et de gérard arbola marc eichinger dénonce la corruption de l administration française au sommet et soulève l immunité accordée aux énarques alpha 20 boomerang Éditeur jeunesse includes entries for maps and atlases annuaire du spectacle théâtre cinéma musique radio

alpha 20 un agent secret belge raconte 2874662860 cultura - Jun 13 2023

web alpha 20 un agent secret belge raconte aux éditions pixl mes réservations choisissez un magasin bonjour identifiez vous mon panier menu tout le catalogue tout le catalogue livres de bien Être livre de développement personnel livres sur les huiles

essentielles livre de lithothérapie livres sur l'éсотérisme livre sur les

saison 7 épisode 20 réponses armées téléobs - Mar 30 2022

web saison 3 episode 13 15 jusqu'à ce que la mort nous sépare lundi 18 septembre 2023 à 23h55 sur chérie 25 saison 3 episode 14 15 les liens du sang jeudi 21 septembre 2023 à 21h05 sur chérie 25 saison 3 episode 15 15 les liens du sang jeudi 21 septembre 2023 à 22h00 sur chérie 25 saison 2 episode 14 15 sous le sceau du

alpha 20 un agent secret belge raconte amazon fr - Aug 15 2023

web noté 5 retrouvez alpha 20 un agent secret belge raconte et des millions de livres en stock sur amazon fr achetez neuf ou d'occasion

alpha 20 un agent secret belge raconte copertina flessibile - Nov 06 2022

web compra alpha 20 un agent secret belge raconte spedizione gratuita su ordini idonei

alpha 20 un agent secret belge raconte de daels kris recyclivre - Dec 07 2022

web alpha 20 un agent secret belge raconte de daels kris achats de livres à petits prix livraison gratuite en france 1 million de livres en stock recyclivre rachète et collecte gratuitement vos livres dans toute la france

alpha 20 un agent secret belge raconte eur 54 99 - Jan 08 2023

web alpha 20 un agent secret belge raconte eur 54 99 À vendre Édition 2014 format relié produit d'occasion ammareal est une entreprise éco citoyenne Édition 266207060733

alpha 20 un agent secret belge raconte pdf uniport edu - Feb 26 2022

web aug 6 2023 you could buy lead alpha 20 un agent secret belge raconte or acquire it as soon as feasible you could speedily download this alpha 20 un agent secret belge raconte after getting deal

alpha 20 un agent secret belge raconte by kris daels - Jul 02 2022

web jun 15 2023 alpha 20 un agent secret belge raconte by kris daels that you are looking for when individuals should go to the ebook retailers look up start by retail outlet section by section it is in point of certainly troublesome you

alpha 20 un agent secret belge raconte - Jun 01 2022

web alpha 20 un agent secret belge raconte getting the books alpha 20 un agent secret belge raconte now is not type of inspiring means you could not deserted going in the same way as books store or library or borrowing from your links to edit them this is an definitely easy means to specifically get lead by on line this online

alpha 20 un agent secret belge raconte paperback - May 12 2023

web buy alpha 20 un agent secret belge raconte by daels kris isbn 9782874662867 from amazon s book store everyday low prices and free delivery on eligible orders

alpha 20 un agent secret belge raconte pdf uniport edu - Apr 30 2022

web aug 6 2023 alpha 20 un agent secret belge raconte 2 7 downloaded from uniport edu ng on august 6 2023 by guest
onomastic attributes this broad lexicon of names is characterised by plurality and a tendency to build on different sequences
of names therefore the mapping ancient polytheisms project focuses on the process of naming

[alpha 20 un agent secret belge raconte label emmaüs](#) - Apr 11 2023

web la vie au grand jour d un agent secret belge saviez vous qu en belgique il y a des agents de renseignements actifs
report of the global environment facility unfccc - Apr 20 2022

web unido united nations industrial development organization wasp world adaptation science program executive summary 1
the global environment facility gef as

global environment facility united nations - Jun 03 2023

web apr 20 2020 the global environment facility gef is a family of funds dedicated to confronting biodiversity loss climate
change pollution and strains on land and ocean

global environment facility asian development bank - Nov 15 2021

web the global environment facility gef was established on the eve of the 1992 rio earth summit to help tackle our planet s
most pressing environmental problems since then

global environment facility gef unccd - Jun 22 2022

web the global environment facility gef was established in 1991 it comprises of 184 members and works in partnership with
international institutions non governmental

undp gef small grant program calls for proposals 2023 - May 22 2022

web mar 28 2023 the global environment facility of the small grant programme at the united nations development
programme undp gef sgp announces the 2023 call

un careers - Sep 13 2021

web nov 2 2023 the united nations environment programme unep is the leading global environmental authority unep s
industry and economy division works with a

[global environment facility gef small grants programme](#) - Mar 20 2022

web the small grants programme sgp is a corporate programme of the global environment facility gef that provides financial
and technical support to local communities civil

undp and rare announce partnership to address plastic pollution - Feb 16 2022

web may 10 2023 the global environment facility small grants programme gef sgp implemented by the undp and the rare s
center for behavior and the environment

global environment facility a trusted partner in united nations - Jan 30 2023

web dec 9 2021 the role of the global environment facility as a trusted partner of developing countries as they seek to adapt to climate change and shift from fossil fuel

focal areas global environment facility unep - Nov 27 2022

web unep works across all global environment facility focal areas with project portfolios in biodiversity chemicals waste climate change adaptation climate change

world bank group and the global environment facility - Oct 27 2022

web since its founding more than 30 years ago the global environment facility gef has played a pivotal role in addressing the world s most pressing environmental needs co

accelerating innovation and finance launching the global - Aug 13 2021

web oct 19 2023 manila october 2023 in a groundbreaking event the united nations development programme undp in the philippines with funding support from the

undp statement on the launch of the new global biodiversity - Jan 18 2022

web aug 24 2023 the united nations development programme undp commends the global environment facility for the swift creation of a dedicated financing mechanism

global environment facility unep un environment programme - Oct 07 2023

web the global environment facility gef established on the eve of the 1992 rio earth summit is a catalyst for action on the environment and much more through its

report of the global environment facility to the conference of - Sep 25 2022

web unido united nations industrial development organization who world health organization wwf world wildlife fund viii executive summary 1 the global

global environment facility unfccc - Jul 24 2022

web sep 25 2023 the global environment facility gef serves as an operating entity of the financial mechanism under the convention the relationship between the conference of

global environment facility unep un environment programme - Sep 06 2023

web latest news blogpost problems caused by chemical pollution are not as easy to spot story with time running out mexico s mercury miners seek a fresh start story how communal

un calls for global action to turn cities into engines of sustainable - Jul 12 2021

web oct 31 2023 today urban living has already been embraced by more than half of the world s population and un habitat projections indicate that nearly 70 per cent of people

un environment and the global environment facility a natural - Apr 01 2023

web aug 10 2018 publication un environment and the global environment facility a natural partnership for our planet 10
august 2018 as a founding partner of the gef with

projects global environment facility unep - Dec 29 2022

web the global environment facility gef is a multilateral fund dedicated to confronting biodiversity loss climate change
pollution and strains on land and ocean health over

as climate impacts accelerate finance gap for adaptation efforts - Jun 10 2021

web nov 2 2023 about the un environment programme unep unep is the leading global voice on the environment it provides
leadership and encourages partnership in caring

about us global environment facility unep - May 02 2023

web from flagship global gef programmes to full sized projects medium sized projects and enabling activities unep works
across all global environment facility focal areas

what to expect at the next united nations environment assembly - Oct 15 2021

web oct 26 2023 in february 2024 world leaders scientists and representatives from civil society and businesses from
around the world will gather in nairobi kenya for the sixth

global environment facility sustainable development - Dec 17 2021

web aug 29 2002 since rio the global environment facility which i am proud to head has grown from a pilot program to the
largest investor in the global environment gef is

undp deploys record us 500 million of global environment - Feb 28 2023

web jul 3 2023 undp deploys record us 500 million of global environment facility funds to ramp up the fight against
biodiversity loss and climate change resources will be

global environment facility wikipedia - Jul 04 2023

the global environment facility gef is a multilateral environmental fund that provides grants and blended finance for projects
related to biodiversity climate change international waters land degradation persistent organic pollutants pops mercury
sustainable forest management food security and sustainable cities in developing countries it is the largest source of
multilateral funding for

who and undp launch us 17 85 million global environment - Aug 25 2022

web jul 26 2023 the united nations development programme undp and the world health organization who are launching a
new partnership today to support four countries

gef seventh assembly 2023 united nations development - Aug 05 2023

web aug 26 2023 the seventh assembly of the global environment facility gef taking place in vancouver canada from august

22 to 26 2023 is an opportunity for significant