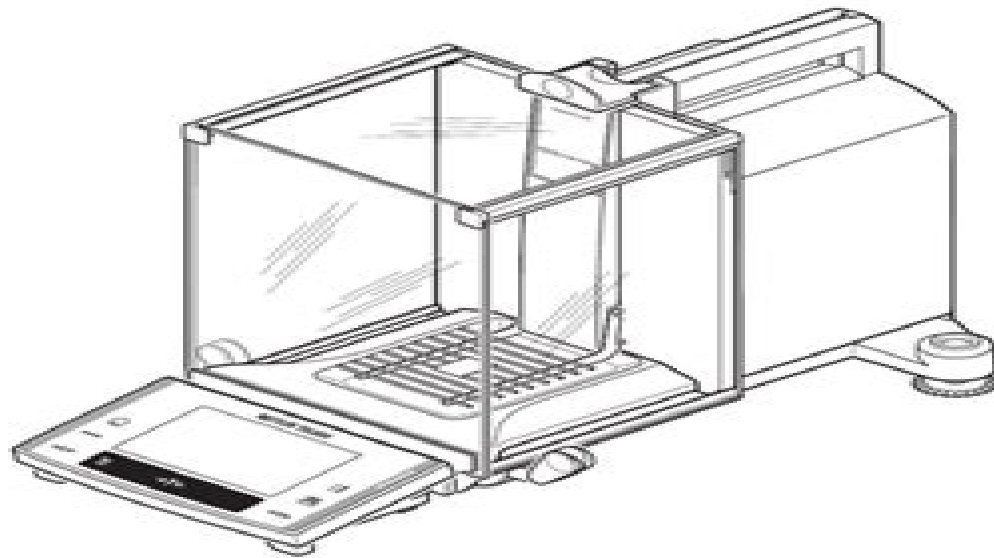


METTLER TOLEDO

Operating Instructions

METTLER TOLEDO

Excellence XS Analytical Balances



Mettler Toledo 8450 Scale Manual

**Mettler-Toledo, Inc. Office of Weights
and Measures**

Mettler Toledo 8450 Scale Manual:

Scale Test Procedures Manual Mettler-Toledo, Inc. Office of Weights and Measures,1996 Reference Manual of Toledo
Industrial Scales and Precision Devices Canadian Toledo Scale Company,1947 **Operator's Manual** ,1985 **8450,**
8650 and 8850 Tractors Deere & Company,1985 **8450, 8650 and 8850 Tractors** Deere & Company,1985

Reviewing **Mettler Toledo 8450 Scale Manual**: Unlocking the Spellbinding Force of Linguistics

In a fast-paced world fueled by information and interconnectivity, the spellbinding force of linguistics has acquired newfound prominence. Its capacity to evoke emotions, stimulate contemplation, and stimulate metamorphosis is really astonishing. Within the pages of "**Mettler Toledo 8450 Scale Manual**," an enthralling opus penned by a very acclaimed wordsmith, readers embark on an immersive expedition to unravel the intricate significance of language and its indelible imprint on our lives. Throughout this assessment, we shall delve in to the book is central motifs, appraise its distinctive narrative style, and gauge its overarching influence on the minds of its readers.

https://splashdogs.com/results/Resources/HomePages/Honda_Cb400cc_Electrical_Wiring.pdf

Table of Contents Mettler Toledo 8450 Scale Manual

1. Understanding the eBook Mettler Toledo 8450 Scale Manual
 - The Rise of Digital Reading Mettler Toledo 8450 Scale Manual
 - Advantages of eBooks Over Traditional Books
2. Identifying Mettler Toledo 8450 Scale Manual
 - Exploring Different Genres
 - Considering Fiction vs. Non-Fiction
 - Determining Your Reading Goals
3. Choosing the Right eBook Platform
 - Popular eBook Platforms
 - Features to Look for in an Mettler Toledo 8450 Scale Manual
 - User-Friendly Interface
4. Exploring eBook Recommendations from Mettler Toledo 8450 Scale Manual
 - Personalized Recommendations
 - Mettler Toledo 8450 Scale Manual User Reviews and Ratings
 - Mettler Toledo 8450 Scale Manual and Bestseller Lists

5. Accessing Mettler Toledo 8450 Scale Manual Free and Paid eBooks
 - Mettler Toledo 8450 Scale Manual Public Domain eBooks
 - Mettler Toledo 8450 Scale Manual eBook Subscription Services
 - Mettler Toledo 8450 Scale Manual Budget-Friendly Options
6. Navigating Mettler Toledo 8450 Scale Manual eBook Formats
 - ePub, PDF, MOBI, and More
 - Mettler Toledo 8450 Scale Manual Compatibility with Devices
 - Mettler Toledo 8450 Scale Manual Enhanced eBook Features
7. Enhancing Your Reading Experience
 - Adjustable Fonts and Text Sizes of Mettler Toledo 8450 Scale Manual
 - Highlighting and Note-Taking Mettler Toledo 8450 Scale Manual
 - Interactive Elements Mettler Toledo 8450 Scale Manual
8. Staying Engaged with Mettler Toledo 8450 Scale Manual
 - Joining Online Reading Communities
 - Participating in Virtual Book Clubs
 - Following Authors and Publishers Mettler Toledo 8450 Scale Manual
9. Balancing eBooks and Physical Books Mettler Toledo 8450 Scale Manual
 - Benefits of a Digital Library
 - Creating a Diverse Reading Collection Mettler Toledo 8450 Scale Manual
10. Overcoming Reading Challenges
 - Dealing with Digital Eye Strain
 - Minimizing Distractions
 - Managing Screen Time
11. Cultivating a Reading Routine Mettler Toledo 8450 Scale Manual
 - Setting Reading Goals Mettler Toledo 8450 Scale Manual
 - Carving Out Dedicated Reading Time
12. Sourcing Reliable Information of Mettler Toledo 8450 Scale Manual
 - Fact-Checking eBook Content of Mettler Toledo 8450 Scale Manual
 - Distinguishing Credible Sources
13. Promoting Lifelong Learning

- Utilizing eBooks for Skill Development
 - Exploring Educational eBooks
14. Embracing eBook Trends
- Integration of Multimedia Elements
 - Interactive and Gamified eBooks

Mettler Toledo 8450 Scale Manual Introduction

In this digital age, the convenience of accessing information at our fingertips has become a necessity. Whether its research papers, eBooks, or user manuals, PDF files have become the preferred format for sharing and reading documents. However, the cost associated with purchasing PDF files can sometimes be a barrier for many individuals and organizations. Thankfully, there are numerous websites and platforms that allow users to download free PDF files legally. In this article, we will explore some of the best platforms to download free PDFs. One of the most popular platforms to download free PDF files is Project Gutenberg. This online library offers over 60,000 free eBooks that are in the public domain. From classic literature to historical documents, Project Gutenberg provides a wide range of PDF files that can be downloaded and enjoyed on various devices. The website is user-friendly and allows users to search for specific titles or browse through different categories. Another reliable platform for downloading Mettler Toledo 8450 Scale Manual free PDF files is Open Library. With its vast collection of over 1 million eBooks, Open Library has something for every reader. The website offers a seamless experience by providing options to borrow or download PDF files. Users simply need to create a free account to access this treasure trove of knowledge. Open Library also allows users to contribute by uploading and sharing their own PDF files, making it a collaborative platform for book enthusiasts. For those interested in academic resources, there are websites dedicated to providing free PDFs of research papers and scientific articles. One such website is Academia.edu, which allows researchers and scholars to share their work with a global audience. Users can download PDF files of research papers, theses, and dissertations covering a wide range of subjects. Academia.edu also provides a platform for discussions and networking within the academic community. When it comes to downloading Mettler Toledo 8450 Scale Manual free PDF files of magazines, brochures, and catalogs, Issuu is a popular choice. This digital publishing platform hosts a vast collection of publications from around the world. Users can search for specific titles or explore various categories and genres. Issuu offers a seamless reading experience with its user-friendly interface and allows users to download PDF files for offline reading. Apart from dedicated platforms, search engines also play a crucial role in finding free PDF files. Google, for instance, has an advanced search feature that allows users to filter results by file type. By specifying the file type as "PDF," users can find websites that offer free PDF downloads on a specific topic. While downloading Mettler Toledo 8450 Scale Manual free PDF files is

convenient, its important to note that copyright laws must be respected. Always ensure that the PDF files you download are legally available for free. Many authors and publishers voluntarily provide free PDF versions of their work, but its essential to be cautious and verify the authenticity of the source before downloading Mettler Toledo 8450 Scale Manual. In conclusion, the internet offers numerous platforms and websites that allow users to download free PDF files legally. Whether its classic literature, research papers, or magazines, there is something for everyone. The platforms mentioned in this article, such as Project Gutenberg, Open Library, Academia.edu, and Issuu, provide access to a vast collection of PDF files. However, users should always be cautious and verify the legality of the source before downloading Mettler Toledo 8450 Scale Manual any PDF files. With these platforms, the world of PDF downloads is just a click away.

FAQs About Mettler Toledo 8450 Scale Manual Books

1. Where can I buy Mettler Toledo 8450 Scale Manual books? Bookstores: Physical bookstores like Barnes & Noble, Waterstones, and independent local stores. Online Retailers: Amazon, Book Depository, and various online bookstores offer a wide range of books in physical and digital formats.
2. What are the different book formats available? Hardcover: Sturdy and durable, usually more expensive. Paperback: Cheaper, lighter, and more portable than hardcovers. E-books: Digital books available for e-readers like Kindle or software like Apple Books, Kindle, and Google Play Books.
3. How do I choose a Mettler Toledo 8450 Scale Manual book to read? Genres: Consider the genre you enjoy (fiction, non-fiction, mystery, sci-fi, etc.). Recommendations: Ask friends, join book clubs, or explore online reviews and recommendations. Author: If you like a particular author, you might enjoy more of their work.
4. How do I take care of Mettler Toledo 8450 Scale Manual books? Storage: Keep them away from direct sunlight and in a dry environment. Handling: Avoid folding pages, use bookmarks, and handle them with clean hands. Cleaning: Gently dust the covers and pages occasionally.
5. Can I borrow books without buying them? Public Libraries: Local libraries offer a wide range of books for borrowing. Book Swaps: Community book exchanges or online platforms where people exchange books.
6. How can I track my reading progress or manage my book collection? Book Tracking Apps: Goodreads, LibraryThing, and Book Catalogue are popular apps for tracking your reading progress and managing book collections. Spreadsheets: You can create your own spreadsheet to track books read, ratings, and other details.
7. What are Mettler Toledo 8450 Scale Manual audiobooks, and where can I find them? Audiobooks: Audio recordings of

- books, perfect for listening while commuting or multitasking. Platforms: Audible, LibriVox, and Google Play Books offer a wide selection of audiobooks.
8. How do I support authors or the book industry? Buy Books: Purchase books from authors or independent bookstores. Reviews: Leave reviews on platforms like Goodreads or Amazon. Promotion: Share your favorite books on social media or recommend them to friends.
 9. Are there book clubs or reading communities I can join? Local Clubs: Check for local book clubs in libraries or community centers. Online Communities: Platforms like Goodreads have virtual book clubs and discussion groups.
 10. Can I read Mettler Toledo 8450 Scale Manual books for free? Public Domain Books: Many classic books are available for free as they're in the public domain. Free E-books: Some websites offer free e-books legally, like Project Gutenberg or Open Library.

Find Mettler Toledo 8450 Scale Manual :

honda cb400cc electrical wiring

[honda cr 125 service manual](#)

[honda civic ek3 service manual](#)

[honda cbr 125 202007](#)

honda civic service repair workshop manual 2008

[honda crf150r repair manual](#)

[honda crf 50 workshop manual](#)

honda cbr900rr 929rr motorcycle service repair manual 2000 2002

[honda cbr1000rr 2004 2008 service repair manual](#)

[honda cr250 96 service manual](#)

honda crv 2002 user complete manual

[honda cbr600 service repair workshop manual 97 00](#)

[honda cbr125rw manual](#)

honda civic 1991 d15b efi efi wire diagram

[honda cbr600rr repair manual 2007 2009](#)

Mettler Toledo 8450 Scale Manual :

quand dire c est faire université du québec à montréal - Jun 04 2022

oct 31 1991 l ouvrage quand dire c est faire nous emmène dans la théorie des actes du discours dans laquelle l auteur analyse le discours mais sous des angles bien précis il ne

quand dire c est faire by j l austin open library - Dec 10 2022

john langshaw austin auteur paru en octobre 1991 roman broché quand dire c est faire 4 5 5 avis offres sur ce produit carte fnac à 7 99 résumé voir tout quand dire c est

quand dire c est faire austin john langshaw amazon fr livres - Aug 26 2021

quand dire c est faire john langshaw austin gilles lane - Sep 07 2022

1 e n 1962 john austin publiait un ouvrage intitulé how to do things with words comment faire des choses avec des mots traduit en 1970 sous le titre quand dire c est faire il y

actes de langage encyclopædia universalis - Jul 17 2023

le titre français de cet ouvrage quand dire c est faire 1970 illustre parfaitement l objectif de cette théorie il s agit en effet de prendre le contre pied des approches logiques du langage et

quand dire c est faire broché john langshaw austin fnac - Nov 09 2022

austin j l 1970 quand dire c est faire Éditions du seuil paris pages 37 à 45 première conférence ce que j aurai à dire ici n est ni difficile à comprendre ni sujet à controverses le

quand dire c est faire j l austin free download borrow - May 15 2023

quand dire c est faire by j l austin publication date 1970 publisher Éditions du seuil collection inlibrary printdisabled internetarchivebooks

quand dire la vérité c est faire - Mar 01 2022

il reconnaît bien une place spéciale à i affirmation classique conçue dans toute sa complexité mais sans s arrêter à déterminer très précisément ce qui lui confère cette situation unique le

quand ce sera fait traduction anglaise linguee - Sep 26 2021

l ouvrage quand dire c est faire nous emmène dans la théorie des actes du discours dans laquelle l auteur analyse le discours mais sous des angles bien précis il ne s agit pas de

john langshaw austin quand dire c est faire cairn info - Sep 19 2023

d où le titre de son livre posthume quand dire c est faire 1962 qui reprendra cette série de conférences et dans lequel avec des mots simples et des exemples nombreux il bouscule bon nombre d idées courantes sur le langage l approche est originale

et aura une belle postérité

quand dire c est faire amazon com - May 03 2022

feb 22 2012 parmi les travaux des philosophes de cette nébuleuse ceux de j l austin et en particulier les conférences réunies sous le titre quand dire c est faire la traduction littérale

john langshaw austin wikipédia - Apr 14 2023

il donne une série de conférences à l université de harvard en 1955 qui seront publiées sous le titre quand dire c est faire how to do things with words il devient à cette époque ami

quand dire c est faire austin john langshaw amazon fr - Jan 11 2023

apr 1 2023 november 1 2008 created by importbot imported from university of toronto marc record quand dire c est faire by j l austin gilles lane 1970 Éditions du seuil

plus facile à dire qu à faire dictionnaire des expressions - Dec 30 2021

2 days ago confessions de parents mytho oui on a menti pour dire qu on se l avoue on a tous tendance à enjoliver les choses pour faire plaisir aux enfants les inciter à aller au lit à

attentat à arras la france en alerte urgence attentat - Oct 28 2021

parce qu en fait quand on est inconscient ignorant de son corps esprit c est à dire de ce dont je viens de parler posture tension circulation d énergie respiration quand on est

quand dire c est presque faire philosophie magazine - Aug 18 2023

aug 21 2012 to perform accomplir c est à dire qu en les prononçant on accomplit une action se marier parier jurer donner un nom à un enfant il y a des circonstances dans

quand dire c est soigner sciencedirect - Jul 05 2022

e a oui je le veux c est à dire je oui étant prononcé au cours de la cérémonie e b je baptise ce bateau le queen bouteille contre la coque e c je donne et lègue ma montre à

quand dire c est vraiment faire philosophie - Mar 13 2023

nov 1 1991 ainsi lorsque le maire prononce la formule rituelle je vous marie il marie par la seule énonciation de cette phrase même chose lorsqu on baptise un enfant ou un navire

dire et faire cairn info - Aug 06 2022

apr 1 2022 dans sa conférence à harvard en 1955 austin proposait une théorie du langage quand dire c est faire les mots ne servent pas seulement à communiquer ils peuvent

[quand dire c est faire john langshaw austin babelio](#) - Feb 12 2023

l ouvrage quand dire c est faire nous emmène dans la théorie des actes du discours dans laquelle l auteur analyse le discours

mais sous des angles bien précis il ne s agit pas de
quand dire c est faire sciences humaines - Jun 16 2023

une philosophie au langage clair c est cette découverte fondamentale d énoncés performatifs de l anglais to perform
accomplir exécuter qu expose et explore john l austin 1911 1960

john langshaw austin quand dire c est faire - Apr 02 2022

quand dire la vérité c est faire retour sur l analyse austinienne oubliée refoulée de l assertion université paris 3 le 5 11 2020
en visioconférence en règle générale dans la tradition

confessions de parents mytho oui on a menti pour dire - Nov 28 2021

oct 13 2023 la france placée au niveau d alerte urgence attentat quand on passe à ce niveau de vigilance c est pour dire à
tous les français à toutes les administrations de faire

austin j l 1970 quand dire cest faire academia edu - Oct 08 2022

quand dire c est faire john langshaw austin gilles lane Éditions du seuil 1970 filosofía del lenguaje 183 pages certains
énoncés sont en eux mêmes l acte qu ils désignent ainsi

quand dire c est faire pnxk5qyxd14v documents and e - Jan 31 2022

mais c est plus facile à dire qu à faire cela est néanmoins beaucoup plus facile à dire qu à faire le contenu de ce site est si
riche qu un livre en a été tiré ce livre devenu un best seller

la nuova biologia blu zanichelli - Jun 19 2023

web la storia della vita dalle biomolecole alla biosfera un filo conduttore che si snoda lungo i capitoli del libro e racconta la
storia della vita sulla terra dalla comparsa delle biomolecole e delle prime cellule all evoluzione degli animali e delle piante
chiavi di

la nuova biologia blu le cellule e i viventi plus - Apr 05 2022

web la nuova biologia blu le cellule e i viventi plus cornelius nepos adapted to the hamiltonian system by an interlineal and
analytical translation nov 04 2021 councils and ecclesiastical documents relating to great britain and ireland dec 17 2022

reprint of the original first published in 1871 la loica in verse apr 21 2023

la nuova biologia blu le cellule e i viventi plus con e book - Sep 10 2022

web scopri qui la nuova biologia blu le cellule e i viventi plus con e book con espansione online è un libro scritto da david
sadava david m hillis craig h heller pubblicato da zanichelli libraccio it

la nuova biologia blu le cellule e i viventi plus per le scuole - Nov 12 2022

web acquista la nuova biologia blu le cellule e i viventi plus per le scuole superiori con e book con espansione online
9788808937735 su libreria universitaria la nuova biologia blu plus dalla cellula alle biotecnologie per le

[la nuova biologia blu la biosfera la cellula e i viventi ediz plus](#) - Jul 08 2022

web acquista la nuova biologia blu la biosfera la cellula e i viventi ediz plus per le scuole superiori con e book con espansione online 9788808420503 con il 2 di sconto su libreria universitaria acquista tutti i libri per la

[la nuova biologia blu le cellule e i viventi plus con e book](#) - Feb 15 2023

web le cellule e i viventi plus con e book con espansione online di sadava david autore hillis david m autore heller craig h autore zanichelli 2016 0 15 13 24 40 acquistabile su libraccio it venditore libraccio dettagli dettagli autore sadava david hillis david m heller craig h materia biologia corsi biennio ean 9788808937735

sintesi di fine capitolo zanichelli online per la scuola - Mar 16 2023

web in questa pagina sono disponibili le sintesi di fine capitolo del volume la nuova biologia blu le cellule e i viventi scaricabili in formato pdf sintesi di capitolo capitolo a1 la biologia è la scienza della vita capitolo a2 la chimica della vita capitolo a3 le biomolecole e l energia capitolo a4 osserviamo la cellula

soluzioni degli esercizi zanichelli online per la scuola - Sep 22 2023

web soluzioni degli esercizi in questa pagina sono disponibili le soluzioni degli esercizi presenti al fondo di ogni capitolo del volume la nuova biologia blu plus scaricabili in formato pdf le cellule e i viventi plus genetica dna ed evoluzione plus

la nuova biologia blu la biosfera e la cellula ediz plus per le - Jun 07 2022

web la nuova biologia blu la biosfera e la cellula ediz plus per le scuole superiori con e book con espansione online sadava david hillis david m heller h craig hacker sally d amazon it libri

[la nuova biologia blu le cellule e i viventi plus per le scuole](#) - Aug 21 2023

web la nuova biologia blu le cellule e i viventi plus per le scuole superiori con e book con espansione online sadava david hillis david m heller craig h amazon it libri

[la nuova biologia blu l ambiente le cellule e i viventi ediz s](#) - May 06 2022

web la nuova biologia blu l ambiente le cellule e i viventi ediz s per le scuole superiori con e book con espansione online sadava david hillis david m heller h craig hacker sally d amazon it libri

[la nuova biologia blu le cellule e i viventi plus](#) - Mar 04 2022

web la nuova biologia blu le cellule e i viventi plus histoenzymology of the endocrine glands may 30 2020 international series of monographs in pure and applied biology modern trends in physiological sciences volume 35 histoenzymology of the endocrine glands discusses various concerns in histochemically detectable enzymic

la nuova biologia blu le cellule e i viventi plus book - Aug 09 2022

web la nuova biologia blu le cellule e i viventi plus eclogae ex q horatii flacci poematibus apr 01 2021 l anima umana e sue proprieta dedotte da soli principj di ragione dal p lettore d antonmaria gardini monaco camaldolese contro i materialisti e

specialmente contro l'opera intitolata le bon sens ou idees naturelles

la nuova biologia blu la biosfera la cellula e i viventi ediz plus - Jan 14 2023

web la biosfera la cellula e i viventi ediz plus per le scuole superiori con e book con espansione online copertina flessibile 2 marzo 2020 di david sadava autore david m hillis autore h craig heller autore 4 6 1 792

la nuova biologia blu plus sadava hillis heller hacker la nuova - Dec 13 2022

web la nuova biologia blu plus che cosa significa studiare gli esseri viventi e la loro evoluzione significa fare osservazioni raccogliere dati porsi domande formulare ipotesi e verificarle così per comprendere la storia della vita si inizia dallo studio dei fossili si osservano le somiglianze tra gli organismi e si confronta il loro dna

sadava hillis heller hacker la nuova biologia blu 2ed - May 18 2023

web la nuova biologia blu la biosfera e la cellula plus la biosfera la cellula e i viventi plus genetica dna evoluzione biotech plus il corpo umano plus dalla cellula alle biotecnologie plus dalla genetica al corpo umano plus dalla cellula al corpo umano genetica dna e corpo umano l'ambiente la cellula e i viventi s genetica dna

soluzione degli esercizi zanichelli online per la scuola - Oct 11 2022

web la nuova biologia blu le cellule e i viventi plus soluzione degli esercizi di seguito sono riportate le soluzioni degli esercizi delle sezioni verifica le tue conoscenze e verifica le tue abilità alla fine di ciascun capitolo capitolo a1 la biologia è la scienza della vita 3 b 4 c 5 b 6 a 7 d 8 b 9 c 10 d 11 b 12 a

la nuova biologiablu le cellule e i viventi plus per le scuole - Apr 17 2023

web la nuova biologiablu le cellule e i viventi plus per le scuole superiori con e book con espansione online happy friends workbook per le scuole elementari nov 05 2021 the vocabulary files english usage student s book advanced c2 ielts 7 0 8 0 9 0 jan 07 2022 elevator level 2 workbook con cd audio per le scuole superiori

la nuova biologia blu zanichelli - Oct 23 2023

web la nuova biologia blu seconda edizione 2020 che cosa significa studiare gli esseri viventi e la loro evoluzione significa fare osservazioni raccogliere dati porsi domande formulare leggi tutto vai al sito del libro libro in chiaro carta di identità del libro posso usare i libri di mio fratello opera disponibile in 25 volumi e versioni

d sadava d m hillis h c heller m r berenbaum la nuova - Jul 20 2023

web in questo sito trovi le risorse relative ai volumi del corso sadava hillis heller berenbaum la nuova biologia blu disponibile in 3 configurazioni clicca sulla copertina del libro in adozione per accedere ai contenuti ad esso associati la nuova biologia blu le cellule e i

evinrude e tec 60 hp manuals manualslib - May 11 2023

web evinrude e tec 60 hp manuals manuals and user guides for evinrude e tec 60 hp we have 1 evinrude e tec 60 hp manual

available for free pdf download service manual

evinrude vro 60 hp workshop manual by mikeandrews4010 issuu - Nov 05 2022

web 1984 johnson evinrude 60 brand evinrude prop shaft horsepower 60hp options electric start shaft length long 20 model run e

evinrude vro 60 hp manual lubege 2022 ams istanbul edu - Sep 22 2021

unlock the power of your evinrude 60 hp vro with the - Jul 01 2022

web aug 14 2005 re 60 hp evinrude vro alarm when i repaced my old style vro pump with the later version the wiring was different but the instructions covered how to

1984 outboard 60 e60elcre parts lookup crowley marine - Oct 04 2022

web apr 28 2018 evinrude 60 hp vro manual ppt get instant access for evinrude 60 hp vro manual ppt simply follow the link provided above and you can directly download

service manual evinrude e tec 40 60 hp fuel system fuel - Mar 29 2022

web evinrude johnson 48 235 hp ob 73 90 evinrude vro 60 hp manual lubege downloaded from ams istanbul edu tr by guest karlee dakota outboard motor service manual

1973 1991 johnson evinrude outboard 60hp 235hp service - Mar 09 2023

web 1973 1991 johnson evinrude outboard 60hp 235hp service repair manual download best johnson evinrude outboard service repair manual 1973 1991 johnson evinrude

evinrude vro 60 hp manual sentryselect investments info - Nov 24 2021

web may 7 2019 evinrude 60 hp vro outboard engine jasper pickersgill 1 subscriber subscribe 1 644 views 4 years ago evinrude outboard engine from 1989 for sale the

johnson evinrude 60 hp outboard repair manuals - Apr 29 2022

web sep 4 2020 use the evinrude diagnostics software program to test circulation pump and fuel injectors important static tests are performed when outboard is not running

specs on a 60hp evinrude vro serv - Aug 02 2022

web jun 12 2023 in this article we will take a closer look at the evinrude 60 hp vro owners manual and what vro stands for what is vro vro stands for variable ratio oiling it

evinrude 60 hp vro manual by themail38 issuu - Sep 03 2022

web skematic evinrude 60 e60tlder johnson vro 70 manual wiring for 70 hp johnson for tilt 70 hp johnson wiring diagram electrical diagram for 1990 60hp johnson 1990 johnson 60

evinrude vro 60 hp manual pdf download only support ortax - Feb 08 2023

web evinrude vro 60 hp manual pdf pages 2 3 evinrude vro 60 hp manual pdf upload herison o williamson 2 3 downloaded from support ortax org on september 3 2023 by

omc evinrude outboard service manual watercraft - Jan 07 2023

web jul 16 2003 chrysler outboard manuals evinrude outboard manuals force outboard manuals honda outboard manuals johnson outboard manuals mariner outboard

evinrude vro 60 hp manual lubege download only - Feb 25 2022

web view and download evinrude e tec 40 hp service manual online e tec 40 hp engine pdf manual download also for e tec 65 hp e tec 90 hp e tec 50 hp e tec 60 hp e tec 75

johnson evinrude 60 hp service repair manual pdf - Jul 13 2023

web johnson evinrude 60 hp outboard 1991 1994 service manual download now johnson evinrude 1 25 60 hp 1971 1989 service manual download now

evinrude vro 60 hp manual lubege full pdf ams istanbul edu - Dec 26 2021

web evinrude vro 60 hp manual view all home safety product manuals this is a great resource for people who tend to misplace important documents especially those that

60 hp evinrude vro alarm iboats boating forums - May 31 2022

web despite now discontinued johnson evinrude 60 hp outboards still power a wide range of boats around the world they are reasonably reliable and easy to repair though some

evinrude outboard motor user manuals download manualslib - Apr 10 2023

web download 149 evinrude outboard motor pdf manuals user manuals evinrude outboard motor operating guides and service manuals

best manual for 1990 60 hp evinrude vro boat repair forum - Dec 06 2022

web jun 14 2017 evinrude vro 60 hp workshop manual full evinrude vro 60 hp workshop manual pdf evinrude vro 60 hp workshop manual ppt evinrude vro 60 hp

evinrude 60 hp vro outboard engine youtube - Oct 24 2021

web evinrude johnson 48 235 hp ob 73 90 evinrude vro 60 hp manual lubege downloaded from ams istanbul edu tr by guest tapia jordyn national fisherman w h freeman

evinrude service manual free download boat yacht - Aug 14 2023

web feb 23 2019 download 2012 evinrude 40 50 60 65 75 90 hp service manual pdf evinrude 40 50 60 65 75 90 hp 2012 servi adobe acrobat document 46 9 mb

[evinrude guides and information evinrude us](#) - Jun 12 2023

web looking for evinrude owner s manuals looking for evinrude operator s guides find a dealer owners center need help my
brp account austria belgium dutch belgium

evinrude e tec 40 hp service manual pdf download - Jan 27 2022

web 4 evinrude vro 60 hp manual lubege 2021 10 01 field stream springer science business media honda 2 130 hp a series 4
stroke outboards including jet drives