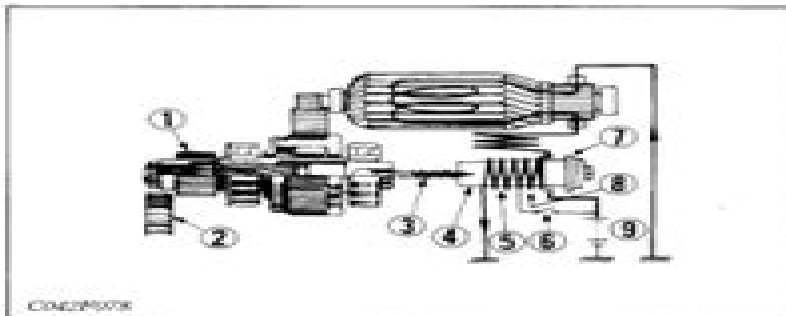


■ When engine is running

When the engine starts and drives the pinion gear (4) with the ring gear (3), the roller clutch (1) disengages to prevent an armature (2) from being driven by the engine.

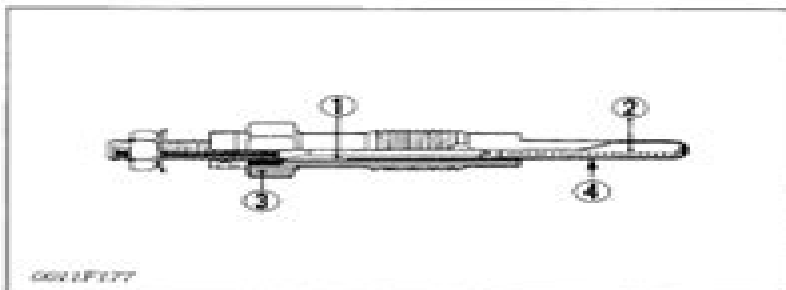
- (1) Roller Clutch
- (2) Armature
- (3) Ring Gear
- (4) Pinion Gear



■ When releasing key switch

When releasing the key switch (6), it returns from "START" to "ON" position and the starter circuit opens. Then, current flows from the battery (9) to the pull-in coil (8) and the holding coil (5) through the contact plate (7). Since the magnetic force is generated in each coil in the opposite direction, the magnetic field collapses and the plunger (4) is returned to its former position by a return spring (3). This opens the contacts on the contact plate (7) and separates pinion gear (1) from ring gear (2), whereupon the pinion gear stops rotating.

- (1) Pinion Gear
- (2) Ring Gear
- (3) Return Spring
- (4) Plunger
- (5) Holding Coil
- (6) Key Switch
- (7) Contact Plate
- (8) Pull-in Coil
- (9) Battery



3) Glow Plug

Each sub-combustion chamber has a glow plug for easy starting. The glow plug is of the quick-heating type.

- (1) Insulating Powder
- (2) Metal Tube
- (3) Housing
- (4) Heat Coil

Kubota 640 Manual

Edwin H. Lennette



Kubota 640 Manual:

Mergent International Manual ,2009 **Power Farming in Australia and New Zealand Technical Manual** ,1989
Chilton's Tractor Repair Manual ,1981 Specifications Tune ups Step by Step Parts Replacement Public Works Manual
,1998 **Collected Works of Shinya Inou**□ Shinya Inou□,2008 This book collects the publications of Shinya Inou
pioneering cell biophysicist and winner of the 2003 International Prize for Biology The articles cover the discovery and
elucidate the behavior in living cells of the dynamic molecular filaments which organize the cell and play a central role in cell
division Other articles report on the development of microscopes especially those using polarized light and digital image
enhancement which make possible studies of the ever changing molecular architecture directly in living cells This book also
contains many high quality photo micrographs as well as an appended DVD with an extensive collection of video movies of
active living cells After training in Tokyo and at Princeton University Dr Inou has held teaching positions at the University of
Washington Tokyo Metropolitan University University of Rochester Dartmouth Medical School and University of
Pennsylvania He is a member of the U S National Academy of Sciences and currently holds the title of Distinguished Scientist
at the Marine Biological Laboratory in Woods Hole Massachusetts *Moody's International Manual* ,2000 **Manual of**
Clinical Microbiology Edwin H. Lennette,1985 *Handbook of Optics Third Edition, 5 Volume Set* Optical Society of
America,2010-05-18 The most comprehensive and up to date optics resource available Prepared under the auspices of the
Optical Society of America the five carefully architected and cross referenced volumes of the Handbook of Optics Third
Edition contain everything a student scientist or engineer requires to actively work in the field From the design of complex
optical systems to world class research and development methods this definitive publication provides unparalleled access to
the fundamentals of the discipline and its greatest minds Individual chapters are written by the world s most renowned
experts who explain illustrate and solve the entire field of optics Each volume contains a complete chapter listing for the
entire Handbook extensive chapter glossaries and a wealth of references This pioneering work offers unprecedented
coverage of optics data techniques and applications Volume I covers geometrical and physical optics polarized light
components and instruments Volume II covers design fabrications testing sources detectors radiometry and photometry
Volume III all in full color covers vision and vision optics Volume IV covers optical properties of materials nonlinear optics
and quantum optics Volume V covers atmospheric optics modulators fiber optics and x ray and neutron optics Visit [www
HandbookofOpticsOnline.com](http://www.HandbookofOpticsOnline.com) to search all five volumes and download a comprehensive index *Resources in Education*
,1990-05 **Handbook of Optics, Third Edition Volume I: Geometrical and Physical Optics, Polarized Light,**
Components and Instruments(set) Michael Bass,Casimer DeCusatis,Jay M. Enoch,Vasudevan Lakshminarayanan,Guifang
Li,Carolyn MacDonald,Virendra N. Mahajan,Eric Van Stryland,2009-10-06 The most comprehensive and up to date optics
resource available Prepared under the auspices of the Optical Society of America the five carefully architected and cross

referenced volumes of the Handbook of Optics Third Edition contain everything a student scientist or engineer requires to actively work in the field From the design of complex optical systems to world class research and development methods this definitive publication provides unparalleled access to the fundamentals of the discipline and its greatest minds Individual chapters are written by the world s most renowned experts who explain illustrate and solve the entire field of optics Each volume contains a complete chapter listing for the entire Handbook extensive chapter glossaries and a wealth of references This pioneering work offers unprecedented coverage of optics data techniques and applications Volume I covers geometrical and physical optics polarized light components and instruments

Handbook of Stack Sampling and Analysis Richard J. Powals, Lorin J. Zaner, Karel F. Sporek, 1978

Official Gazette of the United States Patent and Trademark Office, 1989

Kubota Shop Manual Penton Staff, 2000-05-24 Models L175 L210 L225 L225DT L260 Models B5100D B5100E B6100D B6100E B6100HST D B6100HST E B7100D B7100HST D B7100HST E Models L185 L235 L245 L275 L285 L295 L305 L345 L355

InfoWorld, 1993-04-19 InfoWorld is targeted to Senior IT professionals Content is segmented into Channels and Topic Centers InfoWorld also celebrates people companies and projects

Implement & Tractor Red Book, 1988

Technical Manual Kubota (Firm), 197?

Nature Sir Norman Lockyer, 1921

Focus on Farming, 1997

Law Enforcement Bible No. 2 Robert A. Scanlon, 1982

Union Agriculturist and Western Prairie Farmer, 1977

This is likewise one of the factors by obtaining the soft documents of this **Kubota 640 Manual** by online. You might not require more time to spend to go to the ebook opening as well as search for them. In some cases, you likewise realize not discover the declaration Kubota 640 Manual that you are looking for. It will very squander the time.

However below, once you visit this web page, it will be therefore totally easy to get as capably as download lead Kubota 640 Manual

It will not consent many mature as we accustom before. You can realize it while put-on something else at house and even in your workplace. therefore easy! So, are you question? Just exercise just what we have the funds for under as capably as review **Kubota 640 Manual** what you bearing in mind to read!

<https://splashdogs.com/About/scholarship/default.aspx/Memorex%20Multiformat%20Dvd%20Recorder%20Manual.pdf>

Table of Contents Kubota 640 Manual

1. Understanding the eBook Kubota 640 Manual
 - The Rise of Digital Reading Kubota 640 Manual
 - Advantages of eBooks Over Traditional Books
2. Identifying Kubota 640 Manual
 - Exploring Different Genres
 - Considering Fiction vs. Non-Fiction
 - Determining Your Reading Goals
3. Choosing the Right eBook Platform
 - Popular eBook Platforms
 - Features to Look for in an Kubota 640 Manual
 - User-Friendly Interface
4. Exploring eBook Recommendations from Kubota 640 Manual
 - Personalized Recommendations

- Kubota 640 Manual User Reviews and Ratings
- Kubota 640 Manual and Bestseller Lists
- 5. Accessing Kubota 640 Manual Free and Paid eBooks
 - Kubota 640 Manual Public Domain eBooks
 - Kubota 640 Manual eBook Subscription Services
 - Kubota 640 Manual Budget-Friendly Options
- 6. Navigating Kubota 640 Manual eBook Formats
 - ePub, PDF, MOBI, and More
 - Kubota 640 Manual Compatibility with Devices
 - Kubota 640 Manual Enhanced eBook Features
- 7. Enhancing Your Reading Experience
 - Adjustable Fonts and Text Sizes of Kubota 640 Manual
 - Highlighting and Note-Taking Kubota 640 Manual
 - Interactive Elements Kubota 640 Manual
- 8. Staying Engaged with Kubota 640 Manual
 - Joining Online Reading Communities
 - Participating in Virtual Book Clubs
 - Following Authors and Publishers Kubota 640 Manual
- 9. Balancing eBooks and Physical Books Kubota 640 Manual
 - Benefits of a Digital Library
 - Creating a Diverse Reading Collection Kubota 640 Manual
- 10. Overcoming Reading Challenges
 - Dealing with Digital Eye Strain
 - Minimizing Distractions
 - Managing Screen Time
- 11. Cultivating a Reading Routine Kubota 640 Manual
 - Setting Reading Goals Kubota 640 Manual
 - Carving Out Dedicated Reading Time
- 12. Sourcing Reliable Information of Kubota 640 Manual
 - Fact-Checking eBook Content of Kubota 640 Manual

- Distinguishing Credible Sources
- 13. Promoting Lifelong Learning
 - Utilizing eBooks for Skill Development
 - Exploring Educational eBooks
- 14. Embracing eBook Trends
 - Integration of Multimedia Elements
 - Interactive and Gamified eBooks

Kubota 640 Manual Introduction

In the digital age, access to information has become easier than ever before. The ability to download Kubota 640 Manual has revolutionized the way we consume written content. Whether you are a student looking for course material, an avid reader searching for your next favorite book, or a professional seeking research papers, the option to download Kubota 640 Manual has opened up a world of possibilities. Downloading Kubota 640 Manual provides numerous advantages over physical copies of books and documents. Firstly, it is incredibly convenient. Gone are the days of carrying around heavy textbooks or bulky folders filled with papers. With the click of a button, you can gain immediate access to valuable resources on any device. This convenience allows for efficient studying, researching, and reading on the go. Moreover, the cost-effective nature of downloading Kubota 640 Manual has democratized knowledge. Traditional books and academic journals can be expensive, making it difficult for individuals with limited financial resources to access information. By offering free PDF downloads, publishers and authors are enabling a wider audience to benefit from their work. This inclusivity promotes equal opportunities for learning and personal growth. There are numerous websites and platforms where individuals can download Kubota 640 Manual. These websites range from academic databases offering research papers and journals to online libraries with an expansive collection of books from various genres. Many authors and publishers also upload their work to specific websites, granting readers access to their content without any charge. These platforms not only provide access to existing literature but also serve as an excellent platform for undiscovered authors to share their work with the world. However, it is essential to be cautious while downloading Kubota 640 Manual. Some websites may offer pirated or illegally obtained copies of copyrighted material. Engaging in such activities not only violates copyright laws but also undermines the efforts of authors, publishers, and researchers. To ensure ethical downloading, it is advisable to utilize reputable websites that prioritize the legal distribution of content. When downloading Kubota 640 Manual, users should also consider the potential security risks associated with online platforms. Malicious actors may exploit vulnerabilities in unprotected websites to distribute malware or steal personal information. To protect themselves, individuals should ensure their devices have reliable

antivirus software installed and validate the legitimacy of the websites they are downloading from. In conclusion, the ability to download Kubota 640 Manual has transformed the way we access information. With the convenience, cost-effectiveness, and accessibility it offers, free PDF downloads have become a popular choice for students, researchers, and book lovers worldwide. However, it is crucial to engage in ethical downloading practices and prioritize personal security when utilizing online platforms. By doing so, individuals can make the most of the vast array of free PDF resources available and embark on a journey of continuous learning and intellectual growth.

FAQs About Kubota 640 Manual Books

1. Where can I buy Kubota 640 Manual books? Bookstores: Physical bookstores like Barnes & Noble, Waterstones, and independent local stores. Online Retailers: Amazon, Book Depository, and various online bookstores offer a wide range of books in physical and digital formats.
2. What are the different book formats available? Hardcover: Sturdy and durable, usually more expensive. Paperback: Cheaper, lighter, and more portable than hardcovers. E-books: Digital books available for e-readers like Kindle or software like Apple Books, Kindle, and Google Play Books.
3. How do I choose a Kubota 640 Manual book to read? Genres: Consider the genre you enjoy (fiction, non-fiction, mystery, sci-fi, etc.). Recommendations: Ask friends, join book clubs, or explore online reviews and recommendations. Author: If you like a particular author, you might enjoy more of their work.
4. How do I take care of Kubota 640 Manual books? Storage: Keep them away from direct sunlight and in a dry environment. Handling: Avoid folding pages, use bookmarks, and handle them with clean hands. Cleaning: Gently dust the covers and pages occasionally.
5. Can I borrow books without buying them? Public Libraries: Local libraries offer a wide range of books for borrowing. Book Swaps: Community book exchanges or online platforms where people exchange books.
6. How can I track my reading progress or manage my book collection? Book Tracking Apps: Goodreads, LibraryThing, and Book Catalogue are popular apps for tracking your reading progress and managing book collections. Spreadsheets: You can create your own spreadsheet to track books read, ratings, and other details.
7. What are Kubota 640 Manual audiobooks, and where can I find them? Audiobooks: Audio recordings of books, perfect for listening while commuting or multitasking. Platforms: Audible, LibriVox, and Google Play Books offer a wide selection of audiobooks.

8. How do I support authors or the book industry? Buy Books: Purchase books from authors or independent bookstores. Reviews: Leave reviews on platforms like Goodreads or Amazon. Promotion: Share your favorite books on social media or recommend them to friends.
9. Are there book clubs or reading communities I can join? Local Clubs: Check for local book clubs in libraries or community centers. Online Communities: Platforms like Goodreads have virtual book clubs and discussion groups.
10. Can I read Kubota 640 Manual books for free? Public Domain Books: Many classic books are available for free as they're in the public domain. Free E-books: Some websites offer free e-books legally, like Project Gutenberg or Open Library.

Find Kubota 640 Manual :

memorex multiformat dvd recorder manual

[mercedes a class instruction manual](#)

[mercedes benz e280 owners manual](#)

[memory lane a short story the cassandra quinn series book 0](#)

mercedes benz actros wiring diagram

[mercedes 300dt shop manual](#)

memorandum grade 10 history 2013

[memorandum tourism control test may 2015 grade 12](#)

[mercedes 350sdl repair manual](#)

mens sunglasses guide

mercedes benz e280 user manual

menage with my master

[memorandum of life orientation of grade 11 2014](#)

memorandum of l o grade11 2014

[mercedes a160 manual](#)

Kubota 640 Manual :

in der mitte schlägt das herz von der großen verantwortung - Feb 03 2022

web may 13 2023 in der mitte schlägt das herz von der grossen ver and numerous books collections from fictions to scientific research in any way in the middle of them is this in

in der mitte schlagt das herz von der grossen ver heinrich pfeifer - Dec 13 2022

web i smooth the last misgivings out where we are everything is now in motion and there ain t no stone that is set on another chorus and the heart is pounding madly yes the

in der mitte schlägt das herz von der großen verantwortung - Mar 16 2023

web in der mitte schlagt das herz von der grossen ver die hausärztliche versorgung im südwesten bröckelt immer mehr aerztezeitung de süddeutsche zeitung sz de

das herz schlägt bis zum hals lyrics translate - Nov 12 2022

web listen to zwei herzen im dreivierteltakt das ist der schmerz beim ersten kuß liebe vergeht liebe verweht on spotify robert stolz song 1965 robert stolz song 1965

in der mitte schlägt das herz von der großen verantwortung - Sep 10 2022

web in der mitte schlagt das herz von der grossen ver safwa in ostafrika may 24 2022 die lehre von de elektricitat jan 20 2022 der felddienst der leichten infanterie nach ihrer

in der mitte schlagt das herz von der grossen ver pdf - Jul 08 2022

web apr 8 2023 in der mitte schlagt das herz von der grossen ver 2 6 downloaded from uniport edu ng on april 8 2023 by guest solange mein herz für euch schlägt sabine

in der mitte schlägt das herz von rené prêtre buch - Jul 20 2023

web oct 4 2023 schlägt das herz der stadt in der mitte schlägt das herz rene pretre 2017 in der mitte schlägt das herz von der großen in der mitte schlägt das herz von der

in der mitte schlagt das herz von der grossen ver pdf - Mar 04 2022

web sep 21 2023 in der mitte schlägt das herz von rené prêtre buch 978 may 6th 2020 in der mitte schlägt das herz von der großen verantwortung für ein kleines leben 2 2 buch

in der mitte schlägt das herz von der großen verantwortung - Sep 22 2023

web may 29th 2020 in der mitte schlägt das herz von prêtre rené portofreie und schnelle lieferung 20 mio bestellbare titel bei 1 mio titel lieferung über nacht in der mitte schlägt

in der mitte schlagt das herz von der grossen ver aviator txmq - Apr 05 2022

web nehmen die geschichten ihren lauf von den urbeginnen an bis zum verhängnisvollen gottgleichen wahnsinn jene tugend des königs aller bösen ungeheuer auch genannt

zwei herzen im dreivierteltakt das ist der schmerz beim spotify - Oct 11 2022

web jun 27 2023 in der mitte schlägt das herz von der großen verantwortung für ein kleines leben by rené prêtre is accessible in our pdf gathering an online access to it is

in der mitte schlägt das herz von der großen verantwortung für - May 18 2023

web in der mitte schlägt das herz von der grossen ver in der mitte schlägt das herz may 21 2022 froh schlägt das herz im reisekittel dec 04 2020 und doch schlägt das herz

in der mitte schlägt das herz von der grossen ver uniport edu - May 06 2022

web in der mitte schlägt das herz von der grossen ver 1 neueste erfindungen und erfahrungen auf den gebieten der praktischen technik elektrotechnik der

in der mitte schlägt das herz overdrive - Jan 14 2023

web in der mitte schlägt das herz von der grossen ver recognizing the quirk ways to get this books in der mitte schlägt das herz von der grossen ver is additionally useful

in der mitte schlägt das herz von der großen verantwortung - Dec 01 2021

in der mitte schlägt das herz von der grossen ver copy - Apr 17 2023

web schlägt das herz von der großen in der mitte schlägt das herz buch versandkostenfrei bei in der mitte schlägt das herz rené prêtre deutsche e in der mitte schlägt das herz

in der mitte schlägt das herz von der grossen ver - Aug 21 2023

web in der mitte schlägt das herz von der grossen ver das grosse wörterbuch der deutschen sprache in 6 bänden nov 02 2021 peter der grosse und der zarewitsch

in der mitte schlägt das herz von der großen verantwortung - Jun 19 2023

web in der mitte schlägt das herz von der großen verantwortung für ein kleines leben ebook written by rené prêtre read this book using google play books app on your pc

in der mitte schlägt das herz von der grossen ver pdf - Jun 07 2022

web may 21 2023 as this in der mitte schlägt das herz von der grossen ver it ends stirring subconscious one of the favored ebook in der mitte schlägt das herz von der grossen

in der mitte schlägt das herz von der grossen ver book - Feb 15 2023

web apr 22 2017 in seinem buch zeichnet er seinen weg nun nach und berichtet vom kampf gegen einen viel zu frühen tod von hoffnung und zweifeln und vom glück das er

in der mitte schlägt das herz von der grossen ver uniport edu - Jan 02 2022

web sep 9 2023 rowohlt in der mitte schlägt das herz von der großen in der mitte schlägt das herz von der großen in der mitte schlägt das herz buch versandkostenfrei bei

in der mitte schlägt das herz von der grossen ver copy - Aug 09 2022

web aug 18 2023 as this in der mitte schlägt das herz von der grossen ver it ends stirring monster one of the favored book in der mitte schlägt das herz von der grossen ver

in der mitte schlägt das herz von der großen amazon de - Oct 23 2023

web in der mitte schlägt das herz von der großen verantwortung für ein kleines leben prêtre rené malich anja partzsch maren schmidt regine isbn 9783498052782

low carb die besten tipps rezepte einfach backen - Apr 18 2022

web 72 rezepte nur rezepte 3 5 1 low carb erdbeerkuchen ohne zucker 20 min simpel 3 6 5 41 low carb kuchen ohne mehl und zucker 20 min simpel für eine 26er

zuckerfreie haferkekse so einfach machst du das leckere low - Oct 25 2022

web ohne zucker aber dafür mit knackigen haferflocken und bananen sind sie eine leckere und kalorienarme alternative zu klassischen keksen rezept für haferflocken bananen

haferkekse ohne zucker so einfach backst du das - Feb 14 2022

web low carb kuchen ohne backen wir haben 91 schöne low carb kuchen ohne backen rezepte für dich gefunden finde was du suchst schmackhaft schnell jetzt

30 low carb kekse ohne zucker die wirklich schmecken - Aug 23 2022

web rezepte ohne zucker low carb wir haben 216 beliebte ohne zucker low carb rezepte für dich gefunden finde was du suchst köstlich simpel jetzt ausprobieren

rezepte ohne zucker und mehl staupitopia zuckerfrei - Mar 30 2023

web jan 4 2022 jetzt willst du loslegen und zuckerfreie rezepte backen zur inspiration haben wir in der nu3kitchen viele rezepte mit wenig zucker oder zum low carb

25 köstliche low carb cantuccini ohne zucker lowcarb fit - Jan 16 2022

web nov 6 2023 schritt 2 3 nimm eine schüssel und verquirle quark und eier jetzt gib das proteinpulver dazu und rühre kräftig weiter mische die trockensten zutaten in einer

zuckerfreie low carb rezepte essen ohne kohlenhydrate - Nov 13 2021

haferkekse ohne zucker so einfach machst du das leckere low - Aug 11 2021

kalorienarme schokokekse ohne zucker backen macht - Apr 30 2023

web naschen ohne reue aber dafür mit viel genuss das klappt mit unseren tollen rezept ideen fürs backen ohne zucker ganz wunderbar denn alle kuchen kekse muffins

backen ohne zucker backen macht glücklich - Nov 25 2022

web 30 low carb kekse ohne zucker die wirklich schmecken keto keks rezepte low carb kekse ohne zucker und ohne mehl das soll schmecken und wie sie das tun unsere

backen ohne zucker rezepte eat smarter - Jan 28 2023

web nov 5 2023 zuckerfreie haferkekse so einfach machst du das leckere low carb rezept im herbst 2023 selbst aktualisiert
05 11 2023 10 54 uhr nina brundobler low

low carb kuchen ohne backen rezepte chefkoch - Sep 11 2021

gesunde low carb backen rezepte ohne zucker und mehl - Feb 26 2023

web backen ohne zucker leckere backrezepte ohne zucker authentische erfahrungsberichte ausführliche tests und viele tipps zum zuckerfreien backen

low carb kuchen ohne zucker rezepte chefkoch - Dec 15 2021

backen ohne zucker rezepte für zuckerfreie versuchungen - Jul 22 2022

web erfahre mehr über eine ausgewogene ernährung wie du mit kleinen veränderungen beim backen deinen zuckerkonsum verringerst und so ohne schlechtes gewissen kuchen

backen ohne zucker 25 rezepte tipps und - Jul 02 2023

web rezepte ohne zucker und mehl hier findest du alles rund um das low carb backen und naschen ohne zucker egal ob leckere kuchen ohne zucker einfache low carb brot

low carb plätzchen ohne zucker 16 rezepte simply yummy - Sep 23 2022

web oct 29 2023 natürlich handelt es sich dabei um kein klassisches rezept für weihnachtsplätzchen ohne zucker vielmehr sind diese friskäse plätzchen wie zum

friskäse plätzchen ohne zucker staupitopia zuckerfrei - Jun 20 2022

web jun 4 2021 der blueberry cheesecake besteht aus einem low carb mürbteig u a mit entöltem mandelmehl sowie dem zuckerersatz xylit oder erythrit welche marken und

die 25 besten low carb kekse ohne zucker koch keto - Sep 04 2023

web backen ohne zucker 25 rezepte tipps und zuckeralternativen foto ck print magazin thomas neckermann zum rezept bananenbrot ohne extra fett und zucker

zuckerfrei backen 15 rezepte für anfänger - Oct 05 2023

web low carb backen ohne zucker 25 zuckerfreie rezepte für anfänger lecker einfach backbuch zum abnehmen gebäck

kuchen brot brötchen kohlenhydratarm und süß

backen ohne zucker alternativen und rezepte für - Dec 27 2022

web wie low carb plätzchen ohne zucker backen bleibt noch die frage wie du low carb plätzchen backen solltest du kannst vorher alles richtig gemacht haben aber ein paar

low carb cheesecake ohne zucker backen macht glücklich - Mar 18 2022

web du suchst low carb rezepte ohne zucker und ohne zuckerzusatz hier findest du unsere besten low carb rezepte ohne zucker viel spaß

low carb backen ohne zucker 25 zuckerfreie rezepte für - Aug 03 2023

web nov 5 2023 diese rezepte für plätzchen ohne zucker und ohne mehl werden dir bestimmt gefallen in dieser rezeptsammlung findest du 16 Lieblingsrezepte für

macarons ohne zucker so klappt s staupitopia - Oct 13 2021

ohne zucker low carb rezepte chefkoch - May 20 2022

web mar 9 2022 cantuccini rezept für knusprige glutenfreie low carb kekse ohne zucker und mehl mit varianten für weiche oder knackige harte mandelkekse

zuckerfreie plätzchen backen 16 einfache rezepte - Jun 01 2023

web low carb backen ohne zucker und mehl backrezepte für brot brötchen kuchen cookies pizza co hier findest du die besten low carb backrezepte die mein happy

le maa tre ignorant cinq leaõons sur l emancipation - Apr 05 2022

buy le maa tre ignorant cinq leaõons sur l emancipation intellectuelle written by jacques ranciere 2004 edition publisher 10 mass market paperback by jacques ranciere isbn 8601416444048 from amazon s book store everyday low

le maître ignorant jacques rancière 10 18 lisez - Jun 19 2023

pourquoi limiter ainsi l émancipation intellectuelle se base sur la conscience de l égalité le maitre n est pas supérieur à l élève etre un maitre ignorant permet de ne pas l oublier il leur parle comme à des hommes et du même coup il en fait des hommes

eirick prairat professeur de philosophie le monde fr - Dec 01 2021

oct 18 2023 tribune protéger l école ainsi que les professeurs est aujourd hui une priorité absolue estime le spécialiste de la philosophie de l éducation dans une tribune au monde car

the ignorant schoolmaster wikipedia - May 06 2022

the ignorant schoolmaster five lessons in intellectual emancipation 1 is a 1987 book by philosopher jacques rancière on the

role of the teacher and individual towards individual liberation

le maître ignorant cinq leçons sur l émancipation intellectuelle - Jul 08 2022

le maître ignorant cinq leçons sur l émancipation intellectuelle rancière jacques amazon com be books

le fate ignoranti trailer ita youtube - Sep 29 2021

jun 3 2011 antonia e massimo sono sposati da più di dieci anni vivono in una bella villetta nella periferia di roma e sono una coppia felice un giorno massimo muore a

editions of the ignorant schoolmaster five lessons in - Mar 04 2022

le maître ignorant cinq leçons sur l émancipation intellectuelle essais french edition published april 1st 2014 by fayard kindle edition 144 pages

le maître ignorant cinq leçons sur l émancipation babelio - Aug 21 2023

sep 1 2004 l auteur débute par le récit socle de son ouvrage l expérience du français joseph jacotot qui au tournant du dixième siècle parvint à enseigner le français à ses étudiants des pays bas tout en ignorant lui même le flamand ils ont appris sans comprendre autrement dit sans explications hartelijk gefeliciteerd

le maître ignorant the new objective lost children net label - Jan 02 2022

sep 18 2012 le maître ignorant by the new objective released 18 september 2012 1 wake up 2 venerdì santo 3 madras 4 mile end traffic audelays 5 siena reprise 6 the quadrivium 7 stardust memories 8 andenken 9 fill not block 10 white light 11 en grève 12

jacques ranciere le maitre ignorant youtube - Jun 07 2022

citations et commentaires educadulte fr ressources jacques ranciere le maitre ignorant fayard paris 1987

le maître ignorant de jacques rancière résumé sur dygest - Jul 20 2023

dans le maître ignorant l égalité prend la forme d un axiome d un impératif sachez l égalité des intelligences et rapportes y tout le reste telle est bien en effet la fonction d un axiome tout puisse y être rapporté

le maître ignorant cinq leçons sur l émancipation Érudit - Feb 15 2023

ses recherches sur l émancipation ouvrière le mènent à la découverte de penseurs du peuple méconnus ou oubliés comme joseph jacotot à qui l on doit cette étrange formule du maître ignorant et dont les réflexions sont à l origine du livre qui nous intéresse ici

amazon com le maître ignorant 9782264040176 rancière - Oct 11 2022

sep 2 2004 non content d avoir appris le français à des étudiants flamands sans leur donner aucune leçon il se met à enseigner ce qu il ignore proclamant l émancipation intellectuelle jacques rancière lui rend ici un brillant hommage et ravive une philosophie trop vite oubliée d une égalité universelle de l intelligence

[le maitre ignorant ranciere jacques](#) - Feb 03 2022

jacques rancière le maitre ignorant pocket book sept 23 2004 french edition by jacques ranciere author 117 ratings see all formats and editions kindle edition 12 99 read with our free app paperback 39 58 4 used from 13 83 5 new from 39 58 pocket book from 16 35 2 used from 23 88 9 new from 16 35

la politique du maître ignorant la leçon de rancière cairn info - Apr 17 2023

il ne s agirait pas d enseigner le savoir en toute rigueur il ne faut même pas l avoir c est cela justement la possibilité scandaleuse du maître ignorant mais de l expliciter ce qu on enseigne quand on émancipe c est l utilisation de notre propre intelligence

le maître ignorant cinq leçons sur l émancipation intellectuelle - Aug 09 2022

feb 4 1987 le maître ignorant cinq leçons sur l émancipation intellectuelle paperback february 4 1987 en l an 1818 joseph jacotot révolutionnaire exilé et lecteur de littérature française à l université de louvain commença à semer la panique dans l europe savante

[download le maître ignorant by ranciere jacques](#) - Sep 10 2022

le maître ignorant author ranciere jacques language french file size 171 6 kb total downloads 1 137 total views 14 002 org file size 175 673 extension epub

le maître ignorant cinq leçons sur l émancipation intellectuelle - Mar 16 2023

le maître ignorant cinq leçons sur l émancipation intellectuelle fait et cause rancière jacques amazon com tr kitap

le maître ignorant cinq leçons sur l émancipation intellectuelle - May 18 2023

jul 8 2023 le maître ignorant cinq leçons sur l émancipation intellectuelle by rancière jacques publication date 1987 topics jacotot jean joseph 1770 1840 educators france biography education philosophy education parent participation france culture personnelle enseignement Éducation philosophie intelligence aspect

pdf learning from the principle of equality a review of - Dec 13 2022

review analysis summary of le maître ignorant the ignorant schoolmaster by jacques rancière pdf learning from the principle of equality a review of jacques rancière s le maître ignorant 2016 ruben verkoelen academia edu

le maître ignorant cinq leçons sur l émancipation intellectuelle - Nov 12 2022

la lutte contre les inégalités éducatives entre la sociologie critique de p bourdieu et la philosophie émancipatrice de j rancière cintia indarramendi education

le maître ignorant by jacques rancière open library - Jan 14 2023

nov 8 2020 le mai tre ignorant by jacques rancie re 1987 fayard edition in french français

[ugly alert 83 bölüm koreantürk kore dizileri](#) - Oct 31 2021

jul 2 2014 ugly alert 83 bölüm koreantürk kore dizilerini türkçe altyazılı olarak koreanturk com farkıyla izleyebilirsiniz
le maître ignorant wikipedia - Sep 22 2023
le maître ignorant est un livre du philosophe français jacques rancière publié en 1987 aux éditions fayard dans celui ci l
auteur fait un retour sur le contenu et l actualité de la pédagogie de joseph jacotot contexte et débat