

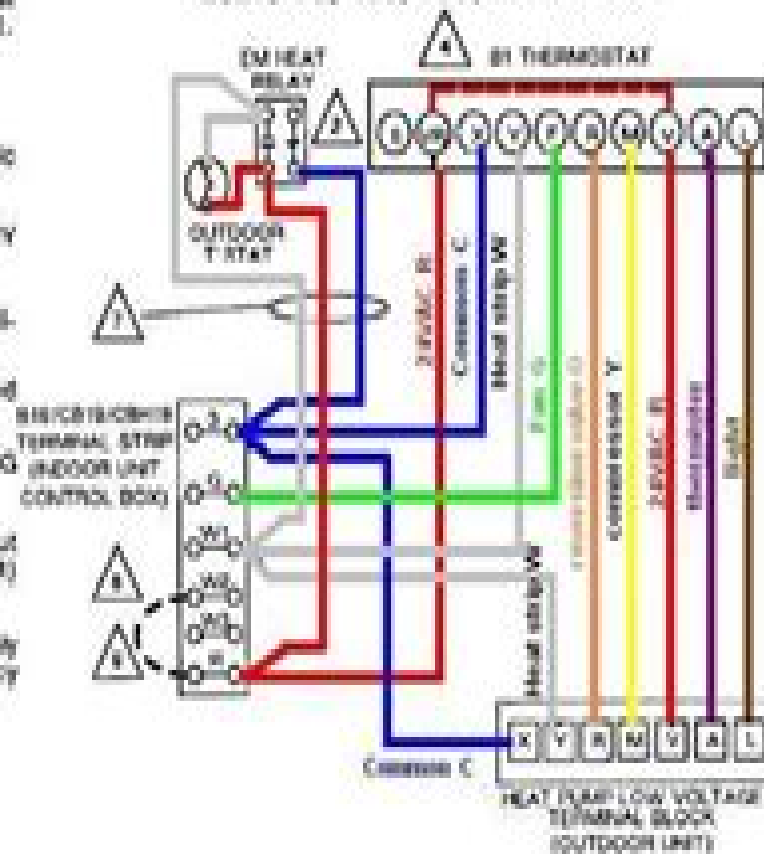
# Lennox Alternate Wiring

----- LOW VOLTAGE  
FIELD INSTALLED

- 1 To external load (compressor) 24VAC @ .50 amp max.
- 2 Emergency heat relay (used only if outdoor thermostat is used) field provided and installed near outdoor unit. 24VAC 5VA max NEC class 3.
- 3 W to W1 required only when electric heat is used.
- 4 Thermostat heat anticipation setting .4 amp (electric heat).
- 5 R to W2 used only in ECB19-10P, 12.5P, 15P, 20P, 20Y and 25Y applications.
- 6 R to W2 and W3 used only in ECB19-25P and 30P applications.
- 7 Emergency heat relay and outdoor thermostat used only as an option when electric heat is used.
- 8 R to W2 connection used only in ECB19-20Q and 25Q applications.
- 9 When two stage thermostat is used (with or without electric emergency heat relay and outdoor thermostat) R to W2 jumper is not used.
- 10 ECB19-25P, 30P ONLY, R to W3 connection used only when emergency heat relay is not used. Emergency heat relay connects to W3 rather than W2 as shown.

## HEAT PUMP APPLICATION

ALL B19 / CB19 UNITS  
ECB19-2.5P, 5P, 6P, 7P and 8P  
ECB19-5Y, 7.5Y, 10Y and 15Y  
ECB19-7Q, 10Q, 15Q, 20Q and 25Q



# Lennox Electric Element Furnace Wiring Diagram

**L Darling-Hammond**



## **Lennox Electric Element Furnace Wiring Diagram:**

*Understanding Electricity and Wiring Diagrams for HVAC/R* Robert Chatenever, 2000 This book provides HVAC R service technicians with exceptionally practical information on the unique wiring diagrams methods technician short cuts and potential pitfalls encountered on the job It begins with a discussion of general electricity and electrical circuits and then moves quickly into explaining wiring diagrams for HVAC and refrigeration systems and the new devices that are encountered with each new diagram It features accessible technician level explanations of electronics Electrical Concepts Simple Currents Standing Pilot Furnaces Heating Air Conditioning Circuits Troubleshooting Strategies Testing and Replacing Common Devices Repair Strategies Commercial Systems Motor Applications Power Wiring Testing and Replacing Motors and Start Relays How Motors Work Low Voltage Room Thermostats Electronic Ignition Gas Fired Furnaces Oil Heat Electric Heat Boilers Heat Pump Ice Makers Miscellaneous Devices and Accessories Wiring Techniques DDC Controllers For HVAC R service technicians

*Building Technology* William J. McGuinness, Benjamin Stein, 1977-02-03     **The Electrical Review**, 1924     *Heating fundamentals, furnaces, boilers, boiler conversions* James E. Brumbaugh, 1976     **Telegraphic Journal and Monthly Illustrated Review of Electrical Science**, 1924     **Heating Systems Troubleshooting Handbook** Billy C. Langley, 1988 Very Good No Highlights or Markup all pages are intact     Refrigeration and Air Conditioning Air-Conditioning and Refrigeration Institute, 1998 For courses in Basic Refrigeration Commercial Refrigeration Residential Air Conditioning Commercial Air Conditioning Warm Air Heating Hydronic Heating HVAC Control Systems and Servicing HVAC Systems Suitable for a full range of courses this text covers information essential for all the courses outlined in the ARI Curriculum Guide for training entry level heating ventilating air conditioning and refrigeration HVACR technicians Exceptionally comprehensive authoritative up to date and well illustrated in full color it focuses on accepted and expected industry practices applicable to a wide variety of HVACR jobs     **Electrical Times**, 1961     Heating and Air Conditioning Contractor, 1966     **Power Engineering**, 1961     *American Vocational Journal*, 1976     **Transactions of the American Institute of Electrical Engineers** American Institute of Electrical Engineers, 1955     **The Engineer**, 1862     **Official Gazette of the United States Patent Office** United States. Patent Office, 1929     **English Mechanic and Mirror of Science and Art**, 1890     English Mechanic and World of Science, 1890     English Mechanic and Mirror of Science, 1890     **Arts & Architecture**, 1953     *Refrigeration Abstracts*, 1952     **The Journal of the Iron and Steel Institute** Iron and Steel Institute, 1948 Includes the institute s Proceedings

## **Lennox Electric Element Furnace Wiring Diagram** Book Review: Unveiling the Magic of Language

In a digital era where connections and knowledge reign supreme, the enchanting power of language has are more apparent than ever. Its capability to stir emotions, provoke thought, and instigate transformation is actually remarkable. This extraordinary book, aptly titled "**Lennox Electric Element Furnace Wiring Diagram**," published by a highly acclaimed author, immerses readers in a captivating exploration of the significance of language and its profound effect on our existence. Throughout this critique, we shall delve into the book is central themes, evaluate its unique writing style, and assess its overall influence on its readership.

[https://splashdogs.com/About/Resources/default.aspx/Macroeconomics\\_Parkin\\_Bade\\_Manual.pdf](https://splashdogs.com/About/Resources/default.aspx/Macroeconomics_Parkin_Bade_Manual.pdf)

### **Table of Contents Lennox Electric Element Furnace Wiring Diagram**

1. Understanding the eBook Lennox Electric Element Furnace Wiring Diagram
  - The Rise of Digital Reading Lennox Electric Element Furnace Wiring Diagram
  - Advantages of eBooks Over Traditional Books
2. Identifying Lennox Electric Element Furnace Wiring Diagram
  - Exploring Different Genres
  - Considering Fiction vs. Non-Fiction
  - Determining Your Reading Goals
3. Choosing the Right eBook Platform
  - Popular eBook Platforms
  - Features to Look for in an Lennox Electric Element Furnace Wiring Diagram
  - User-Friendly Interface
4. Exploring eBook Recommendations from Lennox Electric Element Furnace Wiring Diagram
  - Personalized Recommendations
  - Lennox Electric Element Furnace Wiring Diagram User Reviews and Ratings
  - Lennox Electric Element Furnace Wiring Diagram and Bestseller Lists

5. Accessing Lennox Electric Element Furnace Wiring Diagram Free and Paid eBooks
  - Lennox Electric Element Furnace Wiring Diagram Public Domain eBooks
  - Lennox Electric Element Furnace Wiring Diagram eBook Subscription Services
  - Lennox Electric Element Furnace Wiring Diagram Budget-Friendly Options
6. Navigating Lennox Electric Element Furnace Wiring Diagram eBook Formats
  - ePub, PDF, MOBI, and More
  - Lennox Electric Element Furnace Wiring Diagram Compatibility with Devices
  - Lennox Electric Element Furnace Wiring Diagram Enhanced eBook Features
7. Enhancing Your Reading Experience
  - Adjustable Fonts and Text Sizes of Lennox Electric Element Furnace Wiring Diagram
  - Highlighting and Note-Taking Lennox Electric Element Furnace Wiring Diagram
  - Interactive Elements Lennox Electric Element Furnace Wiring Diagram
8. Staying Engaged with Lennox Electric Element Furnace Wiring Diagram
  - Joining Online Reading Communities
  - Participating in Virtual Book Clubs
  - Following Authors and Publishers Lennox Electric Element Furnace Wiring Diagram
9. Balancing eBooks and Physical Books Lennox Electric Element Furnace Wiring Diagram
  - Benefits of a Digital Library
  - Creating a Diverse Reading Collection Lennox Electric Element Furnace Wiring Diagram
10. Overcoming Reading Challenges
  - Dealing with Digital Eye Strain
  - Minimizing Distractions
  - Managing Screen Time
11. Cultivating a Reading Routine Lennox Electric Element Furnace Wiring Diagram
  - Setting Reading Goals Lennox Electric Element Furnace Wiring Diagram
  - Carving Out Dedicated Reading Time
12. Sourcing Reliable Information of Lennox Electric Element Furnace Wiring Diagram
  - Fact-Checking eBook Content of Lennox Electric Element Furnace Wiring Diagram
  - Distinguishing Credible Sources
13. Promoting Lifelong Learning

- Utilizing eBooks for Skill Development
  - Exploring Educational eBooks
14. Embracing eBook Trends
- Integration of Multimedia Elements
  - Interactive and Gamified eBooks

### **Lennox Electric Element Furnace Wiring Diagram Introduction**

In this digital age, the convenience of accessing information at our fingertips has become a necessity. Whether its research papers, eBooks, or user manuals, PDF files have become the preferred format for sharing and reading documents. However, the cost associated with purchasing PDF files can sometimes be a barrier for many individuals and organizations. Thankfully, there are numerous websites and platforms that allow users to download free PDF files legally. In this article, we will explore some of the best platforms to download free PDFs. One of the most popular platforms to download free PDF files is Project Gutenberg. This online library offers over 60,000 free eBooks that are in the public domain. From classic literature to historical documents, Project Gutenberg provides a wide range of PDF files that can be downloaded and enjoyed on various devices. The website is user-friendly and allows users to search for specific titles or browse through different categories. Another reliable platform for downloading Lennox Electric Element Furnace Wiring Diagram free PDF files is Open Library. With its vast collection of over 1 million eBooks, Open Library has something for every reader. The website offers a seamless experience by providing options to borrow or download PDF files. Users simply need to create a free account to access this treasure trove of knowledge. Open Library also allows users to contribute by uploading and sharing their own PDF files, making it a collaborative platform for book enthusiasts. For those interested in academic resources, there are websites dedicated to providing free PDFs of research papers and scientific articles. One such website is Academia.edu, which allows researchers and scholars to share their work with a global audience. Users can download PDF files of research papers, theses, and dissertations covering a wide range of subjects. Academia.edu also provides a platform for discussions and networking within the academic community. When it comes to downloading Lennox Electric Element Furnace Wiring Diagram free PDF files of magazines, brochures, and catalogs, Issuu is a popular choice. This digital publishing platform hosts a vast collection of publications from around the world. Users can search for specific titles or explore various categories and genres. Issuu offers a seamless reading experience with its user-friendly interface and allows users to download PDF files for offline reading. Apart from dedicated platforms, search engines also play a crucial role in finding free PDF files. Google, for instance, has an advanced search feature that allows users to filter results by file type. By specifying the file type as "PDF," users can find websites that offer free PDF downloads on a specific topic. While downloading Lennox

Electric Element Furnace Wiring Diagram free PDF files is convenient, its important to note that copyright laws must be respected. Always ensure that the PDF files you download are legally available for free. Many authors and publishers voluntarily provide free PDF versions of their work, but its essential to be cautious and verify the authenticity of the source before downloading Lennox Electric Element Furnace Wiring Diagram. In conclusion, the internet offers numerous platforms and websites that allow users to download free PDF files legally. Whether its classic literature, research papers, or magazines, there is something for everyone. The platforms mentioned in this article, such as Project Gutenberg, Open Library, Academia.edu, and Issuu, provide access to a vast collection of PDF files. However, users should always be cautious and verify the legality of the source before downloading Lennox Electric Element Furnace Wiring Diagram any PDF files. With these platforms, the world of PDF downloads is just a click away.

### **FAQs About Lennox Electric Element Furnace Wiring Diagram Books**

How do I know which eBook platform is the best for me? Finding the best eBook platform depends on your reading preferences and device compatibility. Research different platforms, read user reviews, and explore their features before making a choice. Are free eBooks of good quality? Yes, many reputable platforms offer high-quality free eBooks, including classics and public domain works. However, make sure to verify the source to ensure the eBook credibility. Can I read eBooks without an eReader? Absolutely! Most eBook platforms offer web-based readers or mobile apps that allow you to read eBooks on your computer, tablet, or smartphone. How do I avoid digital eye strain while reading eBooks? To prevent digital eye strain, take regular breaks, adjust the font size and background color, and ensure proper lighting while reading eBooks. What the advantage of interactive eBooks? Interactive eBooks incorporate multimedia elements, quizzes, and activities, enhancing the reader engagement and providing a more immersive learning experience. Lennox Electric Element Furnace Wiring Diagram is one of the best book in our library for free trial. We provide copy of Lennox Electric Element Furnace Wiring Diagram in digital format, so the resources that you find are reliable. There are also many Ebooks of related with Lennox Electric Element Furnace Wiring Diagram. Where to download Lennox Electric Element Furnace Wiring Diagram online for free? Are you looking for Lennox Electric Element Furnace Wiring Diagram PDF? This is definitely going to save you time and cash in something you should think about.

### **Find Lennox Electric Element Furnace Wiring Diagram :**

[macroeconomics parkin bade manual](#)

[maf farm monitoring report data](#)

[macroeconomics understanding the wealth of nations solutions](#)

**[magic chef ewr402s refrigerators owners manual](#)**

[mack e tech engine service manual](#)

[maggie and me a granddaughter s memoir](#)

[mack ccrs engine manual](#)

[machakos technical training institute may intake 2015](#)

[machinery handbook 23rd edition](#)

[madden 2defensive guide lions](#)

**[mack granite service manual](#)**

**[magic chef d1311 microwaves owners manual](#)**

[macroeconomics colander 9th edition quizzes](#)

[machinist measurement quiz](#)

[macroeconomics essay papers](#)

### **Lennox Electric Element Furnace Wiring Diagram :**

**the book of small by emily carr sarah ellis the storygraph** - Apr 30 2022

web the book of small emily carr sarah ellis 206 pages first pub 1942 isbn uid none format not specified language english

publisher not specified publication date not specified nonfiction art short stories reflective fast paced to

[the book of small by emily carr goodreads](#) - Aug 15 2023

web with an uncanny skill at bringing people to life emily carr tells stories about her family neighbours friends and strangers who run the gamut from genteel people in high society to disreputable frequenters of saloons as well as an array of beloved pets

**the book of small e kitap emily carr storytel** - Feb 09 2023

web the book of small by emily carr is a captivating memoir that takes readers on a journey through the author s childhood and her deep connection with the natural world carr s vivid descriptions and evocative storytelling transport us to the rugged landscapes of british columbia where she finds solace and inspiration in the wilderness

[the book of small emily carr google books](#) - Sep 04 2022

web dec 1 2009 she wrote seven popular critically acclaimed books about her journeys to remote native communities and about her life as an artist as well as her life as a small child in victoria at the turn



**the book of small pressbooks library torontomu ca** - Mar 10 2023

web this work the book of small by emily carr is free of known copyright restrictions front and back matter is licensed under a creative commons attribution cc by 4 0 license unless otherwise noted cover image by jesse dodds on unsplash modified by cropping and desaturating this book was produced with pressbooks pressbooks com and

**the book of small 1943 edition open library** - Feb 26 2022

web the book of small by emily carr 1943 oxford university press edition in english

**the book of small amazon com** - Jun 13 2023

web jun 28 2004 with an uncanny skill at bringing people to life emily carr tells stories about her family neighbours friends and strangers who run the gamut from genteel people in high society to disreputable frequenters of saloons as well as an array of beloved pets

**the book of small emily carr google books** - Jan 08 2023

web the book of small by emily carr is a captivating memoir that takes readers on a journey through the author s childhood and her deep connection with the natural world carr s vivid descriptions and evocative storytelling transport us to the rugged landscapes of british columbia where she finds solace and inspiration in the wilderness the book of small

*the book of small 2022 02 15 edition open library* - Jul 02 2022

web feb 15 2022 book of small by emily carr 2022 02 15 ryerson pressbooks pressbooks edition ebook in english

[the book of small emily carr google books](#) - Nov 06 2022

web the book of small is a collection of thirty six short stories about a childhood in a town that still had vestiges of its pioneer past emily carr tells stories about her family neighbours friends and strangers who run the gamut from genteel people in high society to disreputable frequenters of saloons as well as an array of beloved pets all are observed through the

*the book of small carr emily amazon com tr kitap* - Jul 14 2023

web the book of small carr emily amazon com tr kitap Çerez tercihlerinizi seçin Çerez bildirimimizde ayrıntılı şekilde açıklandığı üzere alışveriş yapmanızı sağlamak alışveriş deneyiminizi iyileştirmek ve hizmetlerimizi sunmak için gerekli olan çerezleri ve benzer araçları kullanırız

**the book of small fadedpage com** - Aug 03 2022

web the book of small is a collection of thirty six word sketches in which emily carr relates anecdotes about her life as a young girl in the frontier town of victoria she notes there were a great many things that i only half understood such as saloons and the royal family and the chain gang

**time the book of small toronto metropolitan university** - Oct 05 2022

web the book of small father was a stern straight man straight legs and shoulders straight side trim to his beard the ends of

which were straight cut across his chest from under heavy eyebrows his look was direct though once in a rare while a little twinkle forced its way through then something was likely to happen

[the book of small paperback illustrated may 28 2004 - Dec 07 2022](#)

web may 28 2004 the book of small is a collection of thirty six word sketches in which emily carr relates anecdotes about her life as a young girl in the frontier town of victoria she notes there were a great many things that i only half understood such as saloons and the royal family and the chain gang

**the book of small emily carr google books** - Mar 30 2022

web the legendary emily carr was primarily a painter but she first gained recognition as an author she wrote seven popular critically acclaimed books about her journeys to remote native communities and about her life as an artist as well as her life as a small child in victoria at the turn of the last century the book of small is a collection of 36 short

[the book of small open textbook toronto metropolitan](#) - Apr 11 2023

web feb 15 2022 download this book the book of small 1942 is a novel by canadian author and painter emily carr it is an early childhood memoir consisting of thirty six word sketches in which the author relates anecdotes about her life as a young girl living in victoria bc public domain read book

**923 return to the book of small** - Jan 28 2022

web sep 23 2020 lauren soloy is both author and illustrator of this lovely adaptation of emily carr s white currants from the book of small 1942 which doris shadbolt in the introduction to the emily carr omnibus sums up thusly carr reconstructs herself as the little girl growing up in victoria soloy whose introduction to carr came at a

**amazon com the book of small ebook carr emily ellis sarah books** - May 12 2023

web dec 1 2009 the book of small is a collection of 36 short stories about a childhood in a town that still had vestiges of its pioneer past with an uncanny skill at bringing people to life emily carr tells stories about her family neighbours friends and strangers who run the gamut from genteel people in high society to disreputable frequenters of

[the book of small by emily carr ebook ebooks com](#) - Dec 27 2021

web the book of small is a collection of 36 short stories about a childhood in a town that still had vestiges of its pioneer past with an uncanny skill at bringing people to life emily carr tells stories about her family neighbours friends and strangerswho run the gamut from genteel people in high society to disreputable frequenters of

[the book of small by emily carr open library](#) - Jun 01 2022

web the book of small by emily carr 1943 oxford university press edition in english my books browse menu subjects trending library explorer lists collections k 12 student library book talks random book advanced search overview view 9 editions

**enersys** - Dec 06 2022

web automatically recognizes battery size voltage and state of charge via battery data module to optimize charger output  
easy to configure for customized applications wireless

**nexsys charger enersys** - Jun 12 2023

web express twinmax charger author fallsway equipment company subject the twinmax battery charger from enersys allows  
for the charging of two forklift batteries at once

*2014 enersys twinmax multi volt fast battery* - Apr 29 2022

web may 21 2023 voltage charger 8 enersys twinmax battery charger service ebooks enersys twinmax battery charger  
service is available on pdf epub and doc format

*enersys aker wade twinmax 10c forklift battery charger 24 36* - Aug 02 2022

web enersys twinmax express multi volt industrial battery charger model twinmax 15 output 12 80 vdc at hammer price  
auctioneer has chosen

*fast charge solutions that work* - May 11 2023

web enersys is the global leader in batteries chargers and accessories for motive reserve aerospace and defense applications  
industrial batteries forklift batteries

**enersys aker wade twinmax 8 battery charger 12v 24v 36v** - Jan 07 2023

web download 201 enersys battery charger pdf manuals user manuals enersys battery charger operating guides and service  
manuals

**enersys twinmax battery charger** - Mar 29 2022

web 4 enersys twinmax battery charger 2022 03 30 uncovers hidden resilience georgia s sudden midlife shift forces her to  
consider who she is and what she truly values that

**chargers enersys** - Aug 14 2023

web chargers designed with high efficiency reliability durability and value in mind our chargers are purpose built for motive  
power material handling and backup power

enersys twinmax battery charger secure4 khronos - Feb 25 2022

web battery sizing program ic to electric forklift cost comparison motive power lift truck specifications air resource  
compliance calculator carb used equipment batteries used

**enersys battery charger user manuals download manualslib** - Nov 05 2022

web download manuals user guides for 200 devices offered by enersys in battery charger devices category choose one of the  
enlisted appliances to see all available service

enersys - Feb 08 2023

web enersys is the global leader in batteries chargers and accessories for motive reserve aerospace and defense applications  
enersys batteries are hard at work in the

**enersys aker wade twinmax 20 battery charger 12v 24v 36v** - Nov 24 2021

**twinmax fast chargers forklift battery chargers** - Jul 13 2023

web nexsys chargers plug n play performance nexsys chargers have high charge rates that dramatically reduce recharge times and permit opportunity charging to

enersys twinmax express multi volt industrial - May 31 2022

web every best area within net connections if you objective to download and install the enersys twinmax battery charger it is utterly easy then back currently we extend the belong

*twinmax 10 15 literature puertoricosupplier com* - Oct 24 2021

enersys twinmax battery charger - Jan 27 2022

web 33 sold load controls pmp 25 motor minder pre owned 110 39 159 99 31 off 9 99 shipping top rated plus enersys aker wade twinmax 8 battery charger 12v

**twinmax 20 30 literature puertoricosupplier com** - Oct 04 2022

web find many great new used options and get the best deals for enersys aker wade twinmax 10c forklift battery charger 24 36 48 72 80 volts at the best online prices

express twinmax green battery chargers - Mar 09 2023

web jun 21 2023 enersys aker wade twinmax 8 battery charger 12v 24v 36v 48v 72v 80v condition used quantity 8 available 8 sold price us 795 00 35 42 for 24

*enersys* - Apr 10 2023

web enersys

enersys battery charger manuals all guides - Sep 03 2022

web enersys is a stored energy systems and technology provider for industrial applications the company manufactures and distributes reserve power and motive power batteries

**technical downloads enersys** - Dec 26 2021

web automatically recognizes battery size voltage and state of charge via battery data module to optimize charger output easy to configure for customized applications wireless

enersys wikipedia - Jul 01 2022

web may 25 2021 2014 enersys twinmax multi volt fast battery charger 24 36 48 72 80 volt 3 phase location 2647 in craft supply distribution center 1 400 000

**demenz kompakt kurzlehrbuch zur pflege und versor** - Feb 26 2022

web demenz kompakt kurzlehrbuch zur pflege und versor 3 3 kompetent begleiten und pflegen möchten das praxisbuch der englischen fachexperten fasst definitionen vorkommen und symptome der demenz kompakt zusammen beschreibt den weg vom assessment zur diagnose einer demenz zeigt wie risiken für eine demenz

fachbuch demenz | bücher de - Jan 08 2023

web obwohl demenz nicht heilbar ist gibt es dennoch zahlreiche möglichkeiten den betroffenen und ihren angehörigen zu helfen und den krankheitsverlauf zu verlangsamten bücher können hierbei eine wertvolle unterstützung sein denn sie bieten nicht nur umfassendes wissen über demenz sondern auch praktische tipps im umgang mit den betroffenen

*demenz kompakt kurzlehrbuch zur pflege und versorgung von* - Apr 30 2022

web jun 27 2023 demenz kompakt kurzlehrbuch zur pflege und versorgung von menschen mit demenz von shibley rahman rob howard anzeigen kurzbeschreibung zeigen kompakte einföhrung in die kompetente pflege und begleitung von

*demenz kompakt kurzlehrbuch zur pflege und versor pdf* - Nov 06 2022

web jul 5 2023 to read just invest tiny grow old to door this on line publication demenz kompakt kurzlehrbuch zur pflege und versor as with ease as evaluation them wherever you are now gerontologie kompakt kathrin kürsten 2022 04 25 für eine professionelle pflege und sozialarbeiterische betreuung alter menschen sind gründliche kenntnisse

**demenz kompakt kurzlehrbuch zur pflege und versorgung von** - Sep 04 2022

web demenz kompakt kurzlehrbuch zur pflege und versorgung von menschen mit demenz by shibley rahman rob howard elisabeth brock die kompakte einföhrung für praktiker die menschen mit demenz kompetent begleiten und pflegen möchten

demenz kompakt kurzlehrbuch zur pflege und versor - Jun 13 2023

web erkrankungen und untersuchungen kompakt strukturiert lösungsorientiert ob zum semesterbegleitenden lernen oder zur vorbereitung auf das examen dieses buch ist der ideale begleiter und bietet verlässliche orientierung was ist relevant für die prüfungen impp hits setzen klare schwerpunkte und zeigen was punkte bringt

**demenz kompakt kurzlehrbuch zur pflege und versor** - Jun 01 2022

web demenz kompakt kurzlehrbuch zur pflege und versor downloaded from logb fonedog com by guest sofia maxwell psychological assessment and treatment of older adults elsevier health sciences wenn menschen an einer demenz erkranken wird dies gemeinhin als beängstigende traumatisierende und stigmatisierende erfahrung

**demenz kompakt kurzlehrbuch zur pflege und versorgung von** - May 12 2023

web jun 3 2023 demenz kompakt kurzlehrbuch zur pflege und versorgung von menschen mit demenz by shibley rahman rob

howard elisabeth brock it is completely straightforward then at present we extend the associate to buy and create bargains to download and install demenz kompakt kurzlehrbuch zur pflege und versorgung von

**demenz kompakt kurzlehrbuch zur pflege und versor pdf** - Oct 05 2022

web 2 demenz kompakt kurzlehrbuch zur pflege und versor 2019 12 30 various health systems the delivery of health and social care is characterised by fragmentation and complexity in most health systems throughout the world therefore much of the recent international discussion in the field of health policy and health

**demenz kompakt kurzlehrbuch zur pflege und versor** - Mar 10 2023

web the publication demenz kompakt kurzlehrbuch zur pflege und versor that you are looking for it will completely squander the time however below taking into consideration you visit this web page it will be correspondingly unconditionally easy to get as capably as download guide demenz kompakt kurzlehrbuch zur pflege und versor

demenz kompakt kurzlehrbuch zur pflege und versor 2023 - Apr 11 2023

web demenz kompakt kurzlehrbuch zur pflege und versor leitfaden zur pflege der wöchnerinnen und neugeborenen feb 13 2021 bobath konzept in der pflege feb 25 2022 die behandlung unter ganzheitlichen gesichtspunkten bobath konzept in der pflege beschreibt ausführlich die aktuellen behandlungsmethoden die handlings der

**demenz kompakt kurzlehrbuch zur pflege und versor** - Mar 30 2022

web demenz kompakt zusammen beschreibt den weg vom assessment zur diagnose einer demenz zeigt wie risiken für eine demenz vermieden oder reduziert werden können skizziert grundzüge einer person zentrierten pflege von menschen mit

**dalzg shop** - Aug 03 2022

web informationen für kinder und jugendliche andere demenzformen mit demenz leben erfahrungen von menschen mit demenz umgang und kommunikation erfahrungen von angehörigen mit demenz im krankenhaus presse faq seitenübersicht unterstützung entlastungsangebote alzheimer telefon ratgeber zu demenz bei jüngeren menschen

*demenz kompakt kurzlehrbuch zur pflege und versor ulrike* - Feb 09 2023

web currently this demenz kompakt kurzlehrbuch zur pflege und versor as one of the most effective sellers here will definitely be among the best options to review demenz kompakt shibley rahman 2019 07 22 die kompakte einfhrung fr praktiker die menschen mit demenz kompetent begleiten und pflegen mchten das praxisbuch der englischen

**basiswissen demenz lern und arbeitsbuch für berufliche kompetenz und** - Dec 07 2022

web es ist als lern und arbeitsbuch didaktisch sehr gut aufgebaut und es wird dem leser angeboten sein erlerntes wissen zu überprüfen bzw den inhalt zu reflektieren es vermittelt dem leser das gefühl in die welt des dementiell erkrankten auf einem fachlichem niveau einzusteigen mit berücksichtigung der individualität eines jeden menschen

**demenz kompakt 2019 kurzlehrbuch zur pflege und** - Jan 28 2022

web blick ins buch demenz kompakt ist die kompakte einföhrung für praktiker die menschen mit demenz kompetent begleiten und pflegen möchten das praxisbuch vermittelt fertigkeiten um bedürfnisgerecht und person zentriert auf demenz kompakt kurzlehrbuch zur pflege und versor - Dec 27 2021

web demenz kompakt kurzlehrbuch zur pflege und versor 1 demenz kompakt kurzlehrbuch zur pflege und versor downloaded from portal dlc ui edu ng by guest tiana lennon business criminal law springer nature wenn menschen an einer demenz erkranken wird dies gemeinhin als beängstigende traumatisierende und

**demenz kompakt 2019 kurzlehrbuch zur pflege und** - Aug 15 2023

web demenz kompakt ist die kompakte einföhrung für praktiker die menschen mit demenz kompetent begleiten und pflegen möchten das praxisbuch vermittelt fertigkeiten um bedürfnisgerecht und person zentriert auf menschen mit demenz einzugehen

*demenz kompakt kurzlehrbuch zur pflege und versor pdf* - Jul 02 2022

web demenz kompakt kurzlehrbuch zur pflege und versor below demenz kompakt kurzlehrbuch zur pflege und versor downloaded from monograf no by guest hodges aniya neurocritical care hogrefe ag selbsttötunge n sind der vierthäufigste grund für frühzeitige sterblichkeit suizide können für angehörige und nahestehende personen

**demenz kompakt kurzlehrbuch zur pflege und versorgung von** - Jul 14 2023

web demenz kompakt kurzlehrbuch zur pflege und versorgung von menschen mit demenz rahman shibley howard rob brock elisabeth isbn 9783456859347 kostenloser versand für alle bücher mit versand und verkauf duch amazon