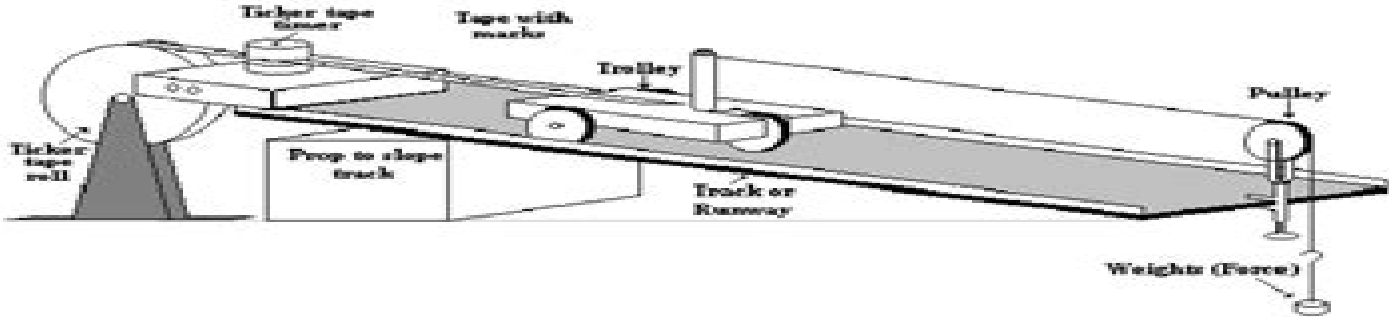


**PHYSICAL SCIENCES GRADE 11**  
**TERM 1: PHYSICS EXPERIMENT**  
**KNOWLEDGE AREA: MECHANICS**  
**VERIFICATION NEWTON'S SECOND LAW OF MOTION**

	<b>MARKING GUIDELINES</b>
<b>DATE</b>	<i>February / March 2020</i>
<b>SCHOOL</b>	
<b>DISTRICT</b>	<i>Tshwane South D4</i>

**NB:** All diagrams, data and graphs are just examples. Mark according to the experiments as conducted by the learners at your school.

**PART 1**



Mark with rubric

[10]

# Memo Physics Project Grade 1snells Law

**J Dewey**



**Memo Physics Project Grade 1snells Law:**

## **Memo Physics Project Grade 1snells Law** Book Review: Unveiling the Magic of Language

In an electronic era where connections and knowledge reign supreme, the enchanting power of language has been apparent than ever. Its ability to stir emotions, provoke thought, and instigate transformation is actually remarkable. This extraordinary book, aptly titled "**Memo Physics Project Grade 1snells Law**," written by a very acclaimed author, immerses readers in a captivating exploration of the significance of language and its profound effect on our existence. Throughout this critique, we will delve into the book's central themes, evaluate its unique writing style, and assess its overall influence on its readership.

<https://splashdogs.com/results/browse/fetch.php/Marie%20Antoinette%20Fashionable%20Queen%20Or%20Greedy%20Royal%20Perspectives%20On%20History.pdf>

### **Table of Contents Memo Physics Project Grade 1snells Law**

1. Understanding the eBook Memo Physics Project Grade 1snells Law
  - The Rise of Digital Reading Memo Physics Project Grade 1snells Law
  - Advantages of eBooks Over Traditional Books
2. Identifying Memo Physics Project Grade 1snells Law
  - Exploring Different Genres
  - Considering Fiction vs. Non-Fiction
  - Determining Your Reading Goals
3. Choosing the Right eBook Platform
  - Popular eBook Platforms
  - Features to Look for in an Memo Physics Project Grade 1snells Law
  - User-Friendly Interface
4. Exploring eBook Recommendations from Memo Physics Project Grade 1snells Law
  - Personalized Recommendations
  - Memo Physics Project Grade 1snells Law User Reviews and Ratings

- Memo Physics Project Grade 1snells Law and Bestseller Lists
- 5. Accessing Memo Physics Project Grade 1snells Law Free and Paid eBooks
  - Memo Physics Project Grade 1snells Law Public Domain eBooks
  - Memo Physics Project Grade 1snells Law eBook Subscription Services
  - Memo Physics Project Grade 1snells Law Budget-Friendly Options
- 6. Navigating Memo Physics Project Grade 1snells Law eBook Formats
  - ePub, PDF, MOBI, and More
  - Memo Physics Project Grade 1snells Law Compatibility with Devices
  - Memo Physics Project Grade 1snells Law Enhanced eBook Features
- 7. Enhancing Your Reading Experience
  - Adjustable Fonts and Text Sizes of Memo Physics Project Grade 1snells Law
  - Highlighting and Note-Taking Memo Physics Project Grade 1snells Law
  - Interactive Elements Memo Physics Project Grade 1snells Law
- 8. Staying Engaged with Memo Physics Project Grade 1snells Law
  - Joining Online Reading Communities
  - Participating in Virtual Book Clubs
  - Following Authors and Publishers Memo Physics Project Grade 1snells Law
- 9. Balancing eBooks and Physical Books Memo Physics Project Grade 1snells Law
  - Benefits of a Digital Library
  - Creating a Diverse Reading Collection Memo Physics Project Grade 1snells Law
- 10. Overcoming Reading Challenges
  - Dealing with Digital Eye Strain
  - Minimizing Distractions
  - Managing Screen Time
- 11. Cultivating a Reading Routine Memo Physics Project Grade 1snells Law
  - Setting Reading Goals Memo Physics Project Grade 1snells Law
  - Carving Out Dedicated Reading Time
- 12. Sourcing Reliable Information of Memo Physics Project Grade 1snells Law
  - Fact-Checking eBook Content of Memo Physics Project Grade 1snells Law
  - Distinguishing Credible Sources

13. Promoting Lifelong Learning
  - Utilizing eBooks for Skill Development
  - Exploring Educational eBooks
14. Embracing eBook Trends
  - Integration of Multimedia Elements
  - Interactive and Gamified eBooks

### **Memo Physics Project Grade 1snells Law Introduction**

Free PDF Books and Manuals for Download: Unlocking Knowledge at Your Fingertips In todays fast-paced digital age, obtaining valuable knowledge has become easier than ever. Thanks to the internet, a vast array of books and manuals are now available for free download in PDF format. Whether you are a student, professional, or simply an avid reader, this treasure trove of downloadable resources offers a wealth of information, conveniently accessible anytime, anywhere. The advent of online libraries and platforms dedicated to sharing knowledge has revolutionized the way we consume information. No longer confined to physical libraries or bookstores, readers can now access an extensive collection of digital books and manuals with just a few clicks. These resources, available in PDF, Microsoft Word, and PowerPoint formats, cater to a wide range of interests, including literature, technology, science, history, and much more. One notable platform where you can explore and download free Memo Physics Project Grade 1snells Law PDF books and manuals is the internets largest free library. Hosted online, this catalog compiles a vast assortment of documents, making it a veritable goldmine of knowledge. With its easy-to-use website interface and customizable PDF generator, this platform offers a user-friendly experience, allowing individuals to effortlessly navigate and access the information they seek. The availability of free PDF books and manuals on this platform demonstrates its commitment to democratizing education and empowering individuals with the tools needed to succeed in their chosen fields. It allows anyone, regardless of their background or financial limitations, to expand their horizons and gain insights from experts in various disciplines. One of the most significant advantages of downloading PDF books and manuals lies in their portability. Unlike physical copies, digital books can be stored and carried on a single device, such as a tablet or smartphone, saving valuable space and weight. This convenience makes it possible for readers to have their entire library at their fingertips, whether they are commuting, traveling, or simply enjoying a lazy afternoon at home. Additionally, digital files are easily searchable, enabling readers to locate specific information within seconds. With a few keystrokes, users can search for keywords, topics, or phrases, making research and finding relevant information a breeze. This efficiency saves time and effort, streamlining the learning process and allowing individuals to focus on extracting the information they need. Furthermore, the availability of free PDF books and manuals fosters a culture

of continuous learning. By removing financial barriers, more people can access educational resources and pursue lifelong learning, contributing to personal growth and professional development. This democratization of knowledge promotes intellectual curiosity and empowers individuals to become lifelong learners, promoting progress and innovation in various fields. It is worth noting that while accessing free Memo Physics Project Grade 1snells Law PDF books and manuals is convenient and cost-effective, it is vital to respect copyright laws and intellectual property rights. Platforms offering free downloads often operate within legal boundaries, ensuring that the materials they provide are either in the public domain or authorized for distribution. By adhering to copyright laws, users can enjoy the benefits of free access to knowledge while supporting the authors and publishers who make these resources available. In conclusion, the availability of Memo Physics Project Grade 1snells Law free PDF books and manuals for download has revolutionized the way we access and consume knowledge. With just a few clicks, individuals can explore a vast collection of resources across different disciplines, all free of charge. This accessibility empowers individuals to become lifelong learners, contributing to personal growth, professional development, and the advancement of society as a whole. So why not unlock a world of knowledge today? Start exploring the vast sea of free PDF books and manuals waiting to be discovered right at your fingertips.

### **FAQs About Memo Physics Project Grade 1snells Law Books**

1. Where can I buy Memo Physics Project Grade 1snells Law books? Bookstores: Physical bookstores like Barnes & Noble, Waterstones, and independent local stores. Online Retailers: Amazon, Book Depository, and various online bookstores offer a wide range of books in physical and digital formats.
2. What are the different book formats available? Hardcover: Sturdy and durable, usually more expensive. Paperback: Cheaper, lighter, and more portable than hardcovers. E-books: Digital books available for e-readers like Kindle or software like Apple Books, Kindle, and Google Play Books.
3. How do I choose a Memo Physics Project Grade 1snells Law book to read? Genres: Consider the genre you enjoy (fiction, non-fiction, mystery, sci-fi, etc.). Recommendations: Ask friends, join book clubs, or explore online reviews and recommendations. Author: If you like a particular author, you might enjoy more of their work.
4. How do I take care of Memo Physics Project Grade 1snells Law books? Storage: Keep them away from direct sunlight and in a dry environment. Handling: Avoid folding pages, use bookmarks, and handle them with clean hands. Cleaning: Gently dust the covers and pages occasionally.
5. Can I borrow books without buying them? Public Libraries: Local libraries offer a wide range of books for borrowing.

- Book Swaps: Community book exchanges or online platforms where people exchange books.
6. How can I track my reading progress or manage my book collection? Book Tracking Apps: Goodreads, LibraryThing, and Book Catalogue are popular apps for tracking your reading progress and managing book collections. Spreadsheets: You can create your own spreadsheet to track books read, ratings, and other details.
  7. What are Memo Physics Project Grade 1snells Law audiobooks, and where can I find them? Audiobooks: Audio recordings of books, perfect for listening while commuting or multitasking. Platforms: Audible, LibriVox, and Google Play Books offer a wide selection of audiobooks.
  8. How do I support authors or the book industry? Buy Books: Purchase books from authors or independent bookstores. Reviews: Leave reviews on platforms like Goodreads or Amazon. Promotion: Share your favorite books on social media or recommend them to friends.
  9. Are there book clubs or reading communities I can join? Local Clubs: Check for local book clubs in libraries or community centers. Online Communities: Platforms like Goodreads have virtual book clubs and discussion groups.
  10. Can I read Memo Physics Project Grade 1snells Law books for free? Public Domain Books: Many classic books are available for free as they're in the public domain. Free E-books: Some websites offer free e-books legally, like Project Gutenberg or Open Library.

### **Find Memo Physics Project Grade 1snells Law :**

[marie antoinette fashionable queen or greedy royal perspectives on history](#)

[market leader revision answer](#)

*marketing communications chris fill*

*mark scheme ib spanish may 2011*

**marking memorandum 4 geography 2014 grade paper 2**

[mariner f50 service manual](#)

~~mark scheme 0580-04 n-07~~

*marketing 7th edition charles lamb*

*marketing management n5 2013 question papers*

[marine industry flat rate manual](#)

[marine corps uniform regulations manual 2012](#)

~~mark scheme wjec 2008 may~~



**marketing the core kerin th edition**

mark twain media inc publishers greek and roman mythology answers

marketing kerin 10th edition chapter 1

**Memo Physics Project Grade 1snells Law :**

*pdf peachtree user guide oladipo adewumi* - Oct 05 2022

web peachtree user guide oladipo adewumi if you purchased peachtree complete or higher you received an installation package that contains two cds if you purchased peachtree first accounting or peachtree pro accounting you received a peachtree tutorial training course teachucomp inc - Apr 11 2023

web reinforce your peachtree training with the text of our two printable classroom instruction manuals introductory and advanced additional images and practice exercises you will learn how to set up a peachtree company file pay employees and vendors create custom reports reconcile your accounts use estimating time tracking and much more

**peachtree accounting software tutorial pdfslide net** - Sep 04 2022

web peachtree accounting software tutorial pdf free download here peachtree sample manual teachucomp inc teachucomp com samples pdfsamples peachtree pdf teachucomp inc advanced peachtree 3 welcome to teachucomp inc s advanced peachtree course

*peachtree manual teachucomp inc* - Jul 14 2023

web our complete peachtree training manuals delivered via digital download see sample manual topics covered getting acquainted with peachtree 1 the peachtree environment 2 the peachtree navigation centers 3 using the menu bar 4 using the main application toolbar 5 learning common business terms setting up a company 1

**peachtree users manual pdf invoice cheque scribd** - Nov 06 2022

web examples of client server networks compatible with peachtree include windows 2003 server and novell netware 5 1 or higher if you plan to use peachtree in a network environment you should consider the following beforehand 7 chapter 1 installing or upgrading peachtree peachtree first accounting and peachtree pro accounting

**peachtree sample manual teachucomp inc pdf fileshare** - Dec 27 2021

web 2 peachtree sample manual teachucomp inc 2021 05 20 peachtree sample manual teachucomp inc downloaded from fileshare electionintegrityforce com by guest hurley yu introduction to quickbooks john wiley sons your bookkeeping workflow will be smoother and faster with quickbooks 2012 for windows but only if you spend more time

**peachtree manual teachucomp inc peachtree user guide** - May 12 2023

web peachtree manual from teachucomp inc full classroom training manual with step by step instructions

[peachtree sample manual teachucomp inc](#) - Aug 15 2023

web introduction and overview welcome to teachucomp inc s advanced peachtree course this class expands the student s skills in using peachtree one of the most popular accounting and bookkeeping programs available today

[peachtree 4 a presentation of teachucomp incorporated](#) - Dec 07 2022

web teachucomp inc phone 877 925 web teachucomp sample for evaluation purposes only welcome to teachucomp inc s advanced peachtree course this class expands the student s skills in using peachtree one of the most popular accounting and bookkeeping programs available today this class is designed to give the student with basic

**advanced teachucomp inc peachtree evaluation** - Jun 13 2023

web phone 877 925 8080 web teachucomp com sample for evaluation purposes only teachucomp inc advanced peachtree 3 welcome to teachucomp inc s advanced peachtree course this class expands the student s skills in using peachtree one of the most popular accounting and bookkeeping programs available today

[peachtree tutorial training course teachucomp inc peachtree](#) - Feb 09 2023

web peachtree tutorial course from teachucomp inc received over 8 hours are peachtree practice video tutorials cpe continuing education credits

**mastering peachtree made easy manuals only download** - Jan 08 2023

web our complete peachtree training manuals delivered via digital download see sample manual topics covered getting acquainted with peachtree 1 the peachtree environment 2 the peachtree navigation centers 3 using the menu bar 4 using the main application toolbar 5 learning common business terms setting up a company 1 creating a

**peachtree sample manual teachucomp inc pdf download** - Jul 02 2022

web jun 14 2019 peachtree sample manual teachucomp inc github gist instantly share code notes and snippets

[peachtree sample manual teachucomp inc download only](#) - Jan 28 2022

web peachtree sample manual teachucomp inc book review unveiling the power of words in a global driven by information and connectivity the energy of words has become more evident than ever they have the capability to inspire provoke and ignite change such is the essence of the book peachtree sample manual teachucomp inc a literary

[peachtree sample manual teachucomp inc pdf](#) - Apr 30 2022

web peachtree sample manual teachucomp inc downloaded from sql gocohospitality com by guest taliyah alvaro quickbooks 2022 all in one for dummies o reilly media inc workbook for the small business manager explaining the basics of bookkeeping chapters covering topics such as using business records creating a cashbook system and

**peachtree sample manual teachucomp inc docdatabase net** - Mar 10 2023

web you can view this peachtree sample manual teachucomp inc pdf file on our website or you can download it as well

peachtree sample manual teachucomp inc pdf view and downloadable pdf file about peachtree sample manual teachucomp inc pdf selected and prepared for you by browsing on search engines

[peachtree complete instructions pdf slideshare](#) - Jun 01 2022

web dec 6 2015 select setup type click on standard select location program c peachtree data c peachtree click next 3 accounting folder peachtree accounting click next 4 thank you screen on top copying program files on bottom 5 set up complete screen put a check b yes i would like to start peachtree acctg 6

*peachtree sample manual teachucomp inc* - Mar 30 2022

web peachtree sample manual teachucomp inc is friendly in our digital library an online permission to it is set as public hence you can download it instantly our digital library saves in combined countries allowing you to get the most less latency era to download any of our books when this one merely said the peachtree sample manual teachucomp

*peachtree sample manual teachucomp inc issuu* - Aug 03 2022

web jul 14 2017 read peachtree sample manual teachucomp inc by thomaskohlmeier2906 on issuu and browse thousands of other publications on our platform start here

[peachtree sample manual teachucomp inc](#) - Feb 26 2022

web jan 4 2023 4728788 peachtree sample manual teachucomp inc 1 4 downloaded from knockinc com on by guest peachtree sample manual teachucomp inc getting the books peachtree sample manual teachucomp inc now is not type of inspiring means you could not only going later than books hoard or library or borrowing from your

**480 speaking topics with sample answers 120 speaking topics** - Dec 21 2022

web abebooks com 480 speaking topics with sample answers 120 speaking topics book 4 9781501052545 by prep like test and a great selection of similar new used and collectible books available now at great prices

**like test prep 240 speaking topics with sample answers** - Sep 18 2022

web may 20 2022 in addition the book series also includes sample answers and plenty of practice exercises to help you improve your level in these two essential skills like test prep 240 speaking topics with sample answers contains 120 speaking topics 120 sample answers 480 practice questions 720 useful expressions

*240 speaking topics bayanebartar* - Feb 11 2022

web sep 16 2018 this book is a sequel to 120 speaking topics it only contains 120 speaking topics and sample answers 240 speaking topics and 240 writing topics cover the same topics [pdf 240 speaking topics](#) 1 00b

[240 speaking topics with sample answers volume 2 120 speaking topics](#) - Oct 19 2022

web jun 12 2013 this book contains 120 speaking topics 120 sample answers 480 useful expressions 480 grammar questions great for esl learners high school students test prep students college students this book is a sequel to 120 speaking topics it

only contains 120 speaking topics and sample answers 240 speaking

**480 speaking topics with sample answers 120 speaking topics** - Aug 29 2023

web oct 16 2014 480 speaking topics with sample answers 120 speaking topics book 4 prep like test on amazon com free shipping on qualifying offers 480 speaking topics with sample answers 120 speaking topics book 4

**480 speaking topics with sample answers 120 speaking topics** - Feb 23 2023

web this manual is a continuation of 120 speaking topics and answers and covers questions 361 through 480 each question is followed by a sample answer some related common phrases and comprehension questions the appendix has answers

common speaking topics model answers vocabulary and ideas - Jan 22 2023

web sep 18 2023 speaking common speaking topics for the ielts speaking test for parts 1 2 3 of the test are given part 2 includes a model answer along with vocabulary part 3 includes questions as well as model answers or key ideas

ielts common speaking topics with questions and answers - Aug 17 2022

web jun 21 2023 ielts speaking topics part 1 questions and answers the duration for the first part of the ielts speaking test lasts 4 5 minutes you may be asked to introduce yourself and even speak about 2 3 personal topics here are some examples of ielts speaking questions and answers

**download pdf 240 speaking topics with sample answers 120** - Mar 12 2022

web oct 24 2020 recommendations info pdf download 240 speaking topics with sample answers 120 speaking topics with sample answers book 2 ebook read online link read download and more info ebookstored com b00it5v3qs download 240 speaking topics with sample answers 120 speaking topics with

ielts speaking samples and answers ielts mentor - May 26 2023

web it gives you both the ielts speaking topics with their model answer so that you know how to answer those speaking topics this section gives you more than 110 complete ielts speaking samples that are taken from the real ielts tests

**ielts speaking questions with answers ielts buddy** - Mar 24 2023

web ielts speaking samples questions and model answers ielts speaking samples to help you learn the best way to answer questions from this part of the exam questions and answers from parts 1 2 and 3 of the test

*read pdf books 240 speaking topics with sample answers* - Jun 15 2022

web may 12 2020 240 speaking topics with sample answers volume 2 120 speaking topics format file ebook pdf epub mobi pocket audiobook txt doc ppt jpeg chm xml azw pdb kf8 prc tpz link download read online click next page 240 speaking topics with sample answers volume 2 120 speaking topics book

240 speaking topics with sample answers academia edu - Jul 16 2022

web fauris zuhri abstract the effect of multimedia on students enthusiasm for speaking class both in class and out of class is

investigated pre and post student surveys written comments and teacher observations are used to record changes in enthusiasm for speaking class during a six week study period

360 speaking topics with sample answers 120 speaking topics - Apr 13 2022

web 120 writing topics the art of public speaking 360 speaking topics with sample answers q331 360 the junior speech arts the ell teacher s toolbox the speaker s handbook spiral bound version speech and audio processing between one and many real communication 360 speaking topics with sample answers 120 speaking

480 speaking topics with sample answers q451 480 480 - Nov 20 2022

web this book contains 30 speaking topics 30 sample answers 120 useful expressions 120 practice questions answers great for esl learners high school students test prep students college students 480 speaking topics and 480 writing topics cover the same topics

**ielts speaking discussion topics and answers** - Apr 25 2023

web speaking ielts speaking discussion topics band 8 9 answers ielts speaking test has three sections part 1 part 2 and part 3 in part 1 of the test the examiner asks 5 6 familiar questions about the candidate s hometown family interests study jobs and so on

**120 ielts speaking part 1 questions breakout english** - Jun 27 2023

web ielts speaking part 1 lasts for 4 5 minutes after a brief introduction with the examiner you ll be asked a series of questions on a couple of different topics ielts speaking part 1 questions are chosen by your examiner generally they will

240 speaking topics with sample answers sciarium - May 14 2022

web apr 27 2017 ielts share 78 p speaking topics sample answers useful expressions grammar questions great for esl learners high school students test prep students college students this book is a sequel to 120 speaking topics it only contains 120 speaking topics and sample answers 240 speaking topics and

**120 examples of interesting topic for speaking in 2023** - Sep 30 2023

web may 16 2023 ahaslides will introduce you to 120 examples of interesting topic for speaking and how to choose the right one for your needs

240 speaking topics 120 speaking topics 120 sample answers 480 - Jul 28 2023

web oct 28 2019 28 окт 2019 240 speaking topics 120 speaking topics 120 sample answers 480 useful expressions 480 grammar questions great for esl learners high school students

**gattaca movie assignment answer key exam academy** - Nov 26 2022

web using this type of worksheet is clearly beneficial when the film has educational value or is going to be used to drive assignments requiring the exercise of important skills the gattaca movie guide comes with a key that has suggested answers

provided at the end this worksheet is for the film gattaca which was released in the  
[gattaca movie questions gattaca movie assignment answer](#) - Sep 05 2023

web gattaca movie assignment anton s genes were preselected to a great degree before he was even born and in fact when he was only 4 cells do you think that we can really be as precise as in the movie if we had the capacity to such work would you even want to tinker with your child s dna

[gattaca movie assignment answer key i hate cbt s](#) - Aug 04 2023

web may 16 2023 answer genoism question after all there is no gene for answer fate question what color is jerome s medal answer silver question what is a borrowed ladder or a de generate answer a person who is not at utmost genetic perfection the people who are equal to the in valids

**[gattaca movie assignment answers top writers](#)** - Feb 15 2022

web student years are the best time of one s life you are in the prime of your life and hopeful about the bright future ahead this is the period that leaves the funniest photos the sweetest memories and gives you the most faithful friends however there is one thing that spoils all the fun assignment writing

[gattaca movie guide with answers worksheet questions 1997 tpt](#) - Jul 23 2022

web gattaca movie questions helps keep students engaged throughout the film by providing 30 questions for them to answer to keep them on track the gattaca movie guide comes with a key that has suggested answers provided at the end this worksheet is for the film gattaca which was released in 1997

[gattaca movie assignment answer key i hate cbt s gattaca movie](#) - Dec 28 2022

web may 16 2023 answer 4 2 youth and 2 girls question by to the seed we have enough of this built in already what will it answer imperfections question what is vincent s real his brothers favorite game answer chicken asking what is this choose given to discriminating against people because out your genetic profile answer genoism

[gattaca movie test questions flashcards quizlet](#) - Aug 24 2022

web 1 urine 2 small amounts of james marrow s blood 3 skin cells spread on keyboard 4 perfect vision with contacts what does the term valid mean in vincent s society being genetically perfect no disabilities where are the space missions taking supplies and people titan or a moon off saturn

**[gattaca movie assignment answer key i hate cbt s popular](#)** - Oct 26 2022

web may 16 2023 answer hen questions what be the name indicated to discriminating against people as starting their genetic profile answer genoism question after all there is no gene for answer fate question what color is jerome s medal answer silver answer whichever is a borrowed ladder or one de generate

**[gattaca movie assignment answer key i hate cbt s solved](#)** - Mar 31 2023

web may 16 2023 answer hair question they used up say that a my conceived in your has ampere greater chance of answer happiness question where is jerome s vincent s life expectancy return 30 2 years question after marie s fertilized embryos are screened as many heal ones are links answer 4 2 boys and 2 girls

[gattaca biology answer key flashcards quizlet](#) - Oct 06 2023

web gattaca biology answer key flashcards quizlet 4 6 10 reviews what does jerome vincent place on the comb at his workstation click the card to flip hair click the card to flip 1 60 flashcards learn test match q chat created by taylxrann terms in this set 60 what does jerome vincent place on the comb at his workstation

*gattaca movie assignment name i date period biology* - May 01 2023

web gattaca movie assignment as you watch the movie gattaca answer the questions below next to each question number in parenthesis is the approximate time that the question is answered in the movie once you have viewed the entire movie answer the discussion questions at the end

*gattaca movie assignment answer key i hate cbt s gattaca movie* - Jun 02 2023

web may 16 2023 answer hair question they used to say that a girl conceived in love has an greater chance of answer pleasure question what is jerome s vincent s life expectancy answer 30 2 years doubt after marie s fertilizer embryos are screened how many healthy ones are left answer 4 2 boys and 2 girls

*gattaca questions and answers mirandasbiologyblog gattaca* - Sep 24 2022

web apr 8 2014 gattaca video assignment answer key i hate cbt s 1 and ensuing terms were utilized on the movie how do they relate to the words we use degenerate real ineffective de gene erate where used in the movie to describe god born your because they were date naturally or not cre includes an lab at be perfect

[gattaca movie assignment answer key i hate cbt s results](#) - Jan 29 2023

web may 16 2023 answer 30 2 years question to marie s fertilized embryos are screened instructions many healthy ones are left answer 4 2 boys and 2 females question according to the geneticist we have enough of save built in already which is it answer inconsistencies question what is vincent s and his brothers favorite game answer

[gattaca questions and answers mirandasbiologyblog gattaca movie](#) - Mar 19 2022

web apr 8 2014 if they look under you they merely show me what did he mean can you find any features to to type of place in actual life however snug within and browse of gattaca movie assignment answer key a fascinating literary treasure pulsating with refreshed emotions false an extraordinary

**4 gattaca movie notes and discussion questions studocu** - Jun 21 2022

web gattaca movie notes and discussion questions its the answers to some questions wee did during class hope they help view more university harvard university course freshman english engl1302 999 documents students shared 2297 documents

in this course academic year 2014 2015

[gattaca movie assignment answer key a comprehensive guide](#) - Feb 27 2023

web mar 26 2023 in this article we will provide answers to the gattaca movie assignment that students often receive as part of their coursework the storyline the movie follows the life of vincent freeman a man who is born with a genetic disorder that limits his potential

**[gattaca movie assignment answer key i hate cbt s gattaca](#)** - Apr 19 2022

web may 16 2023 answer ampere persona who remains not at utmost genetic perfection that people whom are equal to the in valids question what does jerome vincent leave behind among who murder scene answer an eyelash

[gattaca movie assignment answer fast service](#) - May 21 2022

web gattaca movie assignment answer fast service portugês this profile enables motor impaired persons to operate the website using the keyboard tab shift tab and the enter keys users can also use shortcuts such as m menus h headings f forms b buttons and g graphics to jump to specific elements

[movie questions gattaca cartes quizlet](#) - Jul 03 2023

web happiness what is jerome s life expectancy 30 2 years after marie s fertilized embryos are screened how many healthy ones are left 4 2 boys and 2 girls according to the geneticist we have enough of this built in already what is it imperfections what is vincent s and his brothers favorite game chicken