

21213

4 Hours / 100 Marks

Seat No.

4	5	9	6	2	8	-	+
---	---	---	---	---	---	---	---

- Instructions :**
- (1) All Questions are *compulsory*.
 - (2) Illustrate your answers with neat sketches wherever necessary.
 - (3) Figures to the right indicate full marks.
 - (4) Assume suitable data, if necessary.
 - (5) Use of Non-Programmable Electronic Pocket Calculator is permissible.
 - (6) Mobile Phone, Pager and any other Electronic Communication devices are not permissible in Examination Hall.
 - (7) Use only H/2H grade pencil.

1. (a) A pictorial view of an object is shown in Fig. 1. Draw following views by using 1st Angle method of projection :
- | | |
|---|---|
| (1) Sectional F.V; section along A – A. | 5 |
| (2) Left hand side view. | 5 |

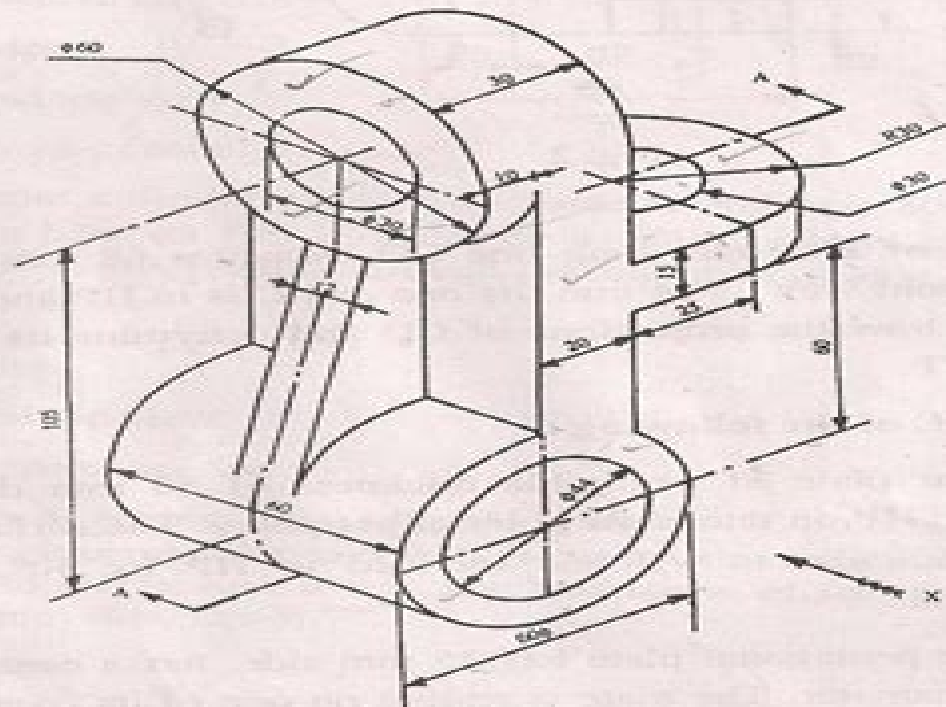


Fig. 1

N3 Engineering Drawing Question Paper 2013

Kathleen Armour



N3 Engineering Drawing Question Paper 2013:

Meganiese tekene en ontwerp Gustav Frans Watkins,1987 *N3 Engineering Drawing* kristy Cochius,2014
Engineering Drawing N3 SB ,2015 **Engineering Drawing** ,2012 **Engineering drawing exam papers** ,1974
Engineering Drawing Exam Papers ,1978-01-01 Questions in Engineering Drawing Franklin De Ronde
Furman,1919 **Engineering Drawing Exam Papers, Book 1 'O' Grade** ,1971 *Engineering Drawing and Graphics*
Kenneth Alan Pocock,1972 Engineering Drawing Paige Davis,Karen Reneé Juneau,2003 **Engineering Drawing**
Practices United States. Department of Defense,1967 **Engineering Drawing Practice** ,1966 *Fundamentals of*
Engineering Drawing , **Engineering Drawing with Worked Examples** Fred Pickup,1970 Engineering Drawing
Practice British Standards Institution,1972 Engineering Drawing Arthur William Lewis,1966 **Engineering Drawing**
with Worked Examples Fred Pickup,Maurice Arthur Parker,1959 *Engineering Drawing: For PTU* Shah & Rana,2011
Engineering Drawing For PTU has been tailor made for students of Punjab Technical University It brings together the
theoretical and practical aspects of engineering drawing Not only are the diagrams in this book neat and precise but each of
them is also accompanied by an easy to understand and logical step by step method of drawing Care has been taken to
provide students with relevant study material to help them tackle their university examinations To that end three solved
university question papers have been appended to the book in addition to a compilation of model short answer questions
Engineering Drawing - A Practice Book J.R. Mehta,2009-01-01 **Quiz Questions to Accompany French's**
Engineering Drawing John M. Russ,1943

Yeah, reviewing a books **N3 Engineering Drawing Question Paper 2013** could amass your close contacts listings. This is just one of the solutions for you to be successful. As understood, talent does not suggest that you have astounding points.

Comprehending as with ease as union even more than new will have enough money each success. neighboring to, the pronouncement as capably as acuteness of this N3 Engineering Drawing Question Paper 2013 can be taken as competently as picked to act.

https://splashdogs.com/results/browse/fetch.php/heat_thermodynamics_zemansky_4th_edition.pdf

Table of Contents N3 Engineering Drawing Question Paper 2013

1. Understanding the eBook N3 Engineering Drawing Question Paper 2013
 - The Rise of Digital Reading N3 Engineering Drawing Question Paper 2013
 - Advantages of eBooks Over Traditional Books
2. Identifying N3 Engineering Drawing Question Paper 2013
 - Exploring Different Genres
 - Considering Fiction vs. Non-Fiction
 - Determining Your Reading Goals
3. Choosing the Right eBook Platform
 - Popular eBook Platforms
 - Features to Look for in an N3 Engineering Drawing Question Paper 2013
 - User-Friendly Interface
4. Exploring eBook Recommendations from N3 Engineering Drawing Question Paper 2013
 - Personalized Recommendations
 - N3 Engineering Drawing Question Paper 2013 User Reviews and Ratings
 - N3 Engineering Drawing Question Paper 2013 and Bestseller Lists
5. Accessing N3 Engineering Drawing Question Paper 2013 Free and Paid eBooks
 - N3 Engineering Drawing Question Paper 2013 Public Domain eBooks

- N3 Engineering Drawing Question Paper 2013 eBook Subscription Services
- N3 Engineering Drawing Question Paper 2013 Budget-Friendly Options
- 6. Navigating N3 Engineering Drawing Question Paper 2013 eBook Formats
 - ePub, PDF, MOBI, and More
 - N3 Engineering Drawing Question Paper 2013 Compatibility with Devices
 - N3 Engineering Drawing Question Paper 2013 Enhanced eBook Features
- 7. Enhancing Your Reading Experience
 - Adjustable Fonts and Text Sizes of N3 Engineering Drawing Question Paper 2013
 - Highlighting and Note-Taking N3 Engineering Drawing Question Paper 2013
 - Interactive Elements N3 Engineering Drawing Question Paper 2013
- 8. Staying Engaged with N3 Engineering Drawing Question Paper 2013
 - Joining Online Reading Communities
 - Participating in Virtual Book Clubs
 - Following Authors and Publishers N3 Engineering Drawing Question Paper 2013
- 9. Balancing eBooks and Physical Books N3 Engineering Drawing Question Paper 2013
 - Benefits of a Digital Library
 - Creating a Diverse Reading Collection N3 Engineering Drawing Question Paper 2013
- 10. Overcoming Reading Challenges
 - Dealing with Digital Eye Strain
 - Minimizing Distractions
 - Managing Screen Time
- 11. Cultivating a Reading Routine N3 Engineering Drawing Question Paper 2013
 - Setting Reading Goals N3 Engineering Drawing Question Paper 2013
 - Carving Out Dedicated Reading Time
- 12. Sourcing Reliable Information of N3 Engineering Drawing Question Paper 2013
 - Fact-Checking eBook Content of N3 Engineering Drawing Question Paper 2013
 - Distinguishing Credible Sources
- 13. Promoting Lifelong Learning
 - Utilizing eBooks for Skill Development
 - Exploring Educational eBooks

14. Embracing eBook Trends

- Integration of Multimedia Elements
- Interactive and Gamified eBooks

N3 Engineering Drawing Question Paper 2013 Introduction

In this digital age, the convenience of accessing information at our fingertips has become a necessity. Whether its research papers, eBooks, or user manuals, PDF files have become the preferred format for sharing and reading documents. However, the cost associated with purchasing PDF files can sometimes be a barrier for many individuals and organizations. Thankfully, there are numerous websites and platforms that allow users to download free PDF files legally. In this article, we will explore some of the best platforms to download free PDFs. One of the most popular platforms to download free PDF files is Project Gutenberg. This online library offers over 60,000 free eBooks that are in the public domain. From classic literature to historical documents, Project Gutenberg provides a wide range of PDF files that can be downloaded and enjoyed on various devices. The website is user-friendly and allows users to search for specific titles or browse through different categories. Another reliable platform for downloading N3 Engineering Drawing Question Paper 2013 free PDF files is Open Library. With its vast collection of over 1 million eBooks, Open Library has something for every reader. The website offers a seamless experience by providing options to borrow or download PDF files. Users simply need to create a free account to access this treasure trove of knowledge. Open Library also allows users to contribute by uploading and sharing their own PDF files, making it a collaborative platform for book enthusiasts. For those interested in academic resources, there are websites dedicated to providing free PDFs of research papers and scientific articles. One such website is Academia.edu, which allows researchers and scholars to share their work with a global audience. Users can download PDF files of research papers, theses, and dissertations covering a wide range of subjects. Academia.edu also provides a platform for discussions and networking within the academic community. When it comes to downloading N3 Engineering Drawing Question Paper 2013 free PDF files of magazines, brochures, and catalogs, Issuu is a popular choice. This digital publishing platform hosts a vast collection of publications from around the world. Users can search for specific titles or explore various categories and genres. Issuu offers a seamless reading experience with its user-friendly interface and allows users to download PDF files for offline reading. Apart from dedicated platforms, search engines also play a crucial role in finding free PDF files. Google, for instance, has an advanced search feature that allows users to filter results by file type. By specifying the file type as "PDF," users can find websites that offer free PDF downloads on a specific topic. While downloading N3 Engineering Drawing Question Paper 2013 free PDF files is convenient, its important to note that copyright laws must be respected. Always ensure that the PDF files you download are legally available for free. Many authors and publishers voluntarily provide free PDF

versions of their work, but its essential to be cautious and verify the authenticity of the source before downloading N3 Engineering Drawing Question Paper 2013. In conclusion, the internet offers numerous platforms and websites that allow users to download free PDF files legally. Whether its classic literature, research papers, or magazines, there is something for everyone. The platforms mentioned in this article, such as Project Gutenberg, Open Library, Academia.edu, and Issuu, provide access to a vast collection of PDF files. However, users should always be cautious and verify the legality of the source before downloading N3 Engineering Drawing Question Paper 2013 any PDF files. With these platforms, the world of PDF downloads is just a click away.

FAQs About N3 Engineering Drawing Question Paper 2013 Books

What is a N3 Engineering Drawing Question Paper 2013 PDF? A PDF (Portable Document Format) is a file format developed by Adobe that preserves the layout and formatting of a document, regardless of the software, hardware, or operating system used to view or print it. **How do I create a N3 Engineering Drawing Question Paper 2013 PDF?** There are several ways to create a PDF: Use software like Adobe Acrobat, Microsoft Word, or Google Docs, which often have built-in PDF creation tools. Print to PDF: Many applications and operating systems have a "Print to PDF" option that allows you to save a document as a PDF file instead of printing it on paper. Online converters: There are various online tools that can convert different file types to PDF. **How do I edit a N3 Engineering Drawing Question Paper 2013 PDF?** Editing a PDF can be done with software like Adobe Acrobat, which allows direct editing of text, images, and other elements within the PDF. Some free tools, like PDFescape or Smallpdf, also offer basic editing capabilities. **How do I convert a N3 Engineering Drawing Question Paper 2013 PDF to another file format?** There are multiple ways to convert a PDF to another format: Use online converters like Smallpdf, Zamzar, or Adobe Acrobats export feature to convert PDFs to formats like Word, Excel, JPEG, etc. Software like Adobe Acrobat, Microsoft Word, or other PDF editors may have options to export or save PDFs in different formats. **How do I password-protect a N3 Engineering Drawing Question Paper 2013 PDF?** Most PDF editing software allows you to add password protection. In Adobe Acrobat, for instance, you can go to "File" -> "Properties" -> "Security" to set a password to restrict access or editing capabilities. Are there any free alternatives to Adobe Acrobat for working with PDFs? Yes, there are many free alternatives for working with PDFs, such as: LibreOffice: Offers PDF editing features. PDFsam: Allows splitting, merging, and editing PDFs. Foxit Reader: Provides basic PDF viewing and editing capabilities. How do I compress a PDF file? You can use online tools like Smallpdf, ILovePDF, or desktop software like Adobe Acrobat to compress PDF files without significant quality loss. Compression reduces the file size, making it easier to share and download. Can I fill out forms in a PDF file? Yes, most PDF viewers/editors like Adobe Acrobat, Preview (on Mac),

or various online tools allow you to fill out forms in PDF files by selecting text fields and entering information. Are there any restrictions when working with PDFs? Some PDFs might have restrictions set by their creator, such as password protection, editing restrictions, or print restrictions. Breaking these restrictions might require specific software or tools, which may or may not be legal depending on the circumstances and local laws.

Find N3 Engineering Drawing Question Paper 2013 :

~~heat thermodynamics zemansky 4th edition~~

~~[heavy duty exam questions](#)~~

~~[heir to the sundered crown](#)~~

~~heart shape cookie recipe~~

~~[hepa filter document](#)~~

help anatomy and physiology martini study guide

~~heidelberg saps application forms for 2014 and 2015~~

~~helping out holly a knocked up lust tale english edition~~

~~helen of troy annotated~~

hermle mechanical service manual

~~help desk guide~~

helms manual rsx

~~[heart racer heart racer college biker romance series english edition](#)~~

~~[heidelberg movp manual](#)~~

~~[hematology oncology secrets](#)~~

N3 Engineering Drawing Question Paper 2013 :

Biologia E Genetica De Leo Pdf Free - plasanivir - DiaryNote Feb 6, 2018 —

Title:....Read....Unlimited....Books....Online....Biologia....A....Genetica....De....Leo....Fasano....Pdf....Book....Keywords:....Get....free ... S. Fasano - E. Ginelli, Libri di BIOLOGIA, 9788836230013 Biologia e Genetica , G. De Leo - S. Fasano - E. Ginelli, EDISES, Libri testi BIOLOGIA. Biologia e genetica. Con e-book. Con software di ... Biologia e genetica. Con e-book. Con software di simulazione : De Leo, Giacomo, Ginelli, Enrico, Fasano, Silvia: Amazon.it: Libri. Answers to all your questions about the Kindle Unlimited ... With Kindle Unlimited, millions of digital books, audiobooks, comics, and magazines are a few

taps away. Learn how this popular Amazon subscription works. *Biologia e Genetica* (versione digitale ed estensioni online ... Autore: De Leo - Fasano - Ginelli, Categoria: Libri, Prezzo: € 51,21, Lunghezza: 618 pagine, Editore: Edises, Titolo: *Biologia e Genetica* (versione ... If you can't keep Kindle unlimited books forever, what's the ... I just got a Kindle and from my research, you can read lots of books for free with a Kindle unlimited subscription but they're still ... De leo ginelli fasano *biologia e genetica edises pdf* De leo ginelli fasano *biologia e genetica edises pdf*. Rating: 4.8 / 5 (3931 votes) Downloads: 61102 >>>CLICK HERE TO DOWNLOAD<<< Open a file in acrobat. *Ditch Witch R-65 Trencher Parts Manual* This parts catalog will provide detailed information on how to dismantle your machine through exploded views of the parts and components of your equipment ... *Ditch Witch R-65 Trencher Parts Manual* This Operation Instructions and Parts List manual has · been designed to provide you a quick. simple. easy-to-use · reference for ordering "Genuine DITCH WITCH ... *Ditch Witch R-65 Trencher Chassis Operators Manual* ... *Ditch Witch R-65 Trencher Chassis Operators Manual Parts Catalog* ; Item Number. 255888136739 ; Compatible Equipment Make. Ditch Witch ; Brand. Ditch Witch ... *New Parts Manual for Ditch Witch R65 Tractor Chassis* This Ditch Witch model R65 Tractor Parts Manual Trencher Chassis Only is a reproduction of the original factoryissued Parts ManualIt shows 34 pages of ... *Ditch Witch Plow Parts Manual A-DW-P-R65COMBO* Buy *Ditch Witch Plow Parts Manual A-DW-P-R65COMBO*, Part #A-DW-P-R65COMBO at Tired Iron Tractor Parts, we're experts in tractor restoration and repair. *Ditch Witch R-65 Vibratory Plow Attachment Parts Manual* Our Parts Manuals contains exploded views of your entire tractor or machine with parts listings and part numbers. This manual will never let you order ... *Ditch Witch R-65 Trencher Wisconsin Engine Service Manual* Written in the language of a mechanic, this Service Manual for Ditch Witch provides detailed information on how to take your Trencher Wisconsin Engine apart, ... *One New Operators & Parts Manual Fits Ditch Witch R-65* ... Buy *One New Operators & Parts Manual Fits Ditch Witch R-65 Trencher Models Interchangeable with RAP70888: Spare & Replacement Parts - Amazon.com* ☐ FREE ... *New Parts Manual for Ditch Witch R-65 Tractor Chassis* This Ditch Witch model R-65 Tractor Parts Manual (Trencher Chassis Only) is a reproduction of the original factory-issued Parts Manual. *Ditch Witch Chassis Parts Manual A-DW-P-R65* 34 pages - *Ditch Witch R-65 TRENCHER CHASSIS ONLY Parts Manual (PTS)*; Pages : 34. Sections and Models: Manuals > Manuals; *Ditch Witch TRENCHER: R-65*. *Daddy's Tempting Twins* by James Barton DADDY'S TEMPTING TWINS — a novel with a lesson for those unaware of what is really happening behind America's closed doors. GenresErotica. *Daddys tempting twins - Barton James* :: Режим чтения This is the story of two related families and one get-together of debauchery where family relationships mean nothing and the satisfaction of the senses means ... *Peyton (Taylor's Version)'s review of Daddy's Tempting Twins* This was really just Sarah J Maas and Cassandra Clare writing a book together. If you like thing like that then I guess you should read it. All 138 pages... AB-5063 EBOOK - *Daddy's Tempting Twins* by James Barton DADDY'S TEMPTING TWINS is the story of two related families and one get-together of debauchery where family relationships mean nothing and the satisfaction of ... *Daddy's Tempting*

Twins PP8020 by James Barton - 1977 Description: Salem Books. Hardcover. VERY GOOD. Light rubbing wear to cover, spine and page edges. Very minimal writing or notations in margins not affecting ... Daddy's Tempting Twins by James Barton (AB-5063) DADDY'S TEMPTING TWINS -- a novel with a lesson for those unaware of what is ... Daddy's Tempting Twins(62k) by James Barton Daddys tempting twins - PDF Free Download Author: Barton James. 582 downloads 3753 Views 473KB Size Report. This content was uploaded by our users and we assume good faith they have the permission ... Daddy's Tempting Twins - James Barton Jan 1, 1989 — Title, Daddy's Tempting Twins. Author, James Barton. Publisher, Greenleaf Classics, Incorporated, 1989. ISBN, 1559521805, 9781559521802. AB-5063 Daddy's Tempting Twins by James Barton (EB) First Line(s) Standing in the shadows outside their aunt's bedroom window, Trina and Trish Hogan held their breaths. Inside, their father stood with his ... PP-8020 Daddy's Tempting Twins by James Barton (EB) Jul 3, 2020 — First Line(s) Standing in the shadows outside their aunt's bedroom window, Trina and Trish Hogan held their breaths. Inside, their father ...