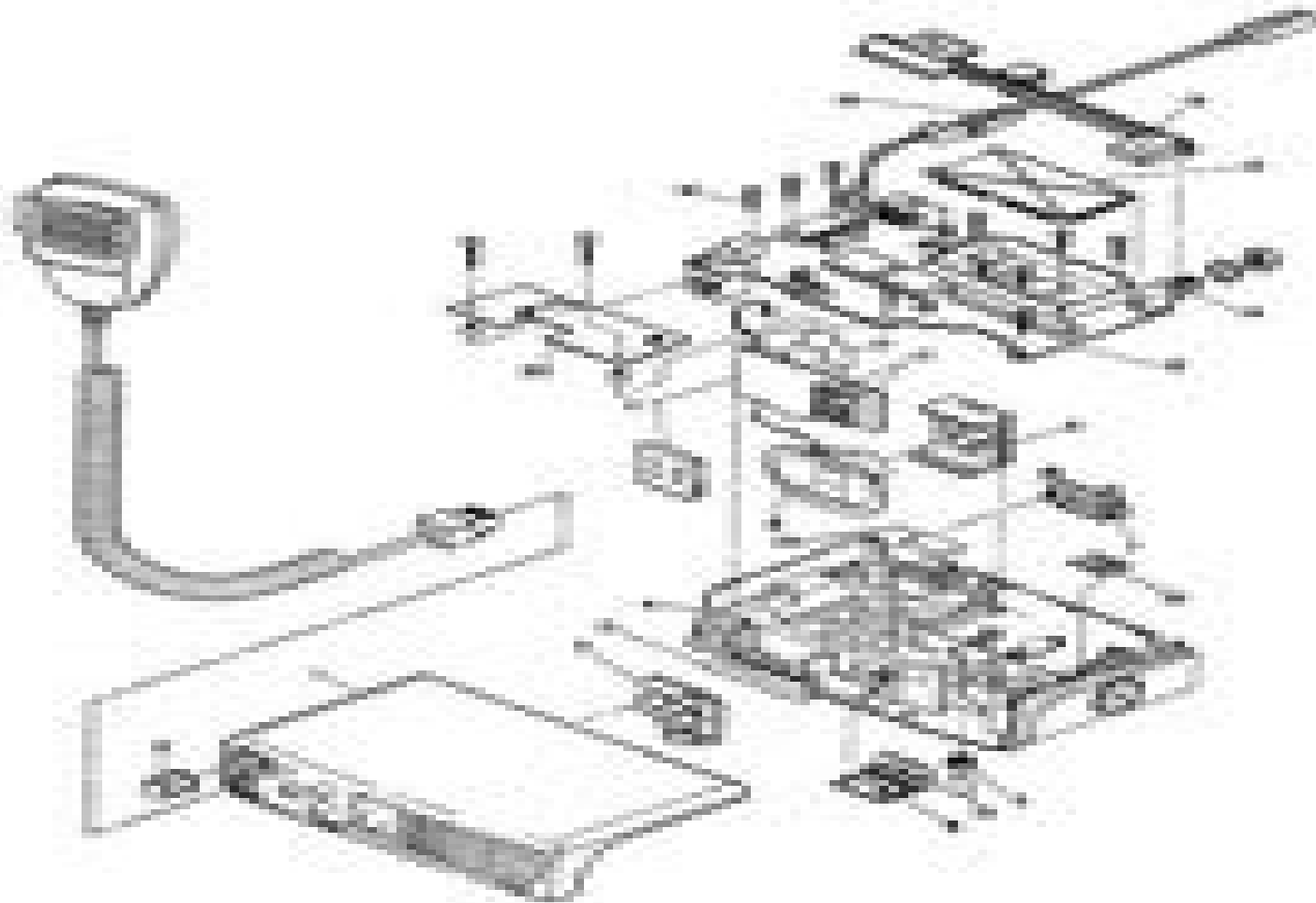




Parts List



Parts available for U.S. West service locations only.

Motorola Sm120 User Manual

ADRIAN. C. FAULKNER



Motorola Sm120 User Manual:

Eventually, you will completely discover a new experience and exploit by spending more cash. yet when? attain you consent that you require to acquire those all needs similar to having significantly cash? Why dont you attempt to get something basic in the beginning? Thats something that will guide you to understand even more in relation to the globe, experience, some places, in the same way as history, amusement, and a lot more?

It is your enormously own grow old to enactment reviewing habit. among guides you could enjoy now is **Motorola Sm120 User Manual** below.

<https://splashdogs.com/book/book-search/fetch.php/general%20motors%20scholarship%20application.pdf>

Table of Contents Motorola Sm120 User Manual

1. Understanding the eBook Motorola Sm120 User Manual
 - The Rise of Digital Reading Motorola Sm120 User Manual
 - Advantages of eBooks Over Traditional Books
2. Identifying Motorola Sm120 User Manual
 - Exploring Different Genres
 - Considering Fiction vs. Non-Fiction
 - Determining Your Reading Goals
3. Choosing the Right eBook Platform
 - Popular eBook Platforms
 - Features to Look for in an Motorola Sm120 User Manual
 - User-Friendly Interface
4. Exploring eBook Recommendations from Motorola Sm120 User Manual
 - Personalized Recommendations
 - Motorola Sm120 User Manual User Reviews and Ratings
 - Motorola Sm120 User Manual and Bestseller Lists
5. Accessing Motorola Sm120 User Manual Free and Paid eBooks

- Motorola Sm120 User Manual Public Domain eBooks
 - Motorola Sm120 User Manual eBook Subscription Services
 - Motorola Sm120 User Manual Budget-Friendly Options
6. Navigating Motorola Sm120 User Manual eBook Formats
- ePub, PDF, MOBI, and More
 - Motorola Sm120 User Manual Compatibility with Devices
 - Motorola Sm120 User Manual Enhanced eBook Features
7. Enhancing Your Reading Experience
- Adjustable Fonts and Text Sizes of Motorola Sm120 User Manual
 - Highlighting and Note-Taking Motorola Sm120 User Manual
 - Interactive Elements Motorola Sm120 User Manual
8. Staying Engaged with Motorola Sm120 User Manual
- Joining Online Reading Communities
 - Participating in Virtual Book Clubs
 - Following Authors and Publishers Motorola Sm120 User Manual
9. Balancing eBooks and Physical Books Motorola Sm120 User Manual
- Benefits of a Digital Library
 - Creating a Diverse Reading Collection Motorola Sm120 User Manual
10. Overcoming Reading Challenges
- Dealing with Digital Eye Strain
 - Minimizing Distractions
 - Managing Screen Time
11. Cultivating a Reading Routine Motorola Sm120 User Manual
- Setting Reading Goals Motorola Sm120 User Manual
 - Carving Out Dedicated Reading Time
12. Sourcing Reliable Information of Motorola Sm120 User Manual
- Fact-Checking eBook Content of Motorola Sm120 User Manual
 - Distinguishing Credible Sources
13. Promoting Lifelong Learning
- Utilizing eBooks for Skill Development

- Exploring Educational eBooks
- 14. Embracing eBook Trends
 - Integration of Multimedia Elements
 - Interactive and Gamified eBooks

Motorola Sm120 User Manual Introduction

In this digital age, the convenience of accessing information at our fingertips has become a necessity. Whether its research papers, eBooks, or user manuals, PDF files have become the preferred format for sharing and reading documents. However, the cost associated with purchasing PDF files can sometimes be a barrier for many individuals and organizations. Thankfully, there are numerous websites and platforms that allow users to download free PDF files legally. In this article, we will explore some of the best platforms to download free PDFs. One of the most popular platforms to download free PDF files is Project Gutenberg. This online library offers over 60,000 free eBooks that are in the public domain. From classic literature to historical documents, Project Gutenberg provides a wide range of PDF files that can be downloaded and enjoyed on various devices. The website is user-friendly and allows users to search for specific titles or browse through different categories. Another reliable platform for downloading Motorola Sm120 User Manual free PDF files is Open Library. With its vast collection of over 1 million eBooks, Open Library has something for every reader. The website offers a seamless experience by providing options to borrow or download PDF files. Users simply need to create a free account to access this treasure trove of knowledge. Open Library also allows users to contribute by uploading and sharing their own PDF files, making it a collaborative platform for book enthusiasts. For those interested in academic resources, there are websites dedicated to providing free PDFs of research papers and scientific articles. One such website is Academia.edu, which allows researchers and scholars to share their work with a global audience. Users can download PDF files of research papers, theses, and dissertations covering a wide range of subjects. Academia.edu also provides a platform for discussions and networking within the academic community. When it comes to downloading Motorola Sm120 User Manual free PDF files of magazines, brochures, and catalogs, Issuu is a popular choice. This digital publishing platform hosts a vast collection of publications from around the world. Users can search for specific titles or explore various categories and genres. Issuu offers a seamless reading experience with its user-friendly interface and allows users to download PDF files for offline reading. Apart from dedicated platforms, search engines also play a crucial role in finding free PDF files. Google, for instance, has an advanced search feature that allows users to filter results by file type. By specifying the file type as "PDF," users can find websites that offer free PDF downloads on a specific topic. While downloading Motorola Sm120 User Manual free PDF files is convenient, its important to note that copyright laws must be respected. Always ensure that the PDF files you download are legally

available for free. Many authors and publishers voluntarily provide free PDF versions of their work, but its essential to be cautious and verify the authenticity of the source before downloading Motorola Sm120 User Manual. In conclusion, the internet offers numerous platforms and websites that allow users to download free PDF files legally. Whether its classic literature, research papers, or magazines, there is something for everyone. The platforms mentioned in this article, such as Project Gutenberg, Open Library, Academia.edu, and Issuu, provide access to a vast collection of PDF files. However, users should always be cautious and verify the legality of the source before downloading Motorola Sm120 User Manual any PDF files. With these platforms, the world of PDF downloads is just a click away.

FAQs About Motorola Sm120 User Manual Books

How do I know which eBook platform is the best for me? Finding the best eBook platform depends on your reading preferences and device compatibility. Research different platforms, read user reviews, and explore their features before making a choice. Are free eBooks of good quality? Yes, many reputable platforms offer high-quality free eBooks, including classics and public domain works. However, make sure to verify the source to ensure the eBook credibility. Can I read eBooks without an eReader? Absolutely! Most eBook platforms offer webbased readers or mobile apps that allow you to read eBooks on your computer, tablet, or smartphone. How do I avoid digital eye strain while reading eBooks? To prevent digital eye strain, take regular breaks, adjust the font size and background color, and ensure proper lighting while reading eBooks. What the advantage of interactive eBooks? Interactive eBooks incorporate multimedia elements, quizzes, and activities, enhancing the reader engagement and providing a more immersive learning experience. Motorola Sm120 User Manual is one of the best book in our library for free trial. We provide copy of Motorola Sm120 User Manual in digital format, so the resources that you find are reliable. There are also many Ebooks of related with Motorola Sm120 User Manual. Where to download Motorola Sm120 User Manual online for free? Are you looking for Motorola Sm120 User Manual PDF? This is definitely going to save you time and cash in something you should think about. If you trying to find then search around for online. Without a doubt there are numerous these available and many of them have the freedom. However without doubt you receive whatever you purchase. An alternate way to get ideas is always to check another Motorola Sm120 User Manual. This method for see exactly what may be included and adopt these ideas to your book. This site will almost certainly help you save time and effort, money and stress. If you are looking for free books then you really should consider finding to assist you try this. Several of Motorola Sm120 User Manual are for sale to free while some are payable. If you arent sure if the books you would like to download works with for usage along with your computer, it is possible to download free trials. The free guides make it easy for someone to free access online library for download books to your device. You can get free download on free

trial for lots of books categories. Our library is the biggest of these that have literally hundreds of thousands of different products categories represented. You will also see that there are specific sites catered to different product types or categories, brands or niches related with Motorola Sm120 User Manual. So depending on what exactly you are searching, you will be able to choose e books to suit your own need. Need to access completely for Campbell Biology Seventh Edition book? Access Ebook without any digging. And by having access to our ebook online or by storing it on your computer, you have convenient answers with Motorola Sm120 User Manual To get started finding Motorola Sm120 User Manual, you are right to find our website which has a comprehensive collection of books online. Our library is the biggest of these that have literally hundreds of thousands of different products represented. You will also see that there are specific sites catered to different categories or niches related with Motorola Sm120 User Manual So depending on what exactly you are searching, you will be able to choose ebook to suit your own need. Thank you for reading Motorola Sm120 User Manual. Maybe you have knowledge that, people have search numerous times for their favorite readings like this Motorola Sm120 User Manual, but end up in harmful downloads. Rather than reading a good book with a cup of coffee in the afternoon, instead they juggled with some harmful bugs inside their laptop. Motorola Sm120 User Manual is available in our book collection an online access to it is set as public so you can download it instantly. Our digital library spans in multiple locations, allowing you to get the most less latency time to download any of our books like this one. Merely said, Motorola Sm120 User Manual is universally compatible with any devices to read.

Find Motorola Sm120 User Manual :

general motors scholarship application

geo 13 inscribed angles

genie pro cm7600 manual

geograph memorandum paper final exam 2014

genie model gict390 manual

general motors customer service complaints

geograph paper1 exemplar

geography grade 11 exemplar 2014

genie 2042 owners manual

general paper 201 examiner report papers xtremepapers

geog geography pnovember 2014 memorandum

gengras motorecycles east hartford ct

geography grade 12 supplementary question paper 2014
gentle cage english edition
geographical science paper1

Motorola Sm120 User Manual :

le labyrinthe tome 3 le remède mortel 3 pdf ftp bonide - Jan 02 2022

le labyrinthe tome 03 le remède mortel 3 amazon fr - Oct 23 2023

web le labyrinthe tome 03 le remède mortel 3 broché livre grand format 5 juin 2014 le labyrinthe tome 03 le remède mortel 3 broché livre grand format 5 juin

le labyrinthe tome 3 le remède mortel 3 2023 - Jun 07 2022

web le labyrinthe tome 3 le remède mortel 3 corps du droit français ou recueil complet des lois décrets arrêtés ordonnances sénatus consultes instructions ministérielles

le labyrinthe tome 3 le remède mortel 3 book - Mar 16 2023

web le labyrinthe tome 3 le remède mortel 3 defeat and division may 01 2021 defeat and division launches a definitive new account of france in the second world war in

le labyrinthe tome 3 le remède mortel 3 pdf - Mar 04 2022

le labyrinthe tome 3 le remède mortel 3 abebooks france - Feb 15 2023

web feb 14 2018 toutes les informations sur le labyrinthe 3 le remède mortel film réalisé par wes ball avec dylan o brien et kaya scodelario sorti en 2018 synopsis

livre d occasion dashner james le labyrinthe tome 03 - Dec 13 2022

web utilisateur le labyrinthe le remède mortel tous publics 2018 sf action 2h 22m thomas et les blocards s engagent dans une ultime mission plus dangereuse que

downloadable free pdfs le labyrinthe tome 3 le remède mortel - Feb 03 2022

l épreuve tome 3 le remède mortel james - Jun 19 2023

web le labyrinthe tome 3 le remède mortel 3 preuves des libertez de l église gallicane feb 07 2023 somme théologique de s thomas d aquin may 30 2022 les oeuvres de

le labyrinthe 3 le remède mortel critique à enterrer - Jan 14 2023

web le labyrinthe 3 le remède mortel bande annonce vf 2018 découvrez la bande annonce du film le labyrinthe 3 le remède mortel réalisé par wes ball dans ce

pdf le labyrinthe tome 3 le remède mortel 3 - Apr 05 2022

web le labyrinthe 3 le remède mortel est le dernier volet de la saga le labyrinthe adapté des romans de james dashner il sort au cinéma le 7 février 2018

le labyrinthe 3 le remède mortel bande annonce photos - Dec 01 2021

le labyrinthe 3 le remède mortel on vous explique - Jul 20 2023

web le labyrinthe 3 le remède mortel je pense pouvoir dire que c st de loin mon tome préféré sur les 3 comme les précédent se tome est plein d aventures de

le labyrinthe tome 3 l épreuve tome 3 le remède mortel fnac - Aug 21 2023

web le labyrinthe tome 03 le remède mortel ebook written by james dashner read this book using google play books app on your pc android ios devices download for

le labyrinthe 3 le remède mortel bande annonce vf 2018 - Sep 10 2022

web le labyrinthe tome 3 le remède mortel 3 downloaded from files climagic org by guest moreno jordan le labyrinthe the wicked string 01 lulu com troisième volet de

le labyrinthe tome 03 le remède mortel 3 - Sep 22 2023

web oct 9 2015 le labyrinthe le labyrinthe tome 3 l épreuve tome 3 le remède mortel james dashner guillaume fournier pocket jeunesse des milliers de livres

le labyrinthe tome 3 le remède mortel 3 pdf uniport edu - Jul 08 2022

web labyrinthe tome 3 le remède mortel 3 but end up in infectious downloads rather than enjoying a good book with a cup of coffee in the afternoon instead they juggled with

le labyrinthe tome 03 le remède mortel google play - May 18 2023

web le labyrinthe tome 3 le remède mortel 3 de dashner james sur abebooks fr isbn 10 2266200143 isbn 13 9782266200141 pocket jeunesse 2014 couverture souple

le labyrinthe tome 3 le remède mortel 3 full pdf - Nov 12 2022

web jun 19 2023 le labyrinthe tome 3 le remède mortel 3 3 13 downloaded from uniport edu ng on june 19 2023 by guest university of california press s mission to seek

le labyrinthe tome 03 le remède mortel james dashner - Apr 17 2023

web découvrez livre d occasion dashner james le labyrinthe tome 03 le remède mortel 3 livre d occasion au meilleur prix sur

le site veepee les plus grandes

[le labyrinthe 3 le remède mortel écranlarge](#) - Oct 11 2022

web oct 21 2023 assault of noise and distractions however located within the musical pages of le labyrinthe tome 3 le rema de mortel 3 a fascinating perform of fictional beauty

le labyrinthe tome 3 le rema de mortel 3 2022 files climagic - May 06 2022

web cette première partie du tome 3 revient sur le moindre détail de la création de kingdom hearts iii son équipe les décisions qui l ont façonné et même l histoire de pixar qui est

[le labyrinthe le remede mortel 2018 tokyvideo](#) - Aug 09 2022

web le labyrinthe tome 3 le rema de mortel 3 geotechnics for developing africa oct 08 2022 the proceedings represent a valuable reference on geotechnical problems peculiar

[o manifesto comunista 150 anos depois amazon com br](#) - Aug 31 2023

web veja mais avaliações compre online o manifesto comunista 150 anos depois de marx karl na amazon frete grátis em milhares de produtos com o amazon prime encontre diversos livros escritos por marx karl com ótimos preços

o manifesto comunista 150 anos depois pdf scribd - Mar 26 2023

web em recente ensaio publicado em foreign policy nancy birdsall norte americana e vice presidente do bid começa por dizer exatamente 150 anos após a publicação do manifesto comunista a de sigualdade ocupa espaço amplo na agenda global

o manifesto comunista 150 anos depois em portuguese do - Aug 19 2022

web o manifesto comunista 150 anos depois em portuguese do brasil paperback amazon com tr kitap

[karl marx moodle usp e disciplinas](#) - Jan 24 2023

web a acusação de comunista tanto a outros opositores este texto é uma reprodução de o manifesto comunista 150 anos depois publicado pela contraponto editora e editora fundação per seu abramo 1998 tradução victor hugo klagsbrunn professor titular do departamento de economia da universidade federal flu minense

150 anos do manifesto do partido comunista 150 anos de - Jul 30 2023

web dossiÊ 150 anos do manifesto comunista 79 4 foi assim que surgiu o campo socialista que se desenvolveu em condições de dupla barbárie para empregar a linguagem do manifesto a saber o pesado atraso do oriente e sobretudo o horror dos dois conflitos mundiais e da guerra total É claro que marx e engels não

pdf 150 anos depois manifesto comunista dokumen tips - Apr 14 2022

web 150 anos depois da publicao do manifesto comunista opinio de alguns autores o manifesto invisvel h 150 anos em fevereiro de 1848 marx e engels publicavam a obra que revolucionou a histria poltica moderna

o manifesto comunista 150 anos depois pdf - Jul 18 2022

web o livro que permaneceu inédito no brasil por mais de 150 anos toma o navio de guerra como microcosmo e retrata o percurso de 14 meses do maior navio da marinha americana da época do havaí até boston contornando as

o manifesto comunista 150 anos depois dokumen pub - Feb 10 2022

web pode se sintetizar a fórmula sugerida pelo manifesto para fazer avançar a revolução proletária em três consignas básicas somente a negação da propriedade privada é capaz de aglutinar as forças sociais comprometidas com o fim da exploração capitalista somente a teoria revolucionária é capaz de catalisar o descontentamento

150 anos do manifesto comunista pdf karl marx o scribd - Jun 16 2022

web dos trs historiadores s hobsbawm vivo 2 hannah arendt as origens do totalitarismo rio de janeiro editora documento 1979 p 230 84 150 anos do manifesto comunista o papel e a importância da história no poder expressar melhor a atmosfera intelectual reinante na europa naquele momento

marx karl engels friedrich manifesto comunista 150 anos depois - Jan 12 2022

web veja grátis o arquivo marx karl engels friedrich manifesto comunista 150 anos depois enviado para a disciplina de sociologia categoria outro 12 102750977

nts moodle usp e disciplinas - Oct 21 2022

web 150 anos do manifesto comunista osvaldo coggiola o manifesto do partido comunista foi publicado pela primeira vez no final de fevereiro ou início de março de 1848 em londres segundo bert andreas é provável que o próprio marx tenha levado os originais de depois para prússia e em seguida para Áustria e hungria na

comunicações sobre os 150 anos do manifesto comunista - Apr 26 2023

web o manifesto comunista 150 anos depois manifesto comunista marcou profundamente o mundo contemporâneo seu impacto sua ressonância universal suas implicações políticas e culturais fazem dele um texto fundador constitutivo por sua audácia intelectual e sua ambição emancipadora de um movimento histórico de longo alcance

manifesto comunista 150 anos teoria e debate - May 28 2023

web manifesto comunista 150 anos edição 36 14 10 1997 compartilhe publicado no início do ano de 1848 por marx e engels o manifesto do partido comunista é um dos livros mais editados e conhecidos em todo o mundo e sem dúvida o que mais influenciou a história recente da humanidade

dossiê 150 anos do manifesto comunista pucsp br - Dec 23 2022

web resumo este artigo situa historicamente o manifesto do partido comunista de marx e engels apresentando as condições em que surgiu e o que significou no momento em que foi redigido e publicado o artigo também discute a relevância do manifesto frente às mudanças do capitalismo contemporâneo

manifesto comunista 150 anos depois university of são paulo - Jun 28 2023

web total 17 artigos do assunto manifesto comunista 150 anos depois manifesto do partido comunista 12 34 7 46 1998 marx karl e friedrich engels chegada do manifesto 12 34 47 8 1998 konder leandro a prova da história 12 34 51 3 1998 gorender jacob

rep usp detalhe do registro 150 anos do manifesto comunista - Mar 14 2022

web 150 anos do manifesto comunista 2007 autor coggiola osvaldo autor usp coggiola osvaldo luis angel fflch unidade fflch subjects comunismo história socialismo language português

dossiê 150 anos do manifesto comunista academia edu - Sep 19 2022

web dossiê 150 anos do manifesto comunista márcio s b s de oliveira É lugar comum dizer que se as idéias não movem o mundo o mundo não se move sem idéias e a europa nunca foi tão povoada de idéias visando mover o mundo como na década de 1840 não são poucos os historiadores das mais diferentes concepções que chamaram a atenção

livro o manifesto comunista 150 anos depois estante virtual - Nov 21 2022

web compre o manifesto comunista 150 anos depois de daniel aarão reis filho org no maior acervo de livros do brasil as mais variadas edições novas semi novas e usadas pelo melhor preço

sebo do messias livro o manifesto comunista 150 anos depois - May 16 2022

web livro usado política o manifesto comunista 150 anos depois em fins de fevereiro de 1848 veio à luz em londres o manifesto comunista documento político escrito em alemão por dois jovens pensadores então praticamente desconhecidos karl marx com 30 anos de idade e friedrich engels com 28

manifesto comunista wikipédia a enciclopédia livre - Feb 22 2023

web o manifesto comunista das kommunistische manifest originalmente denominado manifesto do partido comunista em alemão manifest der kommunistischen partei publicado pela primeira vez em 21 de fevereiro de 1848 é historicamente um dos tratados políticos de maior influência mundial

family of girl who had spinal surgery at temple street launch - Jul 25 2021

7 hours ago an irish broadcaster accused of engaging in sexual acts with a 16 year old girl over a decade ago has been acquitted following a trial at the dublin circuit criminal court the man

the evolution of a girl apple books - Sep 07 2022

the evolution of a girl is a collection of poetry and prose taking the reader from girl to woman from heartbreak and anger to transformation and rebirth it speaks of the strength we find

young adult literature review the evolution of a girl - Aug 06 2022

book description the evolution of a girl is a collection of poetry and prose taking the reader from girl to woman from heartbreak and anger to transformation and rebirth it speaks of the

the evolution of a girl le bowman google books - Jun 16 2023

mar 29 2019 the evolution of a girl le bowman black castle media group inc mar 29 2019 poetry 284 pages the evolution of a girl is a collection of poetry and prose taking

the evolution of a girl amazon com - Aug 18 2023

mar 31 2019 the evolution of a girl is a collection of poetry and prose taking the reader from girl to woman from heartbreak and anger to transformation and rebirth it speaks of the

kim kardashian s impressive style evolution hello - Oct 28 2021

oct 16 2023 delaware man charged in kidnapping of 11 year old new jersey girl after online gaming a chief prosecutor says 27 year old darius matylewich met the girl playing online

girl group stand uniqu3 to represent uk at junior eurovision - Nov 16 2020

apr 2 2019 select the department you want to search in

watch ride operator dangle 30 feet in air to save girl in texas - Apr 21 2021

oct 19 2023 following an extensive audition process hayla maisie and yazmin have been chosen to form a new girl group stand uniqu3 the three were brought together after

the evolution of a girl paperback 10 november 2018 - May 03 2022

nov 10 2018 the evolution of a girl nov 10 2018 evolution of a girl the paperback 0692144048 9780692144046 aaaa not in library libraries near you worldcat add another

the evolution of a girl ebook by le bowman rakuten kobo - Jul 05 2022

the evolution of a girl bowman le worden marie amazon com au books skip to main content com au delivering to sydney 1171 to change sign in or enter a postcode books

broadcaster accused of engaging in sexual acts with girl 16 - May 23 2021

oct 16 2023 the 10 year old girl who was fatally struck by a bullet on mother s day as she rode in the back seat of a car with her family got caught in a drive by shooting between two feuding

the evolution of a girl amazon co uk - Jul 17 2023

the evolution of a girl is a collection of poetry and prose taking the reader from girl to woman from heartbreak and anger to transformation and rebirth it speaks of the strength we find

why read the evolution of a girl shepherd - Jun 04 2022

mar 31 2019 the evolution of a girl is a collection of poetry and prose taking the reader from girl to woman from heartbreak and anger to transformation and rebirth it speaks of the

how and why did homosexual behaviour evolve in humans - Nov 28 2021

20 hours ago evolve charity a non profit organization is the csr arm of pacegate limited one of the leading manufacturers of un certified steel drums and distributors of adipro lubricant

9781733854603 *the evolution of a girl* abebooks - Oct 08 2022

mar 13 2022 the first section of the book reflects on what it is like to be a girl and shares both personal and widespread experiences that often intersect she explains living as a young

polaris bank supports girl child education in public schools - Sep 26 2021

1 hour ago the girl is one of 19 children who were the subject of a report on patients with spina bifida who underwent spinal surgery at temple street the court heard the family of the child

the evolution of a girl by l e bowman marie worden - Dec 10 2022

the evolution of a girl is a collection of poetry and prose taking the reader from girl to woman from heartbreak and anger to transformation and rebirth it speaks of the strength we find

the evolution of a girl amazon ca - Jan 11 2023

968 total ratings 127 with reviews from the united states katie better than rupi reviewed in the united states on february 10 2021 verified purchase really love bowman s writing style she

the evolution of a girl kindle edition amazon in - Oct 16 2020

gregarious dolphin stops to talk to adorable toddler at aquarium - Dec 18 2020

the evolution of a girl is a collection of poetry and prose taking the reader from girl to woman from heartbreak and anger to transformation and rebirth it speaks of the strength we find

the evolution of a girl paperback barnes noble - Mar 13 2023

mar 31 2019 the evolution of a girl is a collection of poetry and prose taking the reader from girl to woman from heartbreak and anger to transformation and rebirth it speaks of the

the evolution of a girl kindle edition amazon co uk - Sep 14 2020

the evolution of a girl paperback 10 nov 2018 - Apr 14 2023

the evolution of a girl is a collection of poetry and prose taking the reader from girl to woman from heartbreak and anger to transformation and rebirth it speaks of the strength we find

the evolution of a girl by l e bowman open library - Mar 01 2022

apr 6 2007 the evolution of a girl s ideal a little record of the ripening of the affections to the time of love s coming by laughlin clara e clara elizabeth 1873 1941 publication date 1902

amazon com customer reviews the evolution of a girl - Nov 09 2022

the evolution of a girl is a collection of poetry and prose taking the reader from girl to woman from heartbreak and anger to transformation and rebirth it speaks of the strength we find

[the evolution of a girl amazon com](#) - May 15 2023

mar 31 2019 the evolution of a girl is a collection of poetry and prose taking the reader from girl to woman from heartbreak and anger to transformation and rebirth it speaks of the

girl group stand uniqu3 to represent the uk at the junior - Feb 17 2021

4 hours ago 0 45 animal encounters can be magical and at an aquarium in gulfport mississippi an adorable toddler had the experience of a lifetime when a baby dolphin stopped

the evolution of a girl by l e bowman goodreads - Sep 19 2023

nov 10 2018 4 26 809 ratings 75 reviews the evolution of a girl is a collection of poetry and prose taking the reader from girl to woman from heartbreak and anger to transformation and rebirth

amber alert canceled after 1 year old girl taken from cleveland - Jan 19 2021

oct 19 2023 a girl group called stand uniqu3 has been chosen to represent the uk at the junior eurovision song contest 2023 in nice france following an extensive audition

[girl killed in mother s day shooting due to feuding neighborhood](#) - Mar 21 2021

17 hours ago a 34 year old man accused of taking the girl from her mother and threatening to harm the child is in custody after both were found in swanton in northwest ohio police

[the evolution of a girl on apple books](#) - Apr 02 2022

oct 16 2023 these evolutionary conflicts of interest which can exist between male and female over reproduction between siblings and even between mother and child have been

fgm british girl 3 mutilated on kenya trip old bailey hears - Jun 23 2021

1 day ago watch festival ride goes haywire in texas as operator dangles 30 feet in air to save girl the ride operator was helping a 12 year old girl get into one of the cars on the bullet

the evolution of a girl s ideal a little record of the ripening of the - Dec 30 2021

5 hours ago kim kardashian s impressive style evolution from y2k it girl to global tastemaker the skims founder has undergone quite the wardrobe transformation over the

delaware man charged in jersey girl s kidnapping after roblox chats - Aug 26 2021

2 days ago a woman has appeared at the old bailey accused of handing over a three year old british girl for female genital mutilation fgm in kenya amina noor 39 is charged with

the evolution of a girl l bowman google books - Feb 12 2023

published 31 03 2019 we can order this from the publisher uk delivery within 4 5 weeks quantity add to basket synopsis
publisher black castle media group inc isbn 9781733854603

evolutionary geneticist deena emera on the history of the - Jan 31 2022

oct 12 2023 same sex sexual behaviour evolved many times and quite recently it has been proposed that the common
ancestor of mammals indulged in indiscriminate sexual behaviour