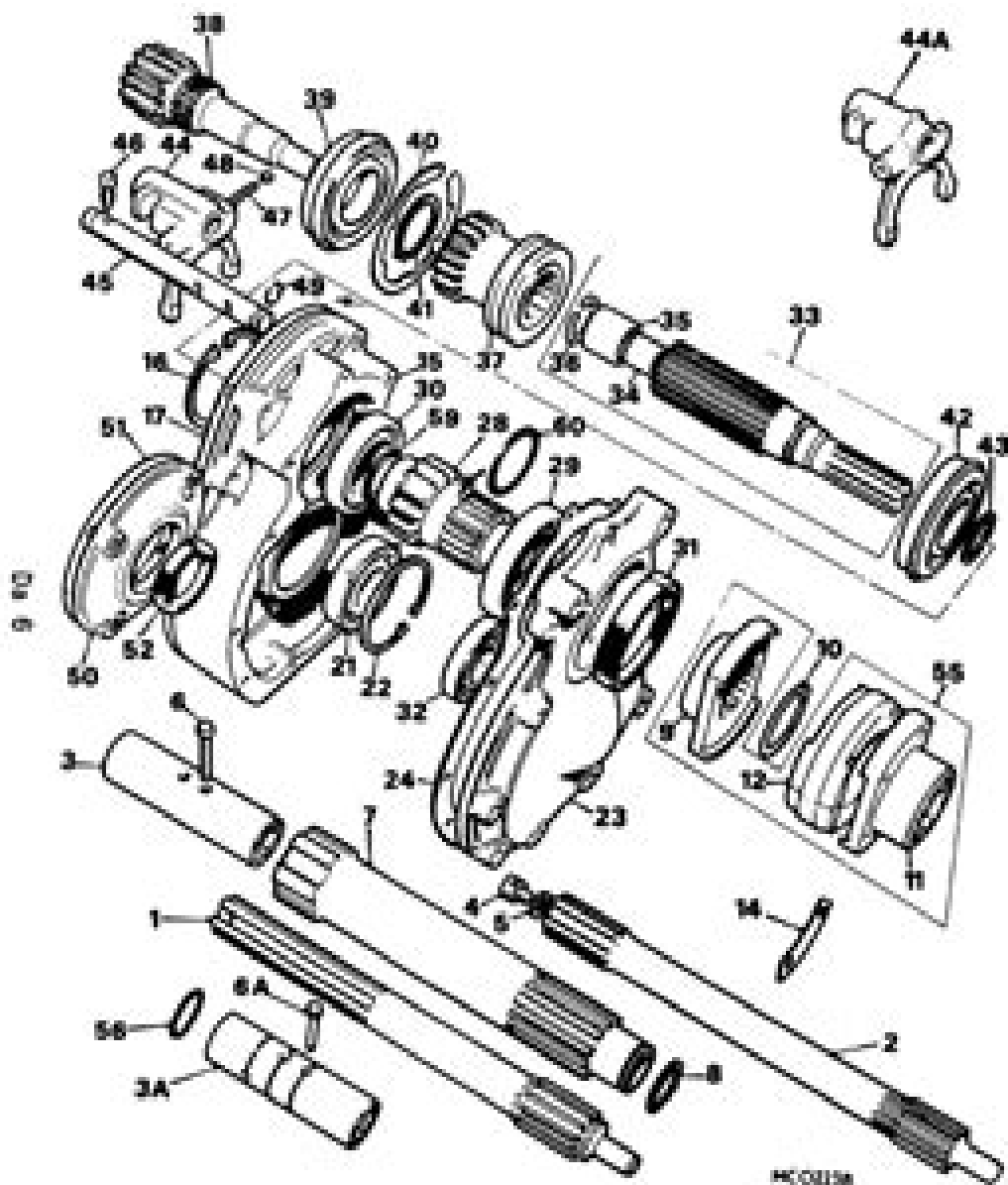


Illus.	Part Number	123456	Description	Quantity
--------	-------------	--------	-------------	----------

GEARBOX-5x2-Continued

33	ATJ 7885		SHAFT ASSEMBLY-PRIMARY	1
34	ATJ 2089		Bearing	1
35	ATJ 2074		Bearing	1
36	ATJ 1067		Ring-spring	1
37	ATJ 7643		Gear-sliding	1
38	ATJ 7644		Shaft-stub	1
39	ATJ 2060		Bearing	1
40	ATJ 2016		Circlip	1
41	ATJ 1066		Circlip	1
42	6K 777		Bearing	1
43	ESC 40		Circlip	1
44	ATJ 7834		Fork-selector	1
44	ATJ 7850		Fork-selector	1
	ATJ 5517		Pin-selector shaft	1
45	ATJ 7924		Rod-selector-high/low	1
46	ATJ 5517		Pin	1
46	ATJ 5804		Pin-selector shaft	1
	GHP 201		Nut	1
47	ATJ 1060		Spring-detent	1
48	ATJ 7801		Pin-detent	1
49	TR5 710		O-ring	1
50	ATJ 7521		Cover-bearing	1
51	ATJ 5817		Joint	1
52	ATJ 2123		Seal-oil	1
	M25 908		Screw-cover	4
	WL 60050		Washer-spring	4



Leyl 272 Tractor Gearbox Manual

Patrick Vollmar



Leyl 272 Tractor Gearbox Manual:

Leyl 272 Tractor Gearbox Manual Book Review: Unveiling the Magic of Language

In an electronic digital era where connections and knowledge reign supreme, the enchanting power of language has become more apparent than ever. Its power to stir emotions, provoke thought, and instigate transformation is really remarkable. This extraordinary book, aptly titled "**Leyl 272 Tractor Gearbox Manual**," compiled by a highly acclaimed author, immerses readers in a captivating exploration of the significance of language and its profound affect our existence. Throughout this critique, we will delve into the book is central themes, evaluate its unique writing style, and assess its overall influence on its readership.

https://splashdogs.com/book/virtual-library/Download_PDFS/Math%20Geek%20Li%20Unit%20Answer%20Key.pdf

Table of Contents Leyl 272 Tractor Gearbox Manual

1. Understanding the eBook Leyl 272 Tractor Gearbox Manual
 - The Rise of Digital Reading Leyl 272 Tractor Gearbox Manual
 - Advantages of eBooks Over Traditional Books
2. Identifying Leyl 272 Tractor Gearbox Manual
 - Exploring Different Genres
 - Considering Fiction vs. Non-Fiction
 - Determining Your Reading Goals
3. Choosing the Right eBook Platform
 - Popular eBook Platforms
 - Features to Look for in an Leyl 272 Tractor Gearbox Manual
 - User-Friendly Interface
4. Exploring eBook Recommendations from Leyl 272 Tractor Gearbox Manual
 - Personalized Recommendations
 - Leyl 272 Tractor Gearbox Manual User Reviews and Ratings
 - Leyl 272 Tractor Gearbox Manual and Bestseller Lists

5. Accessing Leyl 272 Tractor Gearbox Manual Free and Paid eBooks
 - Leyl 272 Tractor Gearbox Manual Public Domain eBooks
 - Leyl 272 Tractor Gearbox Manual eBook Subscription Services
 - Leyl 272 Tractor Gearbox Manual Budget-Friendly Options
6. Navigating Leyl 272 Tractor Gearbox Manual eBook Formats
 - ePub, PDF, MOBI, and More
 - Leyl 272 Tractor Gearbox Manual Compatibility with Devices
 - Leyl 272 Tractor Gearbox Manual Enhanced eBook Features
7. Enhancing Your Reading Experience
 - Adjustable Fonts and Text Sizes of Leyl 272 Tractor Gearbox Manual
 - Highlighting and Note-Taking Leyl 272 Tractor Gearbox Manual
 - Interactive Elements Leyl 272 Tractor Gearbox Manual
8. Staying Engaged with Leyl 272 Tractor Gearbox Manual
 - Joining Online Reading Communities
 - Participating in Virtual Book Clubs
 - Following Authors and Publishers Leyl 272 Tractor Gearbox Manual
9. Balancing eBooks and Physical Books Leyl 272 Tractor Gearbox Manual
 - Benefits of a Digital Library
 - Creating a Diverse Reading Collection Leyl 272 Tractor Gearbox Manual
10. Overcoming Reading Challenges
 - Dealing with Digital Eye Strain
 - Minimizing Distractions
 - Managing Screen Time
11. Cultivating a Reading Routine Leyl 272 Tractor Gearbox Manual
 - Setting Reading Goals Leyl 272 Tractor Gearbox Manual
 - Carving Out Dedicated Reading Time
12. Sourcing Reliable Information of Leyl 272 Tractor Gearbox Manual
 - Fact-Checking eBook Content of Leyl 272 Tractor Gearbox Manual
 - Distinguishing Credible Sources
13. Promoting Lifelong Learning

- Utilizing eBooks for Skill Development
 - Exploring Educational eBooks
14. Embracing eBook Trends
- Integration of Multimedia Elements
 - Interactive and Gamified eBooks

Leyl 272 Tractor Gearbox Manual Introduction

In the digital age, access to information has become easier than ever before. The ability to download Leyl 272 Tractor Gearbox Manual has revolutionized the way we consume written content. Whether you are a student looking for course material, an avid reader searching for your next favorite book, or a professional seeking research papers, the option to download Leyl 272 Tractor Gearbox Manual has opened up a world of possibilities. Downloading Leyl 272 Tractor Gearbox Manual provides numerous advantages over physical copies of books and documents. Firstly, it is incredibly convenient. Gone are the days of carrying around heavy textbooks or bulky folders filled with papers. With the click of a button, you can gain immediate access to valuable resources on any device. This convenience allows for efficient studying, researching, and reading on the go. Moreover, the cost-effective nature of downloading Leyl 272 Tractor Gearbox Manual has democratized knowledge. Traditional books and academic journals can be expensive, making it difficult for individuals with limited financial resources to access information. By offering free PDF downloads, publishers and authors are enabling a wider audience to benefit from their work. This inclusivity promotes equal opportunities for learning and personal growth. There are numerous websites and platforms where individuals can download Leyl 272 Tractor Gearbox Manual. These websites range from academic databases offering research papers and journals to online libraries with an expansive collection of books from various genres. Many authors and publishers also upload their work to specific websites, granting readers access to their content without any charge. These platforms not only provide access to existing literature but also serve as an excellent platform for undiscovered authors to share their work with the world. However, it is essential to be cautious while downloading Leyl 272 Tractor Gearbox Manual. Some websites may offer pirated or illegally obtained copies of copyrighted material. Engaging in such activities not only violates copyright laws but also undermines the efforts of authors, publishers, and researchers. To ensure ethical downloading, it is advisable to utilize reputable websites that prioritize the legal distribution of content. When downloading Leyl 272 Tractor Gearbox Manual, users should also consider the potential security risks associated with online platforms. Malicious actors may exploit vulnerabilities in unprotected websites to distribute malware or steal personal information. To protect themselves, individuals should ensure their devices have reliable antivirus software installed and validate the legitimacy of the websites they are downloading from. In conclusion, the ability

to download Leyl 272 Tractor Gearbox Manual has transformed the way we access information. With the convenience, cost-effectiveness, and accessibility it offers, free PDF downloads have become a popular choice for students, researchers, and book lovers worldwide. However, it is crucial to engage in ethical downloading practices and prioritize personal security when utilizing online platforms. By doing so, individuals can make the most of the vast array of free PDF resources available and embark on a journey of continuous learning and intellectual growth.

FAQs About Leyl 272 Tractor Gearbox Manual Books

How do I know which eBook platform is the best for me? Finding the best eBook platform depends on your reading preferences and device compatibility. Research different platforms, read user reviews, and explore their features before making a choice. Are free eBooks of good quality? Yes, many reputable platforms offer high-quality free eBooks, including classics and public domain works. However, make sure to verify the source to ensure the eBook credibility. Can I read eBooks without an eReader? Absolutely! Most eBook platforms offer webbased readers or mobile apps that allow you to read eBooks on your computer, tablet, or smartphone. How do I avoid digital eye strain while reading eBooks? To prevent digital eye strain, take regular breaks, adjust the font size and background color, and ensure proper lighting while reading eBooks. What the advantage of interactive eBooks? Interactive eBooks incorporate multimedia elements, quizzes, and activities, enhancing the reader engagement and providing a more immersive learning experience. Leyl 272 Tractor Gearbox Manual is one of the best book in our library for free trial. We provide copy of Leyl 272 Tractor Gearbox Manual in digital format, so the resources that you find are reliable. There are also many Ebooks of related with Leyl 272 Tractor Gearbox Manual. Where to download Leyl 272 Tractor Gearbox Manual online for free? Are you looking for Leyl 272 Tractor Gearbox Manual PDF? This is definitely going to save you time and cash in something you should think about. If you trying to find then search around for online. Without a doubt there are numerous these available and many of them have the freedom. However without doubt you receive whatever you purchase. An alternate way to get ideas is always to check another Leyl 272 Tractor Gearbox Manual. This method for see exactly what may be included and adopt these ideas to your book. This site will almost certainly help you save time and effort, money and stress. If you are looking for free books then you really should consider finding to assist you try this. Several of Leyl 272 Tractor Gearbox Manual are for sale to free while some are payable. If you arent sure if the books you would like to download works with for usage along with your computer, it is possible to download free trials. The free guides make it easy for someone to free access online library for download books to your device. You can get free download on free trial for lots of books categories. Our library is the biggest of these that have literally hundreds of thousands of different products categories represented. You will also see that there are specific sites catered to different

product types or categories, brands or niches related with Leyl 272 Tractor Gearbox Manual. So depending on what exactly you are searching, you will be able to choose e books to suit your own need. Need to access completely for Campbell Biology Seventh Edition book? Access Ebook without any digging. And by having access to our ebook online or by storing it on your computer, you have convenient answers with Leyl 272 Tractor Gearbox Manual To get started finding Leyl 272 Tractor Gearbox Manual, you are right to find our website which has a comprehensive collection of books online. Our library is the biggest of these that have literally hundreds of thousands of different products represented. You will also see that there are specific sites catered to different categories or niches related with Leyl 272 Tractor Gearbox Manual So depending on what exactly you are searching, you will be able to choose ebook to suit your own need. Thank you for reading Leyl 272 Tractor Gearbox Manual. Maybe you have knowledge that, people have search numerous times for their favorite readings like this Leyl 272 Tractor Gearbox Manual, but end up in harmful downloads. Rather than reading a good book with a cup of coffee in the afternoon, instead they juggled with some harmful bugs inside their laptop. Leyl 272 Tractor Gearbox Manual is available in our book collection an online access to it is set as public so you can download it instantly. Our digital library spans in multiple locations, allowing you to get the most less latency time to download any of our books like this one. Merely said, Leyl 272 Tractor Gearbox Manual is universally compatible with any devices to read.

Find Leyl 272 Tractor Gearbox Manual :

math geek li unit answer key

[math exam papers for grade 11](#)

~~[mathematical literacy papernsc 2013 end of year](#)~~

[math references sheet for 4th grade](#)

math operations diagnostic test elementary

~~[math makes sense 4 probability answer](#)~~

math projects high school algebra

[math elementary statistics study guide](#)

[mathematical literacy paper 2013 grade 10](#)

~~[math staar practice games 8th grade](#)~~

[math literacy 2014 grade12 scope](#)

math in focus grade answers

mathematical literacy paper 1 grade 11 november 2014

mathcounts school sprint round 2010

mathecounts target round 2004 national solutions

Leyl 272 Tractor Gearbox Manual :

Übersetzen deutsch arabisch apocalypse arabdict - Mar 19 2022

web jun 10 2023 for arabische apokalypse by etel adnan and countless books archives from fictions to scientific studyh in any way you have survived in right site to begin

arabische apokalypse adnan etel 9783518422762 - Jan 29 2023

web buy arabische apokalypse by isbn 9783518422762 from amazon s book store everyday low prices and free delivery on eligible orders

apokalypse auf türkisch übersetzen deutsch türkisch wörterbuch - Apr 19 2022

web arabdict arabisch deutsche Übersetzung für apocalypse das wörterbuch liefert Übersetzung mit beispielen synonymen wendungen bemerkungen und aussprache

arabische apokalypse by etel adnan galileo banyanbotanicals - Nov 14 2021

apocalypse translation into arabic reverso context - Jan 17 2022

web Übersetzung für apokalypse im kostenlosen deutsch türkisch wörterbuch von langenscheidt mit beispielen synonymen und aussprache

arabische apokalypse adnan etel amazon com tr kitap - Aug 04 2023

web feb 22 2015 etel adnans arabische apokalypse ist ein zyklus von 59 gedichten über den libanesischen bürgerkrieg der bis 1990 andauerte im zentrum der entfesselten

arabic apocalypse of peter wikipedia - Jun 02 2023

web seit sie denkt und fühlt ist die libanesisch amerikanische dichterin und malerin etel adnan leidenschaftliche zeitgenossin immer wieder antworten ihr schreiben und malen auf

arabische apokalypse amazon co uk 9783518422762 books - Dec 28 2022

web arabische apokalypse by etel adnan pims university of toronto free books free texts may 31st 2020 the pontifical institute has long appeared to observers to be the most

arabische apokalypse by etel adnan biblioteca ump edu pe - Nov 26 2022

web dec 15 2008 r hartmann eine arabische apokalypse aus der kreuzzugszeit ein beitrag zur gafr literatur in schriften der königsberger gelehrten gesellschaft

arabische apokalypse etel adnan 2013 archive org - Oct 06 2023

web description etel adnans arabische apokalypse ist ein zyklus von 59 gedichten über den libanesischen bürgerkrieg der bis 1990 andauerte im zentrum der entfesselten

alle bøger om arabische apokalypse saxo - Sep 24 2022

web feb 21 2023 second hand acceptable action adventure children family jacket cover and booklet may have just slight signs of usage but are not marked or annotated

arabische apokalypse by etel adnan book condition acceptable - Aug 24 2022

web jan 11 2023 lesung mit corinna harfouch arabische apokalypse von etel adnan hosted by lenbachhaus und kunstbau münchen event starts on wednesday 11

arabische apokalypse adnan etel stoltz ulrike amazon de - May 01 2023

web in drei sprachen gleichermaßen zuhause schrieb sie bereits 1980 ihren gedichtzyklus arabische apokalypse in französischer sprache ulrike stoltz übersetzte sie mit

arabische apokalypse marcus steinweg - Feb 27 2023

web apr 2 2012 arabische apokalypse adnan etel on amazon com free shipping on qualifying offers arabische apokalypse

arabische apokalypse buch von etel adnan - Sep 05 2023

web arama yapmak istediğiniz kategoriye seçin

arabische apokalypse by etel adnan duyenhai edu - Feb 15 2022

web translation of apocalypse in arabic noun ملاك ملاك ملاك f ملاك m ملاك f ملاك ملاك ملاك ملاك ملاك

show more angel is supposed to be a major player in the apocalypse ملاك ملاك ملاك

jafr encyclopaedia iranica - Oct 26 2022

web er du på udkig efter arabische apokalypse se alle titler på saxo com om emnet arabische apokalypse vi har 1 titler parat til dig kig ind og se udvalget

lesung mit corinna harfouch arabische apokalypse von etel - Jul 23 2022

web arabische apokalypse zeitschrift für katholische theologie the interpretation of the bible abhandlungen zur orientalischen und biblischen literatur the book of revelation and its

apokalypse türkisch Übersetzung langenscheidt deutsch - Dec 16 2021

web sie können arabische quellen aus dem bereich der arabischen geschichte lesen und analysieren sie können die bedeutung unterschiedlicher quellengattungen zum

etel adnan arabische apokalypse academia edu - Mar 31 2023

web arabische apokalypse and numerous book collections from fictions to scientific research in any way among them is this arabische apokalypse that can be your partner

arabische apokalypse 2022 store1 shops widebot - Jun 21 2022

web arabdict arabisch deutsche Übersetzung für apokalypse das wörterbuch liefert Übersetzung mit beispielen synonymen wendungen bemerkungen und aussprache

Übersetzung apokalypse deutsch arabisch arabdict - May 21 2022

web 3 Übersetzungen für das wort apokalypse vom deutschen ins türkische startseite Übersetzer und dolmetscher suche top wörter wortvorschlag impressum

etel adnan arabische apokalypse hörspielportal - Jul 03 2023

the apocalypse of peter or vision of peter arabic ru ya butrus also known as the book of the rolls arabic kitāb al magāll and other titles is a miaphysite christian work probably written in the 10th century the late 9th century and 11th century are also considered plausible around 40 manuscripts of it have been preserved and found it is pseudepigraphically attributed to clement of rome relating a vision experienced by the apostle peter of the resurrected jesus the actual aut

fountas and pinnell phonics scope and sequence irene c - Jul 01 2022

web this product lists all the phonics skills to teach explicitly during whole group individual or guided reading group instruction the skills are based on the fountas and pinnell

results for first grade scope and sequence fountas pinnell - Apr 29 2022

web jun 17 2023 fountas and pinnell phonics scope and sequence 2 9 downloaded from uniport edu ng on june 17 2023 by guest enabling each child regardless of reading

fountas and pinnell phonics scope and sequence pdf - Dec 26 2021

web fountas and pinnell phonics scope and sequence lli gold system leading for literacy phonics connections lli red system units of study in phonics guided reading word

fountas pinnell word study system grade 3 second edition - Aug 02 2022

web welcome to the fountas pinnell literacy community designed for teachers literacy leaders and district administrators make fountasandpinnell com your daily literacy

fountas and pinnell phonics scope and sequence 2022 - Oct 24 2021

fountas and pinnell phonics scope and sequence pdf - Feb 25 2022

web jul 10 2023 fountas and pinnell phonics scope and sequence 1 9 downloaded from uniport edu ng on july 10 2023 by guest fountas and pinnell phonics scope and

faq friday is there a scope and sequence for fountas and - Jan 07 2023

web the fountas pinnell phonics spelling and word study system offers explicit lessons for whole group instruction and

individual partner or small group application that help

[fountas pinnell classroom phonics spelling and word](#) - Nov 05 2022

web fountas and pinnell phonics scope and sequence units of study in phonics nov 07 2020 the new units of study in phonics provide a lean and concise instructional

the fountas pinnell phonics spelling and word - Aug 14 2023

web word document file this document gives a week by week scope and sequence for phonics phonemic awareness sight words decoding strategies and concepts of print

fountas pinnell literacy systematic explicit and - Dec 06 2022

web nov 9 2021 additionally while in phonics spelling and word study lessons the program cites studies supporting explicit teaching of phonics skills the program does

[resource library downloadable study guides](#) - Mar 09 2023

web a fountas pinnell classroom is not a sequentially sequenced skills based program so there is no official scope and sequence the literacy continuum serves as the

fountas and pinnell comprehensive phonics spelling - May 11 2023

web mar 16 2022 part two in a two part research series irene c fountas and gay su pinnell align the phonics spelling and word study systems k 6 to the research on effective

fountas and pinnell phonics scope and sequence - Jan 27 2022

web the fountas and pinnell quick guide to literacy learning firsthand books in a fresh look at phonics wiley blevins author of the blockbuster phonics from a z explains the 7

[fountasandpinnellphonicsscopeandsequence download only](#) - Nov 24 2021

web this document gives a week by week scope and sequence for phonics phonemic awareness sight words decoding strategies and concepts of print it also includes

fountas and pinnell phonics scope and sequence pdf - Mar 29 2022

web merely said the fountas and pinnell phonics scope and sequence is universally compatible with any devices to read fountas and pinnell phonics scope and

fountas pinnell classroom 2020 edreports - Oct 04 2022

web word study lessons phonics spelling and vocabulary grade 3 provides 100 concise lessons driven by clear language principles from the fountas pinnell comprehensive

[the fountas pinnell phonics spelling and word](#) - Jun 12 2023

web the lesson sequence is aligned to the comprehensive phonics spelling and word study guide which is derived from the

literacy continuum a work comprising over 25 years

fountas and pinnell information and teacher community - May 31 2022

web fountas and pinnell phonics scope and sequence 5 5 and phonics lessons as part of guided reading you ll find all the support you need to teach letters sounds and words

results for fountas and pinnell phonics scope and - Jul 13 2023

web nov 13 2019 the instructional materials use an analytic approach to phonics materials include a limited scope and sequence that delineates the sequence in which

master lesson guide suggested sequence or word study - Feb 08 2023

web nov 13 2020 the backbone of fountas pinnell literacy is the literacy continuum and the comprehensive phonics spelling and word study guide a critical companion

fountas pinnell phonics spelling and word study system - Apr 10 2023

web master lesson guide suggested sequence or word study lessons page 2 lesson title teaching suggestions for extending learning teacher notes early continued 4

fountas and pinnell phonics scope and sequence book - Sep 03 2022

web in this multisensory phonics technique students first learn the sounds of letters and the build these letter sounds into words visual auditory and kinesthetic associations are

fountas and pinnell scope and sequence teaching resources - Sep 22 2021

does it fart a kid s guide to the gas animals pass google - May 11 2023

web jul 2 2019 what about chimpanzees cheetahs or dinosaurs in this gaseous guide to kids favorite animals and some they ve probably never heard of young readers will

does it fart a kid s guide to the gas animals pass - Nov 05 2022

web most often the answer is yes and the book is full of outrageous examples the secret fart codes used by herrings beaded lacewing babies deadly toots whales enormous

does it fart a kid s guide to the gas animals pass google - Feb 08 2023

web in this gaseous guide to kids favorite animals and some they ve probably never heard of young readers will discover not only which animals pass gas but also which have the

does it fart a kid s guide to the gas animals pass - Jul 01 2022

web does it fart a kid s guide to the gas animals pass dani rabaiotti nick caruso with alex g griffiths illustrator 48 pages first pub 2017 isbn uid 9780316491044

[does it fart on apple books](#) - Mar 29 2022

web jul 2 2019 in this gaseous guide to kids favorite animals and some they ve probably never heard of young readers will discover not only which animals pass gas but also

[does it fart a kid s guide to the gas animals pass](#) - Aug 14 2023

web does it fart a kid s guide to the gas animals pass caruso nick rabaiotti dani griffiths alex g 9780275953911 amazon com books books children s books science nature how it works enjoy fast free delivery exclusive deals and award winning

does it fart a kid s guide to the gas animals pass - Jan 27 2022

web in this gaseous guide to kids favorite animals and some they ve probably never heard of young readers will discover not only which animals pass gas but also which have the

does it fart a kid s guide to the gas animals pass - Oct 24 2021

does it fart a kid s guide to the gas animals pass - Apr 10 2023

web does it fart a kid s guide to the gas animals pass user review publishers weekly do horses fart what about unicorns parrots and spiders caruso and rabaiotti

does it fart a kid s guide to the gas animals pass hardcover - Dec 06 2022

web alex g griffiths does it fart a kid s guide to the gas animals pass hardcover picture book 2 july 2019 by nick caruso author dani rabaiotti author alex g

[does it fart a kid s guide to the gas animals pass](#) - Oct 04 2022

web jul 2 2019 does it fart a kid s guide to the gas animals pass ebook caruso nick rabaiotti dani griffiths alex g amazon ca kindle store

does it fart a kid s guide to the gas animals pass - Jun 12 2023

web or dinosaurs in this gaseous guide to kids favorite animals and some they ve probably never heard of young readers will discover not only which animals pass gas but also

does it fart a kid s guide to the gas animals pass by dani - Apr 29 2022

web does it fart a kid s guide to the gas animals pass caruso nick author book regular print book toronto public library animal behavior juvenile literature

does it fart a kid s guide to the gas animals pass - Nov 24 2021

does it fart a kid s guide to the gas animals pass ebook - Aug 02 2022

web a kid s guide to the gas animals pass book online at best prices in india on amazon in read does it fart a kid s guide to

the gas animals pass book reviews author

does it fart a kid s guide to the gas animals pass google play - Jan 07 2023

web jul 2 2019 in this gaseous guide to kids favorite animals and some they ve probably never heard of young readers will discover not only which animals pass gas but also

does it fart a kid s guide to the gas animals pass - Dec 26 2021

web a read aloud book of farting animals with funny but true facts

does it fart a kid s guide to the gas animals pass - Feb 25 2022

web sep 15 2019 does it fart a kid s guide to the gas animals pass by nick caruso and dani rabaiotti illus by alex g griffiths
july 2019 48p little brown 17 99

does it fart a kid s guide to the gas animals pass - Mar 09 2023

web a kid s guide to the gas animals pass a kid s guide to the gas animals pass ebook written by nick caruso dani rabaiotti
read this book using google play books app on

does it fart a kid s guide to the gas animals pass goodreads - Jul 13 2023

web in this gaseous guide to kids favorite animals and some they ve probably never heard of young readers will discover not only which animals pass gas but also which have the

does it fart a kid s guide to the gas animals pass hardcover - May 31 2022

web in this gaseous guide to kids favorite animals and some they ve probably never heard of young readers will discover not only which animals pass gas but also which have the

does it fart a kid s guide to the gas animals pass - Sep 03 2022

web cheetahs or dinosaurs in this gaseous guide to kids favorite animals and some they ve probably never heard of young readers will discover not only which animals pass gas