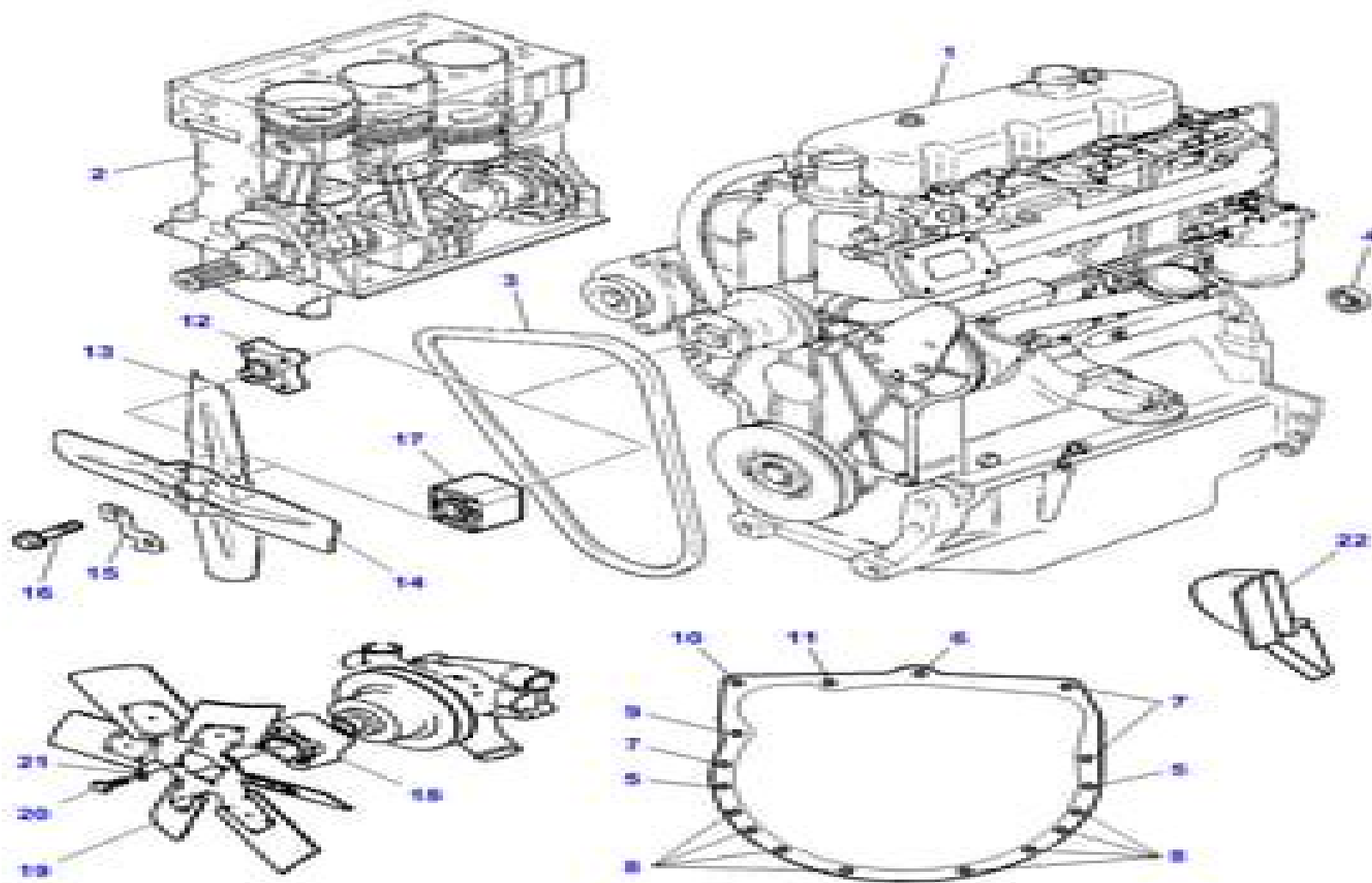


D-0115-004-B



Massey Ferguson Tractors Service Manual 231

Massey-Ferguson (Aust.) Ltd.)



Massey Ferguson Tractors Service Manual 231:

Operator's, Organizational, Direct Support and General Support Maintenance Manual Including Repair Parts List for Grinding Machine, Valve Face, Model K403C and K500C, (K.O. Lee Co.), (NSN 4910-00-540-4679). ,1989 **Operator, Organizational, Direct Support, and General Support Maintenance Manual Including Repair Parts List for Grinding Kit, Valve Seat (K O Lee Co, Inc) (4910-00-060-9983).** ,1989 *I & T Shop Service* ,1993 **Farmers and Consumers Market Bulletin** ,2011 Implement & Tractor Red Book ,1973 Progressive Farmer ,2001 **Public Works** ,1967 Moody's Industrial Manual ,1963 *Parts Book Massey-Ferguson (Aust.) Ltd.*,1974 **MF 65 Tractor Service Manual** Massey Ferguson Co,197? *Massey Ferguson 35 Tractor* Chris Jaworski,2020-03-17 Learn everything you need to know about the Ferguson MF 35 and TO35 Featuring step by step instructions for weekly checks operator maintenance engines cooling and fuel systems transmissions brakes hydraulics and so much more this user friendly restoration service manual goes back to the basics detailing a wide range of topics so you can understand your tractor machinery from the inside out Also included are more than 650 photographs helpful charts for service schedules torques data specs tool lists and troubleshooting and even a buying guide Author Chris Jaworski is a technical writer Tractor Machinery magazine and a restoration enthusiast For owners involved in servicing repairs or restoration of the Massey Ferguson MF 35 or TO35 this crystal clear guide will help you enjoy getting the work done quickly efficiently and correctly **Public Works Manual** ,1991 **MF 1505 and MF 1805 Tractors Service Manual** Massey Ferguson Co,1981 *The Federal Reporter* ,1986 **Power Farming in Australia and New Zealand Technical Manual** ,1982 **Massey Ferguson MF1505 and MF1805 Tractors** Massey Ferguson Co,1975 **MF 1100 and 1130 Tractors Service Manual** Massey Ferguson Co,1981 MF 148 Tractor ,197? Ferguson tractor service manual Massey-Harris-Ferguson,1955 *Union Agriculturist and Western Prairie Farmer* ,2000-03

The Enigmatic Realm of **Massey Ferguson Tractors Service Manual 231**: Unleashing the Language is Inner Magic

In a fast-paced digital era where connections and knowledge intertwine, the enigmatic realm of language reveals its inherent magic. Its capacity to stir emotions, ignite contemplation, and catalyze profound transformations is nothing lacking extraordinary. Within the captivating pages of **Massey Ferguson Tractors Service Manual 231** a literary masterpiece penned with a renowned author, readers attempt a transformative journey, unlocking the secrets and untapped potential embedded within each word. In this evaluation, we shall explore the book's core themes, assess its distinct writing style, and delve into its lasting affect the hearts and minds of those that partake in its reading experience.

https://splashdogs.com/book/detail/HomePages/Libro_Backpack_Second_Edition.pdf

Table of Contents Massey Ferguson Tractors Service Manual 231

1. Understanding the eBook Massey Ferguson Tractors Service Manual 231
 - The Rise of Digital Reading Massey Ferguson Tractors Service Manual 231
 - Advantages of eBooks Over Traditional Books
2. Identifying Massey Ferguson Tractors Service Manual 231
 - Exploring Different Genres
 - Considering Fiction vs. Non-Fiction
 - Determining Your Reading Goals
3. Choosing the Right eBook Platform
 - Popular eBook Platforms
 - Features to Look for in an Massey Ferguson Tractors Service Manual 231
 - User-Friendly Interface
4. Exploring eBook Recommendations from Massey Ferguson Tractors Service Manual 231
 - Personalized Recommendations
 - Massey Ferguson Tractors Service Manual 231 User Reviews and Ratings
 - Massey Ferguson Tractors Service Manual 231 and Bestseller Lists

5. Accessing Massey Ferguson Tractors Service Manual 231 Free and Paid eBooks
 - Massey Ferguson Tractors Service Manual 231 Public Domain eBooks
 - Massey Ferguson Tractors Service Manual 231 eBook Subscription Services
 - Massey Ferguson Tractors Service Manual 231 Budget-Friendly Options
6. Navigating Massey Ferguson Tractors Service Manual 231 eBook Formats
 - ePub, PDF, MOBI, and More
 - Massey Ferguson Tractors Service Manual 231 Compatibility with Devices
 - Massey Ferguson Tractors Service Manual 231 Enhanced eBook Features
7. Enhancing Your Reading Experience
 - Adjustable Fonts and Text Sizes of Massey Ferguson Tractors Service Manual 231
 - Highlighting and Note-Taking Massey Ferguson Tractors Service Manual 231
 - Interactive Elements Massey Ferguson Tractors Service Manual 231
8. Staying Engaged with Massey Ferguson Tractors Service Manual 231
 - Joining Online Reading Communities
 - Participating in Virtual Book Clubs
 - Following Authors and Publishers Massey Ferguson Tractors Service Manual 231
9. Balancing eBooks and Physical Books Massey Ferguson Tractors Service Manual 231
 - Benefits of a Digital Library
 - Creating a Diverse Reading Collection Massey Ferguson Tractors Service Manual 231
10. Overcoming Reading Challenges
 - Dealing with Digital Eye Strain
 - Minimizing Distractions
 - Managing Screen Time
11. Cultivating a Reading Routine Massey Ferguson Tractors Service Manual 231
 - Setting Reading Goals Massey Ferguson Tractors Service Manual 231
 - Carving Out Dedicated Reading Time
12. Sourcing Reliable Information of Massey Ferguson Tractors Service Manual 231
 - Fact-Checking eBook Content of Massey Ferguson Tractors Service Manual 231
 - Distinguishing Credible Sources
13. Promoting Lifelong Learning

- Utilizing eBooks for Skill Development
 - Exploring Educational eBooks
14. Embracing eBook Trends
- Integration of Multimedia Elements
 - Interactive and Gamified eBooks

Massey Ferguson Tractors Service Manual 231 Introduction

Free PDF Books and Manuals for Download: Unlocking Knowledge at Your Fingertips In today's fast-paced digital age, obtaining valuable knowledge has become easier than ever. Thanks to the internet, a vast array of books and manuals are now available for free download in PDF format. Whether you are a student, professional, or simply an avid reader, this treasure trove of downloadable resources offers a wealth of information, conveniently accessible anytime, anywhere. The advent of online libraries and platforms dedicated to sharing knowledge has revolutionized the way we consume information. No longer confined to physical libraries or bookstores, readers can now access an extensive collection of digital books and manuals with just a few clicks. These resources, available in PDF, Microsoft Word, and PowerPoint formats, cater to a wide range of interests, including literature, technology, science, history, and much more. One notable platform where you can explore and download free Massey Ferguson Tractors Service Manual 231 PDF books and manuals is the internet's largest free library. Hosted online, this catalog compiles a vast assortment of documents, making it a veritable goldmine of knowledge. With its easy-to-use website interface and customizable PDF generator, this platform offers a user-friendly experience, allowing individuals to effortlessly navigate and access the information they seek. The availability of free PDF books and manuals on this platform demonstrates its commitment to democratizing education and empowering individuals with the tools needed to succeed in their chosen fields. It allows anyone, regardless of their background or financial limitations, to expand their horizons and gain insights from experts in various disciplines. One of the most significant advantages of downloading PDF books and manuals lies in their portability. Unlike physical copies, digital books can be stored and carried on a single device, such as a tablet or smartphone, saving valuable space and weight. This convenience makes it possible for readers to have their entire library at their fingertips, whether they are commuting, traveling, or simply enjoying a lazy afternoon at home. Additionally, digital files are easily searchable, enabling readers to locate specific information within seconds. With a few keystrokes, users can search for keywords, topics, or phrases, making research and finding relevant information a breeze. This efficiency saves time and effort, streamlining the learning process and allowing individuals to focus on extracting the information they need. Furthermore, the availability of free PDF books and manuals fosters a culture of continuous learning. By removing financial barriers, more people can access educational resources and

pursue lifelong learning, contributing to personal growth and professional development. This democratization of knowledge promotes intellectual curiosity and empowers individuals to become lifelong learners, promoting progress and innovation in various fields. It is worth noting that while accessing free Massey Ferguson Tractors Service Manual 231 PDF books and manuals is convenient and cost-effective, it is vital to respect copyright laws and intellectual property rights. Platforms offering free downloads often operate within legal boundaries, ensuring that the materials they provide are either in the public domain or authorized for distribution. By adhering to copyright laws, users can enjoy the benefits of free access to knowledge while supporting the authors and publishers who make these resources available. In conclusion, the availability of Massey Ferguson Tractors Service Manual 231 free PDF books and manuals for download has revolutionized the way we access and consume knowledge. With just a few clicks, individuals can explore a vast collection of resources across different disciplines, all free of charge. This accessibility empowers individuals to become lifelong learners, contributing to personal growth, professional development, and the advancement of society as a whole. So why not unlock a world of knowledge today? Start exploring the vast sea of free PDF books and manuals waiting to be discovered right at your fingertips.

FAQs About Massey Ferguson Tractors Service Manual 231 Books

What is a Massey Ferguson Tractors Service Manual 231 PDF? A PDF (Portable Document Format) is a file format developed by Adobe that preserves the layout and formatting of a document, regardless of the software, hardware, or operating system used to view or print it. **How do I create a Massey Ferguson Tractors Service Manual 231 PDF?**

There are several ways to create a PDF: Use software like Adobe Acrobat, Microsoft Word, or Google Docs, which often have built-in PDF creation tools. Print to PDF: Many applications and operating systems have a "Print to PDF" option that allows you to save a document as a PDF file instead of printing it on paper. Online converters: There are various online tools that can convert different file types to PDF.

How do I edit a Massey Ferguson Tractors Service Manual 231 PDF? Editing a PDF can be done with software like Adobe Acrobat, which allows direct editing of text, images, and other elements within the PDF. Some free tools, like PDFescape or Smallpdf, also offer basic editing capabilities. **How do I convert a Massey**

Ferguson Tractors Service Manual 231 PDF to another file format? There are multiple ways to convert a PDF to another format: Use online converters like Smallpdf, Zamzar, or Adobe Acrobats export feature to convert PDFs to formats like Word, Excel, JPEG, etc. Software like Adobe Acrobat, Microsoft Word, or other PDF editors may have options to export or save PDFs in different formats. **How do I password-protect a Massey Ferguson Tractors Service Manual 231 PDF?**

Most PDF editing software allows you to add password protection. In Adobe Acrobat, for instance, you can go to "File" -> "Properties" -> "Security" to set a password to restrict access or editing capabilities. Are there any free alternatives to Adobe

Acrobat for working with PDFs? Yes, there are many free alternatives for working with PDFs, such as: LibreOffice: Offers PDF editing features. PDFsam: Allows splitting, merging, and editing PDFs. Foxit Reader: Provides basic PDF viewing and editing capabilities. How do I compress a PDF file? You can use online tools like Smallpdf, ILovePDF, or desktop software like Adobe Acrobat to compress PDF files without significant quality loss. Compression reduces the file size, making it easier to share and download. Can I fill out forms in a PDF file? Yes, most PDF viewers/editors like Adobe Acrobat, Preview (on Mac), or various online tools allow you to fill out forms in PDF files by selecting text fields and entering information. Are there any restrictions when working with PDFs? Some PDFs might have restrictions set by their creator, such as password protection, editing restrictions, or print restrictions. Breaking these restrictions might require specific software or tools, which may or may not be legal depending on the circumstances and local laws.

Find Massey Ferguson Tractors Service Manual 231 :

~~libro backpack second edition~~

~~lg washer manual wm2016cw~~

~~lifan motorcycle repair manual~~

~~life orientation exemplar paper 2014 grade12~~

~~lg voyager user guide~~

~~lia sofia cancels convention~~

~~lg washer accessories user manual~~

~~life oriantation grade 1scope~~

~~life a users manual review~~

~~libro students y workbook 2 resuelto~~

~~liebherr l507 wheel loader operation maintenance manual serial number 12800~~

~~lg voyager user39s manual~~

liberating judgment fanatics skeptics and john lockes politics of probability

~~libera me t3 bertocchini frdric~~

~~lg viewty smart manual~~

Massey Ferguson Tractors Service Manual 231 :

service manual video jet 43s documents and e books - Sep 06 2022

web service manual video jet 43s q6ng9qy6j14v

[videojet 4320 operator manual united states](#) - Nov 08 2022

web videojet 4320 printer the operator manual helps you to understand the different parts of the printer and easily perform the printing operations related publications the following manual is available for reference videojet 4320 service manual part number 361893 language codes when you order these manuals make sure to add the 2 digit language

installation videojet 43s ink jet manualzz - Mar 12 2023

web view online or download pdf 4 mb videojet 43s ink jet service manual 43s ink jet pdf manual download and more videojet online manuals installation categories

videojet 43s printer service manual pdf view download all - Jul 16 2023

web videojet manuals videojet 43s videojet 43s service manual videojet 43s service manual download service manual of videojet 43s printer for free or view it online on all guides com brand videojet category printer type service manual for videojet 43s pages 256 download videojet 43s service manual 1 2 3 4 5 6 7 8 9

videojet inkjet service manual - Feb 28 2022

web december 18th 2019 videojet 43s inkjet printer service manual iv rev ab note the manuals are intended to be supplements to and not replacements for videojet technologies inc customer training for more information on videojet technologies inc customer training courses call 1 800 843 361 0

operator product manuals service manual request videojet - Aug 17 2023

web videojet offers a library of operator manuals for our printing technologies please verify your identity and choose the language you would like the manual delivered in notice if you require a service manual please click on the button on the right request service manuals

videojet 43s jdl - Jul 04 2022

web parts service line speed capability can print 1 to 3 lines of print at speeds up to 800 ft min 4 m min 10 characters per inch single line of print print rate up to 1 600 characters second line font matrix configuration 5 x 5 5 x 7 6 x 9 11 x 16 and 17 x 24 fonts supported bar codes

service manual video jet 43s pdf scribd - Jun 15 2023

web videojet 43s inkjet printer service manual figure 6 4 wire routing under printhead manifold block 6 8 printhead rev ab videojet 43s inkjet printer service manual electronics system the printer electronics system comprises the following control panel connector panel

[videojet 43s printer service manual guidessimo com](#) - Jun 03 2022

web may 27 2023 43s user manual manual upd 20 jan 2023 videojet 43s pdf 6210 operator s manual upd 15 feb 2023

videojet 6210 pdf view text version of service manual

361868 videojet 1210 1510 operator manual united states - Apr 13 2023

web for more information on videojet technologies inc customer training courses call 1 800 843 3610 within the united states only outside the u s customer should contact a videojet subsidiary office or the local videojet distributor for further information

Виртуальный хостинг от компании Украинский хостинг - Apr 01 2022

web Виртуальный хостинг от компании Украинский хостинг

videojet 43s printer user manual manual pdf - Sep 18 2023

web view online user manual manual for videojet 43s printer or simply click download button to examine the videojet 43s guidelines offline on your desktop or laptop computer

videojet 43s ink jet manuals user guides - Dec 09 2022

web user manuals guides and specifications for your videojet 43s ink jet printer database contains 1 videojet 43s ink jet manuals available for free online viewing or downloading in pdf service manual videojet 43s ink jet service manual 70 pages pages 70 size videojet 43s ink jet related products videojet 8520 videojet ipro

pre pump filter located inside the filter compartment - Jan 10 2023

web videojet 43s inkjet printer service manual rev ac ink system 6 47 the filter has two filtration ratings which are selected dependant upon the type of ink used for the printing application pigmented inks utilize the lower filtration rating typically 20 microns due to the pigment used to color the ink having a relatively large particulate size

videojet 43s ink jet service manual manualzz - Oct 19 2023

web videojet 43s inkjet printer service manual jet start and stop diagnostics use the flow charts in this section to diagnose problems with dirty jet starts and stops quick start diagnostics figure 2 2 quick start diagnostics flowchart 2 14 jet start and stop diagnostics rev ac clean start diagnostics videojet 43s inkjet printer service

service manual domino ax550i pdf printer computing - May 02 2022

web videojet 43s inkjet printer service manual set eht trip level for printhead setup only ensure that the printhead is clean and dry before setting the eht range and trip level

videojet 43s printer user manual manual guidessimo com - Oct 07 2022

web oct 30 2023 □ download videojet 43s manual total pages 116 for free in pdf find more compatible user manuals for your videojet 43s printer device

videojet printer manuals and user guides pdf preview and - Aug 05 2022

web videojet 43s videojet printer 43s service manual 256 pages videojet printer 43s user manual manual 116 pages 13

videojet universal 37pc videojet printer universal 37pc service manual 356 pages 14 videojet excel 2000 series
[installation videojet 43s ink jet manualzz](#) - May 14 2023

web view online or download pdf 4 mb videojet 43s ink jet service manual 43s ink jet pdf manual download and more videojet
online manuals installation

43s ink jet printer service manual pdf electromagnetic - Feb 11 2023

web videojet 43s inkjet printer service manual voltage checks check the voltages on the power connector situated at the
bottom left hand corner of the i o board use pin 2 as the 0 v reference

la percusion popular de cuba sus instrumentos y sus - May 18 2023

web la percusion popular de cuba sus instrumentos y sus ritmos ritmos básicos cubanos ejercicios fotos lecciones y partituras
de gregorio marcos valcárcel isbn

la percusion popular de cuba sus instrumentos y sus - Nov 12 2022

web la percusion popular de cuba sus instrumentos y sus ritmos ritmos básicos cubanos ejercicios fotos lecciones y partituras
buy online at best price in ksa

la percusion popular de cuba sus instrumentos y s copy - Sep 10 2022

web el donante de organos y tejido s mar 11 2022 la percusion popular de cuba sus instrumentos y sus ritmos jun 26 2023 la
percusi n popular de cuba

la percusion popular de cuba sus instrumentos y sus - Oct 23 2023

web la percusion popular de cuba sus instrumentos y sus ritmos ritmos básicos cubanos ejercicios fotos lecciones y partituras
villar lalo r gregorio marcos valcárcel amazon sg books

[la percusion popular de cuba sus instrumentos y s pdf dotnbnm](#) - Aug 09 2022

web la percusion popular de cuba sus instrumentos y s 5 5 periodistas de la cultura leonardo padura radamés giro helio
orovio leonardo acosta etc apuntes para

la percusion popular de cuba sus instrumentos y sus ritmos - Aug 21 2023

web la percusion popular de cuba sus instrumentos y sus ritmos ritmos básicos cubanos ejercicios fotos lecciones y partituras
spanish edition by gregorio marcos

[la percusion popular de cuba sus instrumentos y s copy](#) - Mar 16 2023

web la percusion popular de cuba sus instrumentos y s españa en la savia de cuba jun 15 2020 esta edición revisada y
aumentada por el autor sistematiza aspectos

la percusion popular de cuba sus instrumentos y sus - Jan 14 2023

web sep 8 2016 la percusion popular de cuba sus instrumentos y sus ritmos ritmos básicos cubanos ejercicios fotos

lecciones y partituras 106

la percusion popular de cuba sus instrumentos y s - Apr 17 2023

web la percusion popular de cuba sus instrumentos y s nationalizing blackness may 29 2022 an examination of cuban society through the music of the 1920s 30s when it

la percusión afro cubana havana music - May 06 2022

web mar 5 2020 la fama de los percusionistas cubanos ha alcanzado un nivel internacional por la destreza con que manejan su instrumento y la capacidad de expresar en sus

la percusion popular de cuba sus instrumentos y s ramón - Mar 04 2022

web periodista poeta musico y escritor fue a cuba en busca de la musica del caribe islas tomo lecciones de un maestro cubano sus encuentros con musicos percusionistas y

free la percusion popular de cuba sus instrumentos y s - Sep 22 2023

web la percusion popular de cuba sus instrumentos y sus ritmos sep 25 2022 la percusi n popular de cuba sus instrumentos y sus ritmos ritmos b sicos partituras

redalyc instrumentos de música y religiosidad popular en cuba - Oct 11 2022

web cubana y brindar una visión general de sus especificidades organológicas su significado social y sus características musicales al abordar aspectos relacionados con los

la percusion popular de cuba sus instrumentos y sus - Jun 19 2023

web la percusion popular de cuba sus instrumentos y sus ritmos ritmos básicos cubanos ejercicios fotos lecciones y partituras gregorio marcos valcárcel villar

la percusion popular de cuba sus instrumentos y sus - Jul 20 2023

web la percusion popular de cuba sus instrumentos y sus ritmos book read reviews from world s largest community for readers la percusi n popular de cuba

la percusion popular de cuba sus instrumentos y s pdf 2023 - Jun 07 2022

web la percusion popular de cuba sus instrumentos y s pdf introduction la percusion popular de cuba sus instrumentos y s pdf 2023 diccionario de la

la percusion popular de cuba sus instrumentos y sus - Feb 15 2023

web la percusi n popular de cuba sus instrumentos y sus ritmos 100 p ginas ritmos b sicos partituras instrumentos ejercicios etc para la ense anza de los instrumentos

percuseando percusión y música en general para - Apr 05 2022

web jul 4 2009 we would like to show you a description here but the site won t allow us

la percusion popular de cuba sus instrumentos y s alejo - Feb 03 2022

web una parte de la historia musical de cuba a través de la obra de algunos de sus autores es un reto para el cual requerimos de su complicidad protagonistas de la música cubana

la percusión popular cubana sus ritmos y sus - Dec 13 2022

web los instrumentos cubanos y sus ritmos más conocidos a través de un sistema de notación cada vez más necesario sobre todo para alumnos de otras latitudes un capítulo del

categoría instrumentos musicales de cuba wikipedia la - Jul 08 2022

web wikimedia commons alberga una categoría multimedia sobre instrumentos musicales de cuba l páginas en la categoría instrumentos musicales de cuba herramientas

the road less travelled a new psychology of love traditional - Feb 09 2023

web the road less travelled a new psychology of love traditional values and spiritual growth classic edition ebook peck m scott amazon co uk kindle store

the road less traveled 25th anniversary edition a new psychology - May 12 2023

web the road less traveled 25th anniversary edition a new psychology of love traditional values and spiritual growth m scott peck simon and schuster 2002 psychology 315 pages

the road less traveled a new psychology of love traditional - Oct 05 2022

web the road less traveled a new psychology of love traditional values and spiritual growth peck m scott amazon com tr kitap

the road less traveled a new psychology of love traditional values - Apr 11 2023

web the road less traveled a new psychology of love traditional values and spiritual growth suggests that confronting and solving problems can help people reach a higher level of understanding both of themselves and of others whereas attempted evasion of problems leaves pain and an inability to grow mentally and spiritually

pdf epub the road less traveled a new psychology of love - Jul 14 2023

web jun 2 2020 the road less traveled a new psychology of love traditional values and spiritual growth 316 pp psychotherapy is all things to all people in this mega selling pop psychology watershed which features a new introduction by the author in this 25th anniversary edition

the road less traveled timeless edition a new psychology of love - Dec 07 2022

web books health fitness dieting psychology counseling kindle edition 13 99 available instantly audiobook 0 00 with membership trial hardcover 34 19 paperback 25 00 other used new collectible from 13 35 buy new 25 00 free delivery monday august 28 on your first order details or fastest delivery saturday august 26

the road less traveled a new psychology of love values - Jun 01 2022

web the road less traveled a new psychology of love values and spiritual growth 25th anniversary edition audible audiobook abridged m scott peck m d author narrator simon schuster audio publisher

the road less travelled a new psychology of love traditional - Apr 30 2022

web the road less travelled a new psychology of love traditional values and spiritual growth classic edition kindle edition by m scott peck author format kindle edition 4 6 7 554 ratings see all formats and editions kindle 16 99 read with our free app hardcover 42 64 3 used from 60 17 5 new from 42 64 great on kindle

the road less travelled a new psychology of love traditional - Nov 06 2022

web oct 31 2012 he discusses the nature of loving relationships how to distinguish dependency from love how to become one s own person and how to be a more sensitive parent this is a book that can show you

the road less traveled timeless edition a new psychology of love - Jun 13 2023

web feb 4 2003 the road less traveled timeless edition a new psychology of love traditional values and spiritual growth m scott peck m scott peck 8580001043159 amazon com books books health fitness dieting mental health enjoy fast free delivery exclusive deals and award winning movies tv shows with prime

the road less traveled a new psychology of love traditional - Jan 08 2023

web the road less traveled a new psychology of love traditional values and spiritual growth peck m scott morgan scott 1936 2005 free download borrow and streaming internet archive by peck m scott morgan scott 1936

the road less traveled a new psychology of love traditional - Aug 03 2022

web the road less traveled a new psychology of love traditional values and spiritual growth morgan scott peck touchstone 1998 psychology 315 pages 1590 reviews reviews aren t

the road less traveled timeless edition a new psychology of love - Dec 27 2021

web feb 4 2003 the road less traveled timeless edition a new psychology of love m scott peck google books books the road less traveled timeless edition a new psychology of love

editions of the road less traveled a new psychology of love - Feb 26 2022

web the road less travelled a new psychology of love traditional values and spiritual growth classic edition published october 31st 2012 by ebury digital classic ed kindle edition 385 pages more details

the road less traveled timeless edition a new psychology of love - Jul 02 2022

web the road less traveled timeless edition a new psychology of love traditional values and spiritual growth peck m scott amazon in books books health family personal development self help buy new 1 219 00 m r p 1 318 00 save 99 00 8 inclusive of all taxes 125 delivery 22 25 august details

the road less traveled a new psychology of love - Mar 30 2022

web the road less traveled a new psychology of love traditional values and spiritual growth deluxe trade paperback edition
amazon com books books medical books psychology hardcover 25 99 paperback 56 79 sheet music 24 99 other used new
collectible from 8 95 buy new 56 79 list price 69 99 details save 13 20

the road less traveled a new psychology of love traditional - Aug 15 2023

web mar 13 2012 the road less traveled a new psychology of love traditional values and spiritual growth m scott peck simon
and schuster mar 13 2012 self help 320 pages now featuring a new introduction by dr m scott peck the twenty fifth
anniversary edition of the classic bestseller the road less traveled celebrated by the

the road less traveled a new psychology of love traditional values - Mar 10 2023

web the road less traveled a new psychology of love traditional values and spiritual growth peck m scott morgan scott 1936
2005 free download borrow and streaming internet archive

loading interface goodreads - Jan 28 2022

web the road less traveled a new psychology of love traditional values and spiritual growth by m scott peck goodreads jump
to ratings and reviews want to read

the road less traveled timeless edition a new psychology of love - Sep 04 2022

web the road less traveled timeless edition a new psychology of love traditional values and spiritual growth peck m scott
amazon sg books books family lifestyle self help hardcover s 31 91 paperback s 22 36 mass market paperback other new and
used from s 19 43 buy new s 22 36 list price s 28 50 save