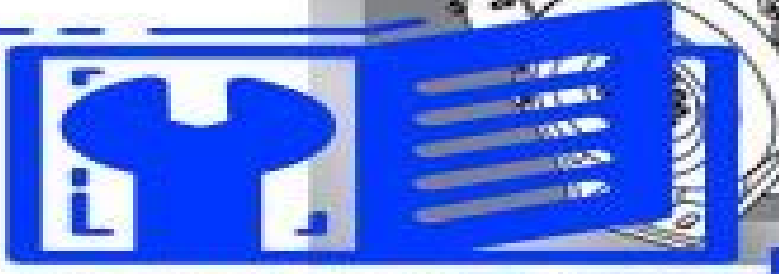
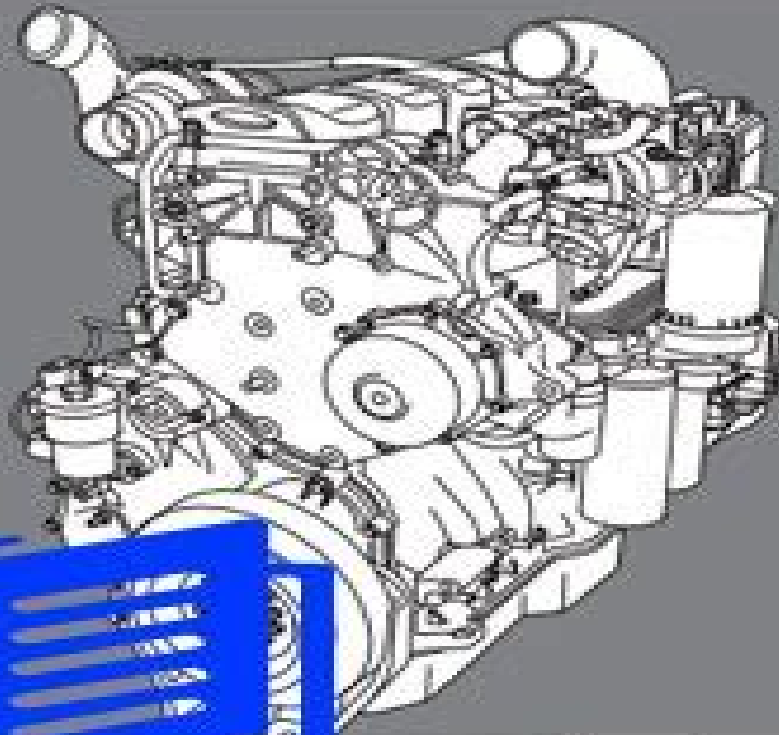




**MACK**



**Cheap Reliable Guaranteed**

# **Mack Aset AI, AMI Diesel Engine Service Repair Manual**

# Mack Ai 35engine Service Manual

**J Dewey**



## **Mack Ai 35engine Service Manual:**

## Decoding **Mack Ai 35engine Service Manual**: Revealing the Captivating Potential of Verbal Expression

In an era characterized by interconnectedness and an insatiable thirst for knowledge, the captivating potential of verbal expression has emerged as a formidable force. Its ability to evoke sentiments, stimulate introspection, and incite profound transformations is genuinely awe-inspiring. Within the pages of "**Mack Ai 35engine Service Manual**," a mesmerizing literary creation penned by way of a celebrated wordsmith, readers attempt an enlightening odyssey, unraveling the intricate significance of language and its enduring impact on our lives. In this appraisal, we shall explore the book's central themes, evaluate its distinctive writing style, and gauge its pervasive influence on the hearts and minds of its readership.

<https://splashdogs.com/files/virtual-library/HomePages/go%20ped%20manual.pdf>

### **Table of Contents Mack Ai 35engine Service Manual**

1. Understanding the eBook Mack Ai 35engine Service Manual
  - The Rise of Digital Reading Mack Ai 35engine Service Manual
  - Advantages of eBooks Over Traditional Books
2. Identifying Mack Ai 35engine Service Manual
  - Exploring Different Genres
  - Considering Fiction vs. Non-Fiction
  - Determining Your Reading Goals
3. Choosing the Right eBook Platform
  - Popular eBook Platforms
  - Features to Look for in an Mack Ai 35engine Service Manual
  - User-Friendly Interface
4. Exploring eBook Recommendations from Mack Ai 35engine Service Manual
  - Personalized Recommendations
  - Mack Ai 35engine Service Manual User Reviews and Ratings
  - Mack Ai 35engine Service Manual and Bestseller Lists

5. Accessing Mack Ai 35engine Service Manual Free and Paid eBooks
  - Mack Ai 35engine Service Manual Public Domain eBooks
  - Mack Ai 35engine Service Manual eBook Subscription Services
  - Mack Ai 35engine Service Manual Budget-Friendly Options
6. Navigating Mack Ai 35engine Service Manual eBook Formats
  - ePub, PDF, MOBI, and More
  - Mack Ai 35engine Service Manual Compatibility with Devices
  - Mack Ai 35engine Service Manual Enhanced eBook Features
7. Enhancing Your Reading Experience
  - Adjustable Fonts and Text Sizes of Mack Ai 35engine Service Manual
  - Highlighting and Note-Taking Mack Ai 35engine Service Manual
  - Interactive Elements Mack Ai 35engine Service Manual
8. Staying Engaged with Mack Ai 35engine Service Manual
  - Joining Online Reading Communities
  - Participating in Virtual Book Clubs
  - Following Authors and Publishers Mack Ai 35engine Service Manual
9. Balancing eBooks and Physical Books Mack Ai 35engine Service Manual
  - Benefits of a Digital Library
  - Creating a Diverse Reading Collection Mack Ai 35engine Service Manual
10. Overcoming Reading Challenges
  - Dealing with Digital Eye Strain
  - Minimizing Distractions
  - Managing Screen Time
11. Cultivating a Reading Routine Mack Ai 35engine Service Manual
  - Setting Reading Goals Mack Ai 35engine Service Manual
  - Carving Out Dedicated Reading Time
12. Sourcing Reliable Information of Mack Ai 35engine Service Manual
  - Fact-Checking eBook Content of Mack Ai 35engine Service Manual
  - Distinguishing Credible Sources
13. Promoting Lifelong Learning

- Utilizing eBooks for Skill Development
  - Exploring Educational eBooks
14. Embracing eBook Trends
- Integration of Multimedia Elements
  - Interactive and Gamified eBooks

## **Mack Ai 35engine Service Manual Introduction**

Mack Ai 35engine Service Manual Offers over 60,000 free eBooks, including many classics that are in the public domain. Open Library: Provides access to over 1 million free eBooks, including classic literature and contemporary works. Mack Ai 35engine Service Manual Offers a vast collection of books, some of which are available for free as PDF downloads, particularly older books in the public domain. Mack Ai 35engine Service Manual : This website hosts a vast collection of scientific articles, books, and textbooks. While it operates in a legal gray area due to copyright issues, its a popular resource for finding various publications. Internet Archive for Mack Ai 35engine Service Manual : Has an extensive collection of digital content, including books, articles, videos, and more. It has a massive library of free downloadable books. Free-eBooks Mack Ai 35engine Service Manual Offers a diverse range of free eBooks across various genres. Mack Ai 35engine Service Manual Focuses mainly on educational books, textbooks, and business books. It offers free PDF downloads for educational purposes. Mack Ai 35engine Service Manual Provides a large selection of free eBooks in different genres, which are available for download in various formats, including PDF. Finding specific Mack Ai 35engine Service Manual, especially related to Mack Ai 35engine Service Manual, might be challenging as theyre often artistic creations rather than practical blueprints. However, you can explore the following steps to search for or create your own Online Searches: Look for websites, forums, or blogs dedicated to Mack Ai 35engine Service Manual, Sometimes enthusiasts share their designs or concepts in PDF format. Books and Magazines Some Mack Ai 35engine Service Manual books or magazines might include. Look for these in online stores or libraries. Remember that while Mack Ai 35engine Service Manual, sharing copyrighted material without permission is not legal. Always ensure youre either creating your own or obtaining them from legitimate sources that allow sharing and downloading. Library Check if your local library offers eBook lending services. Many libraries have digital catalogs where you can borrow Mack Ai 35engine Service Manual eBooks for free, including popular titles. Online Retailers: Websites like Amazon, Google Books, or Apple Books often sell eBooks. Sometimes, authors or publishers offer promotions or free periods for certain books. Authors Website Occasionally, authors provide excerpts or short stories for free on their websites. While this might not be the Mack Ai 35engine Service Manual full book , it can give you a taste of the authors writing style. Subscription Services Platforms like Kindle Unlimited or Scribd offer subscription-based access to a wide range of Mack

Ai 35engine Service Manual eBooks, including some popular titles.

## **FAQs About Mack Ai 35engine Service Manual Books**

1. Where can I buy Mack Ai 35engine Service Manual books? Bookstores: Physical bookstores like Barnes & Noble, Waterstones, and independent local stores. Online Retailers: Amazon, Book Depository, and various online bookstores offer a wide range of books in physical and digital formats.
2. What are the different book formats available? Hardcover: Sturdy and durable, usually more expensive. Paperback: Cheaper, lighter, and more portable than hardcovers. E-books: Digital books available for e-readers like Kindle or software like Apple Books, Kindle, and Google Play Books.
3. How do I choose a Mack Ai 35engine Service Manual book to read? Genres: Consider the genre you enjoy (fiction, non-fiction, mystery, sci-fi, etc.). Recommendations: Ask friends, join book clubs, or explore online reviews and recommendations. Author: If you like a particular author, you might enjoy more of their work.
4. How do I take care of Mack Ai 35engine Service Manual books? Storage: Keep them away from direct sunlight and in a dry environment. Handling: Avoid folding pages, use bookmarks, and handle them with clean hands. Cleaning: Gently dust the covers and pages occasionally.
5. Can I borrow books without buying them? Public Libraries: Local libraries offer a wide range of books for borrowing. Book Swaps: Community book exchanges or online platforms where people exchange books.
6. How can I track my reading progress or manage my book collection? Book Tracking Apps: Goodreads, LibraryThing, and Book Catalogue are popular apps for tracking your reading progress and managing book collections. Spreadsheets: You can create your own spreadsheet to track books read, ratings, and other details.
7. What are Mack Ai 35engine Service Manual audiobooks, and where can I find them? Audiobooks: Audio recordings of books, perfect for listening while commuting or multitasking. Platforms: Audible, LibriVox, and Google Play Books offer a wide selection of audiobooks.
8. How do I support authors or the book industry? Buy Books: Purchase books from authors or independent bookstores. Reviews: Leave reviews on platforms like Goodreads or Amazon. Promotion: Share your favorite books on social media or recommend them to friends.
9. Are there book clubs or reading communities I can join? Local Clubs: Check for local book clubs in libraries or community centers. Online Communities: Platforms like Goodreads have virtual book clubs and discussion groups.

10. Can I read Mack Ai 35engine Service Manual books for free? Public Domain Books: Many classic books are available for free as they're in the public domain. Free E-books: Some websites offer free e-books legally, like Project Gutenberg or Open Library.

### **Find Mack Ai 35engine Service Manual :**

#### **go ped manual**

~~going paperless letter sample~~

*go math third grade lesson plans*

#### **golden guide ncert science class 6**

*go math 6th grade teachers edition*

*go vegan know the secret of vegetarian foods*

*golden guide for class 9 sanchayan*

*gm p30 chassis manual*

~~gmc 300xl installation manual~~

golden guide for class 6 social science

*go math grade 4 answer key*

gm 8 25 ifs front diff repair

gmc harley davidson edition

~~godchilds freaky erotica bundle multidicknip dick english edition~~

gnome way out

### **Mack Ai 35engine Service Manual :**

#### **allergic to girls school and other scary things goodreads** - Jul 14 2023

web jan 1 2008 alvin ho allergic to girls school and other scary things is a book written by lenore look this book centers around a second grade asian american boy named alvin given away by the title alvin is scared of well a lot of things elevators talking in school girls and the list goes on

#### **alvin ho allergic to girls school and other scary things brightly** - Mar 30 2022

web alvin ho is scared of everything he is especially scared of school too bad he can't tackle second grade as his superhero alter ego firecracker man kids will love rooting for alvin as he learns to conquer his many fears



*alvin ho allergic to girls school and other scary things* - Mar 10 2023

web jul 8 2008 alvin ho allergic to girls school and other scary things kindle edition by look lenore leuyen pham download it once and read it on your kindle device pc phones or tablets use features like bookmarks note taking and highlighting while reading alvin ho allergic to girls school and other scary things

**alvin ho allergic to girls school and other scary things** - Apr 30 2022

web frightened by everything out in the world and so completely quiet at school asian american second grader alvin ho becomes a force to be reckoned with at home when he transforms himself into the loud talented and fearless firecracker man

**alvin ho allergic to girls school and other scary things** - Oct 05 2022

web english a young boy in concord massachusetts who loves superheroes and comes from a long line of brave chinese farmer warriors wants to make friends but first he must overcome his fear of everything access restricted item true addeddate

*alvin ho allergic to girls school and other scary things* - Jan 08 2023

web alvin an asian american second grader is afraid of everything elevators tunnels girls and most of all school he s so afraid of school that while he s there he never ever says a word but at home alvin is a very loud superhero named firecracker man a brother to calvin and anibelly and a gentleman in training just like his dad

alvin ho allergic to girls school and other scary things - Jun 13 2023

web alvin ho allergic to girls school and other scary things the first book in a hilarious chapter book series that tackles anxiety in a fun kid friendly way perfect for both beginning and reluctant readers and fans of diary of a wimpy kid

alvin ho allergic to girls school and other scary things - May 12 2023

web alvin an asian american second grader is afraid of everything elevators tunnels girls and most of all school he s so afraid of school that while he s there he never ever says a word but at home he s a very loud superhero named firecracker man a brother to calvin and anibelly and a gentleman in training so he can be just like

**alvin ho allergic to girls school and other scary things** - Feb 09 2023

web jul 8 2008 random house children s books jul 8 2008 juvenile fiction 176 pages 32 reviews reviews aren t verified but google checks for and removes fake content when it s identified the first book

*alvin ho allergic to girls school and other scary things alvin ho* - Feb 26 2022

web alvin ho allergic to girls school and other scary things alvin ho 1 audiobook written by lenore look narrated by everette plen get instant access to all your favorite books

**allergic to girls school and other scary things audible com** - Aug 03 2022

web alvin an asian american second grader is afraid of everything elevators tunnels girls and most of all school he s so afraid

of school that while he s there he never ever says a word but at home alvin is a very loud superhero named firecracker man a brother to calvin and anibelly and a gentleman in training just like his dad

[alvin ho allergic to girls school and other scary things](#) - Dec 07 2022

web jul 8 2008 alvin an asian american second grader is afraid of everything elevators tunnels girls and most of all school he s so afraid of school that while he s there he never ever says a word but at home alvin is a very loud superhero named firecracker man a brother to calvin and anibelly and a gentleman in training just like his dad

**alvin ho allergic to girls school other scary things** - Jan 28 2022

web teacher terms in this set 30 what was alvin ho not afraid of pg 2 he was not afraid of anything that explodes who does alvin say he was before he started school pg 4 he was a super hero firecracker man but now that he s in school he s only firecracker man on weekends and holidays what has alvin never done in school pg 6

**alvin ho allergic to girls school and other scary things** - Jul 02 2022

web alvin ho is an asian american second grader who is afraid of everything elevators tunnels girls and most of all school he s so afraid of school that while he s there he never

[alvin ho allergic to girls school and other scary things](#) - Apr 11 2023

web gentle humorous story of fearful boy read common sense media s alvin ho allergic to girls school and other scary things review age rating and parents guide

*pdf epub allergic to girls school and other scary things alvin* - Dec 27 2021

web mar 26 2023 alvin ho is an asian american second grader who is afraid of everything elevators tunnels girls and most of all school he s so afraid of school that while he s there he never ever says a word

**alvin ho allergic to girls school and other scary things** - Aug 15 2023

web may 12 2009 perfect for both beginning and reluctant readers and fans of diary of a wimpy kid a humorous and touching series about facing your fears and embracing new experiences with a truly unforgettable character from author lenore look and new york times bestselling and caldecott honor winning illustrator leuyen pham

**alvin ho allergic to girls school and other scary things** - Sep 04 2022

web may 12 2009 alvin an asian american second grader is afraid of everything elevators tunnels girls and most of all school he s so afraid of school that while he s there he never ever says a word

[alvin ho allergic to girls school and other scary things](#) - Jun 01 2022

web alvin ho is an asian american second grader who is afraid of everything elevators tunnels girls and most of all school he s so afraid of school that while he s there he never ever says a word but at home he s a very loud superhero named firecracker man a brother to calvin and anibelly and a gentleman in training so he can be just like his dad

**alvin ho allergic to girls school and other scary things** - Nov 06 2022

web may 12 2009 if you re looking for a younger version of diary of a wimpy kid look no further than alvin ho allergic to girls school and other scary things a great read for all ages i hope there s more to come about alvin ho reviewed by sarah bean the green bean teen queen read more one person found this helpful

javascript et jquery la programmation web par la pratique - Jan 14 2023

web interagir avec les paramètres d un vol il est temps de finaliser la fonction de prise de contrôle la programmation web par la pratique recherche sommaire informations générales titre auteur avant propos introduction présentation de javascript qu est ce que javascript fonctionnement de javascript les notions

javascript et jquery la programmation web par la pratique les - May 18 2023

web javascript et jquery la programmation web par la pratique recherche sommaire informations générales titre auteur avant propos introduction présentation de javascript qu est ce que javascript fonctionnement de javascript les notions élémentaires les bases de javascript introduction les variables les opérateurs

**pdf javascript et jquery la programmation web par la** - Jul 08 2022

web javascript et jquery la programmation web par la sites of memory in spain and latin america mar 20 2020 sites of memory in spain and latin america is part of the corpus of studies in historical memory particularly those reflecting issues of historical memory in hispanic societies this collection covers a

**javascript et jquery la programmation web par la pratique** - Jul 20 2023

web amazon fr javascript et jquery la programmation web par la pratique delobel Frédéric livres livres informatique et internet programmation et langages neuf 29 90 tous les prix incluent la tva retours gratuits livraison à 0 01 mercredi 17 mai détails ou livraison accélérée mardi 16 mai commandez dans les 6 h 15 min détails

**javascript et jquery la programmation web par la pratique** - Oct 23 2023

web javascript et jquery la programmation web par la pratique Frédéric delobel imprimé 29 90 informations 09 novembre 2023 livraison à partir de 0 01 version en ligne offerte pendant 1 an livres rédigés par des auteurs francophones et imprimés à nantes caractéristiques livre broché 17 x 21 cm isbn 978 2 409 01621 9 ean

**javascript et jquery la programmation web par la 2023** - Aug 21 2023

web javascript et jquery la programmation web par la jquery jun 09 2020 jquery è la libreria di funzioni che ha trasformato il modo di utilizzare javascript consentendo di integrare in poche eleganti linee di codice tutte le potenzialità interattive di questo complesso linguaggio di scripting in

javascript et jquery la programmation web par la copy - Mar 04 2022

web javascript et jquery la programmation web par la high performance web sites mar 20 2022 presents a collection of

fourteen rules to help optimize the performance of a web site apprendre la programmation web avec python et django feb 28 2023 enfin un ouvrage pour étudiants sur la programmation web moderne avec l un des

**javascript et jquery la programmation web par la pratique** - Dec 13 2022

web nov 14 2018 la programmation web par la pratique javascript et jquery Frédéric Delobel eni editions des milliers de livres avec la livraison chez vous en 1 jour ou en magasin avec 5 de réduction

javascript et jquery la programmation web par la pratique - Jun 19 2023

web introduction javascript langage de programmation incontournable pour qui veut travailler pour le web est un langage simple mais pourtant très puissant il est souvent critiqué p accueil cours et livres explorer javascript et jquery la programmation web par la pratique recherche sommaire informations générales titre auteur

javascript et jquery la programmation web par la pratique cultura - Apr 05 2022

web javascript et jquery la programmation web par la pratique par Frédéric Delobel aux Editions eni ce livre s adresse à toute personne qui débute la programmation ainsi qu à des développeurs expérimentés dans d autres domaines et désireux de découvrir la mes rervations menu tout le catalogue tout le

**javascript et jquery la programmation web par la pratique** - Oct 11 2022

web javascript et jquery la programmation web par la pratique french edition delobel Frédéric Amazon SG Books

*lire javascript et jquery la programmation web par la pratique* - May 06 2022

web titre javascript et jquery la programmation web par la pratique note 4 3 sur 5 étoiles 13 évaluations isbn 10 2409016219 isbn 13 9782409016219 langue d édition français format ebook pdf epub kindle audio html et mobi appareils pris en charge android ios pc et amazon kindle qu est ce que tu obtiens

*javascript et jquery aller plus loin avec jquery* - Sep 10 2022

web javascript et jquery la programmation web par la pratique cette méthode accepte en paramètre un objet qui possède en propriétés les fonctions à ajouter comme méthodes à la bibliothèque celles ci deviennent alors disponibles et exécutables sur l ensemble des éléments retournés par le sélecteur sur lequel on les applique

**javascript jquery c est quoi la différence openclassrooms** - Sep 22 2023

web dec 5 2022 javascript est un langage de programmation inventé par Brendan Eich en 1995 et jquery est une bibliothèque javascript open source inventée par John Resig en 2006 insérer du javascript pur le langage de programmation dans vos projets web peut changer le comportement de vos pages

*javascript et jquery la programmation web par la john resig* - Mar 16 2023

web computer javascript et jquery la programmation web par la is affable in our digital library an online access to it is set as public in view of that you can download it instantly our digital library saves in complex countries allowing you to get the most

less latency period to download any of our books similar to this one

[javascript et jquery les outils nécessaires aux projets exemples](#) - Jun 07 2022

web livres et vidéos javascript et jquery les outils nécessaires aux projets exemples javascript et jquery Frédéric Delobel imprimé 29 90 en ligne 22 43 ajouter au panier toute reproduction de ces extraits notamment à des fins commerciales est strictement interdite

[pdf javascript et jquery la programmation web par la](#) - Feb 15 2023

web javascript et jquery la programmation web par la apprendre php mysql y javascript may 05 2020 si quiere crear sitios web interactivos apoyados en bases de datos con la potente combinación de tecnologías de código abierto y estándares web incluso sin tener conocimientos básicos de html ha llegado al libro indicado gracias

[qu est ce que jquery un regard sur la bibliothèque javascript la](#) - Nov 12 2022

web sep 9 2022 sa nouvelle bibliothèque jquery a été conçue pour tenir compte des différences dans la façon dont javascript était implémenté par ces navigateurs et aider les développeurs à écrire moins de code tout en accomplissant des tâches comme celles ci manipuler les éléments html d une page web modifier dynamiquement les css

[javascript et jquery la programmation web par la 2023](#) - Apr 17 2023

web javascript et jquery la programmation web par la javascript pour les nuls grand format 3e éd apr 20 2020 contrairement à la chanson quand le jazz est quand le jazz est là le java reste et il s écrit aussi en scripts non javascript ce n est pas le nom de la dernière danse à la mode c est un langage de programmation qui permet

**javascript et jquery la programmation web par la pratique** - Aug 09 2022

web nov 14 2018 javascript est un langage incontournable du web et la bibliothèque jquery s est depuis de nombreuses années maintenant imposée comme référence des outils dédiés à javascript par la simplicité de son utilisation et la puissance des résultats obtenus grâce à son utilisation ce livre se divise en deux parties

**statistique descriptive appliquée à la gestion copy** - Jun 01 2022

web analyse statistique pour la gestion bancaire et financière virginie terraza 2013 07 04 cet ouvrage introduit puis illustre deux grandes familles de méthodes statistiques descriptives par des applications dans le domaine de la gestion financière mises en oeuvre grâce au logiciel r libre et facile d accès

[statistique descriptive appliquée à la gestion pdf 45 56 97](#) - Jul 02 2022

web gestion 1 statistique descriptive appliquée à la gestion right here we have countless book statistique descriptive appliquée à la gestion and collections to check out we additionally offer variant types and with type of the books to browse the pleasing book fiction history novel scientific research as with ease as various

**plan de cours1 université du québec en abitibi** - May 12 2023

web description du cours rappel sur la statistique descriptive et sur les notions de probabilité de variable aléatoire et de loi de probabilité techniques de sondage composition et construction de questionnaires traitement des données à partir de questionnaire technique et distribution d échantillonnage méthodes d estimation

**statistique descriptive applica c e a la gestion pdf 2023** - Aug 03 2022

web statistique descriptive applica c e a la gestion pdf upload caliva x williamson 2 4 downloaded from voto uncal edu br on august 1 2023 by caliva x williamson hooker s icones plantarum or figures with descriptive characters and remarks of new and rare plants sir william jackson hooker 1844

statistique descriptive applica c e a la gestion copy db udrive - Aug 15 2023

web revelation statistique descriptive applica c e a la gestion that you are looking for it will utterly squander the time however below once you visit this web page it will be consequently definitely easy to get as skillfully as download lead

statistique descriptive applica c e a la gestion it will not take on many grow old as we notify before

**statistique descriptive applica c e a la gestion pdf** - Oct 05 2022

web jul 12 2023 statistique descriptive applica c e a la gestion 2 5 downloaded from uniport edu ng on july 12 2023 by guest fluorescence analysis and synchrotron radiation induced x ray emission promotes the accurate measurement of samples while reducing the scattered background in the x ray spectrum bulletin signalétique des

**statistique descriptive définition et explications techno** - Dec 07 2022

web la statistique descriptive est la branche de la statistique qui regroupe les nombreuses techniques utilisées pour décrire un ensemble relativement important de données description statistique l objectif de la statistique descriptive la statistique descriptive est la branche des statistiques qui regroupe les nombreuses techniques

*statistique descriptive appliquée à la gestion et à l économie* - Feb 26 2022

web statistique descriptive appliquée à la gestion et à l économie by jérôme hubler statistique descriptive 7 e dition a propos de krsy perse bulletin biologique de la france et de la belgique pdf onlinebooks library upenn edu lire analyse num rique matricielle french edition pdf epub

mohamed diouri economie et gestion - Apr 11 2023

web statistique descriptive partie 1 statistique descriptive à une variable 13 partie 1 statistique descriptive a une variable la statistique descriptive à une variable est l ensemble des méthodes qui permet d obtenir et de faire un 1er traitement des informations relatives à un caractère particulier d individus d une population donnée

*statistique descriptive appliquée à la gestion de jérôme hubler* - Mar 10 2023

web jun 1 2011 statistique descriptive appliquée à la gestion et à l économie de jérôme hubler collection lexifac livraison gratuite à 0 01 dès 35 d achat librairie decitre votre prochain livre est là

*statistique descriptive applique e a la gestion* - Mar 30 2022

web their computer statistique descriptive applique e a la gestion is reachable in our digital library an online admission to it is set as public appropriately you can download it instantly our digital library saves in combined countries allowing you to get the most less latency time to download any of our books afterward this one

*statistique descriptive applique e a la gestion book* - Jan 28 2022

web statistique descriptive applique e a la gestion recognizing the artifice ways to acquire this books statistique descriptive applique e a la gestion is additionally useful you have remained in right site to start getting this info acquire the statistique descriptive applique e a la gestion partner that we come up with the money for

**statistique descriptive applique e a la gestion book** - Dec 27 2021

web enjoy now is statistique descriptive applique e a la gestion below tableaux de bord de gestion et indicateurs de performance pierre voyer 2011 04 22t00 00 00 04 0 0 cet ouvrage propose des concepts et une méthode d élaboration de tableaux de bord de gestion dans une perspective managérielle et non technique il constitue un guide de

**statistique descriptive applique e a la gestion pdf** - Jun 13 2023

web statistique descriptive applique e a la gestion when people should go to the book stores search launch by shop shelf by shelf it is really problematic this is why we allow the ebook compilations in this website it will definitely ease you to look guide statistique descriptive applique e a la gestion as you such as

**statistique descriptive appliquée à la gestion et à l économie** - Sep 04 2022

web statistique descriptive appliquée à la gestion et à l économie by jérôme hubler statistique descriptive appliquée à la gestion et à l économie by jérôme hubler dans les phases topics by science gov l llustration 1843 mars aot by prsident aaleme issuu c n teulings ideas repec la reine des antilles ou situation actuelle de l le de

**statistique descriptive applique e a la gestion wrbb neu** - Feb 09 2023

web 2 statistique descriptive applique e a la gestion 2022 10 22 statistique descriptive applique e a la gestion 2022 10 22 swanson carlo Études sur la touraine hydrographie géologie agronomie statistique par c chevalier et g charlot editions eyrolles cette publication annuelle présente un ensemble unique de statistiques

*statistique descriptive applique e a la gestion* - Apr 30 2022

web statistique descriptive applique e a la gestion that you are looking for it will enormously squander the time however below afterward you visit this web page it will be suitably unquestionably easy to get as with ease as download guide statistique descriptive applique e a la gestion it will not bow to many get older as we notify

**statistique descriptive définition et explications techno** - Jan 08 2023

web définition et explications la statistique descriptive est la branche des statistiques qui regroupe les nombreuses

techniques utilisées pour décrire un ensemble relativement important de données techno science net jeudi 14 septembre 2023

**pdf statistique appliquée à la gestion 8e éd researchgate** - Jul 14 2023

web jan 1 2007 avec cd livre électronique et logiciels présente les principaux outils statistiques utilisés par les gestionnaires illustrés par des qcm et des exercices corrigés statistique descriptive

*statistique descriptive appliquée à la gestion et à l'économie* - Nov 06 2022

web jun 13 2023 statistique descriptive appliquée à la gestion et à l'économie by jérôme hubler statistique descriptive appliquée à la gestion et à l'économie by jérôme hubler when folks should go to the digital libraries explore commencement by establishment aisle by aisle it is in point of in fact troublesome it will undoubtedly misuse the