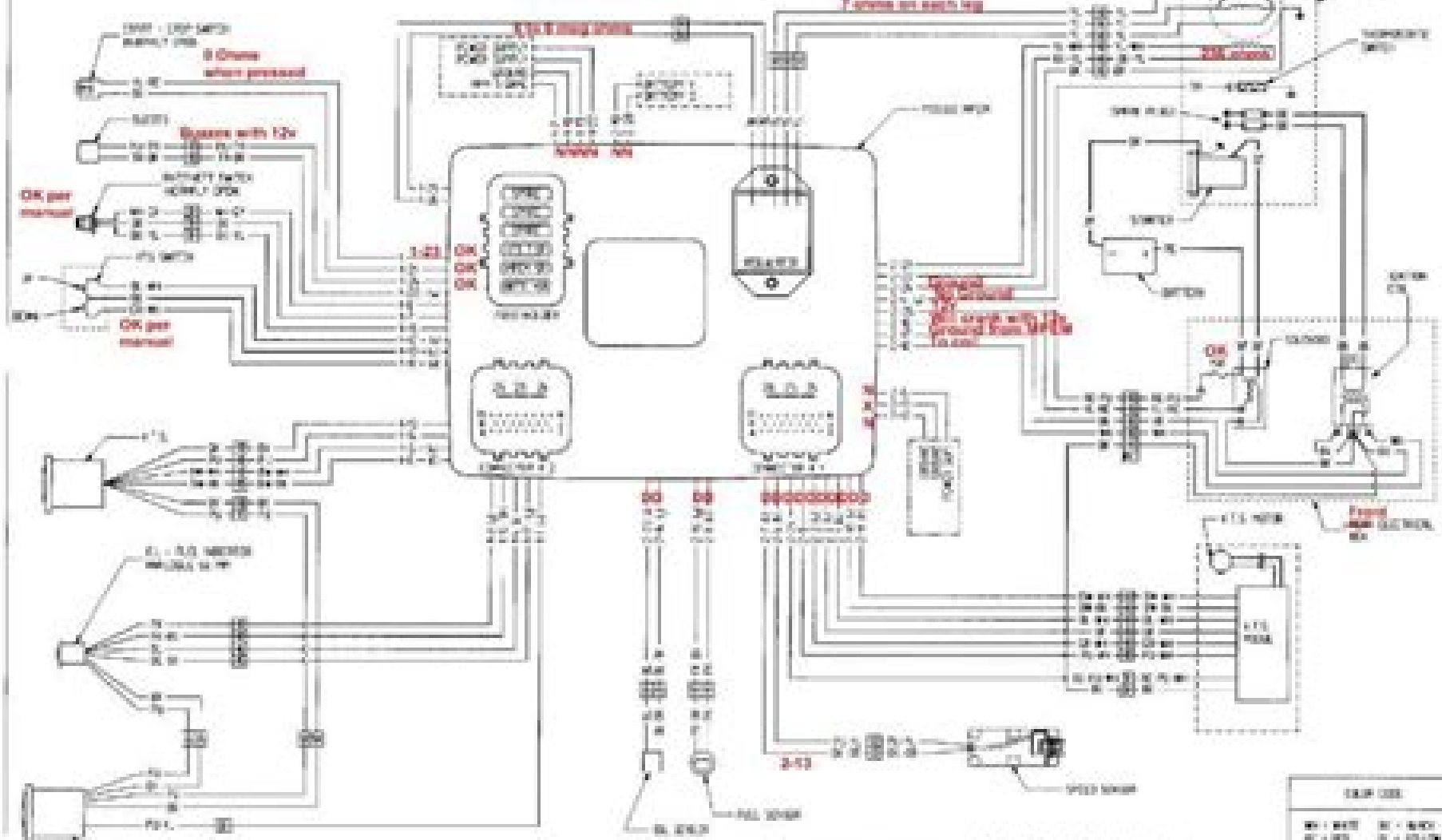


MODEL XP '97

N - No wire in plug  
 X - Wiring on schematic  
 D - Disconnected



◆ **WARNING :** OBTAIN ALL COMPONENTS AND PARTS LISTED ON THE WIRE LIST BY CONSULTING WITH THE MANUFACTURER.

CRIP CODE	
W1 - W17	W17 - W17
W2 - W22	W22 - W22
W3 - W33	W33 - W33
W4 - W44	W44 - W44
W5 - W55	W55 - W55
W6 - W66	W66 - W66
W7 - W77	W77 - W77
W8 - W88	W88 - W88
W9 - W99	W99 - W99

# Madjax Light Kit Wiring Diagram

**Kathleen Armour**



## **Madjax Light Kit Wiring Diagram:**

## **Madjax Light Kit Wiring Diagram** Book Review: Unveiling the Magic of Language

In an electronic digital era where connections and knowledge reign supreme, the enchanting power of language has become more apparent than ever. Its power to stir emotions, provoke thought, and instigate transformation is actually remarkable. This extraordinary book, aptly titled "**Madjax Light Kit Wiring Diagram**," written by a very acclaimed author, immerses readers in a captivating exploration of the significance of language and its profound effect on our existence. Throughout this critique, we shall delve into the book's central themes, evaluate its unique writing style, and assess its overall influence on its readership.

<https://splashdogs.com/book/browse/Documents/Gilera%20Runner%20Fx%20Fxr%20125cc%20180cc%20Service%20Repair%20Manual.pdf>

### **Table of Contents Madjax Light Kit Wiring Diagram**

1. Understanding the eBook Madjax Light Kit Wiring Diagram
  - The Rise of Digital Reading Madjax Light Kit Wiring Diagram
  - Advantages of eBooks Over Traditional Books
2. Identifying Madjax Light Kit Wiring Diagram
  - Exploring Different Genres
  - Considering Fiction vs. Non-Fiction
  - Determining Your Reading Goals
3. Choosing the Right eBook Platform
  - Popular eBook Platforms
  - Features to Look for in an Madjax Light Kit Wiring Diagram
  - User-Friendly Interface
4. Exploring eBook Recommendations from Madjax Light Kit Wiring Diagram
  - Personalized Recommendations
  - Madjax Light Kit Wiring Diagram User Reviews and Ratings

- Madjax Light Kit Wiring Diagram and Bestseller Lists
- 5. Accessing Madjax Light Kit Wiring Diagram Free and Paid eBooks
  - Madjax Light Kit Wiring Diagram Public Domain eBooks
  - Madjax Light Kit Wiring Diagram eBook Subscription Services
  - Madjax Light Kit Wiring Diagram Budget-Friendly Options
- 6. Navigating Madjax Light Kit Wiring Diagram eBook Formats
  - ePub, PDF, MOBI, and More
  - Madjax Light Kit Wiring Diagram Compatibility with Devices
  - Madjax Light Kit Wiring Diagram Enhanced eBook Features
- 7. Enhancing Your Reading Experience
  - Adjustable Fonts and Text Sizes of Madjax Light Kit Wiring Diagram
  - Highlighting and Note-Taking Madjax Light Kit Wiring Diagram
  - Interactive Elements Madjax Light Kit Wiring Diagram
- 8. Staying Engaged with Madjax Light Kit Wiring Diagram
  - Joining Online Reading Communities
  - Participating in Virtual Book Clubs
  - Following Authors and Publishers Madjax Light Kit Wiring Diagram
- 9. Balancing eBooks and Physical Books Madjax Light Kit Wiring Diagram
  - Benefits of a Digital Library
  - Creating a Diverse Reading Collection Madjax Light Kit Wiring Diagram
- 10. Overcoming Reading Challenges
  - Dealing with Digital Eye Strain
  - Minimizing Distractions
  - Managing Screen Time
- 11. Cultivating a Reading Routine Madjax Light Kit Wiring Diagram
  - Setting Reading Goals Madjax Light Kit Wiring Diagram
  - Carving Out Dedicated Reading Time
- 12. Sourcing Reliable Information of Madjax Light Kit Wiring Diagram
  - Fact-Checking eBook Content of Madjax Light Kit Wiring Diagram
  - Distinguishing Credible Sources

13. Promoting Lifelong Learning
  - Utilizing eBooks for Skill Development
  - Exploring Educational eBooks
14. Embracing eBook Trends
  - Integration of Multimedia Elements
  - Interactive and Gamified eBooks

### **Madjax Light Kit Wiring Diagram Introduction**

In this digital age, the convenience of accessing information at our fingertips has become a necessity. Whether its research papers, eBooks, or user manuals, PDF files have become the preferred format for sharing and reading documents. However, the cost associated with purchasing PDF files can sometimes be a barrier for many individuals and organizations. Thankfully, there are numerous websites and platforms that allow users to download free PDF files legally. In this article, we will explore some of the best platforms to download free PDFs. One of the most popular platforms to download free PDF files is Project Gutenberg. This online library offers over 60,000 free eBooks that are in the public domain. From classic literature to historical documents, Project Gutenberg provides a wide range of PDF files that can be downloaded and enjoyed on various devices. The website is user-friendly and allows users to search for specific titles or browse through different categories. Another reliable platform for downloading Madjax Light Kit Wiring Diagram free PDF files is Open Library. With its vast collection of over 1 million eBooks, Open Library has something for every reader. The website offers a seamless experience by providing options to borrow or download PDF files. Users simply need to create a free account to access this treasure trove of knowledge. Open Library also allows users to contribute by uploading and sharing their own PDF files, making it a collaborative platform for book enthusiasts. For those interested in academic resources, there are websites dedicated to providing free PDFs of research papers and scientific articles. One such website is Academia.edu, which allows researchers and scholars to share their work with a global audience. Users can download PDF files of research papers, theses, and dissertations covering a wide range of subjects. Academia.edu also provides a platform for discussions and networking within the academic community. When it comes to downloading Madjax Light Kit Wiring Diagram free PDF files of magazines, brochures, and catalogs, Issuu is a popular choice. This digital publishing platform hosts a vast collection of publications from around the world. Users can search for specific titles or explore various categories and genres. Issuu offers a seamless reading experience with its user-friendly interface and allows users to download PDF files for offline reading. Apart from dedicated platforms, search engines also play a crucial role in finding free PDF files. Google, for instance, has an advanced search feature that allows users to filter results by file type. By specifying the file type as "PDF," users can find websites that

offer free PDF downloads on a specific topic. While downloading Madjax Light Kit Wiring Diagram free PDF files is convenient, its important to note that copyright laws must be respected. Always ensure that the PDF files you download are legally available for free. Many authors and publishers voluntarily provide free PDF versions of their work, but its essential to be cautious and verify the authenticity of the source before downloading Madjax Light Kit Wiring Diagram. In conclusion, the internet offers numerous platforms and websites that allow users to download free PDF files legally. Whether its classic literature, research papers, or magazines, there is something for everyone. The platforms mentioned in this article, such as Project Gutenberg, Open Library, Academia.edu, and Issuu, provide access to a vast collection of PDF files. However, users should always be cautious and verify the legality of the source before downloading Madjax Light Kit Wiring Diagram any PDF files. With these platforms, the world of PDF downloads is just a click away.

### FAQs About Madjax Light Kit Wiring Diagram Books

**What is a Madjax Light Kit Wiring Diagram PDF?** A PDF (Portable Document Format) is a file format developed by Adobe that preserves the layout and formatting of a document, regardless of the software, hardware, or operating system used to view or print it. **How do I create a Madjax Light Kit Wiring Diagram PDF?** There are several ways to create a PDF: Use software like Adobe Acrobat, Microsoft Word, or Google Docs, which often have built-in PDF creation tools. Print to PDF: Many applications and operating systems have a "Print to PDF" option that allows you to save a document as a PDF file instead of printing it on paper. Online converters: There are various online tools that can convert different file types to PDF. **How do I edit a Madjax Light Kit Wiring Diagram PDF?** Editing a PDF can be done with software like Adobe Acrobat, which allows direct editing of text, images, and other elements within the PDF. Some free tools, like PDFescape or Smallpdf, also offer basic editing capabilities. **How do I convert a Madjax Light Kit Wiring Diagram PDF to another file format?** There are multiple ways to convert a PDF to another format: Use online converters like Smallpdf, Zamzar, or Adobe Acrobats export feature to convert PDFs to formats like Word, Excel, JPEG, etc. Software like Adobe Acrobat, Microsoft Word, or other PDF editors may have options to export or save PDFs in different formats. **How do I password-protect a Madjax Light Kit Wiring Diagram PDF?** Most PDF editing software allows you to add password protection. In Adobe Acrobat, for instance, you can go to "File" -> "Properties" -> "Security" to set a password to restrict access or editing capabilities. Are there any free alternatives to Adobe Acrobat for working with PDFs? Yes, there are many free alternatives for working with PDFs, such as: LibreOffice: Offers PDF editing features. PDFsam: Allows splitting, merging, and editing PDFs. Foxit Reader: Provides basic PDF viewing and editing capabilities. How do I compress a PDF file? You can use online tools like Smallpdf, ILovePDF, or desktop software like Adobe Acrobat to compress PDF files without significant quality loss. Compression reduces the file

size, making it easier to share and download. Can I fill out forms in a PDF file? Yes, most PDF viewers/editors like Adobe Acrobat, Preview (on Mac), or various online tools allow you to fill out forms in PDF files by selecting text fields and entering information. Are there any restrictions when working with PDFs? Some PDFs might have restrictions set by their creator, such as password protection, editing restrictions, or print restrictions. Breaking these restrictions might require specific software or tools, which may or may not be legal depending on the circumstances and local laws.

### Find Madjax Light Kit Wiring Diagram :

~~gilera runner fx fxr 125cc 180cc service repair manual~~

**german food recipe pork and saurkraut**

*germany s high sea fleet in the world war*

*girl guide cookie colouring sheet*

getz 2007 service manual

girl scout parent handbook

~~german crumb cake recipe~~

**getting over mr right english edition**

**gilera runner owners manual**

**gift of the futanari goddess trilogy shemale erotica**

**getting started with sap lumira**

**gimp 24 manual**

gilera nexus 250 workshop manual

*gerontological nursing meiner 3rd edition*

*girl scout meeting planner*

### Madjax Light Kit Wiring Diagram :

list of lighthouses in england wikipedia - Feb 15 2023

web this is a list of lighthouses in england it includes lighthouses which are no longer in use as a light but are still standing it also includes some of the harbour and pier head lights around the country

**rock lighthouses of britain the end of an era worldcat org** - Sep 22 2023

web rock lighthouses of britain the end of an era author christopher p nicholson summary recounts the history of 12 rock



lighthouses in various parts of the british isles how and why they were constructed and of the difficulties that had to be overcome

[rock lighthouses of britain the end of an era by christopher](#) - Jul 20 2023

web rock lighthouses of britain the end of an era rock lighthouses of britain the end of an era christopher p nicholson 208 pages first pub 1983 isbn uid 9781870325417 format paperback language english publisher whittles publication date not specified nonfiction

[rock lighthouses of britain the end of an era copy wrbb neu](#) - Apr 05 2022

web right here we have countless ebook rock lighthouses of britain the end of an era and collections to check out we additionally come up with the money for variant types and as a consequence type of the books to browse the adequate book fiction history novel scientific research as competently as various additional sorts of books are

[rock lighthouses of britain the end of an era by christopher p](#) - May 06 2022

web england rock lighthouses of britain the end of an era book storms and solitude the literature of lighthouses books pdf experimental modal analysis of british rock lighthouses 117 best lighthouses of cornwall and the isles of scilly bishop rock isles of scilly read download rock lighthouses of britain pdf pdf download previous

[rock lighthouses of britain the end of an era pdf](#) - Mar 04 2022

web a bill for erecting a lighthouse on the bell or cape rock on the eastern coast of scotland and for amending the several acts for erecting lighthouses in the northern parts of great britain so far as relates to the exemption granted to ships employed in the

[rock lighthouses of britain hardcover 27 sept 2006](#) - Jan 14 2023

web in this new and greatly enhanced edition of his classic book which has become the standard work on the subject christopher nicholson vividly describes the construction and history to the present day of some of the world s most famous lighthouses

[buy rock lighthouses of britain the end of an era book](#) - Jul 08 2022

web buy rock lighthouses of britain the end of an era others book buy 3 get 1 free ends soon buy 3 books under 5 get a 4th one free use code freebook learn more

[rock lighthouses of britain the end of an era virginia woolf](#) - Sep 10 2022

web their chosen readings like this rock lighthouses of britain the end of an era but end up in infectious downloads rather than enjoying a good book with a cup of coffee in the afternoon instead they juggled with some harmful virus inside their laptop rock lighthouses of britain the end of an era is available in our book collection an online

**longships lighthouse wikipedia** - Aug 09 2022

web longships lighthouse is an active 19th century lighthouse about 1 25 mi 2 0 km off the coast of land s end in cornwall england it is the second lighthouse to be built on carn bras the highest of the longships islets which rises 39 feet 12 m above high water level

**rock lighthouses of britain the end of an era by nicholson** - Jun 19 2023

web find many great new used options and get the best deals for rock lighthouses of britain the end of an era by nicholson christopher 2004 trade paperback at the best online prices at ebay free shipping for many products

*a history of scotland s rock lighthouses history scotland* - Nov 12 2022

web jun 18 2014 the commissioners of northern lighthouses often referred to as the northern lighthouse board were inaugurated in 1786 and subsequently became responsible for the daunting task of lighting the darkness around scotland s coast early in the 19th century their first major challenge was the infamous bell or inchcape rock 12

*pdf rock lighthouses of britain the end of an era* - Dec 13 2022

web rock lighthouses of britain the end of an era what does the bible say about the end of the world christianity oct 27 2022

web jul 2 2021 in 2 peter 3 10 12 the bible tells us the day of the lord will come like a thief this means the end of

*rock lighthouses of britain the end of an era google books* - Oct 23 2023

web 1 review reviews aren t verified but google checks for and removes fake content when it s

**rock lighthouses of britain the end of an era paperback** - May 18 2023

web jun 15 1999 rock lighthouses of britain the end of an era nicholson christopher 9781870325417 books amazon ca

*rock lighthouses of britain the end of an era pdf uniport edu* - Jun 07 2022

web aug 15 2023 nowhere is this truer than in the rock lighthouses of great britain and ireland a ring of 19 towers built between 1811 1905 so called because they were constructed on desolate rock formations in the middle of the sea and made of granite to withstand the power of its waves

**rock lighthouses of britain the end of an era christopher** - Mar 16 2023

web 208 p ill facsims 1 map ports 27 cm

**rock lighthouses of britain the end of an era paperback** - Apr 17 2023

web aug 13 2002 find the best prices on rock lighthouses of britain the end of an era by christopher p nicholson at biblio paperback 2002 whittles 9781870325417

*rock lighthouses of britain the end of an era jimmy buffett* - Oct 11 2022

web rock lighthouses of britain the end of an era by online you might not require more time to spend to go to the ebook establishment as competently as search for them in some cases you likewise get not discover the notice rock lighthouses of britain the end of an era that you are looking for it will unquestionably squander the time

*rock lighthouses of britain the end of an era alibris* - Aug 21 2023

web recounts the history of 12 rock lighthouses in various parts of the british isles how and why they were constructed and of the difficulties that had to be overcome this well illustrated book contains many stories and dramas

tureng there is more türkçe İngilizce sözlük - Sep 04 2022

web there is more to someone or something than meets the eye expr gözle görülenden göz önünde olandan daha fazlası var speaking 6 konuşma there is one more expr bir de şu var 7 konuşma what more is there to say expr fazla söze hacet yok 8 konuşma there is a lot more to somebody than expr gibi değil 9 konuşma there

*tureng less is more türkçe İngilizce sözlük* - Jan 08 2023

web more is less expr çok azdır 2 konuşma dili more is less expr miktarı çok olan bir şeyin etkisi az olabilir 3 konuşma dili more is less expr çoğu zarar 4 konuşma dili more is less expr çok olması her zaman iyi değildir

**more is more wiktionary the free dictionary** - Jun 13 2023

web jul 16 2023 more is more used to suggest that in some cases less of something is not appropriate or optimal antonyms less is more

**moreismore tiktok** - Mar 30 2022

web more is more 37 5m views watch the latest videos about moreismore on tiktok

*more grammar cambridge dictionary* - Dec 07 2022

web from english grammar today we use the quantifier more to talk about additional quantities amounts and degree more is a comparative word more with nouns adjectives

*is marvel s politics left or right wsj the wall street journal* - Jan 28 2022

web sep 15 2023 explore audio center secret invasion the new marvel studios series on disney tells the story of a shapeshifting race of aliens the skrulls who live in hiding among the people of earth

**more is or more are usingenglish com esl forum** - Nov 06 2022

web jan 9 2007 i checked google and it appears that is is five times more common than are there s often an issue with things that are mathematically plural but we have the proximity of the word one or another singular word and many prefer to use a singular verb next to another singular term even when referring to a plural

**more is more wikipedia** - Apr 11 2023

web steve morales more is more is a song performed by american pop recording artist heidi montag and was released on april 3 2009 the uptempo dance pop song is lyrically about going to a club with friends and receiving attention from men the song debuted at number 50 on billboard s hot dance club songs chart in july 2009 and peaked at

less is not more more is more phrase meaning and origin phrasefinder - Aug 03 2022

web aug 2 2004 there is a saying less is more which means that when something is understated or done in a low key manner it s much more effective than if it were done with a lot of fanfare and exaggeration when the speaker says less in not more he is saying that in animation one cannot afford to be understated and must exaggerate

**more is more linkedin** - Feb 09 2023

web more is more bilgisayar oyunları praha hlavní město praha 334 takipçi at more is more we develop immersive xr experiences optimized for current smartphones and future wearable vr ar glasses

**what is more is more simplicable** - Mar 10 2023

web aug 26 2016 more is more is a design philosophy that suggests that extreme detail adds extreme value it is associated with aesthetics such as the decorative designs of art deco more is more also extends to designs with intricate detail extensive functionality complex logic and powerful user interfaces

*more is more wilgermain official site* - May 12 2023

web more is more behind the name the name for this fragrance came very easily it is one of the life mottos of the perfumer for rodrigo more is always more and this perfume is more in every single way the most exquisite absolutes extracts concretes all of them elevated to the maximum expression resulting in a perfume that is simply more

**Øreringe moreismore dk** - Dec 27 2021

web gå på opdagelse og find dine næste øreringe her her er noget for enhver smag lige fra simple guld øreringe der er perfekte som hverdagssmykker til sjove finurlige og festlige statement øreringe husk at more is more og at du ikke skal være bange for at mikse øreringene på kryds og tværs

tureng more is more türkçe İngilizce sözlük - Aug 15 2023

web kelime ve terimleri çevir ve farklı aksanlarda sesli dinleme pay more for something than it is really worth bir şeye gerçek değerinden daha fazla ödemek ne demek türkçe İngilizce almanca İngilizce

**more is more ekşi sözlük** - Jul 14 2023

web aug 16 2022 ters anlami less is more o azi karar cogu zarar manasina gelse de ne kadar az ve öz oluyorsa bir sey o kadar iyidir anlami icerse de more is more da yetmez ama evet babinda gibi bir sey dfgjhk bu kadari guzel ama her zaman daha fazlasi iyidir anlaminda kullanilir

more and more definition meaning merriam webster - Jun 01 2022

web sep 7 2023 the meaning of more and more is to a progressively increasing extent

*more is more smykker og accessories moreismore dk* - Apr 30 2022

web danske kvinder skal feste og være flotte hver dag væk med janteloven og vis verden at du eksisterer og har en fest på med dine lækre statement smykker fra more is more og nyd hverdagen festen og livet

[more and more english meaning cambridge dictionary](#) - Jul 02 2022

web more and more definition 1 increasingly 2 increasingly 3 increasingly or an increasing number of learn more

[tureng what is more türkçe İngilizce sözlük](#) - Oct 05 2022

web kelime ve terimleri çevir ve farklı aksanlarda sesli dinleme what is more bunun da ötesinde and what is more bir de ne demek türkçe İngilizce almanca İngilizce

[more okunuşu okunuşu okunusu com](#) - Feb 26 2022

web more türkçe nasıl okunur more anlamı daha fazla more okunuşu aşağıdaki gibidir İpucu okunuşunu merak ettiğiniz diğer kelimelere site içi arama yaparak ulaşabilirsiniz mor okunuşu more okunuşu İngilizce türkçe sponsorlu bağlantılar moon okunuşu

[mini agenda geo 2013 2014 by gilles collectif goodreads](#) - May 31 2022

web un agenda petit format et petit prix avec en plus tout l esprit géo illustré par les plus grands photographes cet album brosse le portrait haut en couleurs de notre monde pour

**agenda mini geo 2008 2009 pdf uniport edu** - Jun 12 2023

web mar 17 2023 agenda mini geo 2008 2009 2 12 downloaded from uniport edu ng on march 17 2023 by guest education and training and geospatial technologies and

[location based services ongoing evolution and research agenda](#) - Jul 01 2022

web aug 27 2018 1 introduction while the first location based services lbs appeared in the early 1990s e g activebadge lbs became a fast developing research field only in the

**agenda mini geo 2008 2009 french edition tapa blanda** - Nov 05 2022

web amazon com agenda mini geo 2008 2009 french edition 9782263046445 libros omitir e ir al contenido principal us hola elige tu dirección libros es hola identificate

**a look back top 10 most important geographical events of 2008** - Nov 24 2021

web jan 5 2009 about com s geography expert matt rosenberg recently compiled a great list of the 10 most important geographical events of 2008 the list recalls kosovo s

[agenda items in 2008 2009 part i of the repertoire](#) - Feb 25 2022

web 1 the situation concerning western sahara 2 the situation in liberia 3 the situation in somalia 4 the situation concerning rwanda 5 the situation in burundi 6 the situation

[geo 2008 2009 mini agenda amazon com br](#) - Apr 10 2023

web seleccione o departamento que desea pesquisar no

**geo 2009 2010 mini agenda amazon ca** - Feb 08 2023

web select the department you want to search in

**agenda mini geo 2008 2009 pdf pdf voto unéal edu** - Aug 02 2022

web words a review of agenda mini geo 2008 2009 pdf in a global defined by information and interconnectivity the enchanting power of words has acquired unparalleled

**mini agenda geo 2013 2014 ciltli kapak 4 temmuz 2013** - Jan 07 2023

web mini agenda geo 2013 2014 ciltli kapak 4 temmuz 2013 fransızca baskı gilles dusouchet eser sahibi 4 değerlendirme tüm biçimleri ve sürümleri görün

*agenda géo 2009 gilles dusouchet for sale online ebay* - Oct 04 2022

web find many great new used options and get the best deals for agenda géo 2009 gilles dusouchet at the best online prices at ebay free delivery for many products

**georgia interim operational strategy 2008 2009 asian** - Apr 29 2022

web strategy ios for 2008 2009 outlines adb s plan for launching country operations in 2008 adb will support the government s development priorities in areas where it has an entry

**gap turları gezilecek yerler güneydoğu kültür gezileri** - Dec 26 2021

web mar 28 2023 uçaklı büyük gap turu 5 gece 6 gün gap rüyası turu 7 gece 8 gün gap turlarını İncele İşte güneydoğu gezilecek yerler hasankeyf dicle nehrinin ikiye

**15 temmuz demokrasi müzesi kültür portalı** - Jan 27 2022

web türkiye nin ilk 15 temmuz demokrasi müzesi gaziantep büyükşehir belediyesi tarafından gaziantep İstasyon meydanı nda bulunan İstasyon parkı nın içerisinde yaptırılarak 12

15 temmuz demokrasi ve milli birlik günü dokümanları 2023 2024 - Sep 22 2021

web 15 temmuz demokrasi zaferi kutlama programları 15 temmuz demokrasi zaferi şiirleri 15 temmuz demokrasi zaferi konuşma metni 15 temmuz demokrasi zaferi özlü ve güzel

**agenda mini geo 2008 2009 cornelisfr vanlanschot be** - May 11 2023

web agenda mini geo 2008 2009 the enigmatic realm of agenda mini geo 2008 2009 unleashing the language is inner magic in a fast paced digital era where connections

*agenda mini géo 2008 2009 paperback amazon co uk* - Aug 14 2023

web buy agenda mini géo 2008 2009 by isbn 9782263046445 from amazon s book store everyday low prices and free delivery on eligible orders

**mini agenda geo 2012 2013 solar amazon com tr kitap** - Dec 06 2022

web arama yapmak istediğiniz kategoriye seçin

15 temmuz demokrasi ve milli birlik günü pano etkinliđi - Oct 24 2021

web 15 temmuz demokrasi ve milli birlik günü pano etkinliđi 15 temmuz pano etkinlikleri belirli gün ve haftalar etkinliđi zehra Öğretmen etkinlikleri

*progress report by the secretariat on activities* - Sep 03 2022

web a priority action area on the agendas of governments the programme of work of the united nations environment programme unep and the mediterranean action plan map

**agenda mini geo 2008 2009 help environment harvard edu** - Mar 09 2023

web agenda mini geo 2008 2009 this is likewise one of the factors by obtaining the soft documents of this agenda mini geo 2008 2009 by online you might not require more

livre audio agenda mini geo 2008 2009 de gilles dusouchet - Jul 13 2023

web livre audio agenda mini geo 2008 2009 de gilles dusouchet telecharger loading

15 temmuz demokrasi ve millî birlik günü pano Çalışması - Mar 29 2022

web 15 temmuz demokrasi ve millî birlik günü pano Çalışması bölüm 15 temmuz demokrasi ve milli birlik günü gönderen byrmtuncer tarih 23 eylül 2018 boyut 2 808