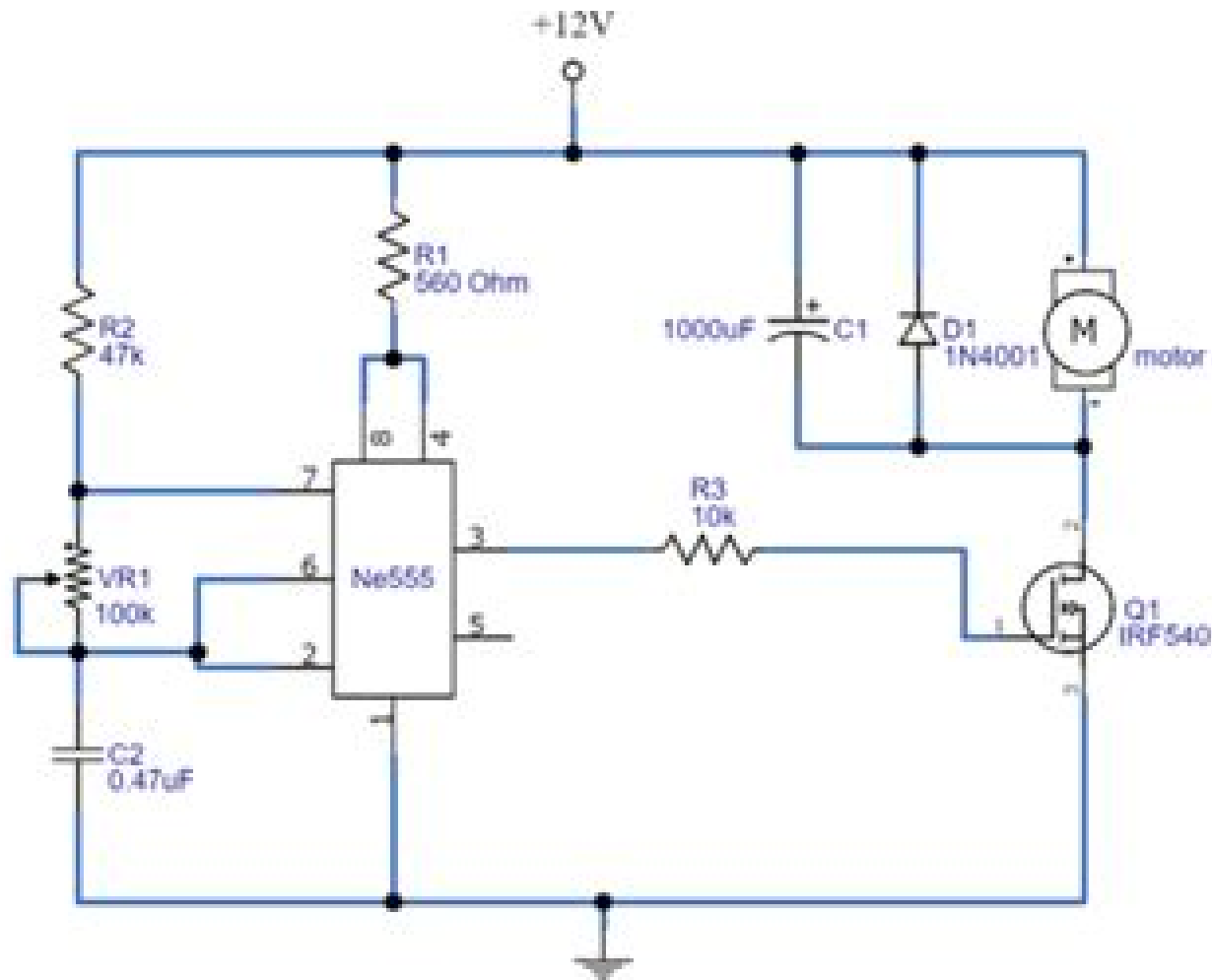


# DC Motor Speed Control Circuit



For Complete Details Visit :  
[www.Circuits-DIY.com](http://www.Circuits-DIY.com)

# Motor Speed Control Circuit Diagram

**Sabine Zange**



## **Motor Speed Control Circuit Diagram:**

Dynamic Modeling, Simulation and Control of Energy Generation Ranjan Vepa, 2013-09-11 This book addresses the core issues involved in the dynamic modeling simulation and control of a selection of energy systems such as gas turbines wind turbines fuel cells and batteries The principles of modeling and control could be applied to other non convention methods of energy generation such as solar energy and wave energy A central feature of Dynamic Modeling Simulation and Control of Energy Generation is that it brings together diverse topics in thermodynamics fluid mechanics heat transfer electro chemistry electrical networks and electrical machines and focuses on their applications in the field of energy generation its control and regulation This book will help the reader understand the methods of modelling energy systems for controller design application as well as gain a basic understanding of the processes involved in the design of control systems and regulators It will also be a useful guide to simulation of the dynamics of energy systems and for implementing monitoring systems based on the estimation of internal system variables from measurements of observable system variables Dynamic Modeling Simulation and Control of Energy Generation will serve as a useful aid to designers of hybrid power generating systems involving advanced technology systems such as floating or offshore wind turbines and fuel cells The book introduces case studies of the practical control laws for a variety of energy generation systems based on nonlinear dynamic models without relying on linearization Also the book introduces the reader to the use nonlinear model based estimation techniques and their application to energy systems

Learn Electronics with Arduino Don Wilcher, 2012-11-27 Have you ever wondered how electronic gadgets are created Do you have an idea for a new proof of concept tech device or electronic toy but have no way of testing the feasibility of the device Have you accumulated a junk box of electronic parts and are now wondering what to build Learn Electronics with Arduino will answer these questions to discovering cool and innovative applications for new tech products using modification reuse and experimentation techniques You ll learn electronics concepts while building cool and practical devices and gadgets based on the Arduino an inexpensive and easy to program microcontroller board that is changing the way people think about home brew tech innovation Learn Electronics with Arduino uses the discovery method Instead of starting with terminology and abstract concepts You ll start by building prototypes with solderless breadboards basic components and scavenged electronic parts Have some old blinky toys and gadgets lying around Put them to work You ll discover that there is no mystery behind how to design and build your own circuits practical devices cool gadgets and electronic toys As you re on the road to becoming an electronics guru you ll build practical devices like a servo motor controller and a robotic arm You ll also learn how to make fun gadgets like a sound effects generator a music box and an electronic singing bird

**Microcontroller Programming and Interfacing Texas Instruments MSP430** Steven F. Barrett, Daniel J. Pack, 2011-05-01 This book provides a thorough introduction to the Texas Instruments MSP430 microcontroller The MSP430 is a 16 bit reduced instruction set RISC processor that features ultra low power consumption

and integrated digital and analog hardware Variants of the MSP430 microcontroller have been in production since 1993 This provides for a host of MSP430 products including evaluation boards compilers and documentation A thorough introduction to the MSP430 line of microcontrollers programming techniques and interface concepts are provided along with considerable tutorial information with many illustrated examples Each chapter provides laboratory exercises to apply what has been presented in the chapter The book is intended for an upper level undergraduate course in microcontrollers or mechatronics but may also be used as a reference for capstone design projects Also practicing engineers already familiar with another microcontroller who require a quick tutorial on the microcontroller will find this book very useful *Fundamentals of Power Electronics* Bhattacharya S.K.,2009-11-01 The Application Of Power Electronics Is Increasingly Being Seen In Residential Commercial Industrial Transportation Aerospace And Telecommunication Systems An Electrical Electronics Or Control Systems Engineer Needs To Understand The Basic Devices **Microcontroller Programming and Interfacing TI MSP 430 PART II** Steven F. Barrett,Daniel J. Pack,2022-11-10 This book provides a thorough introduction to the Texas Instruments MSP430 microcontroller The MSP430 is a 16 bit reduced instruction set RISC processor that features ultra low power consumption and integrated digital and analog hardware Variants of the MSP430 microcontroller have been in production since 1993 This provides for a host of MSP430 products including evaluation boards compilers and documentation A thorough introduction to the MSP430 line of microcontrollers programming techniques and interface concepts are provided along with considerable tutorial information with many illustrated examples Each chapter provides laboratory exercises to apply what has been presented in the chapter The book is intended for an upper level undergraduate course in microcontrollers or mechatronics but may also be used as a reference for capstone design projects Also practicing engineers already familiar with another microcontroller who require a quick tutorial on the microcontroller will find this book very useful [A Small Book on Electric Motors for Continuous and Alternating Currents](#) William Perren Maycock,1918 *Bell Telephone System Technical Publications* Bell Telephone Laboratories,1929 *Electrical Machinery and Control Diagrams* Terrell Croft,1924 [Advances in Parallel Computing Algorithms, Tools and Paradigms](#) D. Jude Hemanth,Tu N. Nguyen,J. Indumathi,Sairamesh Lakshmanan,2022-11-15 Recent developments in parallel computing for various fields of application are providing improved solutions for handling data These newer innovative ideas offer the technical support necessary to enhance intellectual decisions while also dealing more efficiently with the huge volumes of data currently involved This book presents the proceedings of ICAPTA 2022 the International Conference on Advances in Parallel Computing Technologies and Applications hosted as a virtual conference from Bangalore India on 27 and 28 January 2022 The aim of the conference was to provide a forum for the sharing of knowledge about various aspects of parallel computing in communications systems and networking including cloud and virtualization solutions management technologies and vertical application areas The conference also provided a premier platform for scientists researchers practitioners and academicians

to present and discuss their most recent innovations trends and concerns as well as the practical challenges encountered in this field More than 300 submissions were received for the conference from which the 91 full length papers presented here were accepted after review by a panel of subject experts Topics covered include parallel computing in communication machine learning intelligence for parallel computing and parallel computing for software services in theoretical and practical aspects Providing an overview of recent developments in the field the book will be of interest to all those whose work involves the use of parallel computing technologies

The Bell System Technical Journal ,1929    *Industrial Motor Control Fundamentals* R. L. McIntyre,Rex Losee,1990    **Power Plant Engineering** ,1912    Electronics ,1945-07 June issues 1941 44 and Nov issue 1945 include a buyers guide section    **Power** ,1920    **Diagrams of Electrical Connections** Cecil Percy Poole,1907    **Electrical World** ,1908    **Southern Electrician** ,1912    Transit Journal ,1904    *Direct Currents* Carl Edward Magnusson,1929    *The Electric Journal* ,1916

Fuel your quest for knowledge with Authored by is thought-provoking masterpiece, Explore **Motor Speed Control Circuit Diagram** . This educational ebook, conveniently sized in PDF ( \*), is a gateway to personal growth and intellectual stimulation. Immerse yourself in the enriching content curated to cater to every eager mind. Download now and embark on a learning journey that promises to expand your horizons. .

[https://splashdogs.com/book/detail/HomePages/Ib\\_Language\\_B\\_English\\_Past\\_Papers.pdf](https://splashdogs.com/book/detail/HomePages/Ib_Language_B_English_Past_Papers.pdf)

## **Table of Contents Motor Speed Control Circuit Diagram**

1. Understanding the eBook Motor Speed Control Circuit Diagram
  - The Rise of Digital Reading Motor Speed Control Circuit Diagram
  - Advantages of eBooks Over Traditional Books
2. Identifying Motor Speed Control Circuit Diagram
  - Exploring Different Genres
  - Considering Fiction vs. Non-Fiction
  - Determining Your Reading Goals
3. Choosing the Right eBook Platform
  - Popular eBook Platforms
  - Features to Look for in an Motor Speed Control Circuit Diagram
  - User-Friendly Interface
4. Exploring eBook Recommendations from Motor Speed Control Circuit Diagram
  - Personalized Recommendations
  - Motor Speed Control Circuit Diagram User Reviews and Ratings
  - Motor Speed Control Circuit Diagram and Bestseller Lists
5. Accessing Motor Speed Control Circuit Diagram Free and Paid eBooks
  - Motor Speed Control Circuit Diagram Public Domain eBooks
  - Motor Speed Control Circuit Diagram eBook Subscription Services
  - Motor Speed Control Circuit Diagram Budget-Friendly Options

6. Navigating Motor Speed Control Circuit Diagram eBook Formats
  - ePub, PDF, MOBI, and More
  - Motor Speed Control Circuit Diagram Compatibility with Devices
  - Motor Speed Control Circuit Diagram Enhanced eBook Features
7. Enhancing Your Reading Experience
  - Adjustable Fonts and Text Sizes of Motor Speed Control Circuit Diagram
  - Highlighting and Note-Taking Motor Speed Control Circuit Diagram
  - Interactive Elements Motor Speed Control Circuit Diagram
8. Staying Engaged with Motor Speed Control Circuit Diagram
  - Joining Online Reading Communities
  - Participating in Virtual Book Clubs
  - Following Authors and Publishers Motor Speed Control Circuit Diagram
9. Balancing eBooks and Physical Books Motor Speed Control Circuit Diagram
  - Benefits of a Digital Library
  - Creating a Diverse Reading Collection Motor Speed Control Circuit Diagram
10. Overcoming Reading Challenges
  - Dealing with Digital Eye Strain
  - Minimizing Distractions
  - Managing Screen Time
11. Cultivating a Reading Routine Motor Speed Control Circuit Diagram
  - Setting Reading Goals Motor Speed Control Circuit Diagram
  - Carving Out Dedicated Reading Time
12. Sourcing Reliable Information of Motor Speed Control Circuit Diagram
  - Fact-Checking eBook Content of Motor Speed Control Circuit Diagram
  - Distinguishing Credible Sources
13. Promoting Lifelong Learning
  - Utilizing eBooks for Skill Development
  - Exploring Educational eBooks
14. Embracing eBook Trends
  - Integration of Multimedia Elements

- Interactive and Gamified eBooks

### Motor Speed Control Circuit Diagram Introduction

Free PDF Books and Manuals for Download: Unlocking Knowledge at Your Fingertips In today's fast-paced digital age, obtaining valuable knowledge has become easier than ever. Thanks to the internet, a vast array of books and manuals are now available for free download in PDF format. Whether you are a student, professional, or simply an avid reader, this treasure trove of downloadable resources offers a wealth of information, conveniently accessible anytime, anywhere. The advent of online libraries and platforms dedicated to sharing knowledge has revolutionized the way we consume information. No longer confined to physical libraries or bookstores, readers can now access an extensive collection of digital books and manuals with just a few clicks. These resources, available in PDF, Microsoft Word, and PowerPoint formats, cater to a wide range of interests, including literature, technology, science, history, and much more. One notable platform where you can explore and download free Motor Speed Control Circuit Diagram PDF books and manuals is the internet's largest free library. Hosted online, this catalog compiles a vast assortment of documents, making it a veritable goldmine of knowledge. With its easy-to-use website interface and customizable PDF generator, this platform offers a user-friendly experience, allowing individuals to effortlessly navigate and access the information they seek. The availability of free PDF books and manuals on this platform demonstrates its commitment to democratizing education and empowering individuals with the tools needed to succeed in their chosen fields. It allows anyone, regardless of their background or financial limitations, to expand their horizons and gain insights from experts in various disciplines. One of the most significant advantages of downloading PDF books and manuals lies in their portability. Unlike physical copies, digital books can be stored and carried on a single device, such as a tablet or smartphone, saving valuable space and weight. This convenience makes it possible for readers to have their entire library at their fingertips, whether they are commuting, traveling, or simply enjoying a lazy afternoon at home. Additionally, digital files are easily searchable, enabling readers to locate specific information within seconds. With a few keystrokes, users can search for keywords, topics, or phrases, making research and finding relevant information a breeze. This efficiency saves time and effort, streamlining the learning process and allowing individuals to focus on extracting the information they need. Furthermore, the availability of free PDF books and manuals fosters a culture of continuous learning. By removing financial barriers, more people can access educational resources and pursue lifelong learning, contributing to personal growth and professional development. This democratization of knowledge promotes intellectual curiosity and empowers individuals to become lifelong learners, promoting progress and innovation in various fields. It is worth noting that while accessing free Motor Speed Control Circuit Diagram PDF books and manuals is convenient and cost-effective, it is vital to respect copyright laws and intellectual property rights. Platforms offering free downloads often operate within legal



boundaries, ensuring that the materials they provide are either in the public domain or authorized for distribution. By adhering to copyright laws, users can enjoy the benefits of free access to knowledge while supporting the authors and publishers who make these resources available. In conclusion, the availability of Motor Speed Control Circuit Diagram free PDF books and manuals for download has revolutionized the way we access and consume knowledge. With just a few clicks, individuals can explore a vast collection of resources across different disciplines, all free of charge. This accessibility empowers individuals to become lifelong learners, contributing to personal growth, professional development, and the advancement of society as a whole. So why not unlock a world of knowledge today? Start exploring the vast sea of free PDF books and manuals waiting to be discovered right at your fingertips.

### FAQs About Motor Speed Control Circuit Diagram Books

**What is a Motor Speed Control Circuit Diagram PDF?** A PDF (Portable Document Format) is a file format developed by Adobe that preserves the layout and formatting of a document, regardless of the software, hardware, or operating system used to view or print it. **How do I create a Motor Speed Control Circuit Diagram PDF?** There are several ways to create a PDF: Use software like Adobe Acrobat, Microsoft Word, or Google Docs, which often have built-in PDF creation tools. Print to PDF: Many applications and operating systems have a "Print to PDF" option that allows you to save a document as a PDF file instead of printing it on paper. Online converters: There are various online tools that can convert different file types to PDF. **How do I edit a Motor Speed Control Circuit Diagram PDF?** Editing a PDF can be done with software like Adobe Acrobat, which allows direct editing of text, images, and other elements within the PDF. Some free tools, like PDFescape or Smallpdf, also offer basic editing capabilities. **How do I convert a Motor Speed Control Circuit Diagram PDF to another file format?** There are multiple ways to convert a PDF to another format: Use online converters like Smallpdf, Zamzar, or Adobe Acrobat's export feature to convert PDFs to formats like Word, Excel, JPEG, etc. Software like Adobe Acrobat, Microsoft Word, or other PDF editors may have options to export or save PDFs in different formats. **How do I password-protect a Motor Speed Control Circuit Diagram PDF?** Most PDF editing software allows you to add password protection. In Adobe Acrobat, for instance, you can go to "File" -> "Properties" -> "Security" to set a password to restrict access or editing capabilities. Are there any free alternatives to Adobe Acrobat for working with PDFs? Yes, there are many free alternatives for working with PDFs, such as: LibreOffice: Offers PDF editing features. PDFsam: Allows splitting, merging, and editing PDFs. Foxit Reader: Provides basic PDF viewing and editing capabilities. How do I compress a PDF file? You can use online tools like Smallpdf, ILovePDF, or desktop software like Adobe Acrobat to compress PDF files without significant quality loss. Compression reduces the file size, making it easier to share and download. Can I fill out forms in a

PDF file? Yes, most PDF viewers/editors like Adobe Acrobat, Preview (on Mac), or various online tools allow you to fill out forms in PDF files by selecting text fields and entering information. Are there any restrictions when working with PDFs? Some PDFs might have restrictions set by their creator, such as password protection, editing restrictions, or print restrictions. Breaking these restrictions might require specific software or tools, which may or may not be legal depending on the circumstances and local laws.

### **Find Motor Speed Control Circuit Diagram :**

**ib language b english past papers**

**ic3 gs4 key applications**

[ibbotson sbbi 2013 valuation yearbook](#)

[ibm thinkpad r51 user guide](#)

**icao airport services manual part 1**

*ibm was manual*

**ib study guide**

[icivics worksheet p2 answers](#)

*ibsen a portrait of the artist*

**icf c 120 service manual torrent**

[ibm thinkpad t40 manual](#)

*ice cream pint label template*

[ic3 living exam](#)

[ib math exam papers](#)

**ibm kenexa prove it excel test answers**

### **Motor Speed Control Circuit Diagram :**

**narnia lullaby the chronicles of narnia easy sheet music sheets** - Feb 11 2022

feb 2 2021 narnia lullaby the chronicles of narnia easy sheet music for piano keyboard flute violin sax cello suitable for beginners and intermediate musicians feel free to leave a comment if you liked this sheets for narnia lullaby the chronicles of narnia or if you think something is wrong with them and you know how to make them even better

[the high king and queen of narnia sheet music downloads at](#) - Mar 15 2022

print and download the high king and queen of narnia sheet music from the chronicles of narnia arranged for piano instrumental solo in a minor sku mn0095236

[free narnia sheet music sheetmusicfox com](#) - Apr 15 2022

if you cannot find the free narnia sheet music you are looking for try requesting it on the sheet music forum more sheet music the chronicles of narnia piano solo the voyage of the dawn treader by david arnold for piano keyboard piano solo songbook softcover 48 pages published by hal leonard

*chronicles of narnia the battle piano sheet music for piano* - Sep 01 2023

download and print in pdf or midi free sheet music for the battle theme by harry gregson williams arranged by seth bruno for piano solo chronicles of narnia the battle piano sheet music for piano solo musescore com

*narnia pianino free piano sheet music* - Jul 19 2022

quatre mains other instruments pop rock accompaniment contact link to the complete sheet music powered by create your own unique website with customizable templates get started pianino free piano sheet music

**the chronicles of narnia the battle epic piano solo leiki ueda** - May 17 2022

may 12 2015 the chronicles of narnia the battle epic piano solo leiki ueda leiki ueda 165k subscribers subscribe 3 7m views 8 years ago sheet music available

[the chronicles of narnia sheet music musicnotes com](#) - May 29 2023

download sheet music for the chronicles of narnia choose from the chronicles of narnia sheet music for such popular songs as the chronicles of narnia main theme the battle the chronicles of narnia the lion the witch and the wardrobe and the battle print instantly or sync to our free pc web and mobile apps

**the chronicles of narnia main theme sheet music** - Jan 25 2023

browse our 3 arrangements of the chronicles of narnia main theme sheet music is available for piano with 1 scoring in 3 genres find your perfect arrangement and access a variety of transpositions so you can print and play instantly anywhere the chronicles of narnia main theme patrik pietschmann instrumental solo

**patrik pietschmann the chronicles of narnia main theme sheet music** - Mar 27 2023

print and download the chronicles of narnia main theme sheet music by patrik pietschmann arranged for piano instrumental solo in c minor sku mn0194788

*the chronicles of narnia battle theme sheet music giant* - Aug 20 2022

the chronicles of narnia battle theme free downloadable sheet music free sheet music for amateur musicians and learners sheet music giant is a site for those who wants to access popular sheet music easily letting them download the sheet music for free for trial purposes

**the chronicles of narnia main theme piano version** - Dec 24 2022

mar 29 2019 the chronicles of narnia main theme piano version stream download lnk to e9y48j sheet music bit ly 2cglgf0  
learn piano with flowkey tinyurl com patrik

**the chronicles of narnia free downloadable sheet music** - Feb 23 2023

harry gregson williams the chronicles of narnia free downloadable sheet music free sheet music for amateur musicians and learners sheet music cc is a site for those who wants to access popular sheet music easily letting them download the

**narniafans com narnia soundtrack sheet music** - Nov 22 2022

music inspired by the chronicles of narnia the lion the witch and the wardrobe performed by various piano vocal chords  
songbook arrangements for piano and voice with guitar chords size 9x12 inches 90 pages

**a narnia lullaby from the chronicles of narnia sheet music piano** - Sep 20 2022

print and download a narnia lullaby sheet music from the chronicles of narnia arranged for piano instrumental solo in e minor  
transposable sku mn0057064

*narnia overture sheet music for piano solo musescore com* - Jun 29 2023

dec 17 2012 download and print in pdf or midi free sheet music for the chronicles of narnia osts by harry gregson williams  
arranged by zimmershore for piano solo

*the chronicles of narnia medley sheet music for piano solo* - Oct 02 2023

download and print in pdf or midi free sheet music for the chronicles of narnia a narnian lullaby by misc soundtrack arranged  
by askan for piano solo the chronicles of narnia medley sheet music for piano solo musescore com

**narnia the battle piano solo sheet music for piano solo** - Jul 31 2023

jun 28 2015 download and print in pdf or midi free sheet music for the chronicles of narnia a narnian lullaby by misc  
soundtrack arranged by elitatou for piano solo

**free the chronicles of narnia theme by misc soundtrack sheet music** - Apr 27 2023

the chronicles of narnia theme composition by misc soundtrack sheet music main info scores 4 filters difficulty level available  
only for piano scores beginner 1 score type user scores 4 ensemble solo 2 mixed ensembles 2 instruments brass 1 woodwinds  
3 strings plucked 1 strings bowed 2 keyboard 4 show all genre soundtrack 4 number of parts

**chronicles of narnia the battle piano sheet music library pdf** - Jun 17 2022

title chronicles of narnia the battle piano pdf author portÃ til created date 2 28 2020 2 48 34 pm

**a narnia lullaby sheet music for piano music notes** - Oct 22 2022

aug 23 2021 a narnia lullaby harry gregson williams the chronicles of narnia the lion the witch and the war easy piano  
official solo piano a narnia lullaby harry gregson williams the chronicles of narnia the lion the witch and the wardrobe movie

a narnia lullaby ragtime version solo piano

**too many tamales by gary soto goodreads** - May 02 2023

web jan 1 2001 too many tamales is the story of maria whois happy to be grown up and helping her mother and father make tamales for their christmas dinner celebration but she also is hoping to look even more grown up and wear her mother s diamond ring

*too many tamales by gary soto 9780698114128 penguin random house* - Feb 28 2023

web about too many tamales this modern classic celebrates the tradition of tamales and family bonding at christmas christmas eve started out so perfectly for maria snow had fallen and the streets glittered maria s favorite cousins were coming over and she got to help make the tamales for christmas dinner

**too many tamales read aloud youtube** - Sep 06 2023

web 9 3m views 8 months ago enjoy mr alicea s arcade of knowledge read aloud presentation of too many tamales written by gary soto illustrated by ed martinez and read by mr alicea

*too many tamales by gary soto learning through literature* - Sep 25 2022

web genres juvenile fiction picture books tags ages 3 5 ages 5 8 too many tamales maria tries on her mother s wedding ring while helping make tamales for a christmas family get together panic ensues when hours later she realizes the ring is missing *without preaching or pandering too many tamales celebrated* - Oct 27 2022

web dec 21 2021 too many tamales is also now a play and it will become a musical next year produced by two young women who licensed the story from soto city officials even recently told soto that there s going to be a too many tamales themed area of a fresno park the author remains pleasantly surprised by its popularity

**too many tamales gary soto google books** - Nov 27 2022

web aug 8 1996 this is the story of a treasure thought to be lost in a batch of tamales of a desperate and funny attempt by maria and her cousins to eat their way out of trouble and the warm way a family pulls together to make it a perfect christmas after all also available in spanish as qué montón de tamales

*read aloud too many tamales by gary soto stories with star* - Aug 25 2022

web oct 17 2022 read along with star as we learn about how this family makes tamales and why the kids eat them all too many tamales written by gary soto illustrated by ed martinez please support the authors

*too many tamales gary soto amazon com tr kitap* - Apr 01 2023

web arama yapmak istediğiniz kategoriye seçin

**too many tamales by gary soto and ed martinez youtube** - Jul 04 2023

web dec 6 2020 15k views 2 years ago today s read aloud is too many tamales by gary soto and ed martinez

**too many tamales by gary soto ed martinez paperback** - Mar 20 2022

web aug 8 1996 overview this modern classic celebrates the tradition of tamales and family bonding at christmas christmas eve started out so perfectly for maria snow had fallen and the streets glittered maria s favorite cousins were coming over and she got to help make the tamales for christmas dinner

[too many tamales by soto gary amazon com](#) - Apr 20 2022

web aug 8 1996 this modern classic celebrates the tradition of tamales and family bonding at christmas christmas eve started out so perfectly for maria snow had fallen and the streets glittered maria s favorite cousins were coming over and she got to help make the tamales for christmas dinner

**too many tamales reading comprehension lesson plans** - May 22 2022

web dec 28 2019 too many tamales lesson plans our engaging readers unit for too many tamales includes reading lesson plans and resources for a full week each lesson includes differentiated reading responses to fit the needs of students from kindergarten through second grade start the week by making predictions about the story

[too many tamales 2007 youtube](#) - Jun 03 2023

web sep 23 2023 come and celebrate too many tamales a great christmas tradition shows available in english and spanish

[books by gary soto author of too many tamales goodreads](#) - Dec 29 2022

web gary soto has 126 books on goodreads with 48053 ratings gary soto s most popular book is too many tamales

[too many tamales read aloud by ms torres youtube](#) - Aug 05 2023

web may 10 2020 too many tamales by ed martinez and gary soto

*too many tamales read aloud youtube* - Oct 07 2023

web dec 11 2020 maria tries on her mother s wedding ring while helping make tamales for a christmas family get together but panic ensues when hours later she realizes the ring is missing read by dawn parks

**scholastic s too many tamales español youtube** - Jun 22 2022

web dec 19 2017 scholastic s classic story too many tamales read in spanish subscribe for more everyone is coming for christmas dinner at maria s house

**too many tamales youtube** - Jul 24 2022

web maria finds herself in a panic after her mother s wedding ring disappears during a christmas family get together written by gary soto illustrated by ed mar

**too many tamales e kitap gary soto epub rakuten kobo** - Jan 30 2023

web rakuten kobo dan gary soto tarafından too many tamales kitabını okuyun this modern classic celebrates the tradition of tamales and family bonding at christmas christmas eve started out so pe

**this adapted literature resource is available through the** - Feb 16 2022

web adapted from the original text too many tamales written by gary soto and ed martinez

**hmh journeys the curriculum store** - Apr 30 2022

web modern curriculum press 3rd grade mcp plaid phonics level c student book 14 50 13 25 with journeys readers are empowered by skill mastery inspired by authentic award winning text and confident that they are building the skills needed for

*results for houghton mifflin journeys grade 3 unit 1 tpt* - Sep 04 2022

web these word cards can be used to practice making words with your students when teaching the phonics skills on days 1 3 in the first grade houghton mifflin journeys reading series included in this packet are pages with letter cards for each lesson as well as a page with suggested words they can build for lessons 6 10

**houghton mifflin harcourt grade 3 worksheets k12 workbook** - Apr 11 2023

web houghton mifflin harcourt grade 3 displaying all worksheets related to houghton mifflin harcourt grade 3 worksheets are houghton mifflin harcourt journeys grade 3 common core journeys reader s notebook volume 1 grade 3 by houghton houghton mifflin workbook plus grade 3 answers houghton mifflin reading additional spelling

amazon com houghton mifflin grade 3 reading - Feb 26 2022

web may 1 2013 1 16 of over 3 000 results for houghton mifflin grade 3 reading results common core student edition volume 3 grade 1 2014 houghton mifflin harcourt journeys

journeys common core student edition volume 1 grade 3 - Jan 08 2023

web order journeys common core student edition volume 1 grade 3 isbn 9780547885490 hmh buy journeys common core student edition volume 1 grade 3 isbn 9780547885490 from houghton mifflin harcourt shop now

**houghton mifflin harcourt journeys grade 3 archive org** - Jun 13 2023

web houghton mifflin harcourt journeys grade 3 publication date 2011 topics language arts elementary language arts textbooks reading elementary reading textbooks reading comprehension study and teaching elementary reading comprehension textbooks language arts reading reading comprehension publisher

**houghton mifflin harcourt journeys common core** - Feb 09 2023

web grade 3 student text 2 vol teacher s edition 6 vol benchmark and unit tests teacher ed benchmark and unit tests reader s notebook 2 vol reader s notebook teacher ed write in reader cold reads writing handbook reading adventures

**journey s resources sweet home school district** - Jul 14 2023

web 3rd grade student ebook 3rd grade lesson 16 3rd grade lesson 17 3rd grade lesson 18 part 1 3rd grade lesson 18 part 2 3rd grade lesson 19 3rd grade lesson 20 3rd grade lesson 21 3rd grade lesson 22 3rd grade lesson 23 3rd grade lesson 24

3rd grade lesson 25 3rd grade glossary leveled readers lesson15 3 lesson16 3

**journeys reading program houghton mifflin harcourt** - Aug 15 2023

web journeys is a comprehensive k 6 english language arts program it provides an instructional system for reading both literature and informational texts for acquiring foundational reading skills and for developing mastery of speaking listening and writing meets new essa evidence standards promotes deep analysis of authentic texts

**amazon com journeys workbook grade 3** - May 12 2023

web houghton mifflin harcourt journeys common core reader s notebook consumable volume 2 grade 3 houghton mifflin harcourt journeys by houghton mifflin harcourt dec 31 2012 4 6 4 6 out of 5 stars 52

**houghton mifflin journeys grade 3 teaching resources tpt** - Nov 06 2022

web browse houghton mifflin journeys grade 3 resources on teachers pay teachers a marketplace trusted by millions of teachers for original educational resources browse catalog grade level

journeys grade 3 practice book volume 1 consumable houghton mifflin - Mar 10 2023

web sep 14 2009 journeys grade 3 practice book volume 1 consumable houghton mifflin journeys hmr journeys medallions portals 2010 12 houghton mifflin 9780547246383 amazon com books books

**houghton mifflin grade 3 worksheets k12 workbook** - Jul 02 2022

web displaying all worksheets related to houghton mifflin grade 3 worksheets are houghton mifflin social studies grade 3 work houghton mifflin social studies communities grade 3 grade 3 workbook social study answer key houghton mifflin math grade 3 practice workbook houghton mifflin harcourt elnish language arts and

journeys houghton mifflin teaching resources tpt - Jun 01 2022

web this assessment or worksheet can be used to help review or assess the vocabulary from the week s story found in the journeys edition from the houghton mifflin harcourt series students are required to match all ten vocabulary words with the definition

**houghton mifflin harcourt journeys grade 3 worldcat org** - Oct 05 2022

web target audience grade 3 physical description 2 student ed volumes various pagings color illustrations 29 cm 1 reader ra1 ra75 80 pages color illustrations 28 cm isbn

*houghton mifflin harcourt journeys worksheets k12 workbook* - Jan 28 2022

web displaying all worksheets related to houghton mifflin harcourt journeys worksheets are houghton mifflin harcourt journeys 2017 grade 3 correlated to the common core state standards english houghton mifflin harcourt journeys common core 2014 and houghton mifflin reading additional spelling words grade 4 grade 2 lesson 10 grade 2

**journeys and houghton mifflin 3rd grade workbook university** - Dec 27 2021



web go math is the first k 6 math program written to align with the common core with go math you will hit the ground running and have everything you need to teach the common core state standards go math combines fresh teaching approaches with everything needed to address the rigors of the common core standards

*journeys unit 3 grade 3 teacher s edition amazon com* - Mar 30 2022

web sep 14 2009 amazon com journeys unit 3 grade 3 teacher s edition 9780547251707 houghton mifflin books  
*reader s notebook volume 1 grade 3 journeys houghton mifflin* - Aug 03 2022

web jan 1 2016 journeys reader s notebook volume 1 grade 3 by houghton mifflin harcourt paperback houghton mifflin school 2016 isbn13 9780544592636 isbn10 0544592638 bxe 20 isbn 10

*student edition volume 1 grade 3 2017 journeys houghton mifflin* - Dec 07 2022

web jan 1 2016 student edition volume 1 grade 3 2017 journeys houghton mifflin harcourt on amazon com free shipping on qualifying offers student edition volume 1 grade 3 2017 journeys