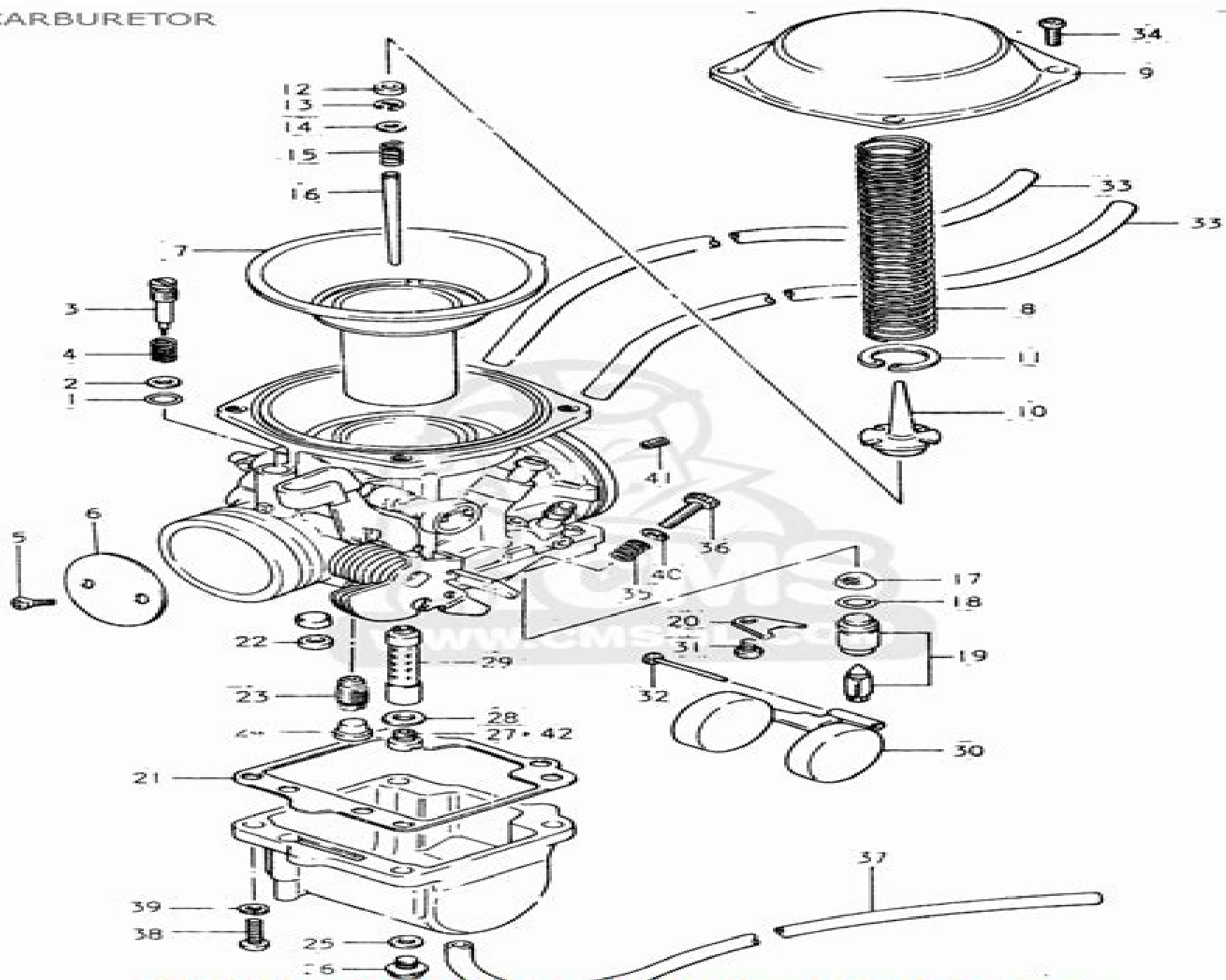


CARBURETOR



Get these parts at www.cmsnl.com !

Mikuni Bs34 Carburetor Manual

John Haynes



Mikuni Bs34 Carburetor Manual:

Mikuni Carburetor and Parts Manual Sudco International Corporation,198? **Mikuni Carburetor and Parts Manual** Sudco International,1982 Motorcycle Carburettor Manual Pete Shoemark,1980 Haynes Motorcycle Carburettor Manual Pete Shoemark Provides sound knowledge of the principles of carburetor function and details the practical aspects of tuning and correcting maladjustments Completely covers overhaul and tuning of slide constant velocity and fixed jet carbs Covers Mukuni Keihin Amal Bendix and SU types Pub 1981 Sftbd 8 1 4x 1 3 4 117 pgs 237 ill **A Manual of Motor Mechanics and High Efficiency Tuning ...** L. Mantell,1918 **Weber Carburetor Manual** John Haynes,1996-02-19 This series of comprehensive manuals gives the home mechanic an in depth look at specific areas of auto repair Olav Aaen's Carb Tuning Handbook Olav Aaen,2005 *Suzuki Service Manual Carburetor and Carburetion* Suzuki Jidōsha Kōgyō Kabushiki Kaisha,1973 *Su Carburettors Owners Workshop Manual* Don Peers,1986 **Automobile Carburetor Manual** C. R. Strouse,2009-12 This manual first issued in 1952 was for long time a must have for those who dealt with automobile carburetors It covers all kinds and types of carburettors such as Carter Stromberg Tillotson Rochester Zenith Holley and Four Barrel Carburetors The book comes with complete technical drawings a trouble shooting directory and all adjustments Dieses Handbuch erstmals 1952 erschienen war f r lange Zeit das Standartwerk f r alle die mit Vergasertechnik zu tun hatten Es behandelt alle Arten und Typen von Vergasern wie Carter Stromberg Tillotson Rochester Zenith Holley und Vierfach Vergasern Das Buch enth lt alle technischen Detailzeichnungen eine Fehlersuchtable und alle Einstelldaten Mazda Carburetor Training Manual ,1980 *Weber Carburettors Owners Workshop Manual* John Harold Haynes,Haynes Publishing PLC,A. K. Legg,1986 *Carburetor* Carter Carburetor Corporation,1939 *Motor Tune-up and Carburetor Service Instructions* Carter Carburetor Corporation,1946 The SU Carburettor High Performance Manual Des Hammill,2017 Did you know that SUs can give almost as much performance as Webers Dellortos Here s an expert guide to building and modifying SU carburettors to suit high performance applications Includes re profiling needles and how to jet SUs for almost any application *Carburetor, 100% Tested* Carter Carburetor Corporation,1932 *Japanese Vehicle Carburettors Manual* Charles White,1992 **Sales and service manual** Carter Carburetor Corporation,1933 *Rochester Carburetor Parts and Service Manual* Delco Rochester,1968* Carburetor Training Manual American Parts Company,1972
Carburetor Circuit and Service Manuals ACF Industries. Carter Carburetor Division,1972

Yeah, reviewing a book **Mikuni Bs34 Carburetor Manual** could increase your close friends listings. This is just one of the solutions for you to be successful. As understood, achievement does not suggest that you have fantastic points.

Comprehending as skillfully as conformity even more than new will allow each success. next-door to, the notice as capably as perception of this Mikuni Bs34 Carburetor Manual can be taken as with ease as picked to act.

<https://splashdogs.com/data/book-search/fetch.php/John%20Deere%204045d%20Service%20Manual.pdf>

Table of Contents Mikuni Bs34 Carburetor Manual

1. Understanding the eBook Mikuni Bs34 Carburetor Manual
 - The Rise of Digital Reading Mikuni Bs34 Carburetor Manual
 - Advantages of eBooks Over Traditional Books
2. Identifying Mikuni Bs34 Carburetor Manual
 - Exploring Different Genres
 - Considering Fiction vs. Non-Fiction
 - Determining Your Reading Goals
3. Choosing the Right eBook Platform
 - Popular eBook Platforms
 - Features to Look for in an Mikuni Bs34 Carburetor Manual
 - User-Friendly Interface
4. Exploring eBook Recommendations from Mikuni Bs34 Carburetor Manual
 - Personalized Recommendations
 - Mikuni Bs34 Carburetor Manual User Reviews and Ratings
 - Mikuni Bs34 Carburetor Manual and Bestseller Lists
5. Accessing Mikuni Bs34 Carburetor Manual Free and Paid eBooks
 - Mikuni Bs34 Carburetor Manual Public Domain eBooks
 - Mikuni Bs34 Carburetor Manual eBook Subscription Services

- Mikuni Bs34 Carburetor Manual Budget-Friendly Options
- 6. Navigating Mikuni Bs34 Carburetor Manual eBook Formats
 - ePub, PDF, MOBI, and More
 - Mikuni Bs34 Carburetor Manual Compatibility with Devices
 - Mikuni Bs34 Carburetor Manual Enhanced eBook Features
- 7. Enhancing Your Reading Experience
 - Adjustable Fonts and Text Sizes of Mikuni Bs34 Carburetor Manual
 - Highlighting and Note-Taking Mikuni Bs34 Carburetor Manual
 - Interactive Elements Mikuni Bs34 Carburetor Manual
- 8. Staying Engaged with Mikuni Bs34 Carburetor Manual
 - Joining Online Reading Communities
 - Participating in Virtual Book Clubs
 - Following Authors and Publishers Mikuni Bs34 Carburetor Manual
- 9. Balancing eBooks and Physical Books Mikuni Bs34 Carburetor Manual
 - Benefits of a Digital Library
 - Creating a Diverse Reading Collection Mikuni Bs34 Carburetor Manual
- 10. Overcoming Reading Challenges
 - Dealing with Digital Eye Strain
 - Minimizing Distractions
 - Managing Screen Time
- 11. Cultivating a Reading Routine Mikuni Bs34 Carburetor Manual
 - Setting Reading Goals Mikuni Bs34 Carburetor Manual
 - Carving Out Dedicated Reading Time
- 12. Sourcing Reliable Information of Mikuni Bs34 Carburetor Manual
 - Fact-Checking eBook Content of Mikuni Bs34 Carburetor Manual
 - Distinguishing Credible Sources
- 13. Promoting Lifelong Learning
 - Utilizing eBooks for Skill Development
 - Exploring Educational eBooks
- 14. Embracing eBook Trends

- Integration of Multimedia Elements
- Interactive and Gamified eBooks

Mikuni Bs34 Carburetor Manual Introduction

In this digital age, the convenience of accessing information at our fingertips has become a necessity. Whether its research papers, eBooks, or user manuals, PDF files have become the preferred format for sharing and reading documents. However, the cost associated with purchasing PDF files can sometimes be a barrier for many individuals and organizations. Thankfully, there are numerous websites and platforms that allow users to download free PDF files legally. In this article, we will explore some of the best platforms to download free PDFs. One of the most popular platforms to download free PDF files is Project Gutenberg. This online library offers over 60,000 free eBooks that are in the public domain. From classic literature to historical documents, Project Gutenberg provides a wide range of PDF files that can be downloaded and enjoyed on various devices. The website is user-friendly and allows users to search for specific titles or browse through different categories. Another reliable platform for downloading Mikuni Bs34 Carburetor Manual free PDF files is Open Library. With its vast collection of over 1 million eBooks, Open Library has something for every reader. The website offers a seamless experience by providing options to borrow or download PDF files. Users simply need to create a free account to access this treasure trove of knowledge. Open Library also allows users to contribute by uploading and sharing their own PDF files, making it a collaborative platform for book enthusiasts. For those interested in academic resources, there are websites dedicated to providing free PDFs of research papers and scientific articles. One such website is Academia.edu, which allows researchers and scholars to share their work with a global audience. Users can download PDF files of research papers, theses, and dissertations covering a wide range of subjects. Academia.edu also provides a platform for discussions and networking within the academic community. When it comes to downloading Mikuni Bs34 Carburetor Manual free PDF files of magazines, brochures, and catalogs, Issuu is a popular choice. This digital publishing platform hosts a vast collection of publications from around the world. Users can search for specific titles or explore various categories and genres. Issuu offers a seamless reading experience with its user-friendly interface and allows users to download PDF files for offline reading. Apart from dedicated platforms, search engines also play a crucial role in finding free PDF files. Google, for instance, has an advanced search feature that allows users to filter results by file type. By specifying the file type as "PDF," users can find websites that offer free PDF downloads on a specific topic. While downloading Mikuni Bs34 Carburetor Manual free PDF files is convenient, its important to note that copyright laws must be respected. Always ensure that the PDF files you download are legally available for free. Many authors and publishers voluntarily provide free PDF versions of their work, but its essential to be cautious and verify the authenticity of the source before downloading Mikuni Bs34 Carburetor Manual. In conclusion, the

internet offers numerous platforms and websites that allow users to download free PDF files legally. Whether its classic literature, research papers, or magazines, there is something for everyone. The platforms mentioned in this article, such as Project Gutenberg, Open Library, Academia.edu, and Issuu, provide access to a vast collection of PDF files. However, users should always be cautious and verify the legality of the source before downloading Mikuni Bs34 Carburetor Manual any PDF files. With these platforms, the world of PDF downloads is just a click away.

FAQs About Mikuni Bs34 Carburetor Manual Books

What is a Mikuni Bs34 Carburetor Manual PDF? A PDF (Portable Document Format) is a file format developed by Adobe that preserves the layout and formatting of a document, regardless of the software, hardware, or operating system used to view or print it. **How do I create a Mikuni Bs34 Carburetor Manual PDF?** There are several ways to create a PDF: Use software like Adobe Acrobat, Microsoft Word, or Google Docs, which often have built-in PDF creation tools. Print to PDF: Many applications and operating systems have a "Print to PDF" option that allows you to save a document as a PDF file instead of printing it on paper. Online converters: There are various online tools that can convert different file types to PDF. **How do I edit a Mikuni Bs34 Carburetor Manual PDF?** Editing a PDF can be done with software like Adobe Acrobat, which allows direct editing of text, images, and other elements within the PDF. Some free tools, like PDFescape or Smallpdf, also offer basic editing capabilities. **How do I convert a Mikuni Bs34 Carburetor Manual PDF to another file format?** There are multiple ways to convert a PDF to another format: Use online converters like Smallpdf, Zamzar, or Adobe Acrobats export feature to convert PDFs to formats like Word, Excel, JPEG, etc. Software like Adobe Acrobat, Microsoft Word, or other PDF editors may have options to export or save PDFs in different formats. **How do I password-protect a Mikuni Bs34 Carburetor Manual PDF?** Most PDF editing software allows you to add password protection. In Adobe Acrobat, for instance, you can go to "File" -> "Properties" -> "Security" to set a password to restrict access or editing capabilities. Are there any free alternatives to Adobe Acrobat for working with PDFs? Yes, there are many free alternatives for working with PDFs, such as: LibreOffice: Offers PDF editing features. PDFsam: Allows splitting, merging, and editing PDFs. Foxit Reader: Provides basic PDF viewing and editing capabilities. How do I compress a PDF file? You can use online tools like Smallpdf, ILovePDF, or desktop software like Adobe Acrobat to compress PDF files without significant quality loss. Compression reduces the file size, making it easier to share and download. Can I fill out forms in a PDF file? Yes, most PDF viewers/editors like Adobe Acrobat, Preview (on Mac), or various online tools allow you to fill out forms in PDF files by selecting text fields and entering information. Are there any restrictions when working with PDFs? Some PDFs might have restrictions set by their creator, such as password protection, editing restrictions, or print restrictions. Breaking these restrictions might

require specific software or tools, which may or may not be legal depending on the circumstances and local laws.

Find Mikuni Bs34 Carburetor Manual :

john deere 4045d service manual

[jocelyns story cassandra clare](#)

john deere 1420 front mower service manual

john deere 2141 manual

john deere 6164106110l 6510l 6310s 6510s technical manual tm4574

john deere 1326 rotary mower repair manual

john deere 310j backhoe parts manual

john deere 2130 manual

[john deere 135c rts parts manual](#)

john deere 6110 repair manual

john deere 1175 parts manual

john deere 5225 service manual

john deere 450 parts manual

jlpt npast papers

[john deere 550g transmission manual](#)

Mikuni Bs34 Carburetor Manual :

Free Restaurant SOP Template - Safety Culture Aug 15, 2023 — A restaurant SOP template specifically allows employees to know what their duties are directly by presenting them in a clear and concise manner. Standard Operating Procedure Forms These are templates for new and existing businesses to document their standard operating procedures for the Health Department and DATCP. How Restaurant SOPs Improve Consistency and Your ... This template will help you create SOPs for your entire business, so you can create consistency and easily train employees. Get free download. Get free download. Restaurants SOP Template Get Started with ClickUp's Restaurants SOP Template · Create tasks for each standard operating procedure, such as opening and closing checklists, food safety ... 30+ Editable Standard Operating Procedures ... 30+ Editable Standard Operating Procedures (SOPs) Templates - Besty Templates. For an organisation to operate effectively and professionally, some rules and ... The Beginner's Guide to Restaurant Standard ... Oct 14, 2022 — Restaurant standard

operating procedures (SOPs) are written lists of rules, standards, and norms that describe how to complete routine tasks ...

10 Free SOP Templates and How to Write Your Own Dec 12, 2023 — There's no better way to organize and visualize restaurant SOPs than through this Restaurant SOP template by ClickUp. This customizable SOP ... Free SOP template + how to write a standard operating ... Aug 29, 2023 — Our SOP template guide describes how to write your standard operating procedure documentation, and offers a free SOP to get started with. FREE Restaurant Operation Template Stay on Top of Your Work as Restaurant Manager With Template.net's Free Restaurant Operation Templates, Schedule Plans, Budget Manager Reports, ... Marketing Principles Asia Pacific 2nd Edition Pride Test Bank Jan 1, 2020 — TOP: What is qualitative research? 6. Qualitative research can help to diagnose the dimensions of a marketing problem. ANS: T. PTS: 1. Essentials of services marketing 2nd edition wirtz test bank Essays for Marketing essentials of services marketing 2nd edition wirtz test bank full download: test bank chapter page. ... Asia Pte Ltd 2013. where needs are ... Social Media Marketing 2nd Edition Tuten Test Bank Mar 12, 2023 — SOCIAL MEDIA MARKETING. Chapter 2 Strategic Planning with Social Media. Multiple Choice Questions. 1) The process of identifying which ... Services Marketing in Asia, Second Edition This is an ex-library book and may have the usual library/used-book markings inside. This book has soft covers. In good all round condition. Book Write-Up - y0024 Services Marketing: People, Technology, Strategy is the ninth edition of the ... Test Bank. Please contact sales@wspc.com. Key Features: Full-color visual ... pdf-essentials-of-services-marketing-2nd-edition-wirtz-test ... Essentials of Services Marketing 2nd Edition Wirtz Essentials of Services Marketing 2nd Edition Wirtz TEST BANK TEST BANK Full download at: Full download at: ... Services Marketing: People, Technology, Strategy ... Asia), added further cultural diversity and brought the EU market closer to ... second, per 6-second block, or even per-minute block, resulting in vastly ... Test Bank Solutions Manual For International Marketing ... Test Bank, Solutions Manual, ebook, CONNECT Assignments and Learn Smart Quizzes for International Marketing 18th Edition By Philip Cateora • ISBN10: ... Economic Issues 1 -- Growth in East Asia Everyone agrees that the economies of East Asia, and particularly the Four Tigers, have grown spectacularly over the past generation, but nobody seems to agree ... Management by Stephen P. Robbins, Mary Coulter 11th ... Management by Stephen P. Robbins, Mary Coulter 11th edition (2010) Hardcover ; Arrives after Christmas. Need a gift sooner? Send an Amazon Gift Card instantly by ... Management Eleventh Edition (Eleventh Edition) - Books Robbins and Coulter's best-selling text demonstrates the real-world applications of management concepts and makes management come alive by bringing real ... Management - Stephen P. Robbins, Mary K. Coulter Bibliographic information ; Edition, 11, illustrated ; Publisher, Pearson, 2012 ; ISBN, 0273752774, 9780273752776 ; Length, 671 pages. Management - Global 11th Edition by Stephen P. Robbins Stephen P. Robbins; Mary Coulter ; Title: Management - Global 11th Edition ; Publisher: Pearson Education Limited ; Publication Date: 2012 ; Binding: Soft cover. Robbins, Fundamentals of Management, Global Edition, 11/e Sep 17, 2019 — The 11th Edition maintains a focus on learning and applying management theories, while now also highlighting opportunities

to develop the skills ... Management | WorldCat.org Management ; Authors: Stephen P. Robbins, Mary K. Coulter ; Edition: 11th ed View all formats and editions ; Publisher: Prentice Hall, Boston, ©2012. Management - Stephen P. Robbins And Mary Coulter Management - Global 11th Edition. Stephen P. Robbins; Mary Coulter. Published by Pearson Education Limited (2012). ISBN 10: 0273752774 ISBN 13: 9780273752776. Management by Stephen P. Robbins; Mary Coulter ... Description: 11th Edition, 2011-02-06. Eleventh Edition. Hardcover. Very Good. 10x8x1. Pages are clean. Book Leaves in 1 Business Day or Less! Leaves Same Day ... Fundamentals of Management Fundamentals of Management, 11th edition. Published by Pearson (September 14, 2020) © 2020. Mary A. Coulter; David A. DeCenzo Coastal Carolina University. Fundamentals of Management 11th edition 9780135641033 Fundamentals of Management 11th Edition is written by Stephen P. Robbins; Mary A. Coulter; David A. De Cenzo and published by Pearson.