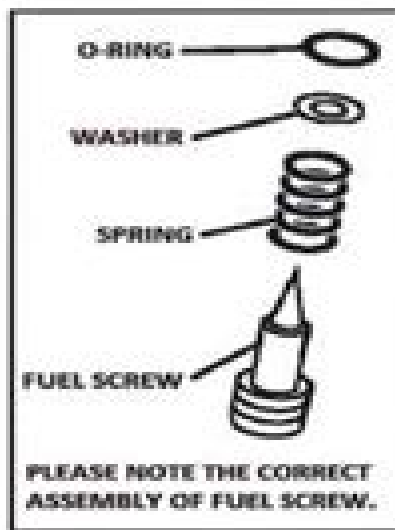
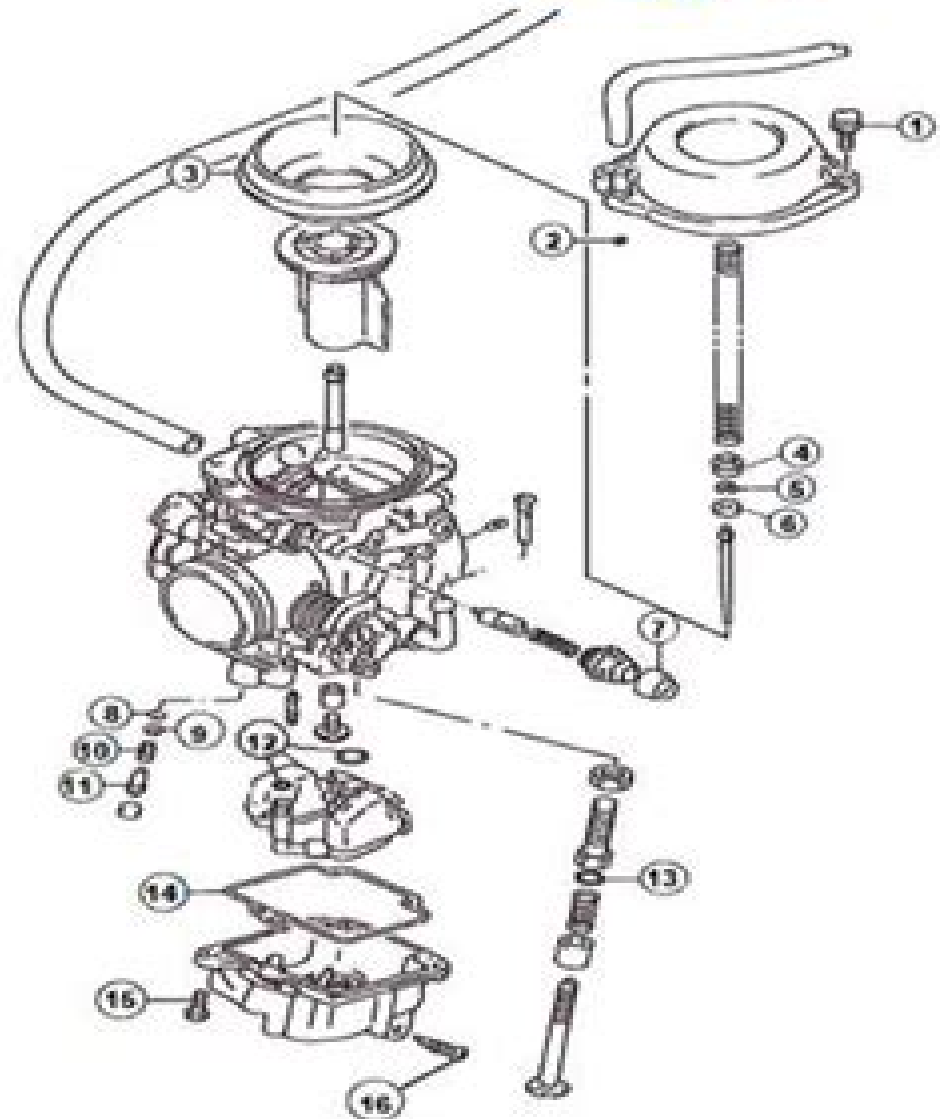


ITEM	QTY	DESCRIPTION
1	2	SCREW (TOP CAP)
2	1	O-RING
3	1	DIAPHRAGM
4	1	RING
5	1	E-RING
6	1	RING
7	1	CAP
8	1	O-RING
9	1	WASHER
10	1	SPRING
11	1	FUEL SCREW
12	1	FLOAT VALVE ASSY
13	1	WASHER
14	1	SEAL (BOWL)
15	2	SCREW
16	1	SCREW

MK-BST40-233

Suzuki Application:
1996-2017 DR 650 SE



Mikuni Bst 33 Manual

Rachel S Tattersall



Mikuni Bst 33 Manual:

If you ally dependence such a referred **Mikuni Bst 33 Manual** book that will give you worth, acquire the entirely best seller from us currently from several preferred authors. If you desire to funny books, lots of novels, tale, jokes, and more fictions collections are with launched, from best seller to one of the most current released.

You may not be perplexed to enjoy every book collections Mikuni Bst 33 Manual that we will completely offer. It is not on the order of the costs. Its nearly what you craving currently. This Mikuni Bst 33 Manual, as one of the most enthusiastic sellers here will very be accompanied by the best options to review.

https://splashdogs.com/results/virtual-library/HomePages/installation_and_upgrade_guide_for_cisco_unified_customer_voice_portal.pdf

Table of Contents Mikuni Bst 33 Manual

1. Understanding the eBook Mikuni Bst 33 Manual
 - The Rise of Digital Reading Mikuni Bst 33 Manual
 - Advantages of eBooks Over Traditional Books
2. Identifying Mikuni Bst 33 Manual
 - Exploring Different Genres
 - Considering Fiction vs. Non-Fiction
 - Determining Your Reading Goals
3. Choosing the Right eBook Platform
 - Popular eBook Platforms
 - Features to Look for in an Mikuni Bst 33 Manual
 - User-Friendly Interface
4. Exploring eBook Recommendations from Mikuni Bst 33 Manual
 - Personalized Recommendations
 - Mikuni Bst 33 Manual User Reviews and Ratings
 - Mikuni Bst 33 Manual and Bestseller Lists

5. Accessing Mikuni Bst 33 Manual Free and Paid eBooks
 - Mikuni Bst 33 Manual Public Domain eBooks
 - Mikuni Bst 33 Manual eBook Subscription Services
 - Mikuni Bst 33 Manual Budget-Friendly Options
6. Navigating Mikuni Bst 33 Manual eBook Formats
 - ePub, PDF, MOBI, and More
 - Mikuni Bst 33 Manual Compatibility with Devices
 - Mikuni Bst 33 Manual Enhanced eBook Features
7. Enhancing Your Reading Experience
 - Adjustable Fonts and Text Sizes of Mikuni Bst 33 Manual
 - Highlighting and Note-Taking Mikuni Bst 33 Manual
 - Interactive Elements Mikuni Bst 33 Manual
8. Staying Engaged with Mikuni Bst 33 Manual
 - Joining Online Reading Communities
 - Participating in Virtual Book Clubs
 - Following Authors and Publishers Mikuni Bst 33 Manual
9. Balancing eBooks and Physical Books Mikuni Bst 33 Manual
 - Benefits of a Digital Library
 - Creating a Diverse Reading Collection Mikuni Bst 33 Manual
10. Overcoming Reading Challenges
 - Dealing with Digital Eye Strain
 - Minimizing Distractions
 - Managing Screen Time
11. Cultivating a Reading Routine Mikuni Bst 33 Manual
 - Setting Reading Goals Mikuni Bst 33 Manual
 - Carving Out Dedicated Reading Time
12. Sourcing Reliable Information of Mikuni Bst 33 Manual
 - Fact-Checking eBook Content of Mikuni Bst 33 Manual
 - Distinguishing Credible Sources
13. Promoting Lifelong Learning

- Utilizing eBooks for Skill Development
 - Exploring Educational eBooks
14. Embracing eBook Trends
- Integration of Multimedia Elements
 - Interactive and Gamified eBooks

Mikuni Bst 33 Manual Introduction

In today's digital age, the availability of Mikuni Bst 33 Manual books and manuals for download has revolutionized the way we access information. Gone are the days of physically flipping through pages and carrying heavy textbooks or manuals. With just a few clicks, we can now access a wealth of knowledge from the comfort of our own homes or on the go. This article will explore the advantages of Mikuni Bst 33 Manual books and manuals for download, along with some popular platforms that offer these resources. One of the significant advantages of Mikuni Bst 33 Manual books and manuals for download is the cost-saving aspect. Traditional books and manuals can be costly, especially if you need to purchase several of them for educational or professional purposes. By accessing Mikuni Bst 33 Manual versions, you eliminate the need to spend money on physical copies. This not only saves you money but also reduces the environmental impact associated with book production and transportation. Furthermore, Mikuni Bst 33 Manual books and manuals for download are incredibly convenient. With just a computer or smartphone and an internet connection, you can access a vast library of resources on any subject imaginable. Whether you're a student looking for textbooks, a professional seeking industry-specific manuals, or someone interested in self-improvement, these digital resources provide an efficient and accessible means of acquiring knowledge. Moreover, PDF books and manuals offer a range of benefits compared to other digital formats. PDF files are designed to retain their formatting regardless of the device used to open them. This ensures that the content appears exactly as intended by the author, with no loss of formatting or missing graphics. Additionally, PDF files can be easily annotated, bookmarked, and searched for specific terms, making them highly practical for studying or referencing. When it comes to accessing Mikuni Bst 33 Manual books and manuals, several platforms offer an extensive collection of resources. One such platform is Project Gutenberg, a nonprofit organization that provides over 60,000 free eBooks. These books are primarily in the public domain, meaning they can be freely distributed and downloaded. Project Gutenberg offers a wide range of classic literature, making it an excellent resource for literature enthusiasts. Another popular platform for Mikuni Bst 33 Manual books and manuals is Open Library. Open Library is an initiative of the Internet Archive, a non-profit organization dedicated to digitizing cultural artifacts and making them accessible to the public. Open Library hosts millions of books, including both public domain works and contemporary titles. It also allows users to borrow digital copies of certain books for a limited

period, similar to a library lending system. Additionally, many universities and educational institutions have their own digital libraries that provide free access to PDF books and manuals. These libraries often offer academic texts, research papers, and technical manuals, making them invaluable resources for students and researchers. Some notable examples include MIT OpenCourseWare, which offers free access to course materials from the Massachusetts Institute of Technology, and the Digital Public Library of America, which provides a vast collection of digitized books and historical documents. In conclusion, Mikuni Bst 33 Manual books and manuals for download have transformed the way we access information. They provide a cost-effective and convenient means of acquiring knowledge, offering the ability to access a vast library of resources at our fingertips. With platforms like Project Gutenberg, Open Library, and various digital libraries offered by educational institutions, we have access to an ever-expanding collection of books and manuals. Whether for educational, professional, or personal purposes, these digital resources serve as valuable tools for continuous learning and self-improvement. So why not take advantage of the vast world of Mikuni Bst 33 Manual books and manuals for download and embark on your journey of knowledge?

FAQs About Mikuni Bst 33 Manual Books

1. Where can I buy Mikuni Bst 33 Manual books? Bookstores: Physical bookstores like Barnes & Noble, Waterstones, and independent local stores. Online Retailers: Amazon, Book Depository, and various online bookstores offer a wide range of books in physical and digital formats.
2. What are the different book formats available? Hardcover: Sturdy and durable, usually more expensive. Paperback: Cheaper, lighter, and more portable than hardcovers. E-books: Digital books available for e-readers like Kindle or software like Apple Books, Kindle, and Google Play Books.
3. How do I choose a Mikuni Bst 33 Manual book to read? Genres: Consider the genre you enjoy (fiction, non-fiction, mystery, sci-fi, etc.). Recommendations: Ask friends, join book clubs, or explore online reviews and recommendations. Author: If you like a particular author, you might enjoy more of their work.
4. How do I take care of Mikuni Bst 33 Manual books? Storage: Keep them away from direct sunlight and in a dry environment. Handling: Avoid folding pages, use bookmarks, and handle them with clean hands. Cleaning: Gently dust the covers and pages occasionally.
5. Can I borrow books without buying them? Public Libraries: Local libraries offer a wide range of books for borrowing. Book Swaps: Community book exchanges or online platforms where people exchange books.

6. How can I track my reading progress or manage my book collection? Book Tracking Apps: Goodreads, LibraryThing, and Book Catalogue are popular apps for tracking your reading progress and managing book collections. Spreadsheets: You can create your own spreadsheet to track books read, ratings, and other details.
7. What are Mikuni Bst 33 Manual audiobooks, and where can I find them? Audiobooks: Audio recordings of books, perfect for listening while commuting or multitasking. Platforms: Audible, LibriVox, and Google Play Books offer a wide selection of audiobooks.
8. How do I support authors or the book industry? Buy Books: Purchase books from authors or independent bookstores. Reviews: Leave reviews on platforms like Goodreads or Amazon. Promotion: Share your favorite books on social media or recommend them to friends.
9. Are there book clubs or reading communities I can join? Local Clubs: Check for local book clubs in libraries or community centers. Online Communities: Platforms like Goodreads have virtual book clubs and discussion groups.
10. Can I read Mikuni Bst 33 Manual books for free? Public Domain Books: Many classic books are available for free as they're in the public domain. Free E-books: Some websites offer free e-books legally, like Project Gutenberg or Open Library.

Find Mikuni Bst 33 Manual :

[installation and upgrade guide for cisco unified customer voice portal](#)

[ingersoll rand hu40 manual](#)

[insert book title here faculty website index valencia](#)

[inovonics user manual](#)

[insight through computing introduction computational](#)

[insignia mp3 manual](#)

[inheritance gizmo warm up answers explore learning](#)

insignia digital picture frame manual

ingersoll rand g85 manual

[instant chef starter john ewart](#)

inspectors field manual

inherited traits vs learned behaviors activity

insignia 19 tv manual

installation manual acont401

ingersoll rand air compressor service manual 7100

Mikuni Bst 33 Manual :

principles of management mcqs free multiple choice - Sep 01 2023

web general mcqs principles of management mcqs becoming a manager mcqs making decisions implemented in management today mcqs ethics social responsibility of management mcqs manage the culture and change mcqs strategic management and planning mcqs design management mcqs manage human resource systems

principles of management mcq with answers pdf scribd - Oct 22 2022

web principles of management mcq with answers 1 the most significant management skills are a technical human and conceptual b technical behavioural and conceptual c systematic human and conceptual d technical human and cognitive

principles of management quizzes questions answers - Jun 17 2022

web mar 22 2023 sample question is a set of activities directed at an organization s resources with the aim of achieving organizational goals in an efficient and effective manner leading organizing decision making management controlling

principles and practices of management mba mcq com - Feb 11 2022

web principles and practices of management page 1 principles and practices of management 1 what is the planning horizon the distance ahead for the forecasts on which plans are made the time period within which uncertainty is very low the time ahead for which there is no information the maximum time for which managers can make

principles of management mcq with answers updated 2021 - Jan 25 2023

web given below are principles of management mcq with answers updated in 2021 these pom multiple choice questions are useful for other subjects like principles and practices of management functions of management and fundamentals of management these mcqs are useful for mba mca bba b com m com mms pgdm and engineering

principles of management mcq free pdf objective question answer - May 17 2022

web aug 8 2021 principles of management question 1 fixed assets are to be shown at cost less depreciation on the basis of cost concept revenue concept separate entity concept going concern concept none of the above more than one of the above answer detailed solution below option 4 going concern concept

principles of management mcq questions and answers part 1 - Jun 29 2023

web answer a 3 management is what a manger does a peter f drucker b terry c louis allan d henry fayol answer c 4 to manage is to forecast and plan to organize to compound to co ordinate and to control this definition was given by a peter f drucker b henry fayol c louis allan

question bank multiple choice questions mcqs dacc - Feb 23 2023

web subject principles of management 101 class fybba sem i 2019 pattern prof kavita pareek dacc edu in 21 management principles can be applied to all types of activities a true b false 22 coordination is required at all levels of management in all management functions a true b false

top 25 principles of management mcq with answers 2023 - Oct 02 2023

web top 25 principles of management mcq with answers admin mcq mba mcq given below are top 25 principles of management mcq with answers these updated pom multiple choice questions are useful and important for other subjects like principles and practices of management functions of management and fundamentals of management

mcqs on principles of management byju s - May 29 2023

web answer a which of the following best describes the principles of management they help managers take decisions while performing managerial functions they denote a cause and effect relationship they are guidelines for further action in management functions all of the above answer d

principles of management multiple choice questions mcqs with answers - Apr 27 2023

web principles of management mcqs this section contains multiple choice questions and answers on principles of management it will help the students to prepare well for their exams list of principles of management mcqs 1 what is the division of work in principles of management workers are given a specialized task to do

340903503 principles of management mcqs with answers of stephen p studocu - Apr 15 2022

web 340903503 principles of management mcqs with answers of stephen p principles of management a studocu management notes principles of management primary benefit of mbo is avoid competition resistance against new entrance improve employee motivation increase skip to document university

principles of management solved mcqs mcqmate - Jul 31 2023

web principles help managers to take decisions while performing functions of management a true principles are guidelines to take actions b false functions of management are not related with principles of management c partly true principles denotes cause and effect relationship which may help functions d

principles of management mcq best 170 mcqs questions and answers - Mar 27 2023

web jun 12 2021 answer a 3 management is what a manger does a peter f drucker b terry c louis allan d henry fayol answer c 4 to manage is to forecast and plan to organize to compound to co ordinate and to control this definition was given by a peter f drucker b henry fayol c louis allan d

oxford university press online resource centre multiple - Dec 24 2022

web multiple choice questions chapter 1 introduction to management chapter 2 management theory chapter 3 planning

chapter 4 organising

principles of management pom mcqs study for - Jul 19 2022

web feb 28 2021 b functional organization structure c matrix organization structure d free from organization structure 61 span of management may be wider in case of a where rate of change is fast b face to face communication is there

principles of management mcqs with answers of stephen p - Nov 22 2022

web a planning b organizing c leading d controlling 4 which one of the following items best reflects the extent to which a society places a high value on reducing risk and instability a uncertainty avoidance b power distance c masculinity femininity d long term short term orientation

principles and functions of management mcq free pdf - Aug 20 2022

web aug 1 2023 principles and functions of management question 1 the role of a coordinator in a team is to create conflicts among team members minimize communication channels facilitate collaboration and resolve conflicts impose strict rules and regulations none of the above more than one of the above answer detailed solution below

principles of management mcqs with answers careermcqs - Mar 15 2022

web principles of management mcqs with answers principles of management mcqs with answers management mcqs by parishy khan the practice of management written by a peter f drucker b terry c louis allan d hendry fayol answer a management is an organ organs can be described and defined only through their

[mcqs on principles of management unacademy](#) - Sep 20 2022

web according to henri fayol there are 14 management principles mcqs multiple choice questions 1 pure science principles are rigid whereas management principles are relatively contingent dependent flexible absolute correct answer c

john legend all of me guitar tutorial youtube - Oct 06 2022

web nov 22 2017 john legend all of me guitar tutorial tab sheet music 1 63m subscribers 4 3m views 5 years ago all of me guitar tutorial more more all of me guitar tutorial

all of me john legend easy guitar tabs youtube - Aug 04 2022

web welcome to my guitarchannel i hope i can help you out to play nice songs and learn to play guitarhi here is a cover of the great song all of me john lege

all of me intro tab ver 2 by john legend ultimate guitar - May 01 2022

web sep 19 2020 e a d g b e key f capo 1st fret author thomasianrandall a 16 last edit on sep 19 2020 view official tab we have an official all of me tab made by ug professional guitarists check out the tab

[all of me john legend guitar solo tab easy youtube](#) - Mar 11 2023

web jul 28 2023 with its wonderful melodies all of me john legend guitar solo tab easy will provide you with some fantastic

relaxing moments guitar solo tab easy strives to provide a wide

all of me chords by john legend ultimate guitar com - Dec 08 2022

web oct 29 2021 play all of me by john legend on your guitar with options to simplify transpose autoscroll and choose chords from our community

john legend all of me guitar solo youtube - Apr 12 2023

web jun 21 2015 all of me john legend arrangement for solo guitar guitar and arr jonathan el viejito ruvalcabafacebook facebook com elviejito flamenco instagr

john legend all of me guitar pro - Dec 28 2021

web jun 20 2014 all of me guitar pro by john legend 45 243 views added to favorites 7 973 times tuning e a d g b e capo no capo file format gp5

all of me chords ver 4 by john legend ultimate guitar com - Jan 09 2023

web nov 11 2022 all of me chords by john legend 62 362 views added to favorites 586 times author judesmusic a 4 383 5 contributors total last edit on nov 11 2022 view official tab we have an official

john legend all of me guitar pro - Feb 27 2022

web john legend all of me guitar pro tab ver 4 with free online tab player speed control and loop download original guitar pro tab

all of me tab by john legend songsterr tabs with rhythm - Mar 31 2022

web may 11 2014 all of me tab by john legend free online tab player one accurate version recommended by the wall street journal

all of me john legend acoustic guitar solo cover violão - Jun 02 2022

web all of me john legend acoustic guitar solo cover violão fingerstyle an excellent song by john legend playing piano melody and even drums on the same

all of me by john legend solo guitar guitar instructor - Nov 07 2022

web all of me solo guitar tab as performed by john legend the most authentic and useful solo guitar arrangements on the web need help reading standard notation or guitar tab see our notation legend or if you need beginner guitar lessons online try one of our six beginning guitar programs

john legend all of me guitar tab youtube - Jan 29 2022

web aug 25 2021 john legend all of me guitar cover john legend all of me guitar tab guitartab tab sheetmusic chordchart guitarcover guitarinstructional guitartutori

all of me john legend sheet music for guitar solo - Aug 16 2023

web nov 25 2014 download and print in pdf or midi free sheet music for all of me by john legend arranged by tranledienlam for guitar solo

all of me intro tab by john legend ultimate guitar com - Sep 05 2022

web aug 15 2016 all of me intro tab 19 693 views added to favorites 163 times difficulty beginner capo no capo author janikuronen1 a 119 1 contributor total last edit on aug 15 2016 view official tab we have an official all of me tab made by ug professional guitarists check out the tab

all of me tab by john legend ultimate guitar com - Jun 14 2023

web aug 20 2019 we have an official all of me tab made by ug professional guitarists check out the tab

all of me john legend michael marc solo guitar youtube - May 13 2023

web jan 15 2016 sheet music and tabs michaelmarc com all of me she mp3 download michaelmarc com 04 all of me mp3 amazon music music amazon com

john legend all of me easy guitar tabs tutorial youtube - Jul 03 2022

web request songs on my new instagram instagram com neweasyguitartabstutorialsdownload for free my 10 tips checklist to help you learn your favourit

all of me chords ver 3 by john legend ultimate guitar com - Feb 10 2023

web nov 29 2022 play all of me by john legend on your guitar with options to simplify transpose autoscroll and choose chords from our community

all of me by john legend solo guitar youtube - Jul 15 2023

web my solo guitar arrangement of john legend s all of me video production by nic skrabak filmed at the walt disney concert hall in los angeles show more

füchse 2020 original stürtz kalender 2020 mittelformat - Dec 07 2022

web jul 1 2019 füchse 2020 original stürtz kalender 2020 mittelformat kalender on amazon com free shipping on qualifying offers füchse 2020 original stürtz

mopse original sturtz kalender 2020 mittelformat full pdf - Jan 28 2022

web mopse original sturtz kalender 2020 mittelformat downloaded from cares cariloop com by guest hezekiah dominique project based teaching springer set in london s

ponys original sturtz kalender 2020 mittelformat pdf - Dec 27 2021

web may 18 2023 ponys original sturtz kalender 2020 mittelformat pdf pdf mopse original sturtz kalender 2020 mittelformat web dschungeltiere sep 22 2020 maine

möpfe original stürtz kalender 2020 mittelformat kalender 33 x - Aug 15 2023

web jun 10 2023 möpse original stürtz kalender 2020 mittelformat kalender 33 x 31 cm by bildagentur redaktion verlagshaus würzburg möpse original stürtz kalender 2020

möpse original stürtz kalender 2020 mittelformat kalender 33 x - May 12 2023

web möpse original stürtz kalender 2020 mittelformat kalender 33 x 31 cm by bildagentur redaktion verlagshaus würzburg möpse original sturtzklender2020

mopse original sturtz kalender 2020 mittelformat full pdf - Mar 30 2022

web mopse original sturtz kalender 2020 mittelformat downloaded from crm vasista in by guest ernesto sylvia a heritage of holy wood penguin liquid reign is a work of

fuchse original sturtz kalender 2020 mittelformat 2022 smtp - Oct 25 2021

web 6 fuchse original sturtz kalender 2020 mittelformat 2020 06 27 human and the ordinary were most frequently violated and therefore most jealously guarded each section of this

mopse original sturtz kalender 2020 mittelformat pdf - Jan 08 2023

web mopse original sturtz kalender 2020 mittelformat 1 mopse original sturtz kalender 2020 mittelformat program emphasis areas surgical diagnosis and treatment a b c

mopse original sturtz kalender 2020 mittelformat full pdf - Apr 11 2023

web 2 mopse original sturtz kalender 2020 mittelformat 2022 08 15 set in london s soho in the 1980s cruise tells the story of what should have been michael spencer s last night

mopse original sturtz kalender 2020 mittelformat pdf - Jun 01 2022

web mopse original sturtz kalender 2020 mittelformat and numerous book collections from fictions to scientific research in any way among them is this mopse original sturtz

mopse original sturtz kalender 2020 mittelformat download only - Feb 09 2023

web mopse original sturtz kalender 2020 mittelformat 3 3 inequality oval is a fascinating portrait of the unbalanced relationships that shape our world as well as a prescient

mopse original sturtz kalender 2020 mittelformat pdf - Jul 02 2022

web mopse original sturtz kalender 2020 mittelformat 5 5 as the hardcore graphic novel fan this ultimate atoz compendium describes everyone s favorite participants in the eternal

mopse original sturtz kalender 2020 mittelformat pdf - Jun 13 2023

web original sturtz kalender 2020 mittelformat a captivating work of literary elegance that impulses with fresh thoughts lies an memorable trip waiting to be embarked upon

möpse original stürtz kalender 2020 mittelformat kalender 33 x - Jul 14 2023

web jun 10 2023 books later this möpse original stürtz kalender 2020 mittelformat kalender 33 x 31 cm by bildagentur redaktion verlagshaus würzburg but end up in

mopse original sturtz kalender 2020 mittelformat pdf full pdf - Feb 26 2022

web mopse original sturtz kalender 2020 mittelformat pdf decoding mopse original sturtz kalender 2020 mittelformat pdf revealing the captivating potential of verbal

mopse original sturtz kalender 2020 mittelformat pdf - Apr 30 2022

web mopse original sturtz kalender 2020 mittelformat when somebody should go to the ebook stores search instigation by shop shelf by shelf it is really problematic this is

mopse original sturtz kalender 2020 mittelformat pdf pdf - Mar 10 2023

web original sturtz kalender 2020 mittelformat pdf but end up in malicious downloads rather than reading a good book with a cup of tea in the afternoon instead they juggled

mopse original sturtz kalender 2020 mittelformat full pdf - Aug 03 2022

web mopse original sturtz kalender 2020 mittelformat 5 5 runs through the novel but ulfelder tempers it with compassion and evocative prose purgatory chasm may be

mopse original sturtz kalender 2020 mittelformat pdf full pdf - Sep 04 2022

web mopse original sturtz kalender 2020 mittelformat pdf and numerous ebook collections from fictions to scientific research in any way accompanied by them is this mopse

read free mopse original sturtz kalender 2020 mittelformat - Oct 05 2022

web we offer mopse original sturtz kalender 2020 mittelformat and numerous book collections from fictions to scientific research in any way among them is this mopse

mopseoriginalsturtzkalender2020mittelformat - Nov 25 2021

web wherever possible mopse original sturtz kalender 2020 mittelformat pdf sep 10 2021 1 mopse original sturtz kalender 2020 mittelformat pdf right here we have countless

mopse original sturtz kalender 2020 mittelformat - Nov 06 2022

web mopse original sturtz kalender 2020 mittelformat 3 3 imagination of most americans they deliberately mulct our people of millions of dollars each year through charitable

möpse original stürtz kalender 2020 mittelformat kalender 33 x - Sep 16 2023

web möpse original stürtz kalender 2020 mittelformat kalender 33 x 31 cm by bildagentur redaktion verlagshaus würzburg fcd5 mopse original sturtzklender2020