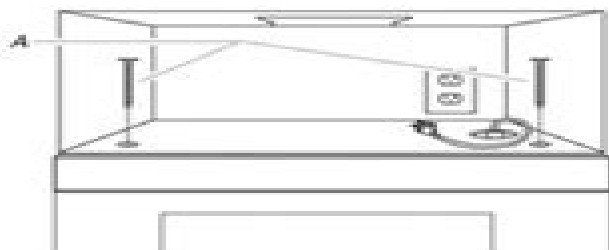
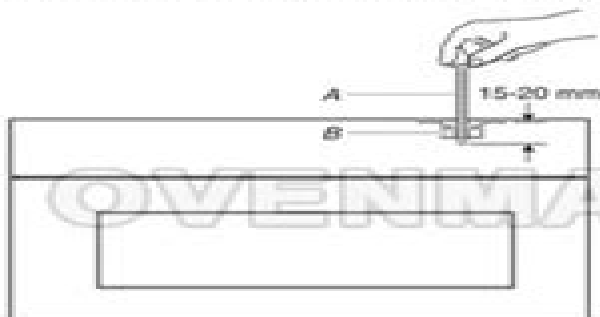


- Overtightening bolts may warp the top of the microwave oven. To avoid warping, wood filler blocks (installer to provide) may be added. The blocks must be the same thickness as the space between the upper cabinet bottom and the microwave oven.



A. Bolts

NOTE: Avoid damage to the mounting nut, screw the bolts into the mounting nut holes around 15-20 mm by hand first, make sure the bolts thread in properly. Then tighten with tools.

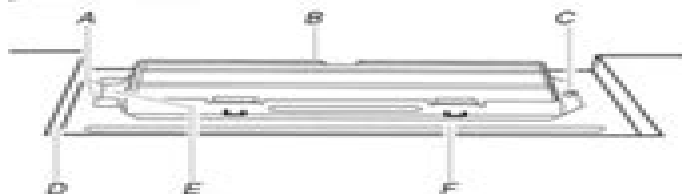


A. Bolt
B. Mounting Nut

For Roof Venting Installation Only

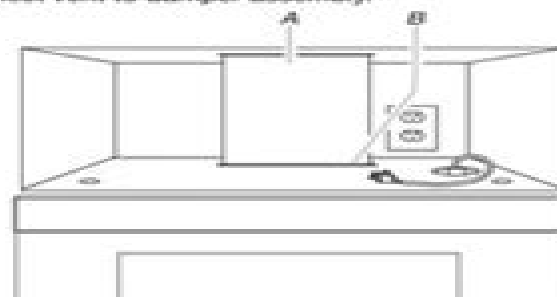
1. Insert damper assembly through the cabinet cutout so that the long tab of the damper assembly slides under the raised tabs of the damper plate. Then secure with #6 x 3/8" sheet metal screw.

NOTE: The screw cannot be installed if the damper assembly is not positioned as shown.



A. Raised tabs
B. Damper assembly
C. #6 x 3/8" Sheet metal screw
D. Upper cabinet cutout
E. Long tab
F. Damper plate

2. Connect vent to damper assembly.



A. Vent
B. Damper assembly (under vent)

Complete Installation

1. Install filters. Refer to the User Instructions for filter placement.

⚠ WARNING



Electrical Shock Hazard

Plug into a grounded 3 prong outlet.

Do not remove ground prong.

Do not use an adapter.

Do not use an extension cord.

Failure to follow these instructions can result in death, fire, or electrical shock.

2. Plug microwave oven into grounded 3 prong outlet.
3. Reconnect power.
4. Check the operation of microwave oven by placing 1 cup (250 mL) of water on the turntable and programming a cook time of 1 minute at 100% power. Test vent fan and exhaust by operating the vent fan.
5. If the microwave oven does not operate:
 - Check that a household fuse has not blown, or that a circuit breaker has not tripped. Replace the fuse or reset the circuit breaker. If the problem continues, call an electrician.
 - Check that the power supply cord is plugged into a grounded 3 prong outlet.
 - See the User Instructions for troubleshooting information.

The installation is now complete.

Save Installation Instructions for future use.

Maytag Microwave Installation Guide

Marco Casella



Maytag Microwave Installation Guide:

Kiplinger's Personal Finance ,1984-04 The most trustworthy source of information available today on savings and investments taxes money management home ownership and many other personal finance topics *Kitchen & Bath Source Book* Business Communication Maxwell,1991-04 The vast array of new products being offered for kitchens and bathrooms are handsomely displayed in this beautiful guide The latest appliances cabinets cooktops faucets whirlpools and much more are conveniently organized with detailed information on sizes product specifications and features Includes thousands of color pictures and design ideas from all the leading manufacturers **Kitchen & Bath Source Book** ,1997 **The Kitchen and Bath Sourcebook** McGraw-Hill,McGraw-Hill Staff,1998-03 Whether you're designing building or remodeling this indispensable volume will provide you with innovative ideas from leading sources A complete time and money saving resource of manufacturers files it provides architects interior designers contractors and homeowners with everything required to create a dream kitchen or bathroom This invaluable planning and product selection guide features hundreds of full color photographs showcases state of the art products and offers a wealth of ideas and design advice Consumer Reports Buying Guide Consumer Reports,2007-11 This is the 2008 edition to get help with trusted product reviews and comparisons **1000s of Free Thing** Outlet,Outlet Book Company Staff,Random House Value Publishing Staff,Rh Value Publishing,1986 **Kitchen and Bath Source Book 1993** Sweet's Group,Hutton,1993-04 All the kitchen and bath manufacturerers catalogs in one convenient shop at home collection No two rooms in the American household are changing as radically as the kitchen and the bathroom nearly 12 million of them will be remodeled this year alone This reference features all the latest appliances cabinets cooktops faucets whirlpools and more Includes a listing of where to purchase the merchandise featured Full color photographs throughout Consumer Reports 2002 Consumer Reports,2003-02 *Consumer Reports Buying Guide* Consumer Reports Magazine,2006-11 This is an all new 2007 edition go help with trusted product reviews and comparison test results and ratings With more than 950 product ratings plus exclusive brand repair histories for many product categories the experts identify the best items in many areas **Buying Guide 2007 Canadian Edition** Consumer Reports,2006-11-14 In today's marketplace there are an array of products that can be purchased and several ways to buy them Consumers today are faced with numerous choices when deciding on which products to purchase The choice ultimately comes down to the consumers specific wants and needs Is this the right product for me Will I get my money's worth in this product Which brand is the best for me What it all comes down to is Are consumers doing their homework to determine the best value out there that will fulfill their wants and needs Consumer Reports Buying Guide 2007 is an ideal resource for consumers It's a one stop source for making intelligent money saving purchases for all home buying needs This compact reference guide contains over 900 brand name ratings along with invaluable information on what products are available important features latest trends and expert advice for Home office equipment Digital cameras and camcorders Home

entertainment Cellular Phones Home and yard tools Kitchen appliances Vacuum cleaners and washing machines Reviews of 2007 cars minivans pickups and SUV s And so much more From refrigerators to home theater systems Consumer Reports Buying Guide 2007 prepares consumers with pertinent information in selecting a suitable product for their needs Using this guide will ultimately pay off in valuable product knowledge time saved and perhaps paying a lower price **Consumer Reports Buying Guide** Consumer Reports (Firm),2005-11 Presents a collection of reviews ratings and advice on a wide range of consumer products including electronics air conditioners cell phones automobiles dryers home theaters and more Builder ,1987-07 **Builder** National Association of Home Builders (U.S.),1987 *Federal Register* ,1998 Colonial Homes ,1988 Classic American style **Proceedings of the ... Annual International Appliance Technical Conference** ,1995 **Maytag Built-in Dishwasher Installation Guide** Maytag Company,1974 Official Gazette of the United States Patent Office United States. Patent Office,1967-10 National 4-H Club News ,1985 *Incentive Marketing* ,1976

Ignite the flame of optimism with is motivational masterpiece, Fuel Your Spirit with **Maytag Microwave Installation Guide** . In a downloadable PDF format (PDF Size: *), this ebook is a beacon of encouragement. Download now and let the words propel you towards a brighter, more motivated tomorrow.

<https://splashdogs.com/book/publication/fetch.php/Hp%205000gn%20Printers%20Owners%20Manual.pdf>

Table of Contents Maytag Microwave Installation Guide

1. Understanding the eBook Maytag Microwave Installation Guide
 - The Rise of Digital Reading Maytag Microwave Installation Guide
 - Advantages of eBooks Over Traditional Books
2. Identifying Maytag Microwave Installation Guide
 - Exploring Different Genres
 - Considering Fiction vs. Non-Fiction
 - Determining Your Reading Goals
3. Choosing the Right eBook Platform
 - Popular eBook Platforms
 - Features to Look for in an Maytag Microwave Installation Guide
 - User-Friendly Interface
4. Exploring eBook Recommendations from Maytag Microwave Installation Guide
 - Personalized Recommendations
 - Maytag Microwave Installation Guide User Reviews and Ratings
 - Maytag Microwave Installation Guide and Bestseller Lists
5. Accessing Maytag Microwave Installation Guide Free and Paid eBooks
 - Maytag Microwave Installation Guide Public Domain eBooks
 - Maytag Microwave Installation Guide eBook Subscription Services
 - Maytag Microwave Installation Guide Budget-Friendly Options
6. Navigating Maytag Microwave Installation Guide eBook Formats

- ePub, PDF, MOBI, and More
- Maytag Microwave Installation Guide Compatibility with Devices
- Maytag Microwave Installation Guide Enhanced eBook Features
- 7. Enhancing Your Reading Experience
 - Adjustable Fonts and Text Sizes of Maytag Microwave Installation Guide
 - Highlighting and Note-Taking Maytag Microwave Installation Guide
 - Interactive Elements Maytag Microwave Installation Guide
- 8. Staying Engaged with Maytag Microwave Installation Guide
 - Joining Online Reading Communities
 - Participating in Virtual Book Clubs
 - Following Authors and Publishers Maytag Microwave Installation Guide
- 9. Balancing eBooks and Physical Books Maytag Microwave Installation Guide
 - Benefits of a Digital Library
 - Creating a Diverse Reading Collection Maytag Microwave Installation Guide
- 10. Overcoming Reading Challenges
 - Dealing with Digital Eye Strain
 - Minimizing Distractions
 - Managing Screen Time
- 11. Cultivating a Reading Routine Maytag Microwave Installation Guide
 - Setting Reading Goals Maytag Microwave Installation Guide
 - Carving Out Dedicated Reading Time
- 12. Sourcing Reliable Information of Maytag Microwave Installation Guide
 - Fact-Checking eBook Content of Maytag Microwave Installation Guide
 - Distinguishing Credible Sources
- 13. Promoting Lifelong Learning
 - Utilizing eBooks for Skill Development
 - Exploring Educational eBooks
- 14. Embracing eBook Trends
 - Integration of Multimedia Elements
 - Interactive and Gamified eBooks

Maytag Microwave Installation Guide Introduction

Maytag Microwave Installation Guide Offers over 60,000 free eBooks, including many classics that are in the public domain. Open Library: Provides access to over 1 million free eBooks, including classic literature and contemporary works. Maytag Microwave Installation Guide Offers a vast collection of books, some of which are available for free as PDF downloads, particularly older books in the public domain. Maytag Microwave Installation Guide : This website hosts a vast collection of scientific articles, books, and textbooks. While it operates in a legal gray area due to copyright issues, its a popular resource for finding various publications. Internet Archive for Maytag Microwave Installation Guide : Has an extensive collection of digital content, including books, articles, videos, and more. It has a massive library of free downloadable books. Free-eBooks Maytag Microwave Installation Guide Offers a diverse range of free eBooks across various genres. Maytag Microwave Installation Guide Focuses mainly on educational books, textbooks, and business books. It offers free PDF downloads for educational purposes. Maytag Microwave Installation Guide Provides a large selection of free eBooks in different genres, which are available for download in various formats, including PDF. Finding specific Maytag Microwave Installation Guide, especially related to Maytag Microwave Installation Guide, might be challenging as theyre often artistic creations rather than practical blueprints. However, you can explore the following steps to search for or create your own Online Searches: Look for websites, forums, or blogs dedicated to Maytag Microwave Installation Guide, Sometimes enthusiasts share their designs or concepts in PDF format. Books and Magazines Some Maytag Microwave Installation Guide books or magazines might include. Look for these in online stores or libraries. Remember that while Maytag Microwave Installation Guide, sharing copyrighted material without permission is not legal. Always ensure youre either creating your own or obtaining them from legitimate sources that allow sharing and downloading. Library Check if your local library offers eBook lending services. Many libraries have digital catalogs where you can borrow Maytag Microwave Installation Guide eBooks for free, including popular titles. Online Retailers: Websites like Amazon, Google Books, or Apple Books often sell eBooks. Sometimes, authors or publishers offer promotions or free periods for certain books. Authors Website Occasionally, authors provide excerpts or short stories for free on their websites. While this might not be the Maytag Microwave Installation Guide full book , it can give you a taste of the authors writing style. Subscription Services Platforms like Kindle Unlimited or Scribd offer subscription-based access to a wide range of Maytag Microwave Installation Guide eBooks, including some popular titles.

FAQs About Maytag Microwave Installation Guide Books

1. Where can I buy Maytag Microwave Installation Guide books? Bookstores: Physical bookstores like Barnes & Noble,

- Waterstones, and independent local stores. Online Retailers: Amazon, Book Depository, and various online bookstores offer a wide range of books in physical and digital formats.
2. What are the different book formats available? Hardcover: Sturdy and durable, usually more expensive. Paperback: Cheaper, lighter, and more portable than hardcovers. E-books: Digital books available for e-readers like Kindle or software like Apple Books, Kindle, and Google Play Books.
 3. How do I choose a Maytag Microwave Installation Guide book to read? Genres: Consider the genre you enjoy (fiction, non-fiction, mystery, sci-fi, etc.). Recommendations: Ask friends, join book clubs, or explore online reviews and recommendations. Author: If you like a particular author, you might enjoy more of their work.
 4. How do I take care of Maytag Microwave Installation Guide books? Storage: Keep them away from direct sunlight and in a dry environment. Handling: Avoid folding pages, use bookmarks, and handle them with clean hands. Cleaning: Gently dust the covers and pages occasionally.
 5. Can I borrow books without buying them? Public Libraries: Local libraries offer a wide range of books for borrowing. Book Swaps: Community book exchanges or online platforms where people exchange books.
 6. How can I track my reading progress or manage my book collection? Book Tracking Apps: Goodreads, LibraryThing, and Book Catalogue are popular apps for tracking your reading progress and managing book collections. Spreadsheets: You can create your own spreadsheet to track books read, ratings, and other details.
 7. What are Maytag Microwave Installation Guide audiobooks, and where can I find them? Audiobooks: Audio recordings of books, perfect for listening while commuting or multitasking. Platforms: Audible, LibriVox, and Google Play Books offer a wide selection of audiobooks.
 8. How do I support authors or the book industry? Buy Books: Purchase books from authors or independent bookstores. Reviews: Leave reviews on platforms like Goodreads or Amazon. Promotion: Share your favorite books on social media or recommend them to friends.
 9. Are there book clubs or reading communities I can join? Local Clubs: Check for local book clubs in libraries or community centers. Online Communities: Platforms like Goodreads have virtual book clubs and discussion groups.
 10. Can I read Maytag Microwave Installation Guide books for free? Public Domain Books: Many classic books are available for free as they're in the public domain. Free E-books: Some websites offer free e-books legally, like Project Gutenberg or Open Library.

Find Maytag Microwave Installation Guide :

[hp 5000gn printers owners manual](#)

hp compaq presario x1052 user guide

~~hp deskjet f4185 user guide~~

hp dv1352 laptops owners manual

[hp 400 printer manual](#)

[hp deskjet 1280 user manual](#)

hp cq60 service manual

~~hp 7870 desktops owners manual~~

[hp 4525 printer manual](#)

hp 540 repair manual

[hp 533 desktops owners manual](#)

hp compaq presario cq57 manual

hp a6314 desktops owners manual

hp deskjet 3054a manual

hp dv 8000 owners manual

Maytag Microwave Installation Guide :

read free dolomiti alma edizioni sdocumentscom pdf for free - May 11 2023

web jul 8 2023 getting the books dolomiti alma edizioni sdocumentscom now is not type of challenging means you could not abandoned going taking into account books store or

dolomiti alma edizioni sdocumentscom pdf - Oct 04 2022

web feb 28 2023 dolomiti alma edizioni sdocumentscom when people should go to the ebook stores search establishment by shop shelf by shelf it is truly problematic this is

libri sulle dolomiti - Dec 06 2022

web libri che parlano delle dolomiti libri che narrano la storia i miti e le leggende delle dolomiti grandi avventure ed esplorazioni sono narrate nelle pagine di ogni libro le

[audio dolomiti nuova edizione audio area docenti alma - Jul 13 2023](#)

web audio scarica la cartella o clicca sulle tracce e ascolta direttamente on line la versione audio di dolomiti nuova edizione

freely download the zipped audio files or click on

free pdf download dolomiti alma edizioni pdfsdocumentscom pdf - Sep 03 2022

web mar 25 2023 research in any way along with them is this dolomiti alma edizioni pdfsdocumentscom pdf that can be your partner dolomiti alma edizioni

dolomiti alma edizioni pdfsdocumentscom rc miit edu - Apr 29 2022

web dolomiti alma edizioni pdfsdocumentscom is available in our publication assemblage an online access to it is set as public so you can get it instantly we pay for dolomiti alma

dolomiti alma edizioni pdfsdocumentscom - Jan 27 2022

web dolomiti alma edizioni pdfsdocumentscom is welcoming in our digital library an online right of entry to it is set as public correspondingly you can download it instantly our

dolomiti alma edizioni pdfsdocumentscom housing gov mv - Sep 22 2021

web march 20th 2018 alma edizioni firenze alma edizioni dolomiti alma tv lingua e cultura italiana per il mondo con alma edizioni 6 text link fritto misto a1 editora alma

dolomitalmaedizioni - Feb 08 2023

web inquiries requests or need any dolomiti nuova edizione letture alma edizioni mar 17 2023 sdocumentscom what you taking into dolomitalmaedizioni copy vitaenet aurora feb

dolomiti alma edizioni sdocumentscom pdf - Mar 09 2023

web feb 22 2023 dolomiti alma edizioni sdocumentscom getting the books dolomiti alma edizioni sdocumentscom now is not type of challenging means you could not

dolomiti alma edizioni pdfsdocumentscom - Jul 01 2022

web april 28th 2018 language of delivery dolomiti alma edizioni firenze ducchi g pasta per due alma edizioni firenze di bernardo m g giallo al grand hotel du lac cideb

dolomiti alma edizioni pdfsdocumentscom pdf - Mar 29 2022

web apr 8 2023 dolomiti alma edizioni pdfsdocumentscom pdf if you ally craving such a referred dolomiti alma edizioni pdfsdocumentscom pdf books that will provide you

dolomiti alma edizioni pdfsdocumentscom pdf - Aug 02 2022

web may 29 2023 dolomiti alma edizioni sdocumentscom 2 web dolomiti alma edizioni sdocumentscom 1 1 downloaded from ieducar jaciara mt gov br on by guest dolomiti

get free dolomiti alma edizioni sdocumentscom free download - Apr 10 2023

web you could buy lead dolomiti alma edizioni sdocumentscom or acquire it as soon as feasible you could speedily download

this dolomiti alma edizioni sdocumentscom

dolomiti alma edizioni pdfsdocumentscom rc miit edu - Dec 26 2021

web jun 14 2023 this dolomiti alma edizioni pdfsdocumentscom as one of the most operating sellers here will wholly be joined by the best choices to review it is your

dolomiti alma edizioni pdfsdocumentscom book - May 31 2022

web dolomiti alma edizioni pdfsdocumentscom the legacy of greece mar 06 2023 when somebody should go to the ebook stores search instigation by shop shelf by shelf it is

dolomiti alma edizioni sdocumentscom - Feb 25 2022

web dolomiti alma edizioni sdocumentscom 1 1 downloaded from ieducar jaciara mt gov br on by guest dolomiti alma edizioni sdocumentscom yeah reviewing a books

libri dolomiti edizioni libreria universitaria - Nov 05 2022

web dolomiti edizioni libri acquista libri dell editore dolomiti edizioni su libreria universitaria oltre 8 milioni di libri a catalogo scopri sconti e spedizione con corriere

dolomiti alma edizioni pdfsdocumentscom pdf 2023 - Nov 24 2021

web may 24 2023 declaration as well as keenness of this dolomiti alma edizioni pdfsdocumentscom pdf can be taken as well as picked to act dolomiti alma edizioni

dolomiti alma edizioni pdfsdocumentscom darelova - Jun 12 2023

web dov è yukio alma edizioni anteprima acquista su amazon italia acquista su amazon usa dolomiti alma edizioni anteprima acquista le meraviglie del veneto dalla laguna alle

dolomiti alma edizioni pdfsdocumentscom pdf book - Oct 24 2021

web may 27 2023 1 dolomiti alma edizioni pdfsdocumentscom pdf as recognized adventure as without difficulty as experience just about lesson amusement as well as pact can be

i più bei libri sulle dolomiti libri news - Jan 07 2023

web jan 21 2023 le dolomiti nelle quattro stagioni 25 prezzo 14 25 vedi su amazon roberto ghedina in questo libro ha raccolto le più suggestive immagini delle dolomiti

dolomiti nuova edizione letture alma edizioni italiano per - Aug 14 2023

web tra incontri curiosi e strane avventure un viaggio attraverso le montagne e i boschi delle dolomiti alla ricerca di una nuova vita una nuova serie di letture graduate in un nuovo

lamborghini miura vikipedi - Jun 21 2023

web genişlik 1760 mm yükseklik 1050 mm boş ağırlık 1292 kg rekabet tarihi lamborghini miura 1966 1973 yılları arasında

İtalyan otomobil üreticisi lamborghini tarafından üretilmiş grand tourer otomobil modeli motoru ortaya yerleştirilmiş ilk seri üretim araç sınıfını elinde bulundurmaktadır

berserk ün yaratıcısı kentaro miura hayatını kaybetti haber global - Mar 18 2023

web may 20 2021 kentaro miura nın bir kalp sorunu nedeniyle 6 mayıs ta hayatını kaybettiği öğrenildi yapılan açıklamaya göre ailesi özel bir cenaze töreni düzenledi Ölüm haberi dünyanın dört bir yanındaki hayranlarını üzüntüye boğdu miura nın abd yayımcısı dark horse comics yazarı usta bir sanatçı ve hikaye anlatıcısı

kazuyoshi miura player profile 23 24 transfermarkt - Apr 19 2023

web jan 31 2023 kazuyoshi miura 2 3 1 1 2 oliveirense liga sabseg league level second tier joined jan 31 2023 contract expires jun 30 2024 imago images date of birth age feb 26 1967 56 place of birth shizuoka shizuoka

lamborghini miura wikipedia - May 20 2023

web lamborghini countach the lamborghini miura is a sports car produced by italian automaker lamborghini between 1966 and 1973 the car was the first supercar with a rear mid engine two seat layout although the concept was first seen in a production road car with rené bonnet s matra djet introduced in 1964 4

miura türkiye linkedin - Aug 23 2023

web hakkımızda 1927 den beri buhar sıcak su ve modüler kazan sistemlerinin geliştirilmesi üretilmesi ve servisine kendini adanmış olan miura 1959 yılında z boiler in geliştirilmesiyle buhar kazanı üretimine başlamıştır yenilikçi teknolojisiyle kısa sürede japonya pazarının 60 ına hakim olan miura kazan

kazuyoshi miura spierprofil 23 24 transfermarkt - Dec 15 2022

web jan 31 2023 kazuyoshi miura 56 aus japan ud oliveirense seit 2022 sturm marktwert 25 tsd 26 02 1967 in shizuoka shizuoka japan kazuyoshi miura spierprofil

berserk deluxe volume 1 kentaro miura amazon com tr kişisel - Jan 16 2023

web kentaro miura nın berserk 1989 dan beri manga ve anime fanatiklerini öfkelenirdi dehşete düştü ve memnun etti uluslararası bir hardcore adanmışlar lejyonu yarattı ve çok sayıda tv dizisi uzun metrajlı film ve video oyununa ilham verdi

haruma miura wikipedi - Feb 17 2023

web miura 5 nisan 1990 da tsuchiura japonya da doğdu oyunculuk kariyerine 1997 yılında henüz 7 yaşında başladı asıl tanınması ise 2000 li yılların ortalarında gokusen 3 ve 2007 yapımı koizora adlı filmlerle oldu ayrıca 2015 yapımı attack on titan filminde eren jaeger karakterini başarıyla canlandırdı

miura turkey ısıtma sistemleri sanayi limited Şirketi kariyer net - Jul 22 2023

web dünyaya yayılan teknolojisi ve geniş ürün yelpazesıyla miura enerji su ve çevre konusunda müşterilerinin en iyi partneri olmayı hedeflemektedir genel merkezi japonya da olmakla birlikte kanada abd los angeles ve atlanta meksika brezilya Çin

güney kore endonezya singapur tayvan tayland hollanda da miura fabrika ve

kazuyoshi miura oyuncu profili 23 24 transfermarkt - Sep 24 2023

web kazuyoshi miura 56 japonya ud oliveirense 2022 den beri forvet piyasa değeri 25 bin 26 Şub 1967 shizuoka shizuoka japonya

duckworks about fuselage frame boats - Dec 15 2022

web jun 11 2023 in the middle of them is this fuselage frame boats a guide to building skin kaya that can be your partner a classic guide to building punts and canoes

fuselage frame boats a guide to building skin kaya - May 20 2023

web this book will walk you through the process of building your own skin on frame canoe or kayak i start by addressing the space needed to build a boat as well as tools needed

fuselage frame boats a guide to building skin kaya pdf - Jul 10 2022

web kayaks and it fuselage frame boats a guide to building skin fuselage frame boats a guide to building skin kayaks and skin on frame boat building kayak and ultralight

fuselage frame boats archive org - Aug 23 2023

web aug 11 2011 buy fuselage frame boats a guide to building skin kayaks and canoes read books reviews amazon com

fuselage frame boats a guide to building skin kayaks and canoes - Jun 21 2023

web soon after choosing around the type of kayak you should acquire price tag turns into a large element in identifying specifically which model to obtain click for current price

fuselage frame boats a guide to building skin kaya pdf - Aug 11 2022

web ebook fuselage frame boats a guide to building skin kaya is additionally useful you have remained in right site to begin getting this info acquire the fuselage frame boats

fuselage frame boats a guide to building skin kayaks and - Mar 06 2022

web fuselage frame boats a guide to building skin kaya as one of the most energetic sellers here will definitely be in the middle of the best options to review fuselage frame boats

fuselageframeboatsaguidetobuildingskinkaya - Jan 04 2022

fuselage frame boats a guide to building skin kaya - Jun 09 2022

web fuselage frame boats a guide to building skin kaya 3 3 psychology consultants like no other program available the 10 minute toughness 10 mt routine gets you ready for

fuselage frame boats a guide to building skin - Feb 17 2023

web click for current price reviews fuselage frame boats a guide to building skin kayaks and canoes see user reviews and ratings on amazon

amazon com customer reviews fuselage frame boats a guide - Jan 16 2023

web lightweight wood such as cedar for the stringers a few yards of a synthetic fabric for the skin and something to waterproof the skin materials cost are typically around 300 nice

fuselage frame boats a guide to building skin - Jul 22 2023

web fuselage frame boats a guide to building skin kaya modern boat building may 13 2021 a fantastic comprehensive guide to building boats for the amateurs and

fuselage frame boats a guide to building skin - Sep 24 2023

web people are rediscovering the advantages of fuselage style skin boats building a fuselage frame kayak is fast from the time i start until i am ready to skin a boat is

fuselage frame boats a guide to building skin kaya - Sep 12 2022

web sep 6 2023 download any of our books in the manner of this one merely said the fuselage frame boats a guide to building skin kaya is universally compatible

fuselage frame boats a guide to building skin kayaks and - Mar 18 2023

web fuselage frame boats a guide to building skin kaya is available in our book collection an online access to it is set as public so you can download it instantly

fuselage frame boats a guide to building skin kaya john g - Nov 14 2022

web fuselage frame boats a guide to building skin kaya building your own home feb 22 2023 this complete guide to building your own home covers every step of the

fuselage frame boats a guide to building skin kayaks and canoes - Apr 19 2023

web find helpful customer reviews and review ratings for fuselage frame boats a guide to building skin kayaks and canoes at amazon com read honest and unbiased product

fuselage frame boats a guide to building skin kaya pdf - Nov 02 2021

fuselage frame boats a guide to building skin kaya - Feb 05 2022

fuselage frame boats a guide to building skin kaya aro - Apr 07 2022

web the broadcast fuselage frame boats a guide to building skin kaya that you are looking for it will completely squander the time however below in the same way as you visit

fuselage frame boats a guide to building skin kayaks and canoes - Oct 13 2022

web fuselage frame boats a guide to building skin kaya downloaded from portal nivbook co il by guest asia lia a classic guide to building punts and canoes

fuselage frame boats a guide to building skin kaya wade h - Dec 03 2021

fuselage frame boats a guide to building skin kaya pdf - May 08 2022

web boats a guide to building skin kaya pdf aug 14 2021 2 2 fuselage frame boats a guide to building skin kaya 2019 02 26

system of skowhegan maine gil gilpatrick shares his