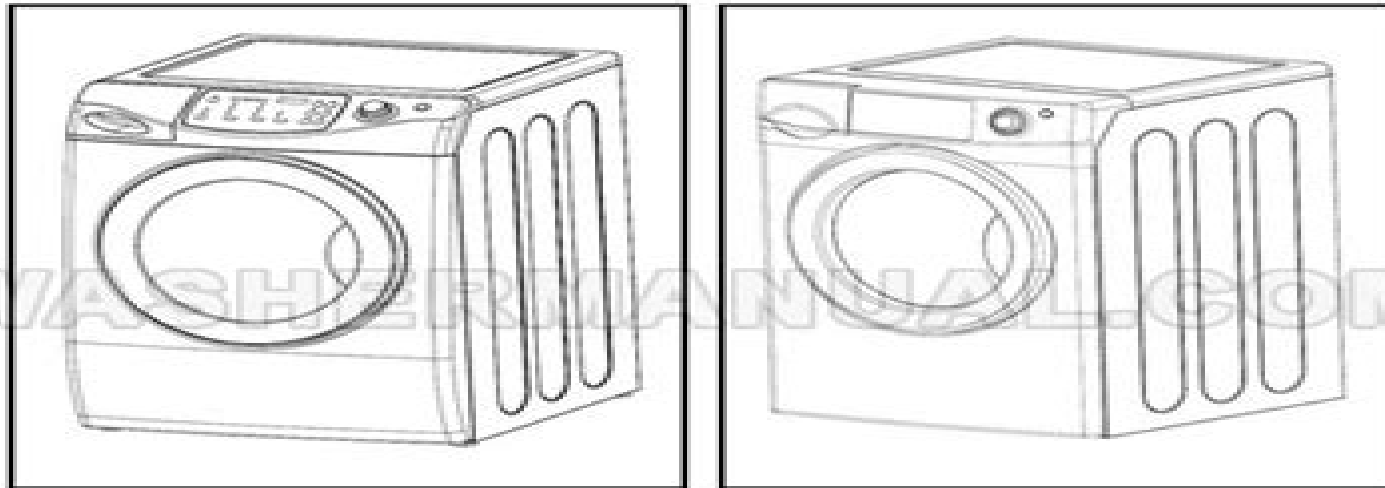




**HIGH-EFFICIENCY WASHER INSTALLATION INSTRUCTIONS**

**MACHINE À LAVER HAUTE EFFICACITÉ  
GUIDE DE MISE EN SERVICE**

**INSTRUCCIONES PARA LA INSTALACIÓN  
DE LA LAVADORA DE ALTA EFICIENCIA**



**LEAVE THESE INSTRUCTIONS WITH THE OWNER**

**LAISSER CE GUIDE DE MISE EN SERVICE AU PROPRIÉTAIRE**

**DEJAR ESTAS INSTRUCCIONES CON EL PROPIETARIO**

# Maytag Neptune Washer Mah8700aww Manual

**Maytag Company**



**Maytag Neptune Washer Mah8700aww Manual:**

Maytag Neptune Maytag Appliances Sales Company, Maytag Corporation, 2003\*      *Maytag* Maytag Appliances Slaes  
Company, 2001      **Maytag Neptune** Maytag Corporation, 1998      Maytag Automatic Washer Service Manual, Model AM &  
AMP. Maytag Company, 1950      **Maytag Automatic Washer Service Manual** Maytag Company, 2003      **Maytag**  
**Performa** Maytag Corporation, 2004      **Maytag Highlander Automatic Washer Service Manual** Maytag Company, 1962  
**Maytag Automatic Washer Service Manual** Maytag Company, 1980

## **Maytag Neptune Washer Mah8700aww Manual** Book Review: Unveiling the Power of Words

In a global driven by information and connectivity, the energy of words has become more evident than ever. They have the ability to inspire, provoke, and ignite change. Such may be the essence of the book **Maytag Neptune Washer Mah8700aww Manual**, a literary masterpiece that delves deep into the significance of words and their affect our lives. Published by a renowned author, this captivating work takes readers on a transformative journey, unraveling the secrets and potential behind every word. In this review, we will explore the book is key themes, examine its writing style, and analyze its overall affect readers.

<https://splashdogs.com/files/scholarship/default.aspx/lennox%20e1195uh%20troubleshooting%20guide.pdf>

### **Table of Contents Maytag Neptune Washer Mah8700aww Manual**

1. Understanding the eBook Maytag Neptune Washer Mah8700aww Manual
  - The Rise of Digital Reading Maytag Neptune Washer Mah8700aww Manual
  - Advantages of eBooks Over Traditional Books
2. Identifying Maytag Neptune Washer Mah8700aww Manual
  - Exploring Different Genres
  - Considering Fiction vs. Non-Fiction
  - Determining Your Reading Goals
3. Choosing the Right eBook Platform
  - Popular eBook Platforms
  - Features to Look for in an Maytag Neptune Washer Mah8700aww Manual
  - User-Friendly Interface
4. Exploring eBook Recommendations from Maytag Neptune Washer Mah8700aww Manual
  - Personalized Recommendations
  - Maytag Neptune Washer Mah8700aww Manual User Reviews and Ratings
  - Maytag Neptune Washer Mah8700aww Manual and Bestseller Lists

5. Accessing Maytag Neptune Washer Mah8700aww Manual Free and Paid eBooks
  - Maytag Neptune Washer Mah8700aww Manual Public Domain eBooks
  - Maytag Neptune Washer Mah8700aww Manual eBook Subscription Services
  - Maytag Neptune Washer Mah8700aww Manual Budget-Friendly Options
6. Navigating Maytag Neptune Washer Mah8700aww Manual eBook Formats
  - ePub, PDF, MOBI, and More
  - Maytag Neptune Washer Mah8700aww Manual Compatibility with Devices
  - Maytag Neptune Washer Mah8700aww Manual Enhanced eBook Features
7. Enhancing Your Reading Experience
  - Adjustable Fonts and Text Sizes of Maytag Neptune Washer Mah8700aww Manual
  - Highlighting and Note-Taking Maytag Neptune Washer Mah8700aww Manual
  - Interactive Elements Maytag Neptune Washer Mah8700aww Manual
8. Staying Engaged with Maytag Neptune Washer Mah8700aww Manual
  - Joining Online Reading Communities
  - Participating in Virtual Book Clubs
  - Following Authors and Publishers Maytag Neptune Washer Mah8700aww Manual
9. Balancing eBooks and Physical Books Maytag Neptune Washer Mah8700aww Manual
  - Benefits of a Digital Library
  - Creating a Diverse Reading Collection Maytag Neptune Washer Mah8700aww Manual
10. Overcoming Reading Challenges
  - Dealing with Digital Eye Strain
  - Minimizing Distractions
  - Managing Screen Time
11. Cultivating a Reading Routine Maytag Neptune Washer Mah8700aww Manual
  - Setting Reading Goals Maytag Neptune Washer Mah8700aww Manual
  - Carving Out Dedicated Reading Time
12. Sourcing Reliable Information of Maytag Neptune Washer Mah8700aww Manual
  - Fact-Checking eBook Content of Maytag Neptune Washer Mah8700aww Manual
  - Distinguishing Credible Sources
13. Promoting Lifelong Learning

- Utilizing eBooks for Skill Development
  - Exploring Educational eBooks
14. Embracing eBook Trends
- Integration of Multimedia Elements
  - Interactive and Gamified eBooks

### **Maytag Neptune Washer Mah8700aww Manual Introduction**

In this digital age, the convenience of accessing information at our fingertips has become a necessity. Whether its research papers, eBooks, or user manuals, PDF files have become the preferred format for sharing and reading documents. However, the cost associated with purchasing PDF files can sometimes be a barrier for many individuals and organizations. Thankfully, there are numerous websites and platforms that allow users to download free PDF files legally. In this article, we will explore some of the best platforms to download free PDFs. One of the most popular platforms to download free PDF files is Project Gutenberg. This online library offers over 60,000 free eBooks that are in the public domain. From classic literature to historical documents, Project Gutenberg provides a wide range of PDF files that can be downloaded and enjoyed on various devices. The website is user-friendly and allows users to search for specific titles or browse through different categories. Another reliable platform for downloading Maytag Neptune Washer Mah8700aww Manual free PDF files is Open Library. With its vast collection of over 1 million eBooks, Open Library has something for every reader. The website offers a seamless experience by providing options to borrow or download PDF files. Users simply need to create a free account to access this treasure trove of knowledge. Open Library also allows users to contribute by uploading and sharing their own PDF files, making it a collaborative platform for book enthusiasts. For those interested in academic resources, there are websites dedicated to providing free PDFs of research papers and scientific articles. One such website is Academia.edu, which allows researchers and scholars to share their work with a global audience. Users can download PDF files of research papers, theses, and dissertations covering a wide range of subjects. Academia.edu also provides a platform for discussions and networking within the academic community. When it comes to downloading Maytag Neptune Washer Mah8700aww Manual free PDF files of magazines, brochures, and catalogs, Issuu is a popular choice. This digital publishing platform hosts a vast collection of publications from around the world. Users can search for specific titles or explore various categories and genres. Issuu offers a seamless reading experience with its user-friendly interface and allows users to download PDF files for offline reading. Apart from dedicated platforms, search engines also play a crucial role in finding free PDF files. Google, for instance, has an advanced search feature that allows users to filter results by file type. By specifying the file type as "PDF," users can find websites that offer free PDF downloads on a specific topic. While downloading Maytag Neptune Washer

Mah8700aww Manual free PDF files is convenient, its important to note that copyright laws must be respected. Always ensure that the PDF files you download are legally available for free. Many authors and publishers voluntarily provide free PDF versions of their work, but its essential to be cautious and verify the authenticity of the source before downloading Maytag Neptune Washer Mah8700aww Manual. In conclusion, the internet offers numerous platforms and websites that allow users to download free PDF files legally. Whether its classic literature, research papers, or magazines, there is something for everyone. The platforms mentioned in this article, such as Project Gutenberg, Open Library, Academia.edu, and Issuu, provide access to a vast collection of PDF files. However, users should always be cautious and verify the legality of the source before downloading Maytag Neptune Washer Mah8700aww Manual any PDF files. With these platforms, the world of PDF downloads is just a click away.

### **FAQs About Maytag Neptune Washer Mah8700aww Manual Books**

1. Where can I buy Maytag Neptune Washer Mah8700aww Manual books? Bookstores: Physical bookstores like Barnes & Noble, Waterstones, and independent local stores. Online Retailers: Amazon, Book Depository, and various online bookstores offer a wide range of books in physical and digital formats.
2. What are the different book formats available? Hardcover: Sturdy and durable, usually more expensive. Paperback: Cheaper, lighter, and more portable than hardcovers. E-books: Digital books available for e-readers like Kindle or software like Apple Books, Kindle, and Google Play Books.
3. How do I choose a Maytag Neptune Washer Mah8700aww Manual book to read? Genres: Consider the genre you enjoy (fiction, non-fiction, mystery, sci-fi, etc.). Recommendations: Ask friends, join book clubs, or explore online reviews and recommendations. Author: If you like a particular author, you might enjoy more of their work.
4. How do I take care of Maytag Neptune Washer Mah8700aww Manual books? Storage: Keep them away from direct sunlight and in a dry environment. Handling: Avoid folding pages, use bookmarks, and handle them with clean hands. Cleaning: Gently dust the covers and pages occasionally.
5. Can I borrow books without buying them? Public Libraries: Local libraries offer a wide range of books for borrowing. Book Swaps: Community book exchanges or online platforms where people exchange books.
6. How can I track my reading progress or manage my book collection? Book Tracking Apps: Goodreads, LibraryThing, and Book Catalogue are popular apps for tracking your reading progress and managing book collections. Spreadsheets: You can create your own spreadsheet to track books read, ratings, and other details.

7. What are Maytag Neptune Washer Mah8700aww Manual audiobooks, and where can I find them? Audiobooks: Audio recordings of books, perfect for listening while commuting or multitasking. Platforms: Audible, LibriVox, and Google Play Books offer a wide selection of audiobooks.
8. How do I support authors or the book industry? Buy Books: Purchase books from authors or independent bookstores. Reviews: Leave reviews on platforms like Goodreads or Amazon. Promotion: Share your favorite books on social media or recommend them to friends.
9. Are there book clubs or reading communities I can join? Local Clubs: Check for local book clubs in libraries or community centers. Online Communities: Platforms like Goodreads have virtual book clubs and discussion groups.
10. Can I read Maytag Neptune Washer Mah8700aww Manual books for free? Public Domain Books: Many classic books are available for free as they're in the public domain. Free E-books: Some websites offer free e-books legally, like Project Gutenberg or Open Library.

## Find Maytag Neptune Washer Mah8700aww Manual :

### **lennox el195uh troubleshooting guide**

*leon rock picker manual*

*les bases rudimentaires de la numeacuterologie*

### **lemon viniagrette recipe**

[lenovo thinkpad t61p user manual](#)

*les bons gestes de l'apiculteur*

[lenovo p400 manual](#)

### **les cdi dans la tourmente entre loyauteacute et deacutesarrois**

*lemon pepper catfish recipe*

*les arts premiers laquo que saisje raquo ndeg*

[lenel owner manual](#)

*les avatars de la volonteacute geacuteneacuterale*

### **lennox electric furnace manual**

*les associations de faits les dossiers dasbl actualiteacutes*

*leon county schools mathematics pacing guide*



**Maytag Neptune Washer Mah8700aww Manual :**

Pixel Craft with Perler Beads: More Than 50 Patterns Inside this book you'll find over 50 super fun design ideas for digital-inspired jewelry, coasters, frames, boxes, toys, and more. You'll learn all the basics ... Pixel Craft with Perler Beads: More Than 50 Super Cool ... Bring pixel art to life with colorful Perler beads: 50+ imaginative design ideas & dozens of fun projects; Create retro-chic wearables, jewelry, and home décor ... Patterns for Hama, Perler, Pyssla, Nabbi, and Melty Beads ... Pixel Craft with Perler Beads: More Than 50 Super Cool Patterns: Patterns for Hama, Perler, Pyssla, Nabbi, and Melty Beads · Paperback · \$9.99. Pixel Craft with Perler Beads: More Than 50 Super Cool ... \$9.99 ... Create retro-chic pixelated wearables, jewelry, and home decor with 50 imaginative design ideas in this book. Perler(R) and other fusible craft beads ... Pixel Craft with Perler Beads: More Than 50 Super Cool ... Pixel Craft with Perler Beads: More Than 50 Super Cool Patterns: Patterns for Hama, Perler, Pyssla, Nabbi, and Melty Beads ... Up to sixty percent off. Shop now. Pixel Craft with Perler Beads (More Than 50 Super Cool ... This book title, Pixel Craft with Perler Beads (More Than 50 Super Cool Patterns: Patterns for Hama, Perler, Pyssla, Nabbi, and Melty Beads), ISBN: ... Pixel Craft with Perler Beads Inside this book you'll find over 50 super fun design ideas for digital-inspired jewelry, coasters, frames, boxes, toys, and more. You'll learn all the basics ... Pixel Craft with Perler Beads: More Than 50 Super Cool ... Buy the book Pixel Craft with Perler Beads: More Than 50 Super Cool Patterns: Patterns for Hama, Perler, Pyssla, Nabbi, and Melty Beads by choly knight at ... More Than 50 Super Cool Patter... by Choly Knight Pixel Craft with Perler Beads: More Than 50 Super Cool Patter... by Choly Knight ; Quantity. 3 sold. 2 available ; Item Number. 302853967254 ; Format. Paperback / ... Pixel Craft with Perler Beads: More Than 50 Super Cool ... Pixel Craft with Perler Beads: More Than 50 Super Cool Patterns: Patterns for Hama, Perler, Pyssla, Nabbi, and Melty Beads (Paperback). By Choly Knight. \$9.99. Hiram Sharifian - The Yellow Wallpaper Active Reading ... This shows how women have to rely on other alternatives to relieve their stress. The completed worksheet that contains the answers is provided in the ... The Yellow Wallpaper - Active Reading Chart PDF - Scribd Gilman's The Yellow Wall-paper Active Reading Chart. Student Name. Date. Use the worksheet to take notes on how the narrator discusses the world around her. Pay ... Charlotte Perkins Gilman, The Yellow Wallpaper Flashcards Study with Quizlet and memorize flashcards containing terms like why does the ... Yellow Wallpaper Study Questions \*Answers\*. 16 terms. Profile Picture. The yellow wallpaper active reading chart answer key Edit, sign, and share the yellow wallpaper active reading chart answer key online. No need to install software, just go to DocHub, and sign up instantly and ... Yellow Wallpaper Study Questions \*Answers\* Flashcards Study with Quizlet and memorize flashcards containing terms like The Yellow Wallpaper, Why have the narrator and her husband, John, rented the "colonial ... The Yellow Wallpaper Active Reading Chart Answer Key - Fill ... Fill The Yellow Wallpaper Active Reading Chart Answer Key, Edit online. Sign, fax and printable from PC, iPad, tablet or mobile with pdfFiller  Instantly. The Yellow Wallpaper Active Reading Chart Answer Key Fill The Yellow Wallpaper Active Reading Chart Answer Key, Edit online. Sign,

fax and printable from PC, iPad, tablet or mobile with pdfFiller  Instantly. The Yellow Wallpaper Active Reading Chart Answer Key ... Gilman's the Yellow Wallpaper Active Reading Chart. Check out how easy it is to complete and eSign documents online using fillable templates and a powerful ... The Yellow Wallpaper Active Reading Chart Answers 2020 ... Complete The Yellow Wallpaper Active Reading Chart Answers 2020-2023 online with US Legal Forms. Easily fill out PDF blank, edit, and sign them. 7.9K+ Free Templates for 'Pastor's anniversary' Create free pastor's anniversary flyers, posters, social media graphics and videos in minutes. Choose from 7990+ eye-catching templates to wow your ... Pastor Anniversary Program Template Word ... Pastor Anniversary Program Template, a Word Template and Publisher Template set - 8 pages, Print Size: 11x8.5 inches, bifold to 5.5x8.5 inches, is for church ... Copy of Pastor Anniversary - Pinterest Jun 23, 2019 — Create the perfect design by customizing easy to use templates in MINUTES! Easily convert your image designs into videos or vice versa! Pastoral Anniversary Program Church Program Template, DIY Church Anniversary Program Template, Sunday Service Program template for pastor preacher. (161). \$9.99. Pastor Anniversary Service Program Template Jan 2, 2014 — 16 Pastor Anniversary Service Program Template is for church pastor appreciation or anniversary events. Can also be used for funeral program, ... Pastor Anniversary Flyer Graphics, Designs & Templates Get 423 pastor anniversary flyer graphics, designs & templates on GraphicRiver such as Starlight Pastor Anniversary Flyer Template, Pastor Anniversary Flyer ... Pastor Anniversary Templates Download pastor anniversary program cover digital assets Pastor anniversary-program-cover. Explore 642,674 pastor anniversary program cover ... Church Anniversary Flyer Template. by XtremeFlyers in Templates ... Pastor Anniversary Program Word Publisher ... Pastor Anniversary Program Word Publisher Large Template - 4 pages, bi-fold to 8.5"x11", is for church pastor appreciation or anniversary events.