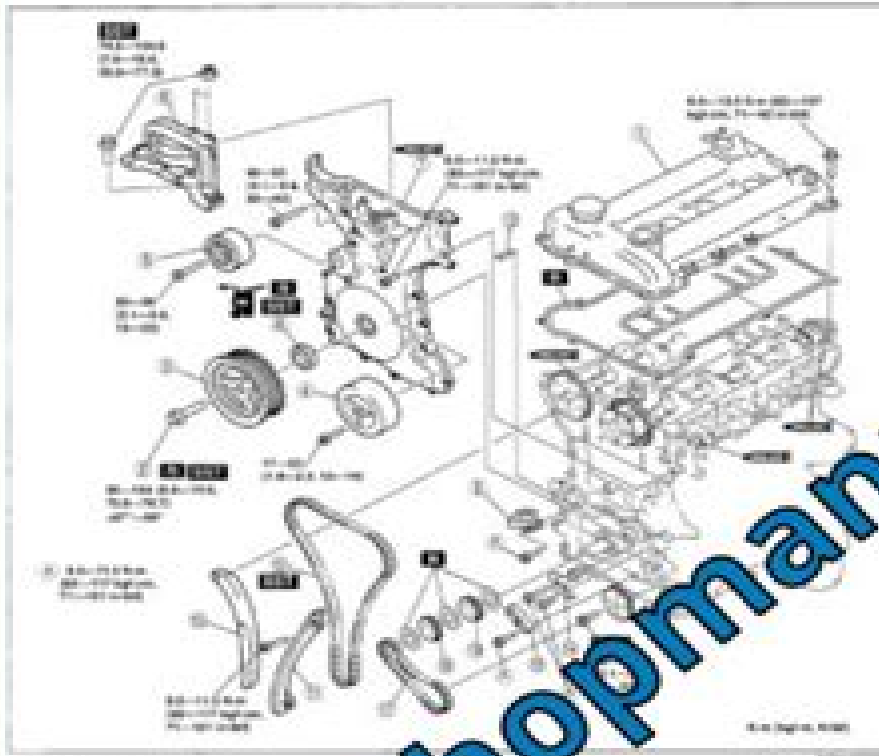


# Mazda 3 2004-2009 Workshop Manual



1	Cylinder head gasket (Mazda) 138-12 Cylinder Head Gasket Removal Note.) (Mazda) 138-13 Cylinder Head Gasket Installation Note.)	12	Oil pump drain gasket (Mazda) 138-15 Oil Pump Drain Gasket Removal Note.) (Mazda) 138-16 Oil Pump Drain Gasket Installation Note.)
2	Compression gully bolt (set) (Mazda) 138-12 Compression Gully Bolt Removal Note.) (Mazda) 138-13 Compression Gully Bolt Installation Note.)	13	Oil pump drain gasket (Mazda) 138-15 Oil Pump Drain Gasket Removal Note.) (Mazda) 138-16 Oil Pump Drain Gasket Installation Note.)
3	Water pump (Mazda) 138-18 Water Pump Removal Note.) (Mazda) 138-19 Water Pump Installation Note.)	14	Oil pump drain gasket (Mazda) 138-15 Oil Pump Drain Gasket Removal Note.) (Mazda) 138-16 Oil Pump Drain Gasket Installation Note.)
4	Timing chain (Mazda) 138-18 Timing Chain Removal Note.) (Mazda) 138-19 Timing Chain Installation Note.)	15	Oil pump drain gasket (Mazda) 138-15 Oil Pump Drain Gasket Removal Note.) (Mazda) 138-16 Oil Pump Drain Gasket Installation Note.)
5	Timing chain sprocket (Mazda) 138-18 Timing Chain Sprocket Removal Note.) (Mazda) 138-19 Timing Chain Sprocket Installation Note.)	16	Oil pump drain gasket (Mazda) 138-15 Oil Pump Drain Gasket Removal Note.) (Mazda) 138-16 Oil Pump Drain Gasket Installation Note.)
6	Timing chain guide (Mazda) 138-18 Timing Chain Guide Removal Note.) (Mazda) 138-19 Timing Chain Guide Installation Note.)	17	Oil pump drain gasket (Mazda) 138-15 Oil Pump Drain Gasket Removal Note.) (Mazda) 138-16 Oil Pump Drain Gasket Installation Note.)
7	Timing chain sprocket (Mazda) 138-18 Timing Chain Sprocket Removal Note.) (Mazda) 138-19 Timing Chain Sprocket Installation Note.)	18	Oil pump drain gasket (Mazda) 138-15 Oil Pump Drain Gasket Removal Note.) (Mazda) 138-16 Oil Pump Drain Gasket Installation Note.)
8	Timing chain guide (Mazda) 138-18 Timing Chain Guide Removal Note.) (Mazda) 138-19 Timing Chain Guide Installation Note.)	19	Oil pump drain gasket (Mazda) 138-15 Oil Pump Drain Gasket Removal Note.) (Mazda) 138-16 Oil Pump Drain Gasket Installation Note.)
9	Timing chain sprocket (Mazda) 138-18 Timing Chain Sprocket Removal Note.) (Mazda) 138-19 Timing Chain Sprocket Installation Note.)	20	Oil pump drain gasket (Mazda) 138-15 Oil Pump Drain Gasket Removal Note.) (Mazda) 138-16 Oil Pump Drain Gasket Installation Note.)
10	Timing chain guide (Mazda) 138-18 Timing Chain Guide Removal Note.) (Mazda) 138-19 Timing Chain Guide Installation Note.)	21	Oil pump drain gasket (Mazda) 138-15 Oil Pump Drain Gasket Removal Note.) (Mazda) 138-16 Oil Pump Drain Gasket Installation Note.)
11	Timing chain sprocket (Mazda) 138-18 Timing Chain Sprocket Removal Note.) (Mazda) 138-19 Timing Chain Sprocket Installation Note.)	22	Oil pump drain gasket (Mazda) 138-15 Oil Pump Drain Gasket Removal Note.) (Mazda) 138-16 Oil Pump Drain Gasket Installation Note.)

26. Install the exhaust manifold gasket.

#### Caution

- Do not tighten the manifold gasket installation bolt at this stage. Verify the gasket fitting before performing the bolt tightening.

26. Install the **BBT** on the camshaft sprocket.
27. Remove the installation bolt from the cover upper blind plug (Mazda) 138-15. **Stroke** the cover upper blind plug to the timing cover, and apply pressure to the timing cover.
28. Rotate the crankshaft sprocket and verify that the timing mark "C" of the compression stroke is aligned with the weight contacts the **BBT**.

29. Tighten the exhaust manifold using a wrench on the **BBT** (Mazda) 138-15, and tighten the sprocket installation bolt.

**Tightening torque**  
 29—75 Nm (2.1—7.3 kgf-m, 21—65 ft-lb)

30. Remove the **BBT** from the camshaft.
31. Remove the **BBT** installed in the cylinder block cover blind plug hole.
32. Rotate the crankshaft clockwise two turns and repeat the cable timing.
33. Apply the stroke weight and install the engine front cover upper blind plug.

**Tightening torque**  
 2.0—11.5 Nm (0.2—1.17 kgf-cm, 21—101 in-lb)

37. Install the cylinder block lower blind plug.

**Tightening torque**  
 14—22 Nm (1.2—2.2 kgf-m, 14—16 ft-lb)

PDF  
 DOWNLOAD

workshopmanuals.org

# Mazda 3 Mazda3 2004 2006 Factory Service Repair Manual

**John Harold Haynes, Trevor G. Hosie**



## **Mazda 3 Mazda3 2004 2006 Factory Service Repair Manual:**

**Lemon-Aid New and Used Cars and Trucks 2007-2017** Phil Edmonston,2017-03-11 Steers buyers through the the confusion and anxiety of new and used vehicle purchases like no other car and truck book on the market Dr Phil along with George Iny and the Editors of the Automobile Protection Association pull no punches **Mazda 3 Automotive Repair Manual, 2004-2011** Jeff Killingsworth,John H. Haynes,2013-01-01 This title provides a total introduction to the maintenance and repair of the Mazda 3 **Mazda3 2004 thru 2011** Editors of Haynes Manuals,2011-09-15 Haynes offers the best coverage for cars trucks vans SUVs and motorcycles on the market today Each manual contains easy to follow step by step instructions linked to hundreds of photographs and illustrations Included in every manual troubleshooting section to help identify specific problems tips that give valuable short cuts to make the job easier and eliminate the need for special tools notes cautions and warnings for the home mechanic color spark plug diagnosis and an easy to use index Mazda3, 2004 to 2011 ,2011 Chilton's Mazda 3 2004-2011 Repair Manual Jeff Killingsworth,2012 Covers U S and Canadian models of Mazda3 **Mazda 323 Service and Repair Manual** Louis LeDoux,1998 3 door Hatchback 4 door Saloon inc special limited editions Does NOT cover 5 door Hatchback Fastback or Estate Petrol 1 3 litre 1324cc 1 5 litre 1489cc 1 6 litre 1598cc 1 8 litre 1840cc 4 cyl fuel injection Does NOT cover 1 3 litre carburettor or 2 0 litre V6 engines *Mazda 323 & Protégé Automotive Repair Manual* Louis LeDoux,John Harold Haynes,2012 **Mazda 323 & Protégé Automotive Repair Manual** Louis LeDoux,2001 **Mazda 323 Service and Repair Manual** Mark Coombs,1996-01-01 Hatchback Saloon Estate inc special limited editions Also covers major features of Estate to May 1991 Does NOT cover DOHC Turbo 4x4 Petrol 1 1 litre 1071cc 1 3 litre 1296 1323cc 1 5 litre 1490 1498cc 1 6 litre 1597cc *Mazda Capella 1600 Service and Repair Manual* , *Mazda MX-5 Miata 1.8 Enthusiast's Workshop Manual* Rod Grainger,2017 This is a phenomenally detailed book which covers the car from bumper to bumper Every detail of important repair and maintenance jobs is covered Covers all Mk1 cars with pop up headlights 1 8 litre models 1994 98 the only aftermarket workshop manual available for the MX 5 written in an easy to use friendly style step by step procedures supported by hundreds of photos covers all aspects of maintenance and repair and applies equally to Eunos Roadster Japanese market model and Mazda Miata US market model Mazda Pick-up Owners Workshop Manual J. H. Haynes,Peter Ward,1976-06-01 **Mazda Pick-up Owners Workshop Manual** John Harold Haynes,Peter Ward,1976 **Mazda 323 Owners Workshop Manual** John S. Mead,1985 **Mazda Miata 1800** Rod Grainger,Pete Shoemark,2000 Following the success and critical acclaim of Veloce s original manual for the MX 5 1 6 Miata 1 6 in USA we ve once again got out hands oily to bring the reader a new manual on the 1 8 model Just like its predecessor this new book is phenomenally detailed covering the car from front bumper to rear tailpipe in an informative helpful and easy to understand manner Every detail of important repair and maintenance jobs is covered including how to overcome problems without resorting to special tools packed with step by step photographs and useful line drawings No

owner can afford to be without his unique manual Mazda 323 Owners Workshop Manual John Harold Haynes,Trevor G. Hosie,1987 **The Child's Play Mazda 3** Arnaud Pauly,2018-01-03 The Child s Play Mazda 3 explains step by step with a picture for each how to do the service of your Mazda 3 It is based on the certainty that everyone can do it if clearly explicated and shown Because it is very simple This manual is suitable for the MAZDA 3 FIRST GENERATION 2003 2007 ENGINE 1 6 L MZ CD COMMON RAIL DIESEL 109 PS 80 KW 240 N M 177 LB FT It contains an accurate list of the tools you need a detailed procedure to do your Mazda 3 service but also to check and replace your brakes pads and discs You will see an example of the service book you should keep up to date and the scheduled maintenance for all the tasks that have to be done to keep your car in the best conditions The main goal is to save money For each maintenance it will cost you from 35e to 50e maximum while it costs more than 200e at your car dealer You save at least 150e per service More than money you save time here We assure you than after the first learning you will not need more than 30 minutes Better than go to the car dealer and wait for two hours The Child s Play Maintenance manuals have the goal to allow anyone to do its car service himself We think your mechanic charge far too much for what it is and we want you to avoid this useless expense The Child s Play Mazda 3 is the first of the serie each manual is specific to a single model location of the parts are different as the way to replace them

**Mazda 323 : Front,wheel,drive:Mar.1981 to oct.1989.1071 cc,1296 cc,1323 cc,1490 cc,1498 cc,1597 cc** Mark Coombs,1992 **Ford Explorer and Mazda Navajo Automotive Repair Manual** Alan Ahlstrand,John Harold Haynes,1995 Describes basic maintenance as well as repair procedures Ford Laser and Mazda 323 Automotive Repair Manual Louis LeDoux,John Harold Haynes,1997 Ford Laser Series KF KH KJ Mazda 323 Astina Protege 1 3L 1 5L 1 6L engines

Thank you very much for downloading **Mazda 3 Mazda3 2004 2006 Factory Service Repair Manual**. Most likely you have knowledge that, people have seen numerous periods for their favorite books later than this Mazda 3 Mazda3 2004 2006 Factory Service Repair Manual, but end up in harmful downloads.

Rather than enjoying a fine eBook taking into consideration a mug of coffee in the afternoon, otherwise they juggled subsequent to some harmful virus inside their computer. **Mazda 3 Mazda3 2004 2006 Factory Service Repair Manual** is understandable in our digital library an online admission to it is set as public so you can download it instantly. Our digital library saves in merged countries, allowing you to get the most less latency era to download any of our books once this one. Merely said, the Mazda 3 Mazda3 2004 2006 Factory Service Repair Manual is universally compatible subsequently any devices to read.

<https://splashdogs.com/About/detail/Documents/ltranger%20prisme%20cultures%20mourad%20ali%20khodja.pdf>

## **Table of Contents Mazda 3 Mazda3 2004 2006 Factory Service Repair Manual**

1. Understanding the eBook Mazda 3 Mazda3 2004 2006 Factory Service Repair Manual
  - The Rise of Digital Reading Mazda 3 Mazda3 2004 2006 Factory Service Repair Manual
  - Advantages of eBooks Over Traditional Books
2. Identifying Mazda 3 Mazda3 2004 2006 Factory Service Repair Manual
  - Exploring Different Genres
  - Considering Fiction vs. Non-Fiction
  - Determining Your Reading Goals
3. Choosing the Right eBook Platform
  - Popular eBook Platforms
  - Features to Look for in a Mazda 3 Mazda3 2004 2006 Factory Service Repair Manual
  - User-Friendly Interface
4. Exploring eBook Recommendations from Mazda 3 Mazda3 2004 2006 Factory Service Repair Manual
  - Personalized Recommendations

- Mazda 3 Mazda3 2004 2006 Factory Service Repair Manual User Reviews and Ratings
- Mazda 3 Mazda3 2004 2006 Factory Service Repair Manual and Bestseller Lists
- 5. Accessing Mazda 3 Mazda3 2004 2006 Factory Service Repair Manual Free and Paid eBooks
  - Mazda 3 Mazda3 2004 2006 Factory Service Repair Manual Public Domain eBooks
  - Mazda 3 Mazda3 2004 2006 Factory Service Repair Manual eBook Subscription Services
  - Mazda 3 Mazda3 2004 2006 Factory Service Repair Manual Budget-Friendly Options
- 6. Navigating Mazda 3 Mazda3 2004 2006 Factory Service Repair Manual eBook Formats
  - ePub, PDF, MOBI, and More
  - Mazda 3 Mazda3 2004 2006 Factory Service Repair Manual Compatibility with Devices
  - Mazda 3 Mazda3 2004 2006 Factory Service Repair Manual Enhanced eBook Features
- 7. Enhancing Your Reading Experience
  - Adjustable Fonts and Text Sizes of Mazda 3 Mazda3 2004 2006 Factory Service Repair Manual
  - Highlighting and Note-Taking Mazda 3 Mazda3 2004 2006 Factory Service Repair Manual
  - Interactive Elements Mazda 3 Mazda3 2004 2006 Factory Service Repair Manual
- 8. Staying Engaged with Mazda 3 Mazda3 2004 2006 Factory Service Repair Manual
  - Joining Online Reading Communities
  - Participating in Virtual Book Clubs
  - Following Authors and Publishers Mazda 3 Mazda3 2004 2006 Factory Service Repair Manual
- 9. Balancing eBooks and Physical Books Mazda 3 Mazda3 2004 2006 Factory Service Repair Manual
  - Benefits of a Digital Library
  - Creating a Diverse Reading Collection Mazda 3 Mazda3 2004 2006 Factory Service Repair Manual
- 10. Overcoming Reading Challenges
  - Dealing with Digital Eye Strain
  - Minimizing Distractions
  - Managing Screen Time
- 11. Cultivating a Reading Routine Mazda 3 Mazda3 2004 2006 Factory Service Repair Manual
  - Setting Reading Goals Mazda 3 Mazda3 2004 2006 Factory Service Repair Manual
  - Carving Out Dedicated Reading Time
- 12. Sourcing Reliable Information of Mazda 3 Mazda3 2004 2006 Factory Service Repair Manual
  - Fact-Checking eBook Content of Mazda 3 Mazda3 2004 2006 Factory Service Repair Manual

- Distinguishing Credible Sources
- 13. Promoting Lifelong Learning
  - Utilizing eBooks for Skill Development
  - Exploring Educational eBooks
- 14. Embracing eBook Trends
  - Integration of Multimedia Elements
  - Interactive and Gamified eBooks

### **Mazda 3 Mazda3 2004 2006 Factory Service Repair Manual Introduction**

Mazda 3 Mazda3 2004 2006 Factory Service Repair Manual Offers over 60,000 free eBooks, including many classics that are in the public domain. Open Library: Provides access to over 1 million free eBooks, including classic literature and contemporary works. Mazda 3 Mazda3 2004 2006 Factory Service Repair Manual Offers a vast collection of books, some of which are available for free as PDF downloads, particularly older books in the public domain. Mazda 3 Mazda3 2004 2006 Factory Service Repair Manual : This website hosts a vast collection of scientific articles, books, and textbooks. While it operates in a legal gray area due to copyright issues, its a popular resource for finding various publications. Internet Archive for Mazda 3 Mazda3 2004 2006 Factory Service Repair Manual : Has an extensive collection of digital content, including books, articles, videos, and more. It has a massive library of free downloadable books. Free-eBooks Mazda 3 Mazda3 2004 2006 Factory Service Repair Manual Offers a diverse range of free eBooks across various genres. Mazda 3 Mazda3 2004 2006 Factory Service Repair Manual Focuses mainly on educational books, textbooks, and business books. It offers free PDF downloads for educational purposes. Mazda 3 Mazda3 2004 2006 Factory Service Repair Manual Provides a large selection of free eBooks in different genres, which are available for download in various formats, including PDF. Finding specific Mazda 3 Mazda3 2004 2006 Factory Service Repair Manual, especially related to Mazda 3 Mazda3 2004 2006 Factory Service Repair Manual, might be challenging as theyre often artistic creations rather than practical blueprints. However, you can explore the following steps to search for or create your own Online Searches: Look for websites, forums, or blogs dedicated to Mazda 3 Mazda3 2004 2006 Factory Service Repair Manual, Sometimes enthusiasts share their designs or concepts in PDF format. Books and Magazines Some Mazda 3 Mazda3 2004 2006 Factory Service Repair Manual books or magazines might include. Look for these in online stores or libraries. Remember that while Mazda 3 Mazda3 2004 2006 Factory Service Repair Manual, sharing copyrighted material without permission is not legal. Always ensure youre either creating your own or obtaining them from legitimate sources that allow sharing and downloading. Library Check if your local library offers eBook lending services. Many libraries have digital catalogs where you can borrow Mazda 3 Mazda3 2004 2006

Factory Service Repair Manual eBooks for free, including popular titles. Online Retailers: Websites like Amazon, Google Books, or Apple Books often sell eBooks. Sometimes, authors or publishers offer promotions or free periods for certain books. Authors Website Occasionally, authors provide excerpts or short stories for free on their websites. While this might not be the Mazda 3 Mazda3 2004 2006 Factory Service Repair Manual full book, it can give you a taste of the authors writing style. Subscription Services Platforms like Kindle Unlimited or Scribd offer subscription-based access to a wide range of Mazda 3 Mazda3 2004 2006 Factory Service Repair Manual eBooks, including some popular titles.

### FAQs About Mazda 3 Mazda3 2004 2006 Factory Service Repair Manual Books

How do I know which eBook platform is the best for me? Finding the best eBook platform depends on your reading preferences and device compatibility. Research different platforms, read user reviews, and explore their features before making a choice. Are free eBooks of good quality? Yes, many reputable platforms offer high-quality free eBooks, including classics and public domain works. However, make sure to verify the source to ensure the eBook credibility. Can I read eBooks without an eReader? Absolutely! Most eBook platforms offer web-based readers or mobile apps that allow you to read eBooks on your computer, tablet, or smartphone. How do I avoid digital eye strain while reading eBooks? To prevent digital eye strain, take regular breaks, adjust the font size and background color, and ensure proper lighting while reading eBooks. What the advantage of interactive eBooks? Interactive eBooks incorporate multimedia elements, quizzes, and activities, enhancing the reader engagement and providing a more immersive learning experience. Mazda 3 Mazda3 2004 2006 Factory Service Repair Manual is one of the best book in our library for free trial. We provide copy of Mazda 3 Mazda3 2004 2006 Factory Service Repair Manual in digital format, so the resources that you find are reliable. There are also many Ebooks of related with Mazda 3 Mazda3 2004 2006 Factory Service Repair Manual. Where to download Mazda 3 Mazda3 2004 2006 Factory Service Repair Manual online for free? Are you looking for Mazda 3 Mazda3 2004 2006 Factory Service Repair Manual PDF? This is definitely going to save you time and cash in something you should think about.

### Find Mazda 3 Mazda3 2004 2006 Factory Service Repair Manual :

~~l~~tranger prisme cultures mourad ali khodja

**m audio oxygen manual**

~~lycoming o 320 h 76 series aircraft engines parts catalog manual~~

luarnar 2015 2016 intake



**lymphatic and immune system study guide**

**luxury guns state tonnage limits**

**lowdermilk maternity nursing 10th edition**

[lufthansa v2500 training manual](#)

**lucent user manual mlx 201**

[ls dyna examples manual](#)

~~lund chut photos wallpapers images~~

*lumix dmc zs10 manual*

*lt1 engine manual*

*lowes hr manager lawsuit 2014 calendar*

~~low salt recipe books~~

**Mazda 3 Mazda3 2004 2006 Factory Service Repair Manual :**

[circular motion and inertia direct physicsclassroom com](#) - May 16 2022

web the curriculum corner contains a complete ready to use curriculum for the high school physics classroom this collection of pages comprise worksheets in pdf format that developmentally target key concepts and mathematics commonly covered in a high school physics curriculum

**circular and satellite motion centripetal force and inertia** - Feb 10 2022

web mission cg3 contains questions that target common misconceptions and improper explanations associated with the sensation of an outward pull on an object moving in a circle or along a curved path

*circular and satellite motion centripetal force and inertia* - Sep 19 2022

web the physics classroom circular motion unit lesson 1 part c what path would an object take if it quit moving in a circle what is inertia how does inertia have to do with the motion of objects in circles what is this so called centrifugal force what does centripetal force mean how is it important

[circular motion definition formula examples solved problems](#) - Aug 31 2023

web solution from the laws of motion in the case of rotational motion we know that  $\omega = \omega_0 + \alpha t$  from the given data  $\omega_0 = 900 \text{rpm}$   
 $900 \times 2\pi / 60 \text{ rad s}$   $\omega_0 = 0$  and  $t = 60 \text{s}$  hence angular deceleration  $\alpha = \pi / 2$  question 3 a bus is moving in a circular track of radius 1000cm with a speed of 10m s

**ncert class 11 circular motion examples types and** - Jun 28 2023

web circular motion examples the motion of a car on a level road let us assume a car is moving on a level road with mass m

and  $g$  as the acceleration due to gravity acting upon it when the car is taking a turn on the road a total of three forces act simultaneously on the car the weight of the car  $mg$

**inertia and circular motion the physics classroom** - May 28 2023

web inertia and circular motion how can you explain the sensation of there being an outward force when you move along a curved path in a car or an amusement park ride a commonly held belief by beginning physics students is that objects moving in circles experience a centrifugal outward force

**4 2 newton s first law of motion inertia physics openstax** - Apr 26 2023

web newton s first law of motion states the following a body at rest tends to remain at rest a body in motion tends to remain in motion at a constant velocity unless acted on by a net external force recall that constant velocity means that the body moves in a straight line and at a constant speed

*class 11 physics rotational and circular motion chapter 4 inertia* - Dec 23 2022

web banking curve orbital velocity class 11 physics new book rotational and circular motionclass 11 physics chapter 4 rotational and circular motionclass 11

*6 2 uniform circular motion physics openstax* - Mar 26 2023

web the simplest case of circular motion is uniform circular motion where an object travels a circular path at a constant speed note that unlike speed the linear velocity of an object in circular motion is constantly changing because it is always changing direction

**physics classroom circular motion and inertia** - Nov 21 2022

web mains and advanced or neet or cbse exams this physics ebook will really help you to master this chapter completely in all aspects it is a collection of adaptive physics problems in rotational motion for sat physics ap physics 11 grade physics iit jee mains and advanced neet olympiad level book series volume 09 this physics

[circular motion and inertia the physics classroom](#) - Jul 30 2023

web circular motion and inertia read from lesson 1 of the circular and satellite motion chapter at the physics classroom physicsclassroom com class circles u6l1c html physicsclassroom com class circles u6l1d html mop connection

**inertia definition laws of inertia types examples video and** - Feb 22 2023

web physics introduction to motion law of inertia law of inertia kinematics in the world of physics sir isaac newton is the man who pioneered classical physics with his laws of motion in these laws the first law is also known as the law of inertia law of inertia is the most important and renowned one

**circular motion and inertia the physics classroom** - Oct 01 2023

web case studies circular motion circular logic forces and free body diagrams in circular motion gravitational field strength

universal gravitation rotation and balance angular position and displacement linear and angular velocity angular acceleration torque rotational inertia balanced vs unbalanced torques getting a handle on

[circular motion complete toolkit physics classroom](#) - Jan 24 2023

web the physics classroom uniform circular motion this simulation allows the user to alter the radius and speed of an object moving in uniform circular motion to see the effect upon acceleration and force the direction of the velocity and

*physics video tutorial inertia and circular motion* - Jun 16 2022

web this video tutorial lesson utilizes the concept of inertia and newton s first law to explain why a person making a high speed turn experiences a sensation of being pulled outward and away from the center of the circle numerous examples illustrations animations and demonstrations assist in the explanations

[physics simulation vertical circle simulation](#) - Mar 14 2022

web teaching ideas and suggestions this interactive is intended for use near the early to middle stages of a learning cycle on circular motion the interactive simulates four examples of an object moving in a vertical circle the motion of a ball suspended from the end of a light string and whirled in a vertical circle

**physics video tutorial inertia and circular motion** - Oct 21 2022

web the inertia and circular motion video tutorial utilizes the concept of inertia and newton s first law to explain why a person making a high speed turn experiences a sensation of being pulled outward and away from the center of the circle numerous examples illustrations animations and demonstrations assist in the explanations

*inertia and circular motion video tutorial* - Apr 14 2022

web this video tutorial lesson utilizes the concept of inertia and newton s first law to explain why a person making a high speed turn experiences a sensation of being pulled outward and away from the center of the circle numerous examples illustrations animations and demonstrations assist in the explanations

*circular and satellite motion centripetal force and inertia* - Jul 18 2022

web circular and satellite motion centripetal force and inertia circular and satellite motion mission cg3 detailed help an eraser is tied to a string and held by a physics teacher the eraser is whirled in a circle at constant speed a god s eye view of the circle is shown in the diagrams below

[minds on physics circular and satellite motion the physics classroom](#) - Aug 19 2022

web the circular and satellite motion module consists of 10 missions assignments that address such topics as tangential velocity centripetal acceleration centripetal force inertia the mathematics of circular motion satellite motion universal gravitation gravitational acceleration weightlessness and kepler s laws of planetary motion

*macromolecules webquest mrs moody biology classes* - Mar 30 2022

web macromolecules webquest i go to chem4kids com click on biochemistry read the introduction then proceed with the button next stop on tour move from macromolecule to macromolecule by clicking on the words near the top left of the window ii answer all questions with complete sentences on a separate sheet of lined paper

[macromolecule webquest studylib net](#) - Mar 10 2023

web name period date webquest macromolecules procedure 1 you will share one laptop between you and your partner 2 log on with either your or your lab partner s login information remember you and your partner need to turn in individual answer sheets written in your own words 5 your paper should have bold heading

**macromolecules webquest worksheet answers pdf course hero** - Dec 27 2021

web view homework help macromolecules webquest worksheet answers pdf from mathematics ab at central high freshman academy macromolecules webquest worksheet answers if you ally compulsion such a

[macromolecule webquest pdf lipid macromolecules scribd](#) - Jul 02 2022

web macromolecule webquest 40 pts directions the next chapter we will be learning about 4 different organic compounds found in our bodies called macromolecules these compounds include carbohydrates lipids proteins and nucleic acids today we will be using a variety of resources to learn about each of the four organic compounds

**macromolecules webquest answer key answers for 2023 exams** - Feb 26 2022

web 6163 macromolecules webquest answer key checked 1148 kb s 6909 macromolecule webquest key pdf answer key course hero what are the four main classes of macromolecules 1 carbon 2 lipids 3 proteins 4 amino acids 1 carbon 2 lipids 3 proteins 4 amino acids carbohydrates tab 26 what are two important functions of

[macromolecule webquest teaching resources tpt](#) - Apr 30 2022

web what are monomers and polymers students will explore and master the world of macromolecules in this fun interactive and effective macromolecules webquest students will complete this 17 question editable student handout as they interact with the websites answer key is included as well

[macromolecules webquest as you watch answer the following](#) - Aug 15 2023

web macromolecules webquest as you watch answer the following questions full studocu macromolecules webquest name task one introduction to biomolecules also known as macromolecules use the link below to watch the biomolecules video by the amoeba sisters as you watch answer the

[macromolecule webquest spartans mrs hatcher biology class](#) - Sep 04 2022

web sep 4 2021 mrs hatcher biology class macromolecules web quest i go to read the introduction then proceed with the button quot next chem4kids click on biochemistryop on tour quot move from macromolecule to macromolecule by clicking on thethe window words near the top left of ii please highlight all answers or points will be deducted

[macromolecules webquest teaching resources teachers pay teachers](#) - Jan 08 2023

web 137 6 99 zip google apps webquests editable ms word pdf and google slides versions included students will learn about the four major macromolecules and apply their knowledge in this interactive macromolecules webquest no prior knowledge of organic molecules is necessary

**macromolecules webquest biomolecules organic compounds webquest tpt** - Aug 03 2022

web students will learn about the four major macromolecules and apply their knowledge in this interactive macromolecules webquest no prior knowledge of organic molecules is necessary you get an easy no prep attractive and interactive activity that introduces and teaches your students about biomolecules and they will apply their knowledge

**macromolecule webquest key pdf answer key macromolecules webquest** - Jul 14 2023

web answer the questions as you move through the animation works best with firefox browser tiny url tinyurl com gqzpfw full url resource rockyview ab ca t4t bio20 mm m7 hydrolysis bio20 hydrolysis final swf 42

[science is real teaching resources teachers pay teachers tpt](#) - Nov 06 2022

web editable ms word pdf and google slides versions included students will learn about the four major macromolecules and apply their knowledge in this interactive macromolecules webquest no prior knowledge of organic molecules is necessary

[macromolecules mr rott s science room](#) - May 12 2023

web macromolecules introduction webquest properties of water lab carbohydrate model building is it protein or lipid mello jello lab understanding ph peppermint candy lab carbohydrate reading carbohydrate reading assignment you are what you eat beano lab organic compound mystery introduction organic compound mystery diet

*molecules webquest answer key notes name chloe abrams macromolecules* - Jan 28 2022

web part 1 macromolecules tutorial here you will click through a series of four tutorials about the four major types of macromolecules use the website listed below to answer the following questions a open the website 20tutorials at0202 at 0202 carbs lipids html b start by reading the introduction 1 what are the four main types of

**macromolecules webquest hazleton area high school** - Oct 05 2022

web macromolecules webquest go to chem4kids com click on biochemistry read the introduction then proceed with the button next stop on tour move from macromolecule to macromolecule by clicking on the words near the top left of the window answer all questions with complete sentences on a separate sheet of lined paper

[macromolecules webquest answer key studyres](#) - Feb 09 2023

web macromolecules webquest answer key macromolecules webquest answer key basic biochemistry webquest points 81 general webquest directions open a word document put your name date and period at the top then cut paste each topic overview and learning objectives students start with images of living organisms from bacteria to

*macromolecules webquest flashcards quizlet* - Apr 11 2023

web terms in this set 20 large molecules biomolecules what is food a source of building block the parts that make up substances what is a monomer the building molecules of life what are biomolecules carbs carbohydrates are a very important source of

**answer key macromolecules webquest docslib** - Jun 13 2023

web answer key macromolecules webquest rating rating before learning scale after 4 i can teach others about the structure function and examples of macromolecules i can teach about monomers and polymers 3 i can classify macromolecule according to their structure and function

*intro to macromolecules worksheet odt macromolecules webquest* - Jun 01 2022

web macromolecules webquest part a what is a macromolecule you can find the answers here 1 what are the four macromolecules carbohydrates proteins lipids and nucleic acid

**macromolecules webquest** - Dec 07 2022

web macromolecules webquest part 1 macromolecules tutorial here you will click through a series of four tutorials about the four major types of macromolecules use the website listed below to answer the following questions a open the website bcs whfreeman com thelifewire content chp03 0302002 html

*from hell master edition hardcover 14 july 2020 amazon co uk* - Jan 14 2023

web jul 14 2020 the award winning bestseller from hell often ranked among the greatest graphic novels of all time takes on haunting new dimensions in from hell master edition enhanced with impressionistic hues by eddie campbell himself

[from hell master edition moore alan campbell eddie](#) - Aug 09 2022

web in this remarkable new edition the award winning bestseller from hell now features astonishing colors by eddie campbell jack is back and this time the blood is red experience from hell as never before fully restored and in color for the first time five unsolved murders two of the greatest creators in the history of comics

**from hell master edition by alan moore 9781603094696** - Sep 22 2023

web about from hell master edition meet the most notorious serial killer of all time jack the ripper and meet the vast and vibrant communities of victorian london where his foul deeds gave birth to the modern era in this remarkable new edition the award winning bestseller from hell now features astonishing colors by eddie campbell

**from hell master edition comic readcomiconline** - Apr 05 2022

web from hell master edition genres crime historical horror literature supernatural publisher top shelf productions writer alan moore artist eddie campbell publication date october 10 2018 status completed views 273 414 bookmark jack is back and this time the blood is red

*from hell master edition 1 by alan moore goodreads* - Mar 16 2023

web oct 10 2018 *from hell master edition 1 alan moore eddie campbell artist 4 23 35 ratings4 reviews jack is back and this time the blood is red my all time favorite graphic novel an immense majestic work about the jack the ripper murders the dark victorian world they happen in and the birth of the 20th century warren ellis entertainment*

**from hell master edition kindle edition amazon in** - Sep 10 2022

web the award winning bestseller from hell often ranked among the greatest graphic novels of all time takes on haunting new dimensions in from hell master edition enhanced by impressionistic hues and revisions by eddie campbell himself along with all the original annotations by alan moore part of series from hell master edition print

from hell master edition youtube - Jun 07 2022

web dec 28 2020 *marcus lim 4 64k subscribers subscribe 216 8 4k views 2 years ago buy on amazon amzn to 3ptu1u9 this perennial classic by alan moore and eddie campbell is now presented in full color*

from hell master edition hardcover 15 september 2020 - Jun 19 2023

web hello sign in account lists returns orders cart

**from hell on steam** - Mar 04 2022

web from hell is an arcade style action roguelike focused on movement and build paths players begin with 20 minutes and must within that time acquire enough power to slay the king 24 weapons to choose from blessed forms of weapons to discover 6 temporary power ups 6 heroic bosses to slay steam achievements

from hell master edition 6 by alan moore goodreads - Jul 08 2022

web jul 1 2019 *the award winning bestseller from hell often ranked among the greatest graphic novels of all time takes on haunting new dimensions in from hell the master edition enhanced with impressionistic hues by eddie campbell himself a 72 page full color prestige format comic book 6 5 8 x 10 1 8*

from hell master edition kindle comixology amazon com - May 18 2023

web sep 30 2020 *the award winning bestseller from hell often ranked among the greatest graphic novels of all time takes on haunting new dimensions in from hell master edition enhanced by impressionistic hues and revisions by eddie campbell himself along with all the original annotations by alan moore part of series from hell*

**from hell master edition by alan moore goodreads** - Aug 21 2023

web the award winning bestseller from hell often ranked among the greatest graphic novels of all time takes on haunting new dimensions in from hell master edition enhanced by impressionistic hues and revisions by eddie campbell himself along with all the original annotations by alan moore

**from hell master edition alan moore google books** - Feb 15 2023

web the award winning bestseller from hell often ranked among the greatest graphic novels of all time takes on haunting new dimensions in from hell master edition enhanced by impressionistic hues and revisions by eddie campbell himself along with all the original annotations by alan moore

**a review of from hell master edition from alan moore eddie** - May 06 2022

web oct 31 2020 49 99 a panel from from hell b w chapter 09 page 56 upon release of from hell their gory decade long saga of the whitechapel murders that plagued london in the late 19th century alan moore and eddie campbell could be forgiven for bringing an incomplete masterpiece into the world

from hell master edition hardcover barnes noble - Nov 12 2022

web sep 15 2020 meet the most notorious serial killer of all time jack the ripper and meet the vast and vibrant

**from hell master edition amazon com** - Oct 23 2023

web sep 15 2020 the award winning bestseller from hell often ranked among the greatest graphic novels of all time takes on haunting new dimensions in from hell master edition enhanced with impressionistic hues by eddie campbell himself read more part of series from hell master edition

**from hell master edition series by alan moore goodreads** - Jul 20 2023

web book 1 from hell master edition 1 by alan moore 4 21 34 ratings 4 reviews 1 edition jack is back and this time the blood is red my want to read rate it book 2 from hell master edition 2 by alan moore 4 24 25 ratings 2 reviews 2 editions what doth the lord require of thee blackmail an want to read rate it book 3

**from hell master edition kindle comixology amazon com au** - Dec 13 2022

web the award winning bestseller from hell often ranked among the greatest graphic novels of all time takes on haunting new dimensions in from hell master edition enhanced by impressionistic hues and revisions by eddie campbell himself along with all the original annotations by alan moore

**from hell wikipedia** - Apr 17 2023

web master edition isbn 1603094695 from hell is a graphic novel by writer alan moore and artist eddie campbell originally published in serial form from 1989 to 1998

**from hell master edition by moore alan amazon ca** - Oct 11 2022

web in this remarkable new edition the award winning bestseller from hell now features astonishing colors by eddie campbell jack is back and this time the blood is red experience from hell as never before fully restored and in color for the first time five unsolved murders