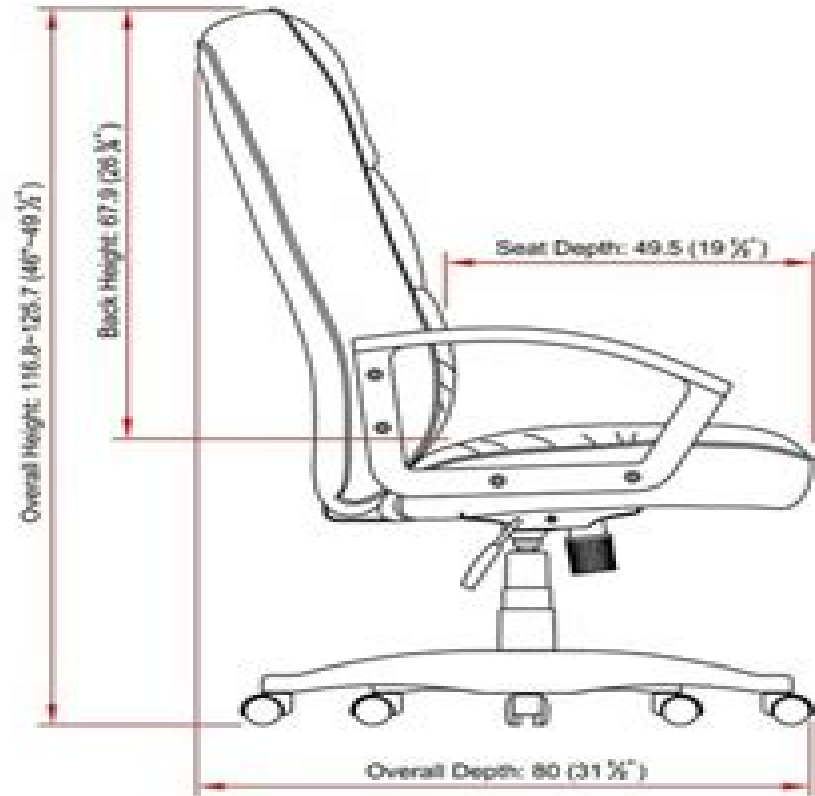
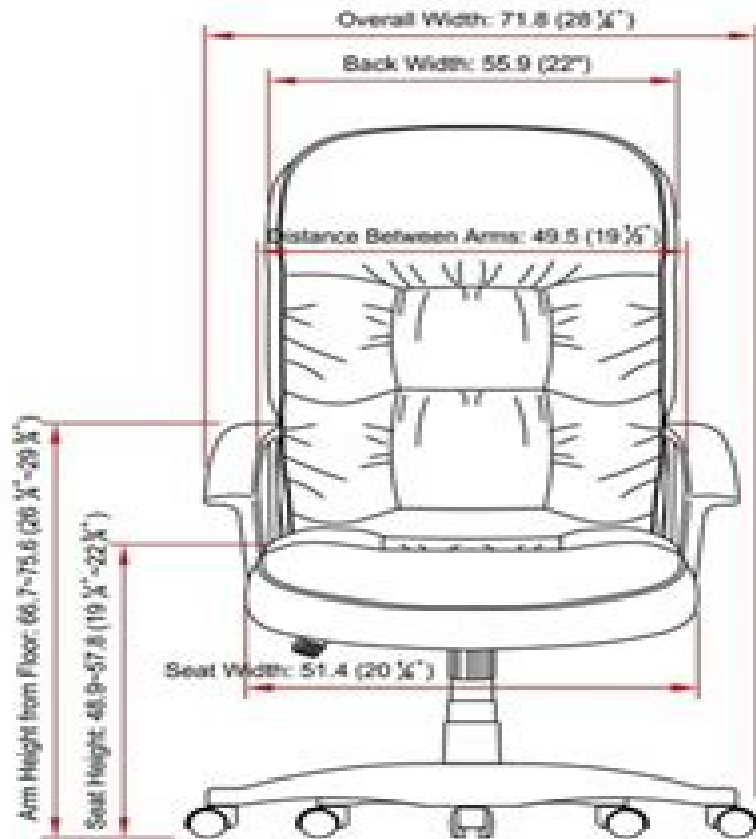


SKU#: LLR60116

Date: 5/22/2024

Unit: cm(inch)



Lorell 60116 Chair User Guide

EW Minium



Lorell 60116 Chair User Guide:

Immerse yourself in the artistry of words with Crafted by is expressive creation, Immerse Yourself in **Lorell 60116 Chair User Guide** . This ebook, presented in a PDF format (PDF Size: *), is a masterpiece that goes beyond conventional storytelling. Indulge your senses in prose, poetry, and knowledge. Download now to let the beauty of literature and artistry envelop your mind in a unique and expressive way.

https://splashdogs.com/data/Resources/Download_PDFS/Harry%20Putter%20And%20The%20Chamber%20Of%20Cheesecakes%20English%20Edition.pdf

Table of Contents Lorell 60116 Chair User Guide

1. Understanding the eBook Lorell 60116 Chair User Guide
 - The Rise of Digital Reading Lorell 60116 Chair User Guide
 - Advantages of eBooks Over Traditional Books
2. Identifying Lorell 60116 Chair User Guide
 - Exploring Different Genres
 - Considering Fiction vs. Non-Fiction
 - Determining Your Reading Goals
3. Choosing the Right eBook Platform
 - Popular eBook Platforms
 - Features to Look for in an Lorell 60116 Chair User Guide
 - User-Friendly Interface
4. Exploring eBook Recommendations from Lorell 60116 Chair User Guide
 - Personalized Recommendations
 - Lorell 60116 Chair User Guide User Reviews and Ratings
 - Lorell 60116 Chair User Guide and Bestseller Lists
5. Accessing Lorell 60116 Chair User Guide Free and Paid eBooks
 - Lorell 60116 Chair User Guide Public Domain eBooks
 - Lorell 60116 Chair User Guide eBook Subscription Services

- Lorell 60116 Chair User Guide Budget-Friendly Options
- 6. Navigating Lorell 60116 Chair User Guide eBook Formats
 - ePub, PDF, MOBI, and More
 - Lorell 60116 Chair User Guide Compatibility with Devices
 - Lorell 60116 Chair User Guide Enhanced eBook Features
- 7. Enhancing Your Reading Experience
 - Adjustable Fonts and Text Sizes of Lorell 60116 Chair User Guide
 - Highlighting and Note-Taking Lorell 60116 Chair User Guide
 - Interactive Elements Lorell 60116 Chair User Guide
- 8. Staying Engaged with Lorell 60116 Chair User Guide
 - Joining Online Reading Communities
 - Participating in Virtual Book Clubs
 - Following Authors and Publishers Lorell 60116 Chair User Guide
- 9. Balancing eBooks and Physical Books Lorell 60116 Chair User Guide
 - Benefits of a Digital Library
 - Creating a Diverse Reading Collection Lorell 60116 Chair User Guide
- 10. Overcoming Reading Challenges
 - Dealing with Digital Eye Strain
 - Minimizing Distractions
 - Managing Screen Time
- 11. Cultivating a Reading Routine Lorell 60116 Chair User Guide
 - Setting Reading Goals Lorell 60116 Chair User Guide
 - Carving Out Dedicated Reading Time
- 12. Sourcing Reliable Information of Lorell 60116 Chair User Guide
 - Fact-Checking eBook Content of Lorell 60116 Chair User Guide
 - Distinguishing Credible Sources
- 13. Promoting Lifelong Learning
 - Utilizing eBooks for Skill Development
 - Exploring Educational eBooks
- 14. Embracing eBook Trends

- Integration of Multimedia Elements
- Interactive and Gamified eBooks

Lorell 60116 Chair User Guide Introduction

In this digital age, the convenience of accessing information at our fingertips has become a necessity. Whether its research papers, eBooks, or user manuals, PDF files have become the preferred format for sharing and reading documents. However, the cost associated with purchasing PDF files can sometimes be a barrier for many individuals and organizations. Thankfully, there are numerous websites and platforms that allow users to download free PDF files legally. In this article, we will explore some of the best platforms to download free PDFs. One of the most popular platforms to download free PDF files is Project Gutenberg. This online library offers over 60,000 free eBooks that are in the public domain. From classic literature to historical documents, Project Gutenberg provides a wide range of PDF files that can be downloaded and enjoyed on various devices. The website is user-friendly and allows users to search for specific titles or browse through different categories. Another reliable platform for downloading Lorell 60116 Chair User Guide free PDF files is Open Library. With its vast collection of over 1 million eBooks, Open Library has something for every reader. The website offers a seamless experience by providing options to borrow or download PDF files. Users simply need to create a free account to access this treasure trove of knowledge. Open Library also allows users to contribute by uploading and sharing their own PDF files, making it a collaborative platform for book enthusiasts. For those interested in academic resources, there are websites dedicated to providing free PDFs of research papers and scientific articles. One such website is Academia.edu, which allows researchers and scholars to share their work with a global audience. Users can download PDF files of research papers, theses, and dissertations covering a wide range of subjects. Academia.edu also provides a platform for discussions and networking within the academic community. When it comes to downloading Lorell 60116 Chair User Guide free PDF files of magazines, brochures, and catalogs, Issuu is a popular choice. This digital publishing platform hosts a vast collection of publications from around the world. Users can search for specific titles or explore various categories and genres. Issuu offers a seamless reading experience with its user-friendly interface and allows users to download PDF files for offline reading. Apart from dedicated platforms, search engines also play a crucial role in finding free PDF files. Google, for instance, has an advanced search feature that allows users to filter results by file type. By specifying the file type as "PDF," users can find websites that offer free PDF downloads on a specific topic. While downloading Lorell 60116 Chair User Guide free PDF files is convenient, its important to note that copyright laws must be respected. Always ensure that the PDF files you download are legally available for free. Many authors and publishers voluntarily provide free PDF versions of their work, but its essential to be cautious and verify the authenticity of the source before downloading Lorell 60116 Chair User Guide. In conclusion, the

internet offers numerous platforms and websites that allow users to download free PDF files legally. Whether its classic literature, research papers, or magazines, there is something for everyone. The platforms mentioned in this article, such as Project Gutenberg, Open Library, Academia.edu, and Issuu, provide access to a vast collection of PDF files. However, users should always be cautious and verify the legality of the source before downloading Lorell 60116 Chair User Guide any PDF files. With these platforms, the world of PDF downloads is just a click away.

FAQs About Lorell 60116 Chair User Guide Books

How do I know which eBook platform is the best for me? Finding the best eBook platform depends on your reading preferences and device compatibility. Research different platforms, read user reviews, and explore their features before making a choice. Are free eBooks of good quality? Yes, many reputable platforms offer high-quality free eBooks, including classics and public domain works. However, make sure to verify the source to ensure the eBook credibility. Can I read eBooks without an eReader? Absolutely! Most eBook platforms offer web-based readers or mobile apps that allow you to read eBooks on your computer, tablet, or smartphone. How do I avoid digital eye strain while reading eBooks? To prevent digital eye strain, take regular breaks, adjust the font size and background color, and ensure proper lighting while reading eBooks. What the advantage of interactive eBooks? Interactive eBooks incorporate multimedia elements, quizzes, and activities, enhancing the reader engagement and providing a more immersive learning experience. Lorell 60116 Chair User Guide is one of the best book in our library for free trial. We provide copy of Lorell 60116 Chair User Guide in digital format, so the resources that you find are reliable. There are also many Ebooks of related with Lorell 60116 Chair User Guide. Where to download Lorell 60116 Chair User Guide online for free? Are you looking for Lorell 60116 Chair User Guide PDF? This is definitely going to save you time and cash in something you should think about.

Find Lorell 60116 Chair User Guide :

harry putter and the chamber of cheesecakes english edition

harris analytical chemistry solutions manual

hayes chilton repair manual nissan quest rar

hasil seleksi osn kabupaten kebumen 2015

[harrison lathe owners manual model 400](#)

harper lee to kill a mockingbird [audio book]

harman kardon sixty speakers owners manual

hasil pendaftaran sma 1 pare

harman kardon hk330b receivers owners manual

hasil osn sma tingkat provinsi jawa barat 2015

haulotte manual ha 16 px

hatco 3cs heaters owners manual

hasil osn sma kabupaten semarang 2015

hasil un smp kab kebumen 2015

hasil osp jawa barat tingkat sma tahun 2015

Lorell 60116 Chair User Guide :

reagan and gorbachev shutting the cold war down brookings - Aug 01 2023

web aug 1 2004 region europe russia review of jack f matlock jr s book reagan and gorbachev how the cold war ended

ronald reagan was widely eulogized for having won the cold war liberated eastern

gorbachev and reagan a friendship that ended the cold war - Apr 28 2023

web sep 1 2022 t t 20 mikhail gorbachev stepped onto a washington street and began shaking hands to cheers and applause

in 1990 a bit of unaccustomed political showmanship worthy of his friend ronald reagan ana maria guzman was in the park

on her lunch break that may when she saw the soviet leader who died on tuesday at 91

reagan and gorbachev how the cold war ended google books - Jan 26 2023

web jul 20 2004 in reagan and gorbachev jack f matlock jr a former u s ambassador to the u s s r and principal adviser to

ronald reagan on soviet and european affairs gives an eyewitness account of

gorbachev and reagan a friendship that ended the cold war france 24 - Mar 28 2023

web sep 1 2022 gorbachev and reagan a friendship that ended the cold war washington afp mikhail gorbachev stepped onto

a washington street and began shaking hands to cheers and applause in 1990

reagan and gorbachev how the cold war ended amazon com - May 30 2023

web paperback november 8 2005 in reagan and gorbachev jack f matlock jr a former u s ambassador to the u s s r and

principal adviser to ronald reagan on soviet and european affairs gives an eyewitness account of how the cold war ended

reagan and gorbachev how the cold war ended foreign affairs - Feb 24 2023

web sep 1 2004 reagan and gorbachev how the cold war ended by jack f matlock jr random house 2004 384 pp buy the book

reviewed by robert legvold september october 2004 published on september 1 2004

partner you should make a good resume as this will give you
[create marriage biodata for boy download in pdf format](#) - Jun 20 2022

web if you do not know how to form follow the complete guide to creative perfect biodata for marriage download 120 biodata
format on marriage in word pdf to establish

latest marriage biodata formats in word pdf free - Apr 30 2023

web key features biodata formats samples for both male and female are available on page on page you can mix these formats
with biodata backgrounds font styles to

[free marriage biodata format download biodata for](#) - Jan 28 2023

web a complete guide and view of biodata for marriage for both boy and girl and a free download of word document biodata
format for marriage and marriage biodata

[11 hindu marriage biodata format word pdf free download](#) - Nov 13 2021

10 marriage biodata format in word and pdf - Aug 03 2023

web free download marriage biodata format biodata maker create and download your marriage biodata for free customize it
with extra fields photos and colors you can

hind marriage biodata format download word pdf - Dec 15 2021

marriage biodata format sample template boy girl - Jul 22 2022

web customised premium order english hindi download word docx file biodata word file docx is same as product image
shown with hd resolution easily editable on computer

[download marriage biodata format pdf word and images](#) - Jan 16 2022

latest biodata format for marriage doc 7 free samples for - Apr 18 2022

download 20 free marriage biodata format word pdf - Feb 26 2023

web may 8 2023 download the latest biodata format for marriage doc word file download marriage biodata in word doc
marriage biodata format boy royal blue

[latest marriage biodata format boy free download 2022 milan](#) - Feb 14 2022

[free biodata templates for marriage and job format zety](#) - Jun 01 2023

web aug 24 2023 [free download marriage biodata format in word and pdf hindu muslim marathi tamil formats perfect biodata format for marriage for girls and boys](#)

latest biodata format for marriage doc 7 free samples for - Aug 23 2022

web we provide two options 1st option download the word file of the marriage biodata format boy by paying a minimal charge easily edit on mobile and computer on a word or

[marriage biodata template pdf templates jotform](#) - Dec 27 2022

web fill the below marriage bio data form and you will be able to download the boy marriage biodata in pdf format within seconds if you have any queries mail us at

marriage biodata format download free biodata for marriage - Sep 23 2022

web sep 25 2021 [latest biodata format for marriage in phrase doc 2 latest biodata format for marriage for boy s with spiritual symbols indu marriage biodata format](#)

[free download marriage biodata format biodata maker](#) - Jul 02 2023

web a marriage biodata format for boy is a document that provides prospective partners and their families with an overview of the boy s personal professional family and contact

[perfect biodata format for marriage for girls and boys download](#) - Mar 18 2022

[doc victoria chemicals case a ahmed malik](#) - Dec 31 2022

web victoria chemicals plc b case solution victoria chemicals plc b case analysis victoria chemicals plc b case study solution alternative solution by adjusting the firm s cost of capital from 10 to 7 which results in more accurate the expected net present value of rotterdam

victoria chemicals plc b case study solution for harvard hbr - Oct 29 2022

web oct 22 2023 [victoria chemicals is considering a plan to modernize its merseyside plant which was built in 1967 and is more labour intensive and therefore costlier to run than the plants of competitors the upgrade is currently going through the capital budgeting process and is running into a number of pitfalls](#)

[victoria chemicals case study case study solution analysis](#) - Mar 22 2022

3 case study 24 victoria chemicals plc a the - Mar 02 2023

web victoria chemicals case study victoria chemicals is one of the leading producers of polypropelene a polymer that is used in many products ranging from carpet fibers automobile automobile components packaging film and more when victoria chemicals started up in 1967 they built two plants one in merseyside england and one in

[case analysis victoria chemicals plc a the](#) - Nov 29 2022

web in the case victoria chemicals a fictional company were under the pressure of its investors to improve its performance as the earnings per shares eps has decreased from 250 pence in 2006 to 180 pence in 2007 victoria chemicals is a producer of polypropylene that has two factories in merseyside works and rotterdam holland

victoria chemicals case study free essay example - Jul 06 2023

web victoria chemicals plc a merseyside project 1 introduction the case presents a chemicals company victoria chemicals vc involved in the production of polypropylene a polymer used in variety of products and is based in united kingdom through its subsidiary called intermediate chemicals group icg

victoria chemicals plc a the merseyside project case study - Aug 27 2022

web step 1 reading up harvard case study method guide case study method guide is provided to students which determine the aspects of problem needed to be considered while analyzing a case study it is very important to have a thorough reading and understanding of guidelines provided

[victoria chemicals plc a by jessica chen prezi](#) - Sep 08 2023

web apr 24 2016 victoria chemicals is a major competitor in the worldwide chemical industry they are a leading producer of polypropylene which is a polymer used in products such as medical products and automobile components victoria chemicals started up in 1967 when they built two plants one in merseyside england and one in rotterdam

[victoria chemicals case study case study template](#) - Sep 27 2022

web group paper analysis team 4 4 22 2010 victoria chemicals b group case study introduction victoria chemicals intermediate chemicals group icg is evaluating two mutually exclusive proposals on their capital expenditures the liverpool and rotterdam plants have compiled separate proposals

[victoria chemicals case study solution case study 1](#) - Aug 07 2023

web victoria chemicals plc a the merseyside project should enhance the value creating activities within its value chain victoria chemicals plc a the merseyside project should invest in its stars and cash cows while getting rid of

[victoria chemicals case study 1829 words studymode](#) - Feb 18 2022

[victoria chemicals is considering a plan case study](#) - May 24 2022

web case study victoria chemicals plc a the merseyside project this report is a case study of a chemical corporationâ s project for capital budgeting

victoria chemicals plc b harvard case solution analysis - Jul 26 2022

web victoria chemicals case study i introduction victoria chemicals is one of the leading producers of polypropelene a

polymer that is used in many products ranging from carpet fibers automobile automobile components packaging film and more

[victoria chemicals case study essay](#) - Nov 17 2021

victoria chemicals case analysis 1349 words studymode - Jun 24 2022

web case analysis victoria chemicals plc introduction the case is about the different ways through which victoria chemicals plc can fund the modernization of the merseyside works project from the corporate headquarters in order to improve its financial performance in order to increase its earnings per share

victoria chemicals plc a the merseyside case solution - Oct 09 2023

web victoria chemicals plc a the merseyside project case solution this victoria chemicals plc a the merseyside project case study focuses on the project evaluation of a planned improvement of a polypropylene production plant robert f bruner

case analysis victoria chemicals plc a - Apr 03 2023

web victoria chemical is the major player in the chemical industry producing polypropylene victoria chemicals have two plants which produce polypropylene one plant is located in mersey side and another plant is located at rotterdam

solution victoria chemicals plc case study studypool - Dec 19 2021

victoria chemicals 1801 words bartleby - Apr 22 2022

web apr 24 2016 victoria chemicals case study introduction victoria chemicals is a major competitor in the worldwide chemical industry they are a leading producer of polypropylene which is a polymer used in products such as medical products and automobile components

victoria chemicals merseyside project case solution - May 04 2023

web the company was facing a lot of financial problems and it was pressurized from its major shareholders as the company's eps was declining and fell to 180 pence from 250 pence in the last year in addition the company was facing issues in its manufacturing facilities which were that the plant was running at its capacity and that the plant was made

[victoria chemicals plc a the merseyside project case analysis](#) - Jun 05 2023

web one case uva f 1543 provides an assessment of go no go project for improvement of a polypropylene production plant b examines the case of a project but a higher level where leaders face a decision either or investment between two mutually exclusive projects

[victoria chemicals plc b the merseyside and rotterdam](#) - Feb 01 2023

web victoria chemicals plc a the merseyside project this case series examines capital decisions to be taken by the leaders of a

large chemical company in january 2008 one case uva f 1543 provides an
victoria chemicals case study example studentshare - Jan 20 2022