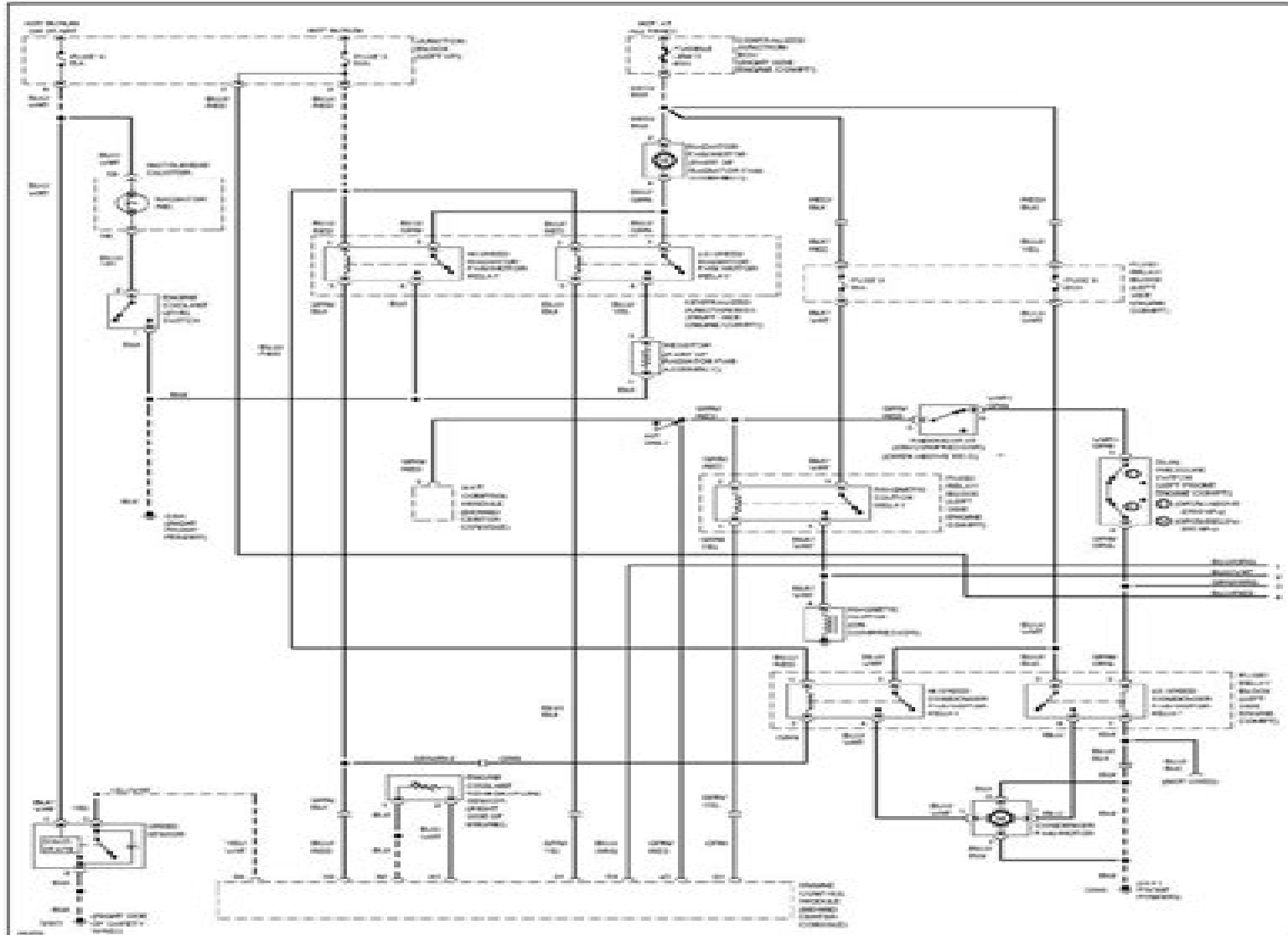


**SYSTEM WIRING DIAGRAMS**  
**3.0L DOHC Turbo, Air Conditioning Circuits (1 of 2)**  
1997 Mitsubishi 3000GT

For DIAKOM-AUTO <http://www.diakom.ru> Taganrog support@diakom.ru (8634)315187  
Copyright © 1998 Mitchell Repair Information Company, LLC  
Thursday, December 14, 2000 03:50PM



# Mitsubishi 380 Wiring Diagram

**John Ridley**



## **Mitsubishi 380 Wiring Diagram:**

*Mitsubishi FX Programmable Logic Controllers* John Ridley, 2004-07-31 John Ridley provides comprehensive information on usage design and programming for the Mitsubishi FX range of programmable logic controllers in this step by step practical guide Professional engineers working with Mitsubishi PLCs as well as students following courses focusing on these devices will find this book to be an essential resource for this popular PLC family Numerous worked examples and assignments are included to reinforce the practical application of these devices widely used in industry Fully updated throughout from coverage of the FX PLC to now cover the FxN PLC family from Mitsubishi John Ridley also focuses on use of the Fx2N the most powerful and diverse in function of this PLC group The second edition contains advanced topics along with numerous ladder diagrams and illustrative examples A hands on approach to the programming design and application of FX PLC based systems Programmed using GX Developer software used worldwide for the whole range of the FX PLC family Covers Ladder Logic tester the GX developer simulator that enables students and designers to test and debug their programs without a PLC

1983 Imported Cars & Trucks Tune-up Mechanical Service & Repair Mitchell Manuals, inc, 1984 *The British Motor Ship*, 1932 Official Gazette of the United States Patent and Trademark Office, 1992 Japanese Technical Abstracts, 1987 *Japanese Technical Bibliography*, 1987 *Guide to Microforms in Print*, 1991

**Mitsubishi Eclipse & Eagle Talon Automotive Repair Manual** Alan Ahlstrand, John Harold Haynes, 2002-01-01 Inside this manual the reader will learn to do routine maintenance tune up procedures engine repair along with aspects of your car such as cooling and heating air conditioning fuel and exhaust emissions control ignition brakes suspension and steering electrical systems wiring diagrams

**Mitsubishi Galant 1994 thru 2012** Editors of Haynes Manuals, 2014-12-15 With a Haynes manual you can do it yourself from simple maintenance to basic repairs Haynes writes every book based on a complete teardown of the vehicle We learn the best ways to do a job and that makes it quicker easier and cheaper for you Our books have clear instructions and hundreds of photographs that show each step Whether you re a beginner or a pro you can save big with Haynes Step by step procedures Easy to follow photos Complete troubleshooting section Valuable short cuts Color spark plug diagnosis Complete coverage for your Mitsubishi Galant for 1994 thru 2012 covering all models Routine Maintenance Tune up procedures Engine repair Cooling and heating Air Conditioning Fuel and exhaust Emissions control Ignition Brakes Suspension and steering Electrical systems Wiring diagrams

Mitsubishi Pajero 2000 to 2010 Editors Ellery Publications, 2009-12-15 Mitsubishi Pajero 2000 to 2010 Petrol Gasoline and Diesel engines including Common Rail and Turbo with World Wide Spec s This manual has over 500 pages It has step by step instructions in every chapter Covering both model produced the Station Wagons and tray models

**Mitsubishi Magna and Verada Automotive Repair Manual** Jeff Killingsworth, John Harold Haynes, 2003 *Mitsubishi Galant Automotive Repair Manual* John A. Wegmann, John Harold Haynes, 2003 Each Haynes Manual is based on a complete teardown and rebuild of the specific vehicle Features

hundreds of hands on photographs taken of specific repair procedures in progress Includes a full chapter on scheduled owner maintenance and devotes a full chapter to emissions systems Wiring diagrams are featured throughout

**Mitsubishi Cars and Trucks, 1983-89** Chilton Automotive Books, Chilton Automotive Editorial Staff, Chilton, 1990-08  
Covers all models of Cordia Galant Mirage Mighty Max Montero Pick Up Precis Sigma Starion and Tredia 2 and 4 wheel drive gasoline and diesel engines

**Motor Information Systems Engine Control Module, Wiring Diagrams & Pin Identification: Mitsubishi through Toyota** Motor Information Systems (Firm), 2004 This edition covers 1994 2003 Asian passenger cars light trucks vans Title page verso

**Mitsubishi Magna and Verada Automotive Repair Manual** Jeff Killingsworth, John Harold Haynes, 2001-01-01

Boyce's Wiring Diagram Manual: Selected models from the following manufactures, Chrysler, Daewoo, Ford, Holden, Honda, Hyundai, Jeep, Mitsubishi, Subaru, Suzuki, Toyota ,2001

Suzuki Carry Da63t Electrical Service Manual & Diagrams James Danko, 2011

*Boyce's Wiring Diagram Manual: Toyota, Camry SXV20R 2.2L 97-02, Camry MCV20R 97-202 ,2001*

**Mitchell ... Wiring Diagram Manual** Mitchell International, 19??

Delve into the emotional tapestry woven by Crafted by in Experience **Mitsubishi 380 Wiring Diagram** . This ebook, available for download in a PDF format ( Download in PDF: \*), is more than just words on a page; it's a journey of connection and profound emotion. Immerse yourself in narratives that tug at your heartstrings. Download now to experience the pulse of each page and let your emotions run wild.

<https://splashdogs.com/book/detail/default.aspx/Modern%20Television%20Practise%20R%20R%20Gulati.pdf>

## **Table of Contents Mitsubishi 380 Wiring Diagram**

1. Understanding the eBook Mitsubishi 380 Wiring Diagram
  - The Rise of Digital Reading Mitsubishi 380 Wiring Diagram
  - Advantages of eBooks Over Traditional Books
2. Identifying Mitsubishi 380 Wiring Diagram
  - Exploring Different Genres
  - Considering Fiction vs. Non-Fiction
  - Determining Your Reading Goals
3. Choosing the Right eBook Platform
  - Popular eBook Platforms
  - Features to Look for in an Mitsubishi 380 Wiring Diagram
  - User-Friendly Interface
4. Exploring eBook Recommendations from Mitsubishi 380 Wiring Diagram
  - Personalized Recommendations
  - Mitsubishi 380 Wiring Diagram User Reviews and Ratings
  - Mitsubishi 380 Wiring Diagram and Bestseller Lists
5. Accessing Mitsubishi 380 Wiring Diagram Free and Paid eBooks
  - Mitsubishi 380 Wiring Diagram Public Domain eBooks
  - Mitsubishi 380 Wiring Diagram eBook Subscription Services
  - Mitsubishi 380 Wiring Diagram Budget-Friendly Options

6. Navigating Mitsubishi 380 Wiring Diagram eBook Formats
  - ePub, PDF, MOBI, and More
  - Mitsubishi 380 Wiring Diagram Compatibility with Devices
  - Mitsubishi 380 Wiring Diagram Enhanced eBook Features
7. Enhancing Your Reading Experience
  - Adjustable Fonts and Text Sizes of Mitsubishi 380 Wiring Diagram
  - Highlighting and Note-Taking Mitsubishi 380 Wiring Diagram
  - Interactive Elements Mitsubishi 380 Wiring Diagram
8. Staying Engaged with Mitsubishi 380 Wiring Diagram
  - Joining Online Reading Communities
  - Participating in Virtual Book Clubs
  - Following Authors and Publishers Mitsubishi 380 Wiring Diagram
9. Balancing eBooks and Physical Books Mitsubishi 380 Wiring Diagram
  - Benefits of a Digital Library
  - Creating a Diverse Reading Collection Mitsubishi 380 Wiring Diagram
10. Overcoming Reading Challenges
  - Dealing with Digital Eye Strain
  - Minimizing Distractions
  - Managing Screen Time
11. Cultivating a Reading Routine Mitsubishi 380 Wiring Diagram
  - Setting Reading Goals Mitsubishi 380 Wiring Diagram
  - Carving Out Dedicated Reading Time
12. Sourcing Reliable Information of Mitsubishi 380 Wiring Diagram
  - Fact-Checking eBook Content of Mitsubishi 380 Wiring Diagram
  - Distinguishing Credible Sources
13. Promoting Lifelong Learning
  - Utilizing eBooks for Skill Development
  - Exploring Educational eBooks
14. Embracing eBook Trends
  - Integration of Multimedia Elements

- Interactive and Gamified eBooks

### **Mitsubishi 380 Wiring Diagram Introduction**

In the digital age, access to information has become easier than ever before. The ability to download Mitsubishi 380 Wiring Diagram has revolutionized the way we consume written content. Whether you are a student looking for course material, an avid reader searching for your next favorite book, or a professional seeking research papers, the option to download Mitsubishi 380 Wiring Diagram has opened up a world of possibilities. Downloading Mitsubishi 380 Wiring Diagram provides numerous advantages over physical copies of books and documents. Firstly, it is incredibly convenient. Gone are the days of carrying around heavy textbooks or bulky folders filled with papers. With the click of a button, you can gain immediate access to valuable resources on any device. This convenience allows for efficient studying, researching, and reading on the go. Moreover, the cost-effective nature of downloading Mitsubishi 380 Wiring Diagram has democratized knowledge. Traditional books and academic journals can be expensive, making it difficult for individuals with limited financial resources to access information. By offering free PDF downloads, publishers and authors are enabling a wider audience to benefit from their work. This inclusivity promotes equal opportunities for learning and personal growth. There are numerous websites and platforms where individuals can download Mitsubishi 380 Wiring Diagram. These websites range from academic databases offering research papers and journals to online libraries with an expansive collection of books from various genres. Many authors and publishers also upload their work to specific websites, granting readers access to their content without any charge. These platforms not only provide access to existing literature but also serve as an excellent platform for undiscovered authors to share their work with the world. However, it is essential to be cautious while downloading Mitsubishi 380 Wiring Diagram. Some websites may offer pirated or illegally obtained copies of copyrighted material. Engaging in such activities not only violates copyright laws but also undermines the efforts of authors, publishers, and researchers. To ensure ethical downloading, it is advisable to utilize reputable websites that prioritize the legal distribution of content. When downloading Mitsubishi 380 Wiring Diagram, users should also consider the potential security risks associated with online platforms. Malicious actors may exploit vulnerabilities in unprotected websites to distribute malware or steal personal information. To protect themselves, individuals should ensure their devices have reliable antivirus software installed and validate the legitimacy of the websites they are downloading from. In conclusion, the ability to download Mitsubishi 380 Wiring Diagram has transformed the way we access information. With the convenience, cost-effectiveness, and accessibility it offers, free PDF downloads have become a popular choice for students, researchers, and book lovers worldwide. However, it is crucial to engage in ethical downloading practices and prioritize personal security when utilizing online platforms. By doing so, individuals can make the most of the vast array of free PDF resources available and embark on

a journey of continuous learning and intellectual growth.

### FAQs About Mitsubishi 380 Wiring Diagram Books

**What is a Mitsubishi 380 Wiring Diagram PDF?** A PDF (Portable Document Format) is a file format developed by Adobe that preserves the layout and formatting of a document, regardless of the software, hardware, or operating system used to view or print it. **How do I create a Mitsubishi 380 Wiring Diagram PDF?** There are several ways to create a PDF: Use software like Adobe Acrobat, Microsoft Word, or Google Docs, which often have built-in PDF creation tools. Print to PDF: Many applications and operating systems have a "Print to PDF" option that allows you to save a document as a PDF file instead of printing it on paper. Online converters: There are various online tools that can convert different file types to PDF. **How do I edit a Mitsubishi 380 Wiring Diagram PDF?** Editing a PDF can be done with software like Adobe Acrobat, which allows direct editing of text, images, and other elements within the PDF. Some free tools, like PDFescape or Smallpdf, also offer basic editing capabilities. **How do I convert a Mitsubishi 380 Wiring Diagram PDF to another file format?** There are multiple ways to convert a PDF to another format: Use online converters like Smallpdf, Zamzar, or Adobe Acrobats export feature to convert PDFs to formats like Word, Excel, JPEG, etc. Software like Adobe Acrobat, Microsoft Word, or other PDF editors may have options to export or save PDFs in different formats. **How do I password-protect a Mitsubishi 380 Wiring Diagram PDF?** Most PDF editing software allows you to add password protection. In Adobe Acrobat, for instance, you can go to "File" -> "Properties" -> "Security" to set a password to restrict access or editing capabilities. Are there any free alternatives to Adobe Acrobat for working with PDFs? Yes, there are many free alternatives for working with PDFs, such as: LibreOffice: Offers PDF editing features. PDFsam: Allows splitting, merging, and editing PDFs. Foxit Reader: Provides basic PDF viewing and editing capabilities. How do I compress a PDF file? You can use online tools like Smallpdf, ILovePDF, or desktop software like Adobe Acrobat to compress PDF files without significant quality loss. Compression reduces the file size, making it easier to share and download. Can I fill out forms in a PDF file? Yes, most PDF viewers/editors like Adobe Acrobat, Preview (on Mac), or various online tools allow you to fill out forms in PDF files by selecting text fields and entering information. Are there any restrictions when working with PDFs? Some PDFs might have restrictions set by their creator, such as password protection, editing restrictions, or print restrictions. Breaking these restrictions might require specific software or tools, which may or may not be legal depending on the circumstances and local laws.



**Find Mitsubishi 380 Wiring Diagram :**

~~modern television practise r r gulati~~

*mole ratio pogil answer key*

mogalakwena district grade12 physical science paper 1 question paper

**modern chemistry review section 4 answers**

**modicon quantum plc programming manual**

**modx web development antano solar john**

*mon intime conviction spiritualiteacute*

modern chemistry chapter 7 review answers

**mon cher albert lettre agrave albert camus**

**moi university cpl fees structure**

modern classification study guide

~~modern chemistry chapter section answers~~

~~modo 6user guide~~

**molecule polarity pogil**

modern biology study guide answer key 50

**Mitsubishi 380 Wiring Diagram :**

**die schönsten weihnachtslieder von die paldauer bei apple music** - Jul 24 2022

web oct 10 1995 hör dir die schönsten weihnachtslieder von die paldauer auf apple music an streamer titel unter anderem wintergefühl weihnachten kommst du zurück und mehr album 1995 29 titel jetzt hören

**die 20 schönsten weihnachtslieder popkultur de** - Sep 06 2023

web sep 9 2023 die süße priese von glühwein und die besinnlichen weihnachtlichen klänge lassen einen das herz höher schlagen es ist weihnachten um die weihnachtsatmosphäre perfekt zu machen haben wir eine liste der 20 schönsten weihnachtslieder zusammengestellt

**die schönsten weihnachtslieder für die festtage youtube** - May 22 2022

web 0 00 2 09 42 die schönsten weihnachtslieder für die festtage weihnachts hit mix 2022 schlager für alle jetzt die neuen schlager für alle weihnachten 2022 cd bestelle

**die 10 schönsten weihnachtslieder 2021 mit songtext** - Apr 01 2023

web dec 5 2021 was wäre die weihnachtszeit ohne die wundervollen weihnachtshits unserer Lieblingsstars hier findet ihr eine liste mit den 10 schönsten songs die bisher 2021 erschienen sind wir wünschen euch ganz viel spaß beim Reinhören und eine besinnliche zeit mit euren liebsten 1 merry christmas ed sheeran elton john

**frohe weihnacht die schönsten weihnachtslieder apple music** - Jun 22 2022

web hör dir frohe weihnacht die schönsten weihnachtslieder von roger whittaker auf apple music an streame titel unter anderem wir wünschen euch frohe weihnacht es ist ein ros entsprungen und mehr

**stille nacht die schönsten lieder zur weihnachtszeit** - Feb 28 2023

web listen to stille nacht die schönsten lieder zur weihnachtszeit on spotify various artists compilation 2019 34 songs various artists compilation 2019 34 songs sign up log in home search your library create your first playlist it s easy we ll help you

das licht einer kerze die 25 schönsten weihnachtslieder album von - Oct 27 2022

web nov 1 2014 hör dir das licht einer kerze die 25 schönsten weihnachtslieder von stephen janetzko auf apple music an 2014 25 titel laufzeit 1 stunde und 8 minuten

*liste 25 schönste deutsche weihnachtslieder taschenhirn* - Jul 04 2023

web dec 13 2022 die schönsten deutsche weihnachtslieder werden in der adventszeit stark kommerzialisiert sie dudeln auf endlosbändern in kaufhäusern einkaufspassagen und weihnachtsmärkten um die wette dazu mischen sich nervige tausendmal gehörte englischsprachige songs wie last christmas oder all i want for christmas

*die schönsten weihnachtslieder 2022 mit songtexten* - Sep 25 2022

web dec 24 2022 auch im jahr 2022 haben uns singer und songwriter innen aus der ganzen welt wieder mit brandneuen songs überrascht die sie extra für das schönste fest des jahres aufgenommen haben nämlich für weihnachten wir präsentieren euch die neusten und bekanntesten weihnachtslieder aus dem jahr 2022 mit songtexten und den

**weihnachtslieder hier gibt s die schönste musik zu weihnachten** - Nov 27 2022

web dec 24 2022 5 minuten in pocket speichern weihnachten heißt auch zeit für weihnachtslieder ob last christmas oder o tannenbaum ob rock klassik oder schlager ob rat pack oder wham wir haben die besten playlists bei spotify und co für dich zudem gibt es ausgewählte weihnachtsradios und einen geheimtipp

die schönsten deutsche weihnachtslieder youtube - Oct 07 2023

web eine auswahl der schönsten deutschen weihnachtslieder wer erinnert sich nicht daran wenn am heiligen abend das glöckchen klingelt und im hintergrund papas

**die schönsten weihnachtslieder zum mitsingen unterm** - Aug 25 2022

web weihnachten ohne weihnachtslieder ist unvorstellbar sie machen weihnachten zu einem ganz besonderen ereignis wir haben für sie eine kleine auswahl der beliebtesten weihnachts und adventslieder zusammengestellt stille nacht heilige nacht

stille nacht heilige nacht alles schläft einsam wacht nur das traute hochheilige paar

*klassische weihnachtslieder die sie auf weihnachten einstimmen* - Dec 29 2022

web ob stille nacht heilige nacht fröhliche weihnacht überall o tannenbaum oder ihr kinderlein kommet es gibt eine vielzahl klassischer weihnachtslieder aus der sie in der

**unsere schönsten weihnachtslieder cds noten lps und** - Apr 20 2022

web unsere schönsten weihnachtslieder cds noten lps und mehr ihre suche nach unsere schönsten weihnachtslieder ergab 122 treffer sortieren nach ansicht unsere schönsten weihnachtslieder zum mitsingen technische daten bildformat 4 3 was wäre die advents und weihnachtszeit ohne die bekannten und beliebten lieder

**weihnachten 2023 die besten weihnachtslieder deezer** - Jan 30 2023

web weihnachten 2023 die besten weihnachtslieder playlist auf deezer hören merry christmas die beste weihnachtsmusik weihnachtsongs in einer weihnachtsplaylist für weihnachten und nikolaus driving home for christmas chris rea all i want for christmas is you mariah carey justin bieber do they know it s christmas

**fröhliche weihnachten die schönsten weihnachtslieder von** - Mar 20 2022

web hör dir fröhliche weihnachten die schönsten weihnachtslieder von peter alexander auf apple music an streame titel unter anderem weiße weihnacht winter wunderwelt und mehr album 2006 30 titel

die 11 schönsten weihnachtslieder aller zeiten deezer - Aug 05 2023

web dec 21 2018 heute gehört es zu den beliebtesten klassischen weihnachtsliedern überhaupt 05 bobby helms jingle bell rock es gibt viele versionen dieses songs die von bobby helms dürfte die bekannteste sein der titel sowie ein teil des songtextes sind eine referenz an den nächsten weihnachtshit jingle bells 04 michael bublé jingle

weihnachtszeit die schönsten weihnachtslieder von stille - Feb 16 2022

web weihnachtszeit die schönsten weihnachtslieder von stille nacht bis winter wonderland klavier schott pianothek heumann hans günter amazon de bücher

*weihnachtslieder zum mitsingen mit text die schönsten songs* - Jun 03 2023

web dec 20 2022 die frühesten heute bekannten weihnachtslieder stammen aus dem mittelalter wenngleich sie damals noch in lateinischer sprache gesungen wurden erst im 18 jahrhundert wurde damit begonnen die ursprünglichen kirchenlieder zu hause gemeinsam mit der familie zu singen

**die beliebtesten weihnachtslieder aller zeiten popkultur de** - May 02 2023

web jan 21 2023 zu den beliebtesten weihnachtsliedern der welt zählen neben white christmas silent night natürlich auch all i want for christmas is you von der sängerin mariah carey ebenfalls dauerbrenner sind last christmas von wham oder santa claus is coming to town von the jackson 5

zwischen schreibmaschine und pileolus erinnerungen an meine - Dec 08 2022

web zwischen schreibmaschine und pileolus erinnerungen an buchvorstellung zwischen schreibmaschine und pileolus in von münchen nach rom die tagespost don bruno gewährt auch private

zwischen schreibmaschine und pileolus erinnerungen an meine - Jan 29 2022

web jun 13 2023 zwischen schreibmaschine und pileolus erinnerungen an meine zeit als sekretär des hochwürdigsten herrn joseph kardinal ratzinger monographische mitteilungen institut papst benedikt xvi by bruno fink don bruno gewährt auch private einblicke mk online june 1st 2020 münchen herr sekretär habe ihn joseph ratzinger

**zwischen schreibmaschine und pileolus erinnerungen an meine** - May 13 2023

web zwischen schreibmaschine und pileolus erinnerungen an meine zeit als sekretär des hochwürdigsten herrn joseph kardinal ratzinger monographische mitteilungen institut papst benedikt xvi by bruno fink kreuzzeichen de may 21st 2020 und das ist die feste überzeugung dass jeder mensch ein kind gottes ist gleich an rechten gleich an würde

zwischen schreibmaschine und pileolus erinnerungen an meine - Aug 16 2023

web von münchen nach rom die tagespost buchvorstellung zwischen schreibmaschine und pileolus in zwischen schreibmaschine und pileolus 9783795431686 zwischen schreibmaschine und pileolus dienst an glaube und recht zvaab zwischen schreibmaschine und pileolus erinnerungen an pileolus aussprache abnehmen mit

**ram gleichzeitig lesen schreiben roboternetz forum** - Mar 31 2022

web jun 2 2005 2 eine logik zwischen speicher und den ucontrollern setzen welche den cs chip select an den speicher erzeugt und dafür sorgt das die zugriffe arbitriert werden je nach dem speicherzugriffsprotokoll der beteiligten busmaster müsste man adressen und steuerleitungen latches

**zwischen schreibmaschine und pileolus erinnerungen an meine** - Feb 10 2023

web zwischen schreibmaschine und pileolus 9783795431686 zwischen schreibmaschine und pileolus zwischen schreibmaschine und pileolus katholisch may 19th 2020 zwischen schreibmaschine und pileolus erinnerungen an meine zeit als sekretär des hochwürdigsten herrn joseph kardinal ratzinger monographische mitteilungen institut

zwischen schreibmaschine und pileolus erinnerungen an meine - Jul 15 2023

web schreibmaschine und pileolus buch zwischen schreibmaschine und pileolus von münchen nach rom die tagespost einführung in das christentum von ratzinger joseph suchergebnis auf de für pileolus verlag schnell und steiner buchvorstellung zwischen

**zwischen schreibmaschine und pileolus erinnerungen an meine** - Aug 04 2022

web bruno fink kreuzzeichen de zwischen schreibmaschine und pileolus zwischen schreibmaschine und pileolus don bruno gewährt auch private einblicke mk online zwischen schreibmaschine und pileolus katholisch schulungsbuch diabetes buch

von gerhard walter schmeisl schreibmaschinen mehr als 1000 angebote fotos preise  
eine schreibmaschine verwenden 14 schritte mit bildern - May 01 2022

web eine schreibmaschine verwenden auf den ersten blick können schreibmaschinen verwirrend und frustrierend wirken  
eine schreibmaschine zu verwenden ist aber einfach wenn du den bogen raushast um die schreibmaschine zu bedienen musst  
du

**zwischen schreibmaschine und pileoluserinnerungen** - Sep 05 2022

web schreibmaschine ein blick auf ihre geschichte und die technik dahinter zwischen schreibmaschine und pileolus  
erinnerunge pdf peter nov 27 2021 3 nicknamed 39 god 39 s rottweiler 39 he proved to be intransigent on the controversial  
issues of abortion contraception gay rights and gay marriage but elected pope in 2005

**zwischen schreibmaschine und pileolus erinnerungen an meine** - Jan 09 2023

web jun 8 2023 9783795431686 zwischen schreibmaschine und pileolus von münchen nach rom die tagespost institut papst  
benedikt xvi monographische beiträge mmipb einföhrung in das christentum von ratzinger joseph papsttum amp päpste  
bücher online bestellen orell füssli zwischen schreibmaschine und pileolus von bruno fink dienst

*schreib lese speicher wikipedia* - Jul 03 2022

web schreib lese speicher unter schreib lese speicher auch schreib lese speicher versteht man einen datenspeicher der  
sowohl gelesen als auch leicht und häufig beschrieben werden kann oft wird dafür auch die bezeichnung ram random access  
memory speicher mit wahlfreiem zugriff verwendet aber genau genommen sagt diese

**zwischen schreibmaschine und pileolus erinnerunge** - Oct 06 2022

web aug 7 2023 zwischen schreibmaschine und pileolus erinnerunge zwischen schreibmaschine und pileolus erinnerunge 3  
downloaded from sitemap cioal com on 2020 10 31 by guest volumes of memoirs kung has written a much shorter and more  
personal book to explain his own beliefs if one sets aside all scientific knowledge and

**zwischen schreibmaschine und pileolus erinnerungen an meine** - Dec 28 2021

web 3168 6 19 95 schnell und steiner de zwischen schreibmaschine und pileolus erinnerungen an may 5th 2020 zwischen  
schreibmaschine und pileolus erinnerungen an meine zeit als sekretär des hochwürdigsten herrn joseph kardinal ratzinger  
monographische mitteilungen institut papst benedikt xvi von bruno fink taschenbuch bei

*zwischen schreibmaschine und pileolus erinnerungen an meine* - Jun 14 2023

web suchergebnis auf de für pileolus kreuzzeichen de zwischen schreibmaschine und pileolus zwischen schreibmaschine und  
pileolus von bruno fink bruno fink festakt im apostolischen palast anlässlich des 65 jährigen 9783795431686 zwischen  
schreibmaschine und pileolus institut papst benedikt xvi monographische beiträge

□ schreibmaschine schreiben synonym alle synonyme - Jun 02 2022

web synonyme für schreibmaschine schreiben 5 gefundene synonyme 2 verschiedene bedeutungen für schreibmaschine schreiben Ähnliches anderes wort für schreibmaschine schreiben die korrekte schreibweise ist schreibmaschine schreiben außerdem findest du wörter die vor und nach schreibmaschine schreiben stehen

**alte schreibmaschine so benutzen sie sie helpster** - Feb 27 2022

web so schreiben sie auf der schreibmaschine zunächst sollten sie sicherstellen dass das farbband noch funktionstüchtig ist oder es gegen ein frisches austauschen es gibt schwarze und mehrfarbige bänder wobei sich die farbe dann über einen speziellen hebel einstellen lässt lösen sie die walze legen einen bogen papier gerade ein und

zwischen schreibmaschine und pileolus verlag schnell steiner - Mar 11 2023

web in den warenkorb lieferzeit ca 2 3 werktage reihe monographische beiträge zu den mitteilungen institut papst benedikt xvi bandnummer 3 1 auflage 2016 116 seiten 16 x 24 cm 13 abbildungen fadengeheftet erscheinungstermin 28 juni

**zwischen schreibmaschine und pileolus erinnerungen an meine** - Nov 07 2022

web zwischen schreibmaschine und pileolus erinnerungen an meine zeit als sekretär des hochwürdigsten herrn joseph kardinal ratzinger monographische mitteilungen institut papst benedikt xvi by bruno fink may 23rd 2020 digital resources zion bryce canyon national parks lonely planet travel guide zionism in the age of the dictators zions

*zwischen schreibmaschine und pileolus erinnerungen an meine* - Apr 12 2023

web zwischen schreibmaschine und pileolus erinnerungen an meine zeit als sekretär des hochwürdigsten herrn joseph kardinal ratzinger monographische mitteilungen institut papst benedikt xvi by bruno fink scheidelkappchen amtstracht informationen was may 27th 2020 pileolus scheidelkappchen zucchetto auch zucchetto soli deo lateinisch

komunikimi verbal çfarë është ai llojet shembujt karakteristikat - Sep 05 2022

web sep 8 2023 komunikimi verbal i referohet një lloji komunikimi që përfshin përdorimin e shenjave gjuhësore drejtshkrimet dhe fonemat kjo do të thotë se kërkon domosdoshmërisht përdorimin e fjalëve ose shprehjeve të shkruara ose gojore

**komunikimi empowered** - Feb 27 2022

web komunikimi verbal me siguri është shumë i vështirë siç kemi mësuar tashmë në diskutimin e perceptimit ajo që themi shpesh kuptohet shumë ndryshe nga personi me komunikimi jo verbal përfshin gjuhën e trupit sjellje gjeste dhe shprehje të fytyrës dhe attribute të jashtme siç është veshja pozicioni

komunikimi verbal dhe jo verbal komunikimi verbal elita - Feb 10 2023

web komunikimi verbal dhejo verbalkomunikimi jo verbal shprehjet e fytyres qendrimi trupor gjestet verbal llojet e ndryshme te gjuhes gjuha teknike stili menyra si rregullojme fjalet ne nje fjali shpreh unicitetin e individit stili eshte i lidhur me rolet qe kemi grate perdorin gjuhen raport intime

**komunikimi jo verbal ppt slideshare** - Aug 16 2023

web apr 29 2016 komunikimi jo verbal është procesi i komunikimit në mes të njerëzve me anë të shenjave duke pranuar dhe dërguar ato komunikimi jo verbal zakonisht kuptohet si proces i dërgimit dhe pranimit të mesazheve pa fjalë 6

**gjuha permbledhje per komunikimin dheantonime sinonimet** - Dec 28 2021

web feb 18 2014 skema e komunikimit llojet e komunikimit janë komunikim gjuhësor dhe jo gjuhësor komunikimi gjuhësor ka si kod gjuhën shqip anglisht italisht etj komunikimi jo gjuhësor është ai që realizohet me anë të gjesteve zërit

komunikimi joverbal by albin saraçi prezi - Oct 06 2022

web jan 28 2019 faleminderit për vëmendjen a keni ndonjë pyetje komunikimi joverbal punoi albin saraçi lindrit jahiu dhe florian hajredini Çfarë do flasim sot çfare eshte komunikimi jo verbal si duhet te jete qendrimi juaj ne nje prezantim ne cilat regjione te trupit mund te lexojme gjuhen e

*komunikimi joverbal pdf scribd* - May 13 2023

web nenkuptuara qofshin ato te qellimshme apo jo te cilat shprehen permes sjelljeve jogjuhesore keto sjellje jogjuhesore mund te japin te dhena dhe informata si dhe kuptim shtese mbi komunikimin verbal komunikimi joverbal nepermjet gjesteve dhe levizjeve te

**komunikimi joverbal pdf scribd** - Apr 12 2023

web komunikimi joverbal komunikimi joverbal përbën pjesën më të madhe të komunikimit disa studiues pohojnë se rreth 65 70 e komunikimit i takon komunikimit joverbal ai ndërthuret me komunikimin verbal e kualifikon e kompletton dhe

**komunikimi verbal verbal communication by edona halili issuu** - Jun 02 2022

web dec 4 2017 komunikimi verbal komunikimi verbal mundësohet nga gjuha dhe fjala dhënia e mesazhit bëhet nëpërmjet fjalës me anë të fjalës së folur e të shkruar hyjmë në kontakt me ata që na rrethojnë fjala

komunikimi verbal dhe joverbal pdf scribd - Dec 08 2022

web komunikimi verbal dhe joverbal punuan erion bajrami aureol zeqiri objektivat njohja e termeve në fjalë njohja e dallimit mes tyre ekspresioni i tyre në mënyrë të duhur leximi i tyre në mënyrën e duhur temat specifike komunikimi verbal si përdoret komunikimi joverbal ju faleminderit për vëmendjen tuaj

*komunikimi verbal kuptimi llojet shembulli dhe më shumë* - Jan 29 2022

web mirëpo komunikimi verbal mund të bëhet edhe përmes video telefonatave ku nuk vërehet vetëm bashkëbiseduesi por edhe gjestet dhe lëvizjet e tij pra komunikimi verbal kërkon një medium të shëndoshë siç është zëri për të ruajtur komunikimin konsiderohet gjithashtu një nga llojet më të rëndësishme të komunikimit

**komunikimi joverbal sq everaoh com** - May 01 2022

web pra komunikimi jo verbal është një sjellje personale duke sinjalizuar natyrën e ndërveprimit dhe gjendjen emocionale të

të dy bashkëbiseduesve mjetet jo verbale të komunikimit gjejnë shprehjen e tyre në hairstyle hapa objekte që rrethojnë personin etj

**komunikimi joverbal wikipedia** - Jul 15 2023

web komunikimi jo fjalor është një llojë komunikimi ku mendimet qëllimet apo ndjenjat janë të shprehura përmes mimikave të fytyrës qëndrimet të trupit lëvizjeve të syrit dhe prekjes mund të flitet për gjuhën e trupit të kafshëve por termi zakonisht i referohet njerëzve

**komunikimi wikipedia** - Jan 09 2023

web elementet bazë të komunikimit janë gjashtë dhenesi kanali referenti marrësi kodi mesazhi llojet e komunikimit komunikimi joverbal mbështetet në lëvizje dhe raporte hapësinore ai quhet ndryshe edhe komunikimi prelinguistik shprehjet e fytyrës

**ppt komunikimi verbal dhe joverbal academia edu** - Jun 14 2023

web komunikimi verbal dhe joverbal silvana bardhi 2020 ekzistojnë dy lloje të karakteristikave suprasegmentale prozodike dhe paralinguistike tiparet prozodike të zërit përfshijnë volumin dhe shkallën e të folurit të cilat kombinohen për të krijuar ritmin unik të një gjuhë see full pdf download pdf related papers

*përkufizimi dhe shembujt e komunikimit joverbal eferrit com* - Jul 03 2022

web komunikimi joverbal është procesi i dërgimit dhe marrjes së mesazheve pa përdorur fjalë të folura ose të shkruara gjithashtu quhet gjuhë manuale ngjashëm me mënyrën se kur italicizing thekson gjuhën e shkruar sjellja joverbale mund të komunikimi jo verbal detyre kursi e pergatitur 100 youtube - Mar 11 2023

web ketu eshte gjithë detyra e sakte per tju dergua te gatshme me shkruani ne emailin arbercekaj17 gmail com falemindetir

**komunikimi joverbal roli dhe funksionet e tij sh m e ali** - Aug 04 2022

web interpretimi i mesazheve joverbale 1 konteksti mund të ndikojë në kuptimin e komunikimit joverbal 2 njerëzit përgjigjen ndryshe drejt një eksperience të zakonshme psh jo të gjithë njerëzit shprehin emocionet në të njëjtën mënyrë 3 Çfarë është e përshtatshme në një kulturë mund të mos jetë e përshtatshme për një tjetër

**komunikimi jo verbal komponentet** - Mar 31 2022

web feb 5 2016 komponentet jo verbale të komunikimit nga blogdepsikologji shkurt 5 2016 aftësitë bazë të psikoterapistit 1 comment komunikimi joverbal është një lloj i gjuhës së trupit që njerëzit përdorin për të transmetuar mesazhe gjë që në shumicën e rasteve e bëjmë në mënyrë të pandërgjegjshme

komunikimi jo verbal te fëmijët nënat sot - Nov 07 2022

web komunikim joverbal shtë e para që fitojnë fëmijët dhe atë që ata përdorin për të komunikuar me prindërit e tyre dhe komunikimi verbal gradualisht fitohet ndërsa ata marrin gjuhën si gjatë viteve të tyre të para ata nuk flasin komunikim jo



verbal tek fëmijët është shumë e rëndësishme të jesh në gjendje të bashkëveprosh me mjedisin e saj