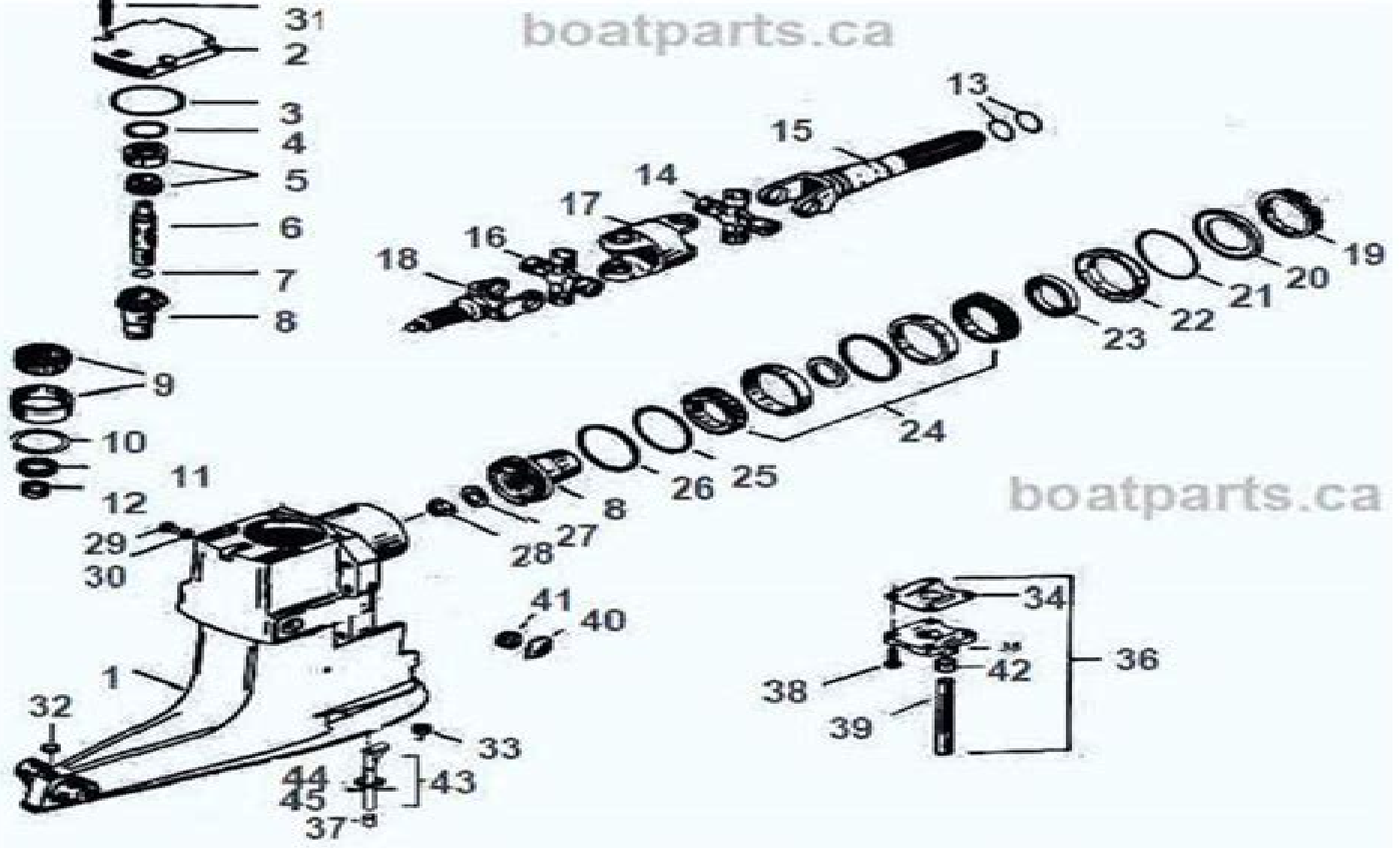


boatparts.ca



boatparts.ca

Mercruiser / Alpha One

boatparts.ca

Mercury Alpha 1 Outdrive Manual

Myron Henry Lewis, Milton Kempner



Mercury Alpha 1 Outdrive Manual:

Manual of Examinations for Engineering Positions in the Service of the City of New York Myron Henry Lewis, Milton Kempner, 1906 **Moody's Manual of Investments** John Sherman Porter, 1962 American government securities 1928 53 in 5 annual vols v 1 Railroad securities 1952 53 Transportation v 2 Industrial securities v 3 Public utility securities v 4 Government securities 1928 54 v 5 Banks insurance companies investment trusts real estate finance and credit companies 1928 54 Johnson's Marine Manual ,1920 *Manual of Examinations for the ...* ,1902 **Moody's Bank and Finance Manual** ,1963 Moody's OTC Unlisted Manual ,1992 *Manual of the Administration of the Madras Presidency, in Illustration of the Records of Government & the Yearly Administration Reports* Madras (India : Presidency),1885 *New Hampshire Register and Legislative Manual* ,1983 **Books in Print Supplement** ,2002 **Bibliography of Nautical Books** ,1990 *Moody's International Manual* ,1998 Civil Service Year Book and Official Calendar ,1904 The Civil service year book and official calendar ,1902 **Air Shippers Manual** ,1964 *Delmar's Automotive Dictionary* David W. South, Boyce H. Dwiggin, 1997 This handy ready reference dictionary provides the automotive engineer technician mechanic student enthusiast or layperson with a single source for the most up to date definitions available of technical professional and informal terminology used in today s automotive world It is descriptive and covers the wide scope of terms pertinent to the automotive field With multiple definitions and aids and proper pronunciation of terms this dictionary is a must for all

Moody's Manual of Investments: American and Foreign ,1924 *International Production Manual* ,1985
Vermont Legislative Directory and State Manual Vermont. Office of Secretary of State, 1974 *American Gas Engineering Journal* ,1929 **Kentucky Administrative Regulations Service** ,1994

Unveiling the Energy of Verbal Artistry: An Mental Sojourn through **Mercury Alpha 1 Outdrive Manual**

In a world inundated with displays and the cacophony of instantaneous conversation, the profound power and emotional resonance of verbal beauty often diminish into obscurity, eclipsed by the regular onslaught of noise and distractions. However, situated within the musical pages of **Mercury Alpha 1 Outdrive Manual**, a interesting perform of fictional beauty that pulses with fresh thoughts, lies an remarkable journey waiting to be embarked upon. Penned with a virtuoso wordsmith, this mesmerizing opus courses viewers on an emotional odyssey, softly revealing the latent possible and profound affect embedded within the delicate internet of language. Within the heart-wrenching expanse with this evocative analysis, we shall embark upon an introspective exploration of the book is main themes, dissect their captivating publishing type, and immerse ourselves in the indelible impression it leaves upon the depths of readers souls.

<https://splashdogs.com/public/uploaded-files/Documents/Golden%20Guide%20Ncert%20Social%20Science%20Class%208.pdf>

Table of Contents Mercury Alpha 1 Outdrive Manual

1. Understanding the eBook Mercury Alpha 1 Outdrive Manual
 - The Rise of Digital Reading Mercury Alpha 1 Outdrive Manual
 - Advantages of eBooks Over Traditional Books
2. Identifying Mercury Alpha 1 Outdrive Manual
 - Exploring Different Genres
 - Considering Fiction vs. Non-Fiction
 - Determining Your Reading Goals
3. Choosing the Right eBook Platform
 - Popular eBook Platforms
 - Features to Look for in an Mercury Alpha 1 Outdrive Manual
 - User-Friendly Interface
4. Exploring eBook Recommendations from Mercury Alpha 1 Outdrive Manual
 - Personalized Recommendations

- Mercury Alpha 1 Outdrive Manual User Reviews and Ratings
- Mercury Alpha 1 Outdrive Manual and Bestseller Lists
- 5. Accessing Mercury Alpha 1 Outdrive Manual Free and Paid eBooks
 - Mercury Alpha 1 Outdrive Manual Public Domain eBooks
 - Mercury Alpha 1 Outdrive Manual eBook Subscription Services
 - Mercury Alpha 1 Outdrive Manual Budget-Friendly Options
- 6. Navigating Mercury Alpha 1 Outdrive Manual eBook Formats
 - ePub, PDF, MOBI, and More
 - Mercury Alpha 1 Outdrive Manual Compatibility with Devices
 - Mercury Alpha 1 Outdrive Manual Enhanced eBook Features
- 7. Enhancing Your Reading Experience
 - Adjustable Fonts and Text Sizes of Mercury Alpha 1 Outdrive Manual
 - Highlighting and Note-Taking Mercury Alpha 1 Outdrive Manual
 - Interactive Elements Mercury Alpha 1 Outdrive Manual
- 8. Staying Engaged with Mercury Alpha 1 Outdrive Manual
 - Joining Online Reading Communities
 - Participating in Virtual Book Clubs
 - Following Authors and Publishers Mercury Alpha 1 Outdrive Manual
- 9. Balancing eBooks and Physical Books Mercury Alpha 1 Outdrive Manual
 - Benefits of a Digital Library
 - Creating a Diverse Reading Collection Mercury Alpha 1 Outdrive Manual
- 10. Overcoming Reading Challenges
 - Dealing with Digital Eye Strain
 - Minimizing Distractions
 - Managing Screen Time
- 11. Cultivating a Reading Routine Mercury Alpha 1 Outdrive Manual
 - Setting Reading Goals Mercury Alpha 1 Outdrive Manual
 - Carving Out Dedicated Reading Time
- 12. Sourcing Reliable Information of Mercury Alpha 1 Outdrive Manual
 - Fact-Checking eBook Content of Mercury Alpha 1 Outdrive Manual

- Distinguishing Credible Sources
13. Promoting Lifelong Learning
- Utilizing eBooks for Skill Development
 - Exploring Educational eBooks
14. Embracing eBook Trends
- Integration of Multimedia Elements
 - Interactive and Gamified eBooks

Mercury Alpha 1 Outdrive Manual Introduction

In the digital age, access to information has become easier than ever before. The ability to download Mercury Alpha 1 Outdrive Manual has revolutionized the way we consume written content. Whether you are a student looking for course material, an avid reader searching for your next favorite book, or a professional seeking research papers, the option to download Mercury Alpha 1 Outdrive Manual has opened up a world of possibilities. Downloading Mercury Alpha 1 Outdrive Manual provides numerous advantages over physical copies of books and documents. Firstly, it is incredibly convenient. Gone are the days of carrying around heavy textbooks or bulky folders filled with papers. With the click of a button, you can gain immediate access to valuable resources on any device. This convenience allows for efficient studying, researching, and reading on the go. Moreover, the cost-effective nature of downloading Mercury Alpha 1 Outdrive Manual has democratized knowledge. Traditional books and academic journals can be expensive, making it difficult for individuals with limited financial resources to access information. By offering free PDF downloads, publishers and authors are enabling a wider audience to benefit from their work. This inclusivity promotes equal opportunities for learning and personal growth. There are numerous websites and platforms where individuals can download Mercury Alpha 1 Outdrive Manual. These websites range from academic databases offering research papers and journals to online libraries with an expansive collection of books from various genres. Many authors and publishers also upload their work to specific websites, granting readers access to their content without any charge. These platforms not only provide access to existing literature but also serve as an excellent platform for undiscovered authors to share their work with the world. However, it is essential to be cautious while downloading Mercury Alpha 1 Outdrive Manual. Some websites may offer pirated or illegally obtained copies of copyrighted material. Engaging in such activities not only violates copyright laws but also undermines the efforts of authors, publishers, and researchers. To ensure ethical downloading, it is advisable to utilize reputable websites that prioritize the legal distribution of content. When downloading Mercury Alpha 1 Outdrive Manual, users should also consider the potential security risks associated with online platforms. Malicious actors may exploit vulnerabilities in unprotected websites to

distribute malware or steal personal information. To protect themselves, individuals should ensure their devices have reliable antivirus software installed and validate the legitimacy of the websites they are downloading from. In conclusion, the ability to download Mercury Alpha 1 Outdrive Manual has transformed the way we access information. With the convenience, cost-effectiveness, and accessibility it offers, free PDF downloads have become a popular choice for students, researchers, and book lovers worldwide. However, it is crucial to engage in ethical downloading practices and prioritize personal security when utilizing online platforms. By doing so, individuals can make the most of the vast array of free PDF resources available and embark on a journey of continuous learning and intellectual growth.

FAQs About Mercury Alpha 1 Outdrive Manual Books

What is a Mercury Alpha 1 Outdrive Manual PDF? A PDF (Portable Document Format) is a file format developed by Adobe that preserves the layout and formatting of a document, regardless of the software, hardware, or operating system used to view or print it. **How do I create a Mercury Alpha 1 Outdrive Manual PDF?** There are several ways to create a PDF: Use software like Adobe Acrobat, Microsoft Word, or Google Docs, which often have built-in PDF creation tools. Print to PDF: Many applications and operating systems have a "Print to PDF" option that allows you to save a document as a PDF file instead of printing it on paper. Online converters: There are various online tools that can convert different file types to PDF. **How do I edit a Mercury Alpha 1 Outdrive Manual PDF?** Editing a PDF can be done with software like Adobe Acrobat, which allows direct editing of text, images, and other elements within the PDF. Some free tools, like PDFescape or Smallpdf, also offer basic editing capabilities. **How do I convert a Mercury Alpha 1 Outdrive Manual PDF to another file format?** There are multiple ways to convert a PDF to another format: Use online converters like Smallpdf, Zamzar, or Adobe Acrobats export feature to convert PDFs to formats like Word, Excel, JPEG, etc. Software like Adobe Acrobat, Microsoft Word, or other PDF editors may have options to export or save PDFs in different formats. **How do I password-protect a Mercury Alpha 1 Outdrive Manual PDF?** Most PDF editing software allows you to add password protection. In Adobe Acrobat, for instance, you can go to "File" -> "Properties" -> "Security" to set a password to restrict access or editing capabilities. Are there any free alternatives to Adobe Acrobat for working with PDFs? Yes, there are many free alternatives for working with PDFs, such as: LibreOffice: Offers PDF editing features. PDFsam: Allows splitting, merging, and editing PDFs. Foxit Reader: Provides basic PDF viewing and editing capabilities. How do I compress a PDF file? You can use online tools like Smallpdf, ILovePDF, or desktop software like Adobe Acrobat to compress PDF files without significant quality loss. Compression reduces the file size, making it easier to share and download. Can I fill out forms in a PDF file? Yes, most PDF viewers/editors like Adobe Acrobat, Preview (on Mac), or various online tools allow you to fill out forms in PDF files by

selecting text fields and entering information. Are there any restrictions when working with PDFs? Some PDFs might have restrictions set by their creator, such as password protection, editing restrictions, or print restrictions. Breaking these restrictions might require specific software or tools, which may or may not be legal depending on the circumstances and local laws.

Find Mercury Alpha 1 Outdrive Manual :

golden guide ncert social science class 8

gm 20cadillac repair manual

going it alone report

[gnomes by wil huygen and rien poortvliet abrams january 14 1979](#)

[go math first grade conference notes](#)

gmat critical reasoning official guide

go vr4940 user manual

[gmc savana 3500 engine diagram](#)

gnm nursing internship question paper with answer

gns 430w installation manual

gm factory radio repair

gm obd2 code definitions

go math itools for third grade

gold magic printing machines user guide

golden eye n64 guide

Mercury Alpha 1 Outdrive Manual :

some analysts view the strong 3rd quarter gdp results as a - Aug 16 2021

web oct 31 2023 french gdp grew just 0.1 in the third quarter compared with the previous three months when it beat economists expectations to expand by 0.6 output in

[the improved coupling coordination analysis on the springer](#) - Jun 06 2023

web unit 2 economic indicators and the business cycle unit 3 national income and price determination unit 4 financial sector unit 5 long run consequences of stabilization

three economic circles gdp rhur impacthub net - Aug 28 2022

web trillion dollar club macroeconomics the trillion dollar club is an unofficial classification of the world s major economies with a gross domestic product nominal gdp of more than

economic indicators and the business cycle khan academy - Jul 07 2023

web oct 5 2021 in 2019 the three major economic circles gdp reached 39 05 trillion rmb accounting for 39 33 of the national economy the jing jin ji region the yangtze

gross domestic product third quarter 2023 advance estimate - Sep 16 2021

web 1 day ago the philippine economy grew faster than expected in the third quarter thanks to a boost from state spending that s put the nation back on track to post southeast

lesson summary the circular flow and gdp khan - Oct 10 2023

gdp can be represented by the circular flow diagram as a flow of income going in one direction and expenditures on goods services and resources going in the opposite direction in this diagram households buy see more

three economic circles gdp pqr uiaf gov co - Nov 18 2021

web oct 31 2023 jeffrey roach chief economist at lpl financial argued that it s a last gasp from consumers the real question is if the trend can continue in the coming quarters

circular flow of income and expenditures video khan - Mar 03 2023

web three economic circles gdp 3 3 and used over the past forty years to create unique results in both life and business and which any person or organization can adopt to

economic indicators and the business cycle khan - May 05 2023

web step 2 multiply it by the price at which each product sold step 3 add up the total in 2014 the gdp of the united states totaled 17 4 trillion the largest gdp in the world it s

russia says it s not scared of sanctions but economy still - Sep 04 2020three economic circles gdp lfe io - Jun 25 2022

web 2 days ago bloomberg economics forecasts global gross domestic product expanding 2 7 in 2024 down from 3 in 2023 and a run rate of 3 5 before the pandemic we

the us economy grew at a robust 4 9 rate in the third quarter - Feb 07 2021

web 1 day ago crude oil 80 34 usd bbl 0 59 geopolitics is back war in the middle east is the latest in a series of shocks that demonstrate the power of politics to shape economic

which are the world s biggest economies by gdp - Jan 01 2023

web oct 20 2020 after performing psm the final sample is consisted of 163 cities including 93 pilot cities and 70 non pilot cities from 2001 to 2012 then we adopt multi period did to

imf upgrades china s 2023 2024 gdp growth forecasts - Jul 15 2021

web 18 hours ago if uk gdp shrank in july september it would be the first quarterly decline in a year unless older data is revised today as this chart shows the economy is thought

türkiye Üçüncü Çeyrekte dünyanın en hızlı büyüyen turkey - Oct 18 2021

web nov 7 2023 the imf said continued weakness in the property sector and subdued external demand could restrict gross domestic product growth to 4.6 in 2024 which

what are the 3 main sectors of the economy byju s - Jan 21 2022

web türkiye İstatistik kurumu TÜİK verilerine göre türkiye ekonomisi 2020 yılı üçüncü çeyrekte yüzde 6.7 lik bir büyüme oranı yakaladı ve gayrisafi yurtiçi hasıla gsyİh 1.4 trilyon

5 ways households can join the circular economy world - Feb 19 2022

web three economic circles gdp is reachable in our digital library an online admission to it is set as public appropriately you can download it instantly our digital library saves in

the effects of circular economy on economic growth a quasi - Sep 28 2022

web 4 three economic circles gdp 2023 07 21 pattern and research focus of economic statistics this book continues the critical thinking on the logic of economic

uk economy fails to grow but sidesteps start of a recession - Jan 09 2021

web nov 6 2023 q3 gdp 4.94 y y vs 5.05 in poll q3 nsa gdp 1.60 m m vs 1.71 in poll jakarta nov 6 reuters indonesia s annual economic growth slowed more

indonesia economy posts slowest growth in two years as exports - Oct 06 2020

three economic circles gdp stage gapinc com - Nov 30 2022

web sep 18 2023 three economic circles gdp global economy to edge up to 3.1 percent in 2018 but three circles of the economy p2p foundation measuring gdp and

uk a stagnation nation after economy fails to grow alison rose - Apr 11 2021

web 17 hours ago paul dales chief economist with consultancy capital economics said the fine details of the data showed gdp did decline by a marginal 0.02 even if the figure

u s economic growth accelerated in the third quarter - Dec 20 2021

web oct 26 2023 real gross domestic product gdp increased at an annual rate of 4.9 percent in the third quarter of 2023

table 1 according to the advance estimate

uk economy stagnates in third quarter as high rates bite - Mar 11 2021

web 16 hours ago by tim wallace 10 november 2023 8 25am britain s economy flatlined in the three months to september as high interest rates hammered household spending

oil shocks and silicon shortages the high cost of geopolitics - Nov 06 2020

three economic circles gdp vps huratips com - Jul 27 2022

web oct 26 2023 7 min the u s economy grew by an annualized rate of 4.9 percent in the third quarter the strongest pace since 2021 as spending by families businesses and

three core principles of the circular economy planet ark - Oct 30 2022

web 2 three economic circles gdp 2022 05 25 reserves the global economic crisis that began in 2008 greatly affected china s economy china s exports imports and foreign

third quarter gdp shows u s economy grew at a blockbuster - Apr 23 2022

web the 3 main sectors of the economy are primary secondary and tertiary sectors manufacturing comes under the secondary sector extraction of raw materials industries

trillion dollar club macroeconomics wikipedia - May 25 2022

web oct 6 2023 borrowing your neighbour s hedge cutters composting dividing plants or saving seeds for future use might seem like everyday activities for some but they are

gdp and the circular flow macro topic 2 1 youtube - Sep 09 2023

web sep 11 2019 in this episode i explain the gross domestic product gdp the three ways it is calculated and connect it to the financial sector i also explain how georg

high interest rates grind uk economy to a halt the telegraph - Dec 08 2020

web 1 day ago russia s current account surplus cratered almost 80 during the first nine months of 2023 from a year earlier to 41 billion the country s revenues from energy a

eleven recessions three elections and an answer bloomberg - Mar 23 2022

web oct 26 2023 by lydia depillis oct 26 2023 the united states economy surged in the third quarter as a strong job market and falling inflation gave consumers the confidence

measuring the size of the economy gross domestic - Apr 04 2023

web feb 2 2012 the islander sets up a firm to manage his resources including land a building and his own labor a circular flow of goods and services result from factors of production

[europe s economy risks a recession after output falls in the third](#) - May 13 2021

web oct 26 2023 gross domestic product a measure of all goods and services produced in the economy grew at an annualized 4.9 rate in the third quarter the commerce

[philippine gdp grows faster than expected in third quarter](#) - Jun 13 2021

web 18 hours ago 2:11 the uk economy flatlined in the third quarter reducing the risk of a 2023 recession but suggesting britain is facing a protracted period of stagnation as

economic cycle definition and 4 stages of the business - Aug 08 2023

web macroeconomics 8 units 46 skills unit 1 basic economics concepts unit 2 economic indicators and the business cycle unit 3 national income and price determination unit 4

1 towards a circular economy key drivers oecd ilibrary - Feb 02 2023

web oct 21 2020 underpinned by a transition to renewable energy sources the circular model builds economic natural and social capital there are three primary principles

[a treatise on carriages comprehending coaches](#) - Aug 20 2023

web volume 1 of a treatise on carriages comprehending coaches chariots phaetons curricles whisks c together with their proper harness william felton

[a treatise on the law relating to the carriage of goods by sea](#) - May 05 2022

web treatise on military carriages and other manufactures of the royal carriage department william kemmis h m stationery office 1874 carriage and wagon making 223 pages

william felton a treatise on carriages comprehending - May 17 2023

web february 17 2023 history edit an edition of a treatise on carriages 1996 a treatise on carriages comprehending coaches chariots phaetons curricles whiskies c together

[a treatise on wheel carriages or considerations comments and](#) - Jun 06 2022

web nov 14 2017 treatise on military carriages and other manufactures of the royal carriage department 4th edition 1888 usage public domain mark 1.0 topics artillery

[treatise on military carriages and other manufactures of the](#) - Apr 04 2022

web carriage agreement means any contract relating to retransmission exhibition distribution subdistribution carriage display or broadcast of i any signal or portion thereof

treatise on carriage - Nov 11 2022

web tuesday 16 july 2019 curricles gigs and phaetons in the regency by rachel knowles ladies in a phaeton from gallery of fashion by nikolaus von heideloff 1794 it is

a treatise on carriages comprehending coaches chariots - Jul 19 2023

web title a treatise on carriages comprehending coaches chariots phaetons curricles whiskeys c together with their proper harness in which the fair prices of every article

carriage agreement definition law insider - Feb 02 2022

web jan 10 2023 15 1 1 g we are not responsible for any illness injury or disability including death attributable to your physical condition or for the aggravation of such condition

a treatise on carriages comprehending coaches chariots - Dec 12 2022

web may 1 1996 a treatise on carriages hardcover may 1 1996 by william felton author 5 0 1 rating see all formats and editions hardcover 80 00 1 new from 80 00 purchase

contract of carriage terms conditions thai airways - Nov 30 2021*treatise on carriage sign and ornamental painting archive org* - Aug 08 2022

web treatise wheelcarriages xlatteredbysuccessinaninferiorenterprize ihavebeeninducedtoproceedstillfarther and

law on carriage of goods by sea the singapore law gazette - Jul 07 2022

web get this from a library a treatise on the law relating to the carriage of goods by sea thomas gilbert carver james s henderson

a treatise on carriages google books - Jun 18 2023

web jul 10 2017 treatise on carriages comprehending coaches chariots phaetons curricles whiskeys c together with their proper harness in which the fair prices of

treatise on military carriages and other manufactures of the royal - Mar 03 2022

web 15 1 1 g we are not responsible for any illness injury or disability including death attributable to your physical condition or for the aggravation of such condition 15 1 1 h

category a treatise on carriages 1796 wikimedia commons - Jan 13 2023

web a treatise on carriages comprehending coaches chariots phaetons curricles whiskeys c together with their proper harness practical carriage and wagon

a treatise on carriages hardcover may 1 1996 amazon com - Oct 10 2022

web treatise on carriage sign and ornamental painting by campbell orson publication date 1841 topics carriage and wagon painting sign painting publisher scott n y r r

curricles gigs and phaetons in the regency regency history - Sep 09 2022

web 2 min read by toh kian sing sc the 3 rd edition of the law on carriage of goods by sea by senior judge professor tan lee

meng is a much awaited addition to the literature on

treatise on carriages comprehending coaches chariots - Apr 16 2023

web this is a book that is a comprehensive guide to carriages coaches stagecoaches and other forms of transportation

published 1974 1975 london bl uk collection

a treatise on carriages by william felton open library - Mar 15 2023

web a treatise on horse drawn carriages comprehending coaches chariots phaetons curricles whiskies c together with their proper harness in which the fair prices of

a treatise on carriages the british library - Oct 22 2023

web a treatise on carriages comprehending coaches chariots phaetons book digitized by google from the library of harvard university and uploaded to the internet archive by

a treatise on carriages cove - Feb 14 2023

web sep 9 2021 a treatise on carriages comprehending coaches chariots phaetons curricles whiskies c together with their proper harness in which the authors

a treatise on carriages comprehending coaches chariots - Sep 21 2023

web a treatise on carriages comprehending coaches chariots phaetons curricles whiskeys c together with their proper harness in which the fair prices of every article are

contract of carriage terms conditions thai airways - Jan 01 2022

solutions for quantum mechanics 2nd by bransden b joachain - Aug 16 2023

web step by step video answers explanations by expert educators for all quantum mechanics 2nd by bransden b joachain c only on numerade com get 5 free video unlocks on our app with code gomobile

quantum mechanics bransden joachain solution manual pdf - Feb 10 2023

web this online notice quantum mechanics bransden joachain solution manual can be one of the options to accompany you considering having new time it will not waste your time take on me the e book will very freshen you other business to read

quantum mechanics bransden joachain solution manual - Aug 04 2022

web the basic elements implemented for the technique are discussed and the geometry of the instrumentation is explained the book covers each of the features that have been observed in the x ray photoemission spectra and provides the tools

necessary for their understanding and correct identification

solutions manual to quantum mechanics 2nd edition bransden - Mar 31 2022

web may 26 2010 i was wondering whenever anywhere know if are present a solutions product for quantum mechanics 2nd

edition by b festivity bransden and c j joachain after some

quantum mechanics textbook solutions physics stack exchange - Jun 14 2023

web oct 11 2022 modified 10 months ago viewed 75 times 1 i am trying to study quantum physics on my own time and i have been using the textbook introduction to quantum mechanics by bransden and joachain as my guide

solutions manual to quantum mechanics 2nd edition bransden - Nov 07 2022

web nov 1 2022 i was wondering if anyone know if there exists a solutions manual to quantum mechanics 2nd edition by b h bransden and c j joachain after some extensive googling i did not find one i assume that there are problems in the book not solved by the authors can anyone confirm this

quantum mechanics bransden solution manual - Jun 02 2022

web acuteness of this quantum mechanics bransden solution manual can be taken as with ease as picked to act modern electrodynamics andrew zangwill 2013 an engaging writing style and a strong focus on the physics make this graduate level textbook a must have for electromagnetism students quantum mechanics eugen merzbacher 1998

solutions manual bransden s qm 2nd ed physics forums - Mar 11 2023

web aug 27 2017 479 12 hi all does anyone know if bransden s book has a solutions manual out there somewhere i would loathe to go through the chapters before realising that i can t find solutions to its exercises

solutions manual to quantum mechanics 2nd edition bransden - Oct 06 2022

web may 26 2010 solutions manual to quantume workings 2nd output bransden joachain thread starter k4ff3 start date may 26 2010 tags mechanics quantum quantum mechanics quantum quantum mechanics

quantum mechanics bransden joachain solution manual - Apr 12 2023

web quantum mechanics bransden joachain solution manual the preview only show first 10 pages of manuals please download to view the full documents loading preview please wait submitted by raju goswami file size 64 8 kb file type application pdf

quantum mechanics bransden joachain pdf document - Sep 05 2022

web dec 13 2015 2020 concise quantum mechanics web view2020 concise quantum mechanics 2018 2020 concise quantum mechanics 2017 2020 concise quantum mechanics 2020 concise quantum mechanics quantum theory ph3210 1books and further reading 1 1 books bransden and

quantum mechanics bransden solution manual - Feb 27 2022

web the quantum mechanics bransden solution manual is universally compatible past any devices to read introduction to quantum mechanics b h bransden 1989 a nicely conceived and executed text for advanced undergraduate students of physics except for the final chapter epr paradox bell s theorem etc the topics treated their sequence and the

github - Dec 08 2022

web payload allshortcutsenabled false filetree contributor guides items name 2011 livro como dizer tudo em italiano aprenda a falar a lngua dos

quantum mechanics b h brandsen textbook solutions manual - Jul 15 2023

web dec 20 2021 i m sorry but the only official way to get a solution manual if it exists at all which is usually not the case is to contact the editor or a bookstore and see if you can get one all other sources are either on the brink of legality or papers of unknown origin

quantum mechanics 2nd edition brandsen b h joachain c j - Dec 28 2021

web throughout the book brandsen and joachain give equal importance to the wave and matrix formalisms of quantum mechanics a nice feature of this book is the presentation of the schrodinger equation in momentum space a treatment not found in much detail in many undergrad texts

quantum mechanics brandsen joachain solution manual - Jul 03 2022

web download free brandsen and joachain quantum mechanics solutions inspiring the brain to think augmented and faster can be undergone by some ways experiencing listening to the extra experience adventuring studying training and more practical comings and goings may assist you to improve but here if you get not have passable

solutions for quantum mechanics 2nd numerade - May 13 2023

web solutions for quantum mechanics 2nd brian harold brandsen charles jean joachain get access to all of the answers and step by step video explanations to this book and 5 000 more try numerade free join free today chapters 1 the origins of quantum theory 0 sections 30 questions 2 the wave function and the uncertainty principle 0 sections

solutions to selected exercises and problems oxford university press - Jan 09 2023

web the complete solutions manual is available to adopting lecturers only chapter 00 introduction and orientation pdf chapter 01 the foundations of quantum mechanics pdf chapter 02 linear motion and the harmonic oscillator pdf chapter 03 rotational motion and the hydrogen atom pdf chapter 04 angular momentum pdf chapter 05

brandsen and joachain solutions manual ams istanbul edu - Jan 29 2022

web quantum mechanics b h brandsen textbook solutions manual pdf quantum mechanics brandsen joachain solutions solutions brandsen joachain physics of atoms and molecules

quantum mechanics brandsen solution manual harvard university - May 01 2022

web quantum mechanics brandsen solution manual that you are looking for it will entirely squander the time however below taking into consideration you visit this web page it will be suitably very simple to get as capably as download lead quantum mechanics brandsen solution manual it will not allow many become old as we run by before you can do

