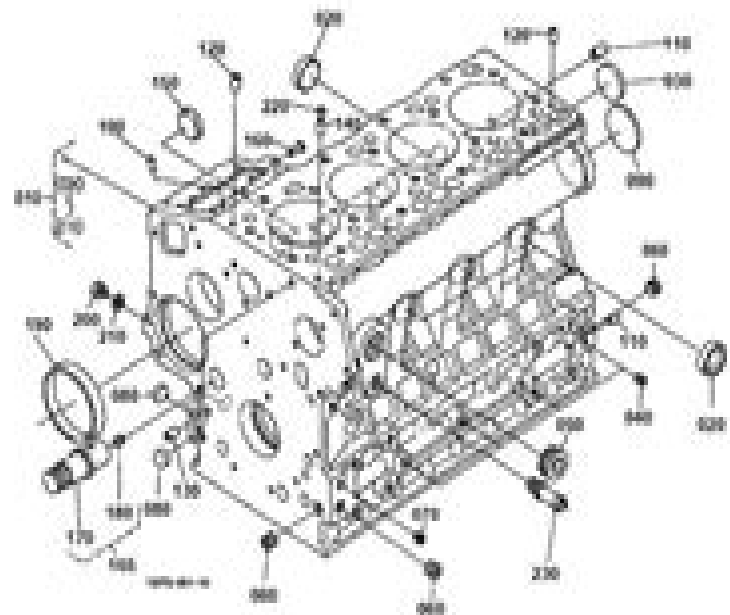


Item	Part No.	Description	Stock
HYDRAULIC SYSTEM	816111	1 FRONT LINKAGE (SLIP ROD)	10000714
	816115	LOWER LINK	10000714
	816120	1 FRONT LINKAGE (TOP LINK)	10000714
	816125	CHECK CHAIN	10000714
	816126	PIG PROTECTOR	10000714
WOOD/BORNE TYRONS	816205	FRONT GRILLE	10000714
	816206	BONNET	10000714
	816210	PANEL COVER	10000714
	816220	SIDE COVER	10000714
	816230	SCAFFER PLATE	10000714
	816240	FENDER	10000714
	816250	FLOOR SEAT	10000714
	816257	SEAT SUPPORT	10000714
	816260	STEP	10000714
	8162647	ROPS KIT (RIGID TYPE)	10000714
	8162650	ROPS KIT (FOLDABLE TYPE)	10000714
	816265	SPY EMULEN	10000714
FRONT WHEEL/REAR WHEEL	8161001	FRONT WHEEL (7-10)	10000714
	8161002	FRONT WHEEL (275 50-12)	10000714
	8161003	FRONT WHEEL (275 50-15M)	10000714
	8161004	FRONT WHEEL (275 50-16)	10000714
	8161005	REAR WHEEL (12 4-10)	10000714
LABEL	8161006	REAR WHEEL (12 4-10)	10000714
	8161007	REAR WHEEL (12 4-15M)	10000714
	8161008	REAR WHEEL (12 4-16)	10000714
	8161009	LABEL (A)	10000714
ACCESSORIES OPTION	8161010	LABEL (C)	10000714
	817100	ACCESSORIES AND SERVICE PARTS	10000714
	8163501	MULTI-PTO (OPTION)	10000714
	8163502	MULTI-PTO (OPTION)	10000714

Ref. 8160005D

Page 11/01

CHASSIS



Ref. 8160005D

Page 1

# Kubota B7800hsd Service Manual

**Annelies Wilder-Smith**



**Kubota B7800hsd Service Manual:**

*Farmers and Consumers Market Bulletin* ,2011      **5010-I Tractor Service Manual** Deere & Company,1963  
Service Repair Manual David Brown Tractors Ltd,1979      *411 R Wheel Tractor Service Manual* Fiat (Firm),1963  
**John Deere 2955 Tractor Technical Service Repair Manual** ,1991-12-15      Service Manual ,1972      **John Deere**  
**310A Backhoe Loader Tractor Technical Service Repair Manual** ,1982-12-15      **John Deere 950 Tractor Technical**  
**Service Repair Manual** ,1986-08-15      John Deere 4030 Tractor Technical Service Repair Manual ,1978-01-15      **John**  
**Deere 1050 Tractor Technical Service Repair Manual** ,1986-08-15      Service Manual for Model HD-19H Tractor  
Allis-Chalmers Company,1949      **John Deere 2950 Tractor Technical Service Repair Manual** ,1986-08-15      **Service**  
**Manual** Allis-Chalmers Manufacturing Company,1976      Service Manual ,1970      *Service Manual* ,1966      *John Deere*  
*770 Compact Utility Tractor Technical Service Repair Manual* ,1999-03-15      **Service Manual for HD7-HD10-HD14**  
**Diesel Tractors** Allis-Chalmers Company,1949      **Service Manual** Diamond T Motor Car Company. Service Dept,1948  
**Mazda Bongo Friendee Service Manual** JPNZ (Firm),2006      Service Manual for Model HD 11 Tractor  
Allis-Chalmers Manufacturing Company,1958

Uncover the mysteries within Crafted by is enigmatic creation, Discover the Intrigue in **Kubota B7800hsd Service Manual** . This downloadable ebook, shrouded in suspense, is available in a PDF format ( Download in PDF: \*). Dive into a world of uncertainty and anticipation. Download now to unravel the secrets hidden within the pages.

[https://splashdogs.com/book/detail/Download\\_PDFS/Garnishment\\_Procedure\\_Manual.pdf](https://splashdogs.com/book/detail/Download_PDFS/Garnishment_Procedure_Manual.pdf)

## **Table of Contents Kubota B7800hsd Service Manual**

1. Understanding the eBook Kubota B7800hsd Service Manual
  - The Rise of Digital Reading Kubota B7800hsd Service Manual
  - Advantages of eBooks Over Traditional Books
2. Identifying Kubota B7800hsd Service Manual
  - Exploring Different Genres
  - Considering Fiction vs. Non-Fiction
  - Determining Your Reading Goals
3. Choosing the Right eBook Platform
  - Popular eBook Platforms
  - Features to Look for in an Kubota B7800hsd Service Manual
  - User-Friendly Interface
4. Exploring eBook Recommendations from Kubota B7800hsd Service Manual
  - Personalized Recommendations
  - Kubota B7800hsd Service Manual User Reviews and Ratings
  - Kubota B7800hsd Service Manual and Bestseller Lists
5. Accessing Kubota B7800hsd Service Manual Free and Paid eBooks
  - Kubota B7800hsd Service Manual Public Domain eBooks
  - Kubota B7800hsd Service Manual eBook Subscription Services
  - Kubota B7800hsd Service Manual Budget-Friendly Options
6. Navigating Kubota B7800hsd Service Manual eBook Formats

- ePub, PDF, MOBI, and More
  - Kubota B7800hsd Service Manual Compatibility with Devices
  - Kubota B7800hsd Service Manual Enhanced eBook Features
7. Enhancing Your Reading Experience
    - Adjustable Fonts and Text Sizes of Kubota B7800hsd Service Manual
    - Highlighting and Note-Taking Kubota B7800hsd Service Manual
    - Interactive Elements Kubota B7800hsd Service Manual
  8. Staying Engaged with Kubota B7800hsd Service Manual
    - Joining Online Reading Communities
    - Participating in Virtual Book Clubs
    - Following Authors and Publishers Kubota B7800hsd Service Manual
  9. Balancing eBooks and Physical Books Kubota B7800hsd Service Manual
    - Benefits of a Digital Library
    - Creating a Diverse Reading Collection Kubota B7800hsd Service Manual
  10. Overcoming Reading Challenges
    - Dealing with Digital Eye Strain
    - Minimizing Distractions
    - Managing Screen Time
  11. Cultivating a Reading Routine Kubota B7800hsd Service Manual
    - Setting Reading Goals Kubota B7800hsd Service Manual
    - Carving Out Dedicated Reading Time
  12. Sourcing Reliable Information of Kubota B7800hsd Service Manual
    - Fact-Checking eBook Content of Kubota B7800hsd Service Manual
    - Distinguishing Credible Sources
  13. Promoting Lifelong Learning
    - Utilizing eBooks for Skill Development
    - Exploring Educational eBooks
  14. Embracing eBook Trends
    - Integration of Multimedia Elements
    - Interactive and Gamified eBooks

## Kubota B7800hsd Service Manual Introduction

Free PDF Books and Manuals for Download: Unlocking Knowledge at Your Fingertips In today's fast-paced digital age, obtaining valuable knowledge has become easier than ever. Thanks to the internet, a vast array of books and manuals are now available for free download in PDF format. Whether you are a student, professional, or simply an avid reader, this treasure trove of downloadable resources offers a wealth of information, conveniently accessible anytime, anywhere. The advent of online libraries and platforms dedicated to sharing knowledge has revolutionized the way we consume information. No longer confined to physical libraries or bookstores, readers can now access an extensive collection of digital books and manuals with just a few clicks. These resources, available in PDF, Microsoft Word, and PowerPoint formats, cater to a wide range of interests, including literature, technology, science, history, and much more. One notable platform where you can explore and download free Kubota B7800hsd Service Manual PDF books and manuals is the internet's largest free library. Hosted online, this catalog compiles a vast assortment of documents, making it a veritable goldmine of knowledge. With its easy-to-use website interface and customizable PDF generator, this platform offers a user-friendly experience, allowing individuals to effortlessly navigate and access the information they seek. The availability of free PDF books and manuals on this platform demonstrates its commitment to democratizing education and empowering individuals with the tools needed to succeed in their chosen fields. It allows anyone, regardless of their background or financial limitations, to expand their horizons and gain insights from experts in various disciplines. One of the most significant advantages of downloading PDF books and manuals lies in their portability. Unlike physical copies, digital books can be stored and carried on a single device, such as a tablet or smartphone, saving valuable space and weight. This convenience makes it possible for readers to have their entire library at their fingertips, whether they are commuting, traveling, or simply enjoying a lazy afternoon at home. Additionally, digital files are easily searchable, enabling readers to locate specific information within seconds. With a few keystrokes, users can search for keywords, topics, or phrases, making research and finding relevant information a breeze. This efficiency saves time and effort, streamlining the learning process and allowing individuals to focus on extracting the information they need. Furthermore, the availability of free PDF books and manuals fosters a culture of continuous learning. By removing financial barriers, more people can access educational resources and pursue lifelong learning, contributing to personal growth and professional development. This democratization of knowledge promotes intellectual curiosity and empowers individuals to become lifelong learners, promoting progress and innovation in various fields. It is worth noting that while accessing free Kubota B7800hsd Service Manual PDF books and manuals is convenient and cost-effective, it is vital to respect copyright laws and intellectual property rights. Platforms offering free downloads often operate within legal boundaries, ensuring that the materials they provide are either in the public domain or authorized for distribution. By adhering to copyright laws, users can enjoy the benefits of free access to knowledge while supporting the authors and

publishers who make these resources available. In conclusion, the availability of Kubota B7800hsd Service Manual free PDF books and manuals for download has revolutionized the way we access and consume knowledge. With just a few clicks, individuals can explore a vast collection of resources across different disciplines, all free of charge. This accessibility empowers individuals to become lifelong learners, contributing to personal growth, professional development, and the advancement of society as a whole. So why not unlock a world of knowledge today? Start exploring the vast sea of free PDF books and manuals waiting to be discovered right at your fingertips.

### **FAQs About Kubota B7800hsd Service Manual Books**

1. Where can I buy Kubota B7800hsd Service Manual books? Bookstores: Physical bookstores like Barnes & Noble, Waterstones, and independent local stores. Online Retailers: Amazon, Book Depository, and various online bookstores offer a wide range of books in physical and digital formats.
2. What are the different book formats available? Hardcover: Sturdy and durable, usually more expensive. Paperback: Cheaper, lighter, and more portable than hardcovers. E-books: Digital books available for e-readers like Kindle or software like Apple Books, Kindle, and Google Play Books.
3. How do I choose a Kubota B7800hsd Service Manual book to read? Genres: Consider the genre you enjoy (fiction, non-fiction, mystery, sci-fi, etc.). Recommendations: Ask friends, join book clubs, or explore online reviews and recommendations. Author: If you like a particular author, you might enjoy more of their work.
4. How do I take care of Kubota B7800hsd Service Manual books? Storage: Keep them away from direct sunlight and in a dry environment. Handling: Avoid folding pages, use bookmarks, and handle them with clean hands. Cleaning: Gently dust the covers and pages occasionally.
5. Can I borrow books without buying them? Public Libraries: Local libraries offer a wide range of books for borrowing. Book Swaps: Community book exchanges or online platforms where people exchange books.
6. How can I track my reading progress or manage my book collection? Book Tracking Apps: Goodreads, LibraryThing, and Book Catalogue are popular apps for tracking your reading progress and managing book collections. Spreadsheets: You can create your own spreadsheet to track books read, ratings, and other details.
7. What are Kubota B7800hsd Service Manual audiobooks, and where can I find them? Audiobooks: Audio recordings of books, perfect for listening while commuting or multitasking. Platforms: Audible, LibriVox, and Google Play Books offer a wide selection of audiobooks.

8. How do I support authors or the book industry? Buy Books: Purchase books from authors or independent bookstores. Reviews: Leave reviews on platforms like Goodreads or Amazon. Promotion: Share your favorite books on social media or recommend them to friends.
9. Are there book clubs or reading communities I can join? Local Clubs: Check for local book clubs in libraries or community centers. Online Communities: Platforms like Goodreads have virtual book clubs and discussion groups.
10. Can I read Kubota B7800hsd Service Manual books for free? Public Domain Books: Many classic books are available for free as they're in the public domain. Free E-books: Some websites offer free e-books legally, like Project Gutenberg or Open Library.

### **Find Kubota B7800hsd Service Manual :**

*garnishment procedure manual*

[gas chromatography report eucalyptus citriodora](#)

[gas station owners guide](#)

**gas turbine lm6000 operation manual**

[garageb 11 manual](#)

[gas club car service manual](#)

[garmin nuvi 780 user manual](#)

[garmin zumo 660 motorcycle gps](#)

[garmin nuvi 265t manual](#)

[gas variable answers](#)

[gates mcginitie scoring guide grade 7](#)

[garmin nuvi660 manual](#)

[gas laws study guide answer key](#)

[garmin nuvi 260 user manual](#)

*gaston tome le repos du gaffeur*

### **Kubota B7800hsd Service Manual :**

**accounting a level and as level harold randall google books** - Apr 14 2023

web feb 10 2005 accounting a level and as level harold randall cambridge university press feb 10 2005 juvenile nonfiction



368 pages suitable for one year as level courses and for two year a  
*accounting as level and a level cambridge university press* - Aug 06 2022

web contents preface topics grid the accounting system double entry bookkeeping cash transactions double entry  
bookkeeping credit transactions books of prime or original entry balancing accounts the classification of accounts and  
division of the ledger the trial balance ii financial accounting

**advanced level accounting complete course texts harold randall** - Nov 09 2022

web dec 1 1990 written for the a level accounting syllabus this text is on the reading lists of the aeb and the oxford and  
cambridge gce advanced level examining boards it has been updated in line with syllabus requirements and includes material  
on sensitivity analysis it also includes multi choice questions

**level accounting by harold randall abebooks** - Mar 01 2022

web lets a level textbooks a level accounting 3rd edition by harold randall and a great selection of related books art and  
collectibles available now at abebooks com

**advanced level accounting 1996 harold randall letts pdf** - Jan 31 2022

web accounting a level and as level harold randall google advanced level accounting by harold randall advanced level  
accounting harold randall google books advanced level accounting 1996 harold advanced level accounting book 1996  
worldcat org level accounting by harold randall abebooks harold randall

**advanced level accounting by harold randall goodreads** - Mar 13 2023

web dec 1 1990 advanced level accounting harold randall 4 28 148 ratings 14 reviews written for the a level accounting  
syllabus this text is on the reading lists of the aeb and the oxford and cambridge gce advanced level examining boards it has  
been updated in line with syllabus requirements and includes material on sensitivity analysis

cambridge international as and a level accounting textbook - Jun 04 2022

web jul 5 2012 cambridge international as and a level accounting textbook harold randall david hopkins cambridge  
university press jul 5 2012 juvenile nonfiction 383 pages cambridge international

**accountancy cambridge university press** - Dec 10 2022

web qualification cambridge as and a level author s david hopkins deborah malpas harold randall michael seagrove available  
from february 2022 this series supports teachers and students of cambridge international as a level accounting 9706 for  
examination from 2023

**pdf a level accounting h randall free download pdf** - Jul 05 2022

web download a level accounting h randall free in pdf format account 52 167 144 219 login register search search partner  
sites youtube to mp3 converter about us this project started as a student project in 2014 and was presented in 2017 every

aspect of the internet we believe ought to be free as a consequence this utility was  
**cambridge international as and a level accounting coursebook** - May 03 2022

web oct 9 2017 imported from amazon com record cambridge international as and a level accounting coursebook by david hopkins harold randall oct 09 2017 cambridge university press edition paperback

**advanced level accounting randall harold 1926 free** - Aug 18 2023

web advanced level accounting by randall harold 1926 publication date 1996 topics accounting examinations questions etc accounting publisher london lets educational

download a level accounting h randall documents and e books - Apr 02 2022

web download a level accounting h randall type pdf date october 2019 size 107 5mb this document was uploaded by user and they confirmed that they have the permission to share it if you are author or own the copyright of this book please report to us by using this dmca report form report dmca

**cambridge international as and a level accounting coursebook** - Jan 11 2023

web feb 10 2023 cambridge international as and a level accounting coursebook with digital access 2 years by david hopkins deborah malpas harold randall michael seagrove 2021 university of cambridge esol examinations cambridge university press edition in

**accounting as level and a level cambridge university press** - May 15 2023

web as level and a level accounting harold randall published by the press syndicate of the university of cambridge the pitt building trumpington street cambridge united kingdom 3 books of prime or original entry 12 4 balancing accounts 19 5 the classification of accounts and division of the ledger 21

a level accounting h randall pdf scribd - Jul 17 2023

web a level accounting h randall free ebook download as pdf file pdf or read book online for free accounting

*advanced level accounting h randall 9789814289610 amazon com books* - Feb 12 2023

web jan 1 1996 written for the a level accounting syllabus this text is on the reading lists of the aeb and the oxford and cambridge gce advanced level examining boards it has been updated in line with syllabus requirements and includes material on sensitivity analysis it also includes multi choice questions

**harold randall author of advanced level accounting goodreads** - Sep 07 2022

web let us know if not help out and invite harold to goodreads harold randall is the author of advanced level accounting 4 28 avg rating 148 ratings 14 reviews published 1990 cambridge international as and a le

**advanced level accounting harold randall google books** - Sep 19 2023

web advanced level accounting harold randall lets educational 1996 accounting 583 pages written for the a level accounting

syllabus this text is on the reading lists of the aeb and

**advanced level accounting complete course texts paperback** - Oct 08 2022

web buy advanced level accounting complete course texts 2 by randall harold isbn 9781858050089 from amazon s book store everyday low prices and free delivery on eligible orders

**accounting as level and a level randall harold free** - Jun 16 2023

web advanced embedding details examples and help favorite share flag phishing advertising misleading inaccurate missing metadata texts accounting as level and a level by randall harold publication date 2004 topics accounting accounting examinations questions etc better world books download

**world general knowledge mcqs exploring the world css times** - Mar 10 2023

web jun 17 2023 welcome to our blog post that will take you on a journey around the globe testing your knowledge with a series of world general knowledge mcqs from iconic landmarks to renowned artists historical events to famous inventions and everything in between this collection of mcqs will challenge your understanding of the world we live in

[competitive examination exploring the world of mcqs](#) - Mar 30 2022

web exploring the world of mcqs tries to overcome the hurdles faced by aspirants in preparing for different competitive examination barring the urban centres of pakistan there are very few platforms in rural areas where aspirants could get their queries answered

**discovering the world of english with grammar composition by** - Jul 02 2022

web description discovering the world of english with grammar composition and essays translations by jwt we feel pleasure in announcing the publication of the latest and revised edition of discovering the world of english grammar 6 composition

**english mcqs for preparation fpsc nts kppsc ppsc and other** - Jun 01 2022

web english mcqs for preparation fpsc nts kppsc ppsc and other test here you will find english mcqs here you can take english quiz from these mcqs

*ilmi exploring the world of english by sayyid saadat ali shah* - Jan 08 2023

web ilmi exploring the world of english by sayyid saadat ali shah a practical course in grammar and composition for css pms and competitive examination with css 2023 solved paper condition new

*pak mcqs pk the pakistan s leading mcq website* - Dec 27 2021

web pak mcqs pk the pakistan s leading mcq website

[world explorations mcqs with answers](#) - Dec 07 2022

web sep 13 2023 world explorations mcqs are very important in english portion of test and often asked by various testing services and competitive exams around the world here you will find all the important world explorations mcqs for preparation

[exploring the world of english syiid saadat ali shah online](#) - Feb 26 2022

web book name exploring the world of english book author syiid saadat ali shah book publisher ilmi kitab khana edition 2023 language english category css pms pcs book code obs0314 book quality paperback

**ilmi exploring the world of english 2022 23 ilmi kitab khana** - Aug 03 2022

web ilmi exploring the world of english 2022 23 a practical course in composition for competitive examination candidates originally by sayyid saadat ali shah revised by ali arshad rana book author sayyid saadat ali shah subjects english ppsc fpssc spssc kppsc bpsc nts

**english quiz net quiz questions and answers mcqs and tests** - Jul 14 2023

web english quiz net 1000s of free english quizzes and tests on english grammar english poetry poets dramas novels short stories authors and school syllabi including cbse icse and other boards practise your vocabulary and grammar skills with english quiz and and test your english

[exploring the world of english mcqs pdf 2023 voto uncal edu](#) - Nov 06 2022

web exploring the world of english mcqs pdf the enigmatic realm of exploring the world of english mcqs pdf unleashing the language is inner magic in a fast paced digital era where connections and knowledge intertwine the enigmatic realm of language reveals its inherent magic

**exploring the world of english syed saadat ali shah ilmi css** - Feb 09 2023

web exploring the world of english syed saadat ali shah this is fairly comprehensive book on english composition it has been prepared on modern principles evolved from long experience and so arranged that it can be used by various categories of students it is not intended for children or juveniles

[mcqs feed how fiv](#) - Apr 30 2022

web want to learn english online let s give your thoughts the words the way you want learning english with sir syed kazim ali helps you reach your full potential at a pace that suits you

**esl quizzes englishclub** - Aug 15 2023

web welcome to englishclub esl quizzes where you can test your knowledge of english with a quiz and have fun at the same time there are quizzes for all levels on grammar vocabulary pronunciation and more you can do all quizzes online on phone tablet or desktop and most of them can also be printed on paper to be done offline perhaps as

**ilmi exploring the world of english by syed sadat free pdf** - Apr 11 2023

web nov 12 2020 the entire spectrum of english was explored in the book exploring the world of english english vocabulary english idioms english word substitution phrases expressions and english grammar are all covered in this book

**download now ilmi exploring the world of english in pdf** - May 12 2023

web sep 16 2020 in this book exploring the world of english it fully covered the basics to advanced english this book covers english vocabulary english idioms english one word substitute phrase expressions and english grammar exploring the world of english by sayyid saadat ali shah also covered the essay writing skills with the *discovering the world of vocabulary by adeel niaz jwt pdf english* - Sep 04 2022

web jun 4 2022 *discovering the world of vocabulary by adeel niaz jwt pdf mcqstrick* until thoughts are communicated in some form of language they stay jumbled we must express our thoughts in writing speech or action else they will remain hazy muddled and half torpid

**ilmi exploring the world of english pdf free download** - Jun 13 2023

web apr 27 2021 we bring you the most important english book *ilmi exploring the world of english in pdf* for free download this book is very important for any english subject related or english portion related tests of nts ppsc fpssc and many other testing services tests

**verbal english mcqs and quiz test for preparation academic** - Oct 05 2022

web august 29 2020 english academic task brings english grammar and vocabulary multiple choice questions mcqs this section contains the latest mcqs of english for the preparation of competitive exams and entrance test for fpssc nts kppsc ppsc etea iba and other tests here you will find questions answers with detailed *exploring the world of english language teaching youtube* - Jan 28 2022

web oct 28 2016 sign up now at bit ly 2toxtbj *exploring the world of english language teaching* is a free online course by cambridge english language assessment on futurelearn com  
*my brother s name is jessica hardcover 18 april 2019* - Apr 27 2023

web apr 18 2019 *growing up facts of life* buy new 6 20 rrp 12 99 details save 6 79 52 2 80 delivery 15 18 september details select delivery location only 1 left in stock buy now payment secure transaction dispatches from lynx 27 sold by lynx 27 returns returnable within 30 days of receipt payment secure transaction

**my brother s name is jessica by john boyne goodreads** - Oct 02 2023

web apr 18 2019 *my brother s name is jessica* by john boyne goodreads home my books browse community sign in join jump to ratings and reviews want to read buy on amazon rate this book *my brother s name is jessica john boyne* 3 43 5 273 ratings 767 reviews sam waver s life has always been pretty quiet

*my brother s name is jessica by john boyne waterstones* - Nov 22 2022

web apr 16 2020 *my brother s name is jessica* by john boyne waterstones this item can be found in children s teenage fiction family home children s teenage fiction humour children s teenage fiction school *my brother s name is jessica* paperback john boyne author 7 reviews sign in to write a review

**my brother s name is jessica paperback 16 april 2020** - Oct 22 2022

web apr 16 2020 john boyne is the author of fourteen novels for adults six for younger readers and a collection of short stories his 2006 novel the boy in the striped pyjamas has sold more than 11 million copies worldwide and has been adapted for cinema theatre ballet and opera his many international bestsellers include the heart s invisible furies

my brother s name is jessica john boyne - May 29 2023

web my brother s name is jessica john boyne my brother s name is jessica sam waver s life has always been pretty quiet a bit of a loner he struggles to make friends and his busy parents often make him feel invisible luckily for sam his older brother jason has always been there for him

*my brother s name is jessica john boyne google books* - Feb 23 2023

web apr 16 2020 my brother s name is jessica john boyne google books my brother s name is jessica john boyne penguin books limited apr 16 2020 juvenile fiction 256 pages this poignant and

**my brother s name is jessica kapak değişebilir amazon com tr** - Sep 01 2023

web my brother s name is jessica kapak değişebilir boyne john amazon com tr kitap Çerez tercihlerinizi seçin Çerez bildirimimizde ayrıntılı şekilde açıklandığı üzere alışveriş yapmanızı sağlamak alışveriş deneyiminizi iyileştirmek ve hizmetlerimizi sunmak için gerekli olan çerezleri ve benzer araçları kullanırız

my brother s name is jessica review literature sauce - Jun 17 2022

web apr 10 2019 synopsis you re the best brother in the world jason you know that but that s just it sam i don t think i m your brother at all in fact i m pretty sure i m your sister sam waver has always idolised his big brother jason unlike sam jason seems to have life sorted he s kind popular amazing at football

**my brother s name is jessica book review spoilers** - Jul 19 2022

web sep 12 2019 that said here is the original review where death of the author was a heavy factor yesterday i bought and read my brother s name is jessica by john boyne 2019 who wrote the boy in the striped pyjamas 2006 as i write for lgbtqia young adults seeing this book at my local bookshop with its beautiful rainbow pattern was pretty

*my brother s name is jessica book reviews rgfe reading* - Jan 25 2023

web jul 13 2022 his brother jason is very popular and a brilliant footballer but sam is quieter and more introvert it follows the story of how sam and his mother and father cope with the news that jason is transgender when 17 year old jason reveals to the family that he is in fact now identifying as a girl jessica sam and his parents are bewildered and

*extract my brother s name is jessica by john boyne* - Mar 15 2022

web apr 16 2019 my brother s name is jessica john boyne extract there s a story i ve heard many times about how my brother jason got the scar that runs above his left eye almost parallel with his eyebrow he was four years old when i was born

and he d wanted a brother a sister or a dog for as long as he could remember but mum and dad had

[john boyne hits back at critics of transgender novel](#) - Jul 31 2023

web may 31 2019 john boyne this article is more than 4 years old john boyne hits back at critics of transgender novel author says it is the job of writers to put themselves into the minds of others mark brown

**my brother s name is jessica on apple books** - Feb 11 2022

web apr 18 2019 my brother s name is jessica john boyne 4 2 13 ratings 5 99 5 99 publisher description this poignant and disarming story is full of heart and its crescendo will give you tingles attitude magazine outstanding irish examiner sam has known his sister jessica all his life tonight is the first time they re going to meet

[my brother s name is jessica penguin books new zealand](#) - Aug 20 2022

web apr 16 2019 i loved my brother s name is jessica it s a story with so much heart that the pages practically pulse a moving thought provoking surprising read don t miss it sarah webb author of the ask amy green series john boyne made his name with the boy in the striped pyjamas and he s on stellar form in my brother s name is jessica

**my brother s name is jessica amazon com** - Sep 20 2022

web apr 18 2019 collectiblecounty returns eligible for return refund or replacement within 30 days of receipt payment secure transaction we work hard to protect your security and privacy our payment security system encrypts your information during transmission

[my brother s name is jessica penguin books australia](#) - Dec 24 2022

web apr 16 2019 i loved my brother s name is jessica it s a story with so much heart that the pages practically pulse a moving thought provoking surprising read don t miss it sarah webb author of the ask amy green series john boyne made his name with the boy in the striped pyjamas and he s on stellar form in my brother s name is jessica

**my brother s name is jessica penguin books uk** - Mar 27 2023

web my brother s name is jessica home john boyne my brother s name is jessica john boyne my brother s name is jessica select a format paperback ebook audio download retailers amazon blackwells bookshop org foyles hive waterstones whsmith summary

**my take my brother s name is jessica by john boyne** - May 17 2022

web may 5 2019 my take my brother s name is jessica by john boyne by amy borg medium my take my brother s name is jessica by john boyne amy borg follow 4 min read may 5 2019 1

[reviewed my brother s name is jessica by john boyne rtÉ](#) - Jun 29 2023

web apr 29 2019 john boyne s new novel for young adults couldn t be more timely by eileen dunne rtÉ newscaster and radio presenter reviewer score publisher puffin hardback as i was reading john boyne s new

**readers who enjoyed my brother s name is jessica also enjoyed** - Apr 15 2022

web john boyne my brother s name is jessica similar books readers who enjoyed my brother s name is jessica also enjoyed my brother s name is jessica by john boyne 3 29 avg rating 3131 ratings sam waver s life has always been pretty quiet a bit of a loner he struggles to make friends and his busy parents often make him feel invisible