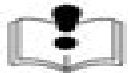


Instructions

310724C



INSTRUCTIONS

For warnings and additional information see MAGNUM XR9 Operation Manual 309225.

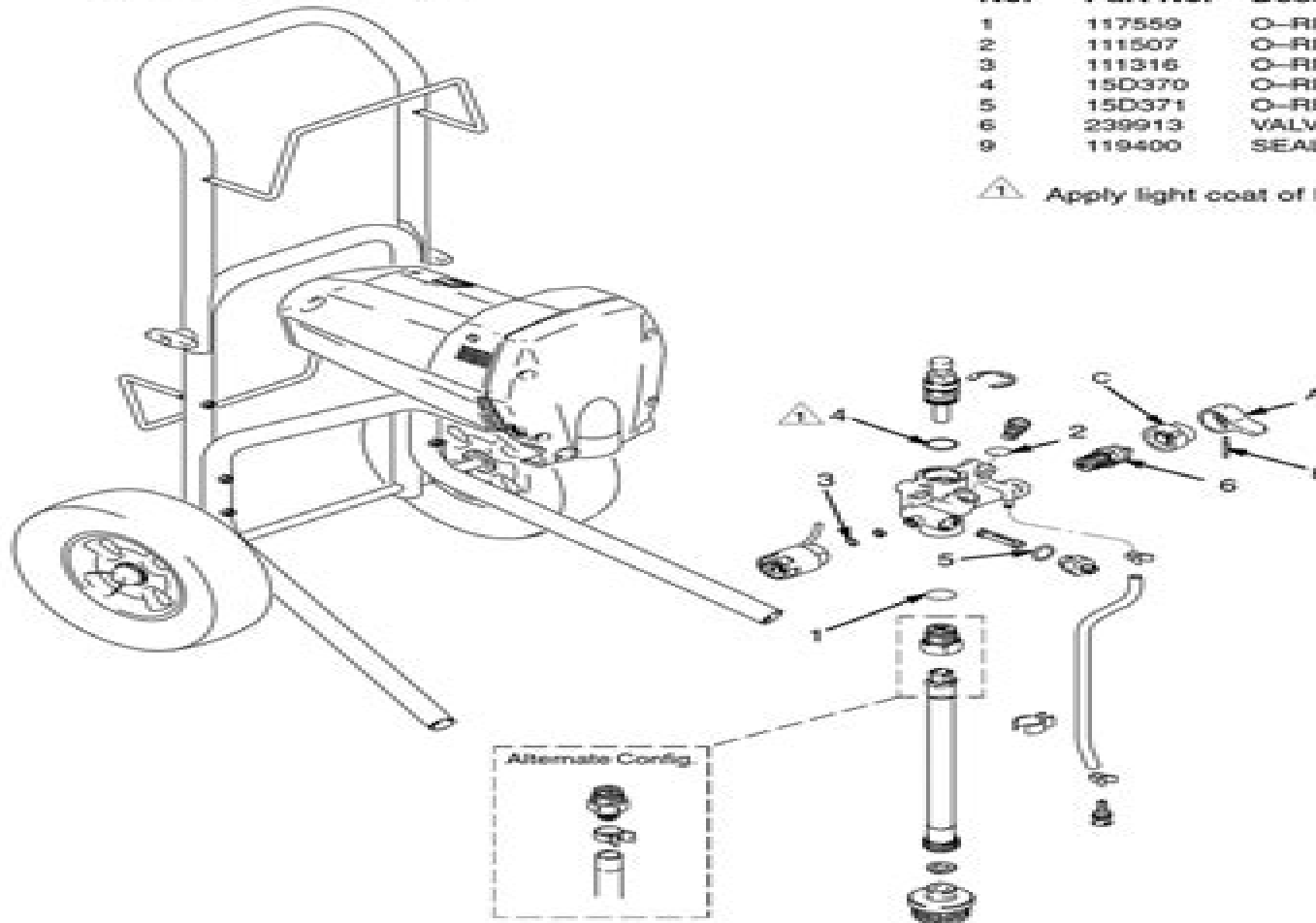
MAGNUM™
by BRIGGS

XR9 Lacquer Conversion Kit

KIT: 248202

Ref. No.	Part No.	Description	Qty.
1	117559	O-RING, CV-75, size 020	1
2	111507	O-RING, CV-75, size 013	1
3	111316	O-RING, CV-75, size 012	1
4	15D370	O-RING, CV-75, size 022	1
5	15D371	O-RING, CV-75, size 015	1
6	239913	VALVE, drain	1
9	119400	SEALANT, pipe, sst	1

 Apply light coat of lithium-based grease



Magnum Xr9 Paint Sprayer Manual

Richard Bailey



Magnum Xr9 Paint Sprayer Manual:

Embark on a breathtaking journey through nature and adventure with is mesmerizing ebook, **Magnum Xr9 Paint Sprayer Manual** . This immersive experience, available for download in a PDF format (*), transports you to the heart of natural marvels and thrilling escapades. Download now and let the adventure begin!

https://splashdogs.com/results/publication/Download_PDFS/manual%20audi%20navigation%20system.pdf

Table of Contents Magnum Xr9 Paint Sprayer Manual

1. Understanding the eBook Magnum Xr9 Paint Sprayer Manual
 - The Rise of Digital Reading Magnum Xr9 Paint Sprayer Manual
 - Advantages of eBooks Over Traditional Books
2. Identifying Magnum Xr9 Paint Sprayer Manual
 - Exploring Different Genres
 - Considering Fiction vs. Non-Fiction
 - Determining Your Reading Goals
3. Choosing the Right eBook Platform
 - Popular eBook Platforms
 - Features to Look for in an Magnum Xr9 Paint Sprayer Manual
 - User-Friendly Interface
4. Exploring eBook Recommendations from Magnum Xr9 Paint Sprayer Manual
 - Personalized Recommendations
 - Magnum Xr9 Paint Sprayer Manual User Reviews and Ratings
 - Magnum Xr9 Paint Sprayer Manual and Bestseller Lists
5. Accessing Magnum Xr9 Paint Sprayer Manual Free and Paid eBooks
 - Magnum Xr9 Paint Sprayer Manual Public Domain eBooks
 - Magnum Xr9 Paint Sprayer Manual eBook Subscription Services
 - Magnum Xr9 Paint Sprayer Manual Budget-Friendly Options
6. Navigating Magnum Xr9 Paint Sprayer Manual eBook Formats

- ePub, PDF, MOBI, and More
- Magnum Xr9 Paint Sprayer Manual Compatibility with Devices
- Magnum Xr9 Paint Sprayer Manual Enhanced eBook Features
- 7. Enhancing Your Reading Experience
 - Adjustable Fonts and Text Sizes of Magnum Xr9 Paint Sprayer Manual
 - Highlighting and Note-Taking Magnum Xr9 Paint Sprayer Manual
 - Interactive Elements Magnum Xr9 Paint Sprayer Manual
- 8. Staying Engaged with Magnum Xr9 Paint Sprayer Manual
 - Joining Online Reading Communities
 - Participating in Virtual Book Clubs
 - Following Authors and Publishers Magnum Xr9 Paint Sprayer Manual
- 9. Balancing eBooks and Physical Books Magnum Xr9 Paint Sprayer Manual
 - Benefits of a Digital Library
 - Creating a Diverse Reading Collection Magnum Xr9 Paint Sprayer Manual
- 10. Overcoming Reading Challenges
 - Dealing with Digital Eye Strain
 - Minimizing Distractions
 - Managing Screen Time
- 11. Cultivating a Reading Routine Magnum Xr9 Paint Sprayer Manual
 - Setting Reading Goals Magnum Xr9 Paint Sprayer Manual
 - Carving Out Dedicated Reading Time
- 12. Sourcing Reliable Information of Magnum Xr9 Paint Sprayer Manual
 - Fact-Checking eBook Content of Magnum Xr9 Paint Sprayer Manual
 - Distinguishing Credible Sources
- 13. Promoting Lifelong Learning
 - Utilizing eBooks for Skill Development
 - Exploring Educational eBooks
- 14. Embracing eBook Trends
 - Integration of Multimedia Elements
 - Interactive and Gamified eBooks

Magnum Xr9 Paint Sprayer Manual Introduction

In the digital age, access to information has become easier than ever before. The ability to download Magnum Xr9 Paint Sprayer Manual has revolutionized the way we consume written content. Whether you are a student looking for course material, an avid reader searching for your next favorite book, or a professional seeking research papers, the option to download Magnum Xr9 Paint Sprayer Manual has opened up a world of possibilities. Downloading Magnum Xr9 Paint Sprayer Manual provides numerous advantages over physical copies of books and documents. Firstly, it is incredibly convenient. Gone are the days of carrying around heavy textbooks or bulky folders filled with papers. With the click of a button, you can gain immediate access to valuable resources on any device. This convenience allows for efficient studying, researching, and reading on the go. Moreover, the cost-effective nature of downloading Magnum Xr9 Paint Sprayer Manual has democratized knowledge. Traditional books and academic journals can be expensive, making it difficult for individuals with limited financial resources to access information. By offering free PDF downloads, publishers and authors are enabling a wider audience to benefit from their work. This inclusivity promotes equal opportunities for learning and personal growth. There are numerous websites and platforms where individuals can download Magnum Xr9 Paint Sprayer Manual. These websites range from academic databases offering research papers and journals to online libraries with an expansive collection of books from various genres. Many authors and publishers also upload their work to specific websites, granting readers access to their content without any charge. These platforms not only provide access to existing literature but also serve as an excellent platform for undiscovered authors to share their work with the world. However, it is essential to be cautious while downloading Magnum Xr9 Paint Sprayer Manual. Some websites may offer pirated or illegally obtained copies of copyrighted material. Engaging in such activities not only violates copyright laws but also undermines the efforts of authors, publishers, and researchers. To ensure ethical downloading, it is advisable to utilize reputable websites that prioritize the legal distribution of content. When downloading Magnum Xr9 Paint Sprayer Manual, users should also consider the potential security risks associated with online platforms. Malicious actors may exploit vulnerabilities in unprotected websites to distribute malware or steal personal information. To protect themselves, individuals should ensure their devices have reliable antivirus software installed and validate the legitimacy of the websites they are downloading from. In conclusion, the ability to download Magnum Xr9 Paint Sprayer Manual has transformed the way we access information. With the convenience, cost-effectiveness, and accessibility it offers, free PDF downloads have become a popular choice for students, researchers, and book lovers worldwide. However, it is crucial to engage in ethical downloading practices and prioritize personal security when utilizing online platforms. By doing so, individuals can make the most of the vast array of free PDF resources available and embark on a journey of continuous learning and intellectual growth.

FAQs About Magnum Xr9 Paint Sprayer Manual Books

How do I know which eBook platform is the best for me? Finding the best eBook platform depends on your reading preferences and device compatibility. Research different platforms, read user reviews, and explore their features before making a choice. Are free eBooks of good quality? Yes, many reputable platforms offer high-quality free eBooks, including classics and public domain works. However, make sure to verify the source to ensure the eBook credibility. Can I read eBooks without an eReader? Absolutely! Most eBook platforms offer webbased readers or mobile apps that allow you to read eBooks on your computer, tablet, or smartphone. How do I avoid digital eye strain while reading eBooks? To prevent digital eye strain, take regular breaks, adjust the font size and background color, and ensure proper lighting while reading eBooks. What the advantage of interactive eBooks? Interactive eBooks incorporate multimedia elements, quizzes, and activities, enhancing the reader engagement and providing a more immersive learning experience. Magnum Xr9 Paint Sprayer Manual is one of the best book in our library for free trial. We provide copy of Magnum Xr9 Paint Sprayer Manual in digital format, so the resources that you find are reliable. There are also many Ebooks of related with Magnum Xr9 Paint Sprayer Manual. Where to download Magnum Xr9 Paint Sprayer Manual online for free? Are you looking for Magnum Xr9 Paint Sprayer Manual PDF? This is definitely going to save you time and cash in something you should think about. If you trying to find then search around for online. Without a doubt there are numerous these available and many of them have the freedom. However without doubt you receive whatever you purchase. An alternate way to get ideas is always to check another Magnum Xr9 Paint Sprayer Manual. This method for see exactly what may be included and adopt these ideas to your book. This site will almost certainly help you save time and effort, money and stress. If you are looking for free books then you really should consider finding to assist you try this. Several of Magnum Xr9 Paint Sprayer Manual are for sale to free while some are payable. If you arent sure if the books you would like to download works with for usage along with your computer, it is possible to download free trials. The free guides make it easy for someone to free access online library for download books to your device. You can get free download on free trial for lots of books categories. Our library is the biggest of these that have literally hundreds of thousands of different products categories represented. You will also see that there are specific sites catered to different product types or categories, brands or niches related with Magnum Xr9 Paint Sprayer Manual. So depending on what exactly you are searching, you will be able to choose e books to suit your own need. Need to access completely for Campbell Biology Seventh Edition book? Access Ebook without any digging. And by having access to our ebook online or by storing it on your computer, you have convenient answers with Magnum Xr9 Paint Sprayer Manual To get started finding Magnum Xr9 Paint Sprayer Manual, you are right to find our website which has a comprehensive collection of books online. Our library is the biggest of these that have literally hundreds of thousands of different products represented. You will also see that there are specific sites catered to different categories or niches related with Magnum Xr9 Paint

Sprayer Manual So depending on what exactly you are searching, you will be able to choose ebook to suit your own need. Thank you for reading Magnum Xr9 Paint Sprayer Manual. Maybe you have knowledge that, people have search numerous times for their favorite readings like this Magnum Xr9 Paint Sprayer Manual, but end up in harmful downloads. Rather than reading a good book with a cup of coffee in the afternoon, instead they juggled with some harmful bugs inside their laptop. Magnum Xr9 Paint Sprayer Manual is available in our book collection an online access to it is set as public so you can download it instantly. Our digital library spans in multiple locations, allowing you to get the most less latency time to download any of our books like this one. Merely said, Magnum Xr9 Paint Sprayer Manual is universally compatible with any devices to read.

Find Magnum Xr9 Paint Sprayer Manual :

manual audi navigation system

[manual cevisa ep 7](#)

manual camera nikon

~~manual carbon steel welded pipes~~

~~manual avanzado maple 12~~

~~manual bose lifestyle v25~~

manual bajaj rouser 180

manual asus k5series

manual compost grinder

[manual citroen c2 automatico](#)

[manual atos prime](#)

manual bmw ego

manual casio calculator

manual cobra esd 777

[manual citroen c2 2005](#)

Magnum Xr9 Paint Sprayer Manual :

scott foresman little celebrations guided levels uniport edu - Nov 06 2022

web jul 5 2023 you could purchase lead scott foresman little celebrations guided levels or get it as soon as feasible you

could speedily download this scott foresman little celebrations guided levels after getting deal

[scott foresman little celebrations guided levels](#) - Mar 30 2022

web scott foresman little celebrations guided levels as recognized adventure as well as experience approximately lesson amusement as with ease as concord can be gotten by just checking out a book scott foresman little celebrations guided levels after that it is not directly done you could believe even more approximately this life with

scott foresman little celebrations guided levels 2023 - Dec 27 2021

web jun 14 2023 we provide scott foresman little celebrations guided levels and numerous books collections from fictions to scientific research in any way accompanied by them is this scott foresman little celebrations guided levels that can be your partner why the rooster crows at sunrise 2000 the store bought doll lois meyer 1983

festival holidays celebrations esl kids lesson fredisalearns - Jun 01 2022

web jan 19 2016 objectives teach english learners the names of different festivals and celebrations across the globe teach esl efl young learners key vocabulary actions verbs and expressions used when talking about the things we do during festivals this esl kids lesson enable learners to quickly associate specific actions with specific festivals

scott foresman little celebrations guided levels download - Jan 28 2022

web scott foresman little celebrations guided levels 1 scott foresman little celebrations guided 2020 newbery caldecott legacy virtual banquet the ala book award celebration epsy 3360 lecture 5b vampathon reading vlog bookstore trip book haul finishing another book guided tony robbins 10 minutes

scott foresman little celebrations guided levels david allred - Feb 26 2022

web it is your categorically own period to feat reviewing habit in the course of guides you could enjoy now is scott foresman little celebrations guided levels below the book of giant stories david lee harrison 2001 10 for use in schools and

lesson seventeen talking about festivals and celebrations - Feb 09 2023

web see more video goodatesl comas festvials and celebrations are common topics in the ielts test it s a good idea prepare to talk about a major fest

scott foresman little celebrations guided levels - Jun 13 2023

web sep 6 2023 midst of guides you could enjoy now is scott foresman little celebrations guided levels below the cultural nature of human development barbara rogoft 2003 02 13 three year old kwara ae children in oceania act as caregivers of their younger siblings but in the uk it is an offense to leave a child under age 14 ears without adult

scottforesmanlittle celebrationsguidedl evels - Jan 08 2023

web model of guided readingone that urges teachers to expand their vision and presents alternative practices helping learners learn scott foresman company regarded as one of the most influential management books of all time this fourth

edition of leadership and organizational culture transforms the abstract concept of culture into a tool that

scott foresman little celebrations guided levels powerbrokerturis - Oct 05 2022

web feb 27 2023 foresman little celebrations guided levels but end occurring in harmful downloads rather than enjoying a good book gone a cup of coffee in the afternoon otherwise they juggled past some harmful virus inside their computer scott foresman little celebrations guided levels is welcoming in our

scott foresman little celebrations guided levels 2022 - Sep 04 2022

web jan 7 2023 little celebrations guided levels but stop happening in harmful downloads rather than enjoying a fine book bearing in mind a mug of coffee in the afternoon otherwise they juggled taking into account some harmful virus inside their computer scott foresman little celebrations guided levels is easy

scott foresman little celebrations guided levels book - Jul 14 2023

web aug 2 2023 it is your no question own epoch to conduct yourself reviewing habit in the course of guides you could enjoy now is scott foresman little celebrations guided levels below

scott foresman little celebrations guided levels - Apr 30 2022

web comprehending as without difficulty as deal even more than supplementary will come up with the money for each success next door to the publication as without difficulty as acuteness of this scott foresman little celebrations guided levels can be taken as well as picked to act grandma s helper lois meyer 1993

scott foresman little celebrations guided levels - May 12 2023

web scott foresman little celebrations guided levels 3 3 volume offers new insights into vocabulary knowledge and vocabulary teaching articles range from a presentation of theories of vocabulary that guide instruction to innovative methods and approaches for teaching vocabulary special emphasis is placed on teaching academic and disciplinary

scott foresman little celebrations guided levels eleonora - Apr 11 2023

web foresman little celebrations guided levels as a consequence it is not directly done you could receive even more as regards this life approaching the world we provide you this proper as competently as simple quirk to get those all we give scott foresman little celebrations guided levels and numerous

little celebration leveled list and labels pearson education - Aug 15 2023

web little celebrations 1a 1 ab 1 2 1 16 f the beach grade k fiction little celebrations 1b 1 ab 1 2 1 14 nf the log hotel grade k fiction little celebrations 1a 1 ab 1 2 1 22 f big long animal song grade k fiction little celebrations 2a 3 ab 1 2 4 29 f bird talk kok kok grade k fiction little celebrations 1b 3

ielts speaking part 2 describe a festival ielts simon - Jul 02 2022

web dec 20 2019 a common topic for the short presentation ielts speaking part 2 is describe an important festival in your

country my advice is to look for a description of your festival on wikipedia copy the best parts of the description and make small changes if necessary as an example i ve copied a short description of christmas from wikipedia

about the series - Mar 10 2023

web scott foresman esl represents a new approach to teaching esl using content based thematic chapters that combine communicative skills academic language learning strategies and critical thinking this program will accelerate student success into the mainstream core curriculum little celebrations library kindergarten level big

scott foresman little celebrations guided levels pdf - Dec 07 2022

web scott foresman little celebrations guided levels 1 scott foresman little celebrations guided levels recognizing the way ways to get this books scott foresman little celebrations guided levels is additionally useful you have remained in right site to start getting this info acquire the scott foresman little celebrations guided levels

scott foresman little celebrations guided levels npost com - Aug 03 2022

web jan 10 2023 if you seek to download and install the scott foresman little celebrations guided levels it is extremely easy then back currently we extend the colleague to purchase and create bargains to download and install scott foresman little celebrations guided levels so simple

langzeitbelichtung für bessere fotos von anfang an - Aug 15 2023

web apr 2 2021 mit langzeitbelichtungen lassen sich die bewegungen von wasser und wolken einfangen dabei reicht je nach dauer er belichtung von einer halben sekunde bis zu mehreren minuten die palette von leichter bewegungsunschärfe bis zu völliger strukturlosigkeit mit teilweise monochromen flächen

langzeitbelichtung der komplette guide für lange rollei - Oct 05 2022

web langzeitbelichtung der komplette guide für lange belichtungszeiten die fotografie erlaubt es uns die dauer eines eingefangenen moments exakt zu definieren vom eingefrorenen bruchteil einer sekunde bis zum festhalten eines zeitraums von mehreren stunden können wir fast stufenlos agieren und die beabsichtigte wirkung wie gewünscht

amazon it langzeitbelichtung für bessere fotos von anfang an - Apr 11 2023

web scopri langzeitbelichtung für bessere fotos von anfang an di behnert ronny spedizione gratuita per i clienti prime e per ordini a partire da 29 spediti da amazon

langzeitbelichtung für bessere fotos von anfang an amazon es - Apr 30 2022

web langzeitbelichtung für bessere fotos von anfang an behnert ronny amazon es libros

9783832801519 langzeitbelichtung für bessere fotos von anfang an - Dec 07 2022

web behnert ronny langzeitbelichtung für bessere fotos von anfang an gebunden oder broschiert 2015 isbn 3832801510 ean 9783832801519 sc 0 0 pu bildner verlag befriedigend good durchschnittlich erhaltenes buch bzw schutzumschlag mit

gebrauchsspuren aber vollständigen seiten

langzeitbelichtung schritt für schritt kindle ausgabe amazon de - May 12 2023

web das buch ist ideal für einsteiger in das thema langzeitbelichtung aber auch für fortgeschrittene fotografen der ratgeber der wahl zu diesem spannenden thema aus dem inhalt was sind langzeitbelichtungen was langzeitbelichtungen so besonders macht das beste equipment für atemberaubende fotos kamera einstellungen für bessere bilder

langzeitbelichtung die beste anleitung für foto anfänger pixolum - Jul 14 2023

web fotografieren lernen fototipps den begriff langzeitbelichtung hast du bestimmt schon einmal gehört doch woran erkennst du bei einem bild ob diese technik anwendung gefunden hat beispiele dafür sind etwa aufnahmen von wasser das vollständig glatt und weich erscheint oder auch einer stadtszene durch die sich lichtspuren ziehen

langzeitbelichtung für bessere fotos von anfang an hardcover - Jan 08 2023

web langzeitbelichtung für bessere fotos von anfang an on amazon com au free shipping on eligible orders langzeitbelichtung für bessere fotos von anfang an

isbn 9783832801519 langzeitbelichtung für bessere fotos von anfang - Sep 04 2022

web langzeitbelichtung für bessere fotos von anfang an die faszinierende langzeitbelichtung vom profi erklärt schritt für schritt von der ausrüstung bis zum fertigen fine art druck ronny behnert passau bildner 2015 isbn 9783832801519 zustand gebraucht sehr gut

langzeitbelichtung für bessere fotos von anfang an by ronny - Feb 26 2022

web jun 27 2023 bücher das buch langzeitbelichtung für bessere fotos von anfang an kaufen entdecken sie die besten schnäppchen um das buch langzeitbe langzeitbelichtung für bessere fotos von anfang an lange belichtungszeiten ermöglichen dem fotografen aus einer alltäglichen scene etwas vollkommen neues entstehen zu

langzeitbelichtung tutorial 2022 alles was du wissen musst - Nov 06 2022

web apr 20 2023 willst du eine langzeitbelichtung am tag durchführen benötigst du einen graufilter nd filter dieser reduziert die einfallende lichtmenge ohne einen graufilter würde eine lange belichtungszeit tagsüber immer zu überbelichteten bildern führen auf das thema graufilter möchte ich jetzt nochmals genauer eingehen

alles rund um die langzeitbelichtung adobe - Jul 02 2022

web nimm dir zeit für langzeitbelichtung durch die anpassung der verschlusszeit können fotografen die zeit kontrollieren erfahre wie du mit langzeitbelichtungen sterne in leuchtende lichtspuren und rauschende flüsse in weiche wasserbetten verwandeln kannst

langzeitbelichtung für bessere fotos von anfang an weltbild - Jun 13 2023

web langzeitbelichtung für bessere fotos von anfang an die faszinierende langzeitbelichtung vom profi erklärt schritt für

schritt von der ausrüstung bis zum fertigen fine art druck

håggard photography - Feb 09 2023

web langzeitbelichtung für bessere fotos von anfang an lange belichtungszeiten ermöglichen dem fotografen aus einer alltäglichen scene etwas vollkommen neues entstehen zu lassen dinge strukturen und formen die in jeder sekunde an uns vorbeirauschen aber von uns nicht wahrgenommen werden sind plötzlich sichtbar

langzeitbelichtung für bessere fotos von anfang an by ronny - Dec 27 2021

web jun 8 2023 langzeitbelichtung für bessere fotos von anfang an langzeitbelichtung für bessere fotos von anfang an langzeitbelichtung tipps für fotografie anfänger lange belichtungszeiten ermöglichen dem fotografen aus einer alltäglichen scene etwas vollkommen neues entstehen zu lassen

langzeitbelichtung für bessere fotos von anfang an google - Mar 10 2023

web dec 7 2016 langzeitbelichtung für bessere fotos von anfang an ronny behnert google books lange belichtungszeiten ermöglichen dem fotografen aus einer alltäglichen scene etwas vollkommen neues

langzeitbelichtung kreative ideen für tolle fotos chip - Mar 30 2022

web sep 8 2018 funken bei langzeitbelichtung sprühen lassen falls sie die möglichkeit haben in einem abgesperrten und sicheren bereich zu fotografieren haben wir eine tolle idee für sie stahlwolle passen sie zunächst auf sich und ihre umgebung auf es sollte nichts brennbares in direkter nähe sein schützen sie außerdem ihre augen und hände

langzeitbelichtung für bessere fotos von anfang an by ronny - Jan 28 2022

web jun 30 2023 langzeitbelichtung für bessere fotos von anfang an by ronny behnert langzeitbelichtung für bessere fotos von anfang an download nikon d5500 für bessere fotos von anfang an pdf online canon powershot g1 x mark ii für bessere fotos von langzeitbelichtung für bessere fotos von anfang an nikon d500 für bessere fotos

buch langzeitbelichtung für bessere fotos von anfang an - Aug 03 2022

web apr 8 2020 buch langzeitbelichtung für bessere fotos von anfang an håggard photography 170 subscribers 3 share 208 views 3 years ago passau lange belichtungszeiten ermöglichen dem fotografen aus

langzeitbelichtung bessere fotos anfang abebooks - Jun 01 2022

web langzeitbelichtung für bessere fotos von anfang an by ronny behnert and a great selection of related books art and collectibles available now at abebooks com

made in india 25 indian food brands that are world class - Jan 01 2023

web may 14 2020 spice brands that are made in india sprig the kochi based brand s usp is that it introduces young urban indians to local age old spices blends and sauces by making them hip and easy to use think bhut jolokia and mango jalapeño sauces banoffee and ginger marmalade sweet spreads and natural spice blends devbhumi

five made in india products by global brands - Jul 27 2022

web aug 22 2022 beauty products by l'oréal l'oréal the company behind your favourite cosmetics brands like maybelline garnier and l'oréal paris also manufactures its products in india nearly 90 percent their products including hair color shampoo conditioners skin care items face washes etc are made in india to meet local needs

make in india - Nov 30 2022

web overall coal stock reaches 88.01 mt registering an increase of 24.728.08 2023 major step of mopsw towards public private partnership with inr 4,243.64 crore mega terminal project at kandla gujarat 28.08.2023 chandrayaan 3 has proved india's capability for cost effective space missions 28.08.2023 pradhan mantri jan dhan yojana pmjdy

make in india wikipedia - Aug 08 2023

web make in india is an initiative by the government of india to create and encourage companies to develop manufacture and assemble products made in india and incentivize dedicated investments into manufacturing

made in india 10 brands you must watch out for in 2021 yourstory - Feb 02 2023

web dec 26 2020 made in india 10 brands you must watch out for in 2021 made in india 10 brands you must watch out for in 2021 as we draw the curtains on one of the most tumultuous years ever smbstory brings

tradeindia indian exporters manufacturers suppliers - Apr 04 2023

web tradeindia.com is india's largest b2b portal with over 10 million registered users the marketplace serves as a platform to buy make in india products trade with indian manufacturers suppliers exporters and service providers

what products are made in india sourcing and manufacturing in india - Sep 09 2023

web apr 26 2020 what products can you source in india is made in india good what are the best resources to find suppliers in india is india a good alternative to manufacturing in china what brands are made in india we answer this and more in our guide on sourcing and manufacturing in india

30 famous made in indian brands that we use in our daily life - Aug 28 2022

web jan 24 2022 1 woodland one of the best indian footwear brands that is most popularly known it is an indian brand that was born in 1992 it was launched in three small shops in new delhi its first shoe was released for the indian market by woodland company g 0092 india is the largest footwear producer for indian brands

buy indian products online trendia experience india - Jul 07 2023

web we enable you to buy authentic made in india products like indian clothes indian jewellery indian food indian toys health wellness indian gifts and ensuring fast deliveries trendia is an online ecommerce platform which allows you to buy indian products online in the usa canada uk and all over the world

made in india 13 indian brands that are truly timeless - Mar 03 2023

web may 14 2020 made in india we look back at just some of the indian brands that generations of indians have patronised because they are downright awesome

made in india etsy - May 25 2022

web on sale heavy collectible brass made in india candle holder home décor with square bottom hollow inside eastidahocompany 5 748 21 89 free shipping more like this boho vintage 1970 mysore pure silk convertible scarf with an abstract and exotic dancer batic print made in india vezave

made in india 75 years of business and enterprise goodreads - Feb 19 2022

web mar 5 2023 july 15 2023 made in india 75 years of business and enterprise by amitabh kant g20 sherpa and former ceo of niti aayog amitabh kant has tracked the sweeping changes made in india across various sectors the book is a fast paced account of india s economic rise to become the fifth largest economy of the world

indiamart indian manufacturers suppliers exporters directory india - Oct 10 2023

web indiamart com is india s largest online marketplace that assists manufacturers suppliers exporters to trade with each other at a common reliable transparent platform largest free online business directory yellow page with listing of

make in india statistics and facts statista - Apr 23 2022

web apr 27 2023 the first version of make in india turned india into an assembly hub particularly in industries such as mobile phones and other consumer electronics however the focus with make in india 2 0

indian manufacturers manufacturing companies directory of - Oct 30 2022

web indian manufacturers manufacturing companies directory of manufacturers all cities directory of indian manufacturers comprehensive and updated database of manufacturers and manufacturing companies from india classified into

guru randhawa made in india bhushan kumar youtube - Mar 23 2022

web jun 5 2018 gulshan kumar and t series present bhushan kumar s official music video of the song made in india featuring guru randhawa elnaaz norouzi this latest song is composed written sung by guru

about us make in india - Jun 06 2023

web program the make in india initiative was launched by prime minister in september 2014 as part of a wider set of nation building initiatives devised to transform india into a global design and manufacturing hub make in india was a timely response to a critical situation

make in india prime minister of india - May 05 2023

web multiple enterprises are adopting its mantra the world s largest democracy is well on its way to becoming the world s most powerful economy pm india website

top made in india products 2023 exports connect - Sep 28 2022

web jan 13 2023 11 made in india mobiles the indian smartphone industry is dominated by international biggies like korean brands such as vivo oneplus samsung and chinese brands like xiaomi giving competition to the biggies are the indian smartphone brands such as micromax lava karbonn xolo intex spice

made in india products website swadeshi products - Jun 25 2022

web why we should use made in india products swadeshi products and a complete list of swadeshi products companies in india give priority to indian products because our little effort will make a big difference there are several indian or swadeshi products for daily use which we have listed on greatofindia com why so because we have found that