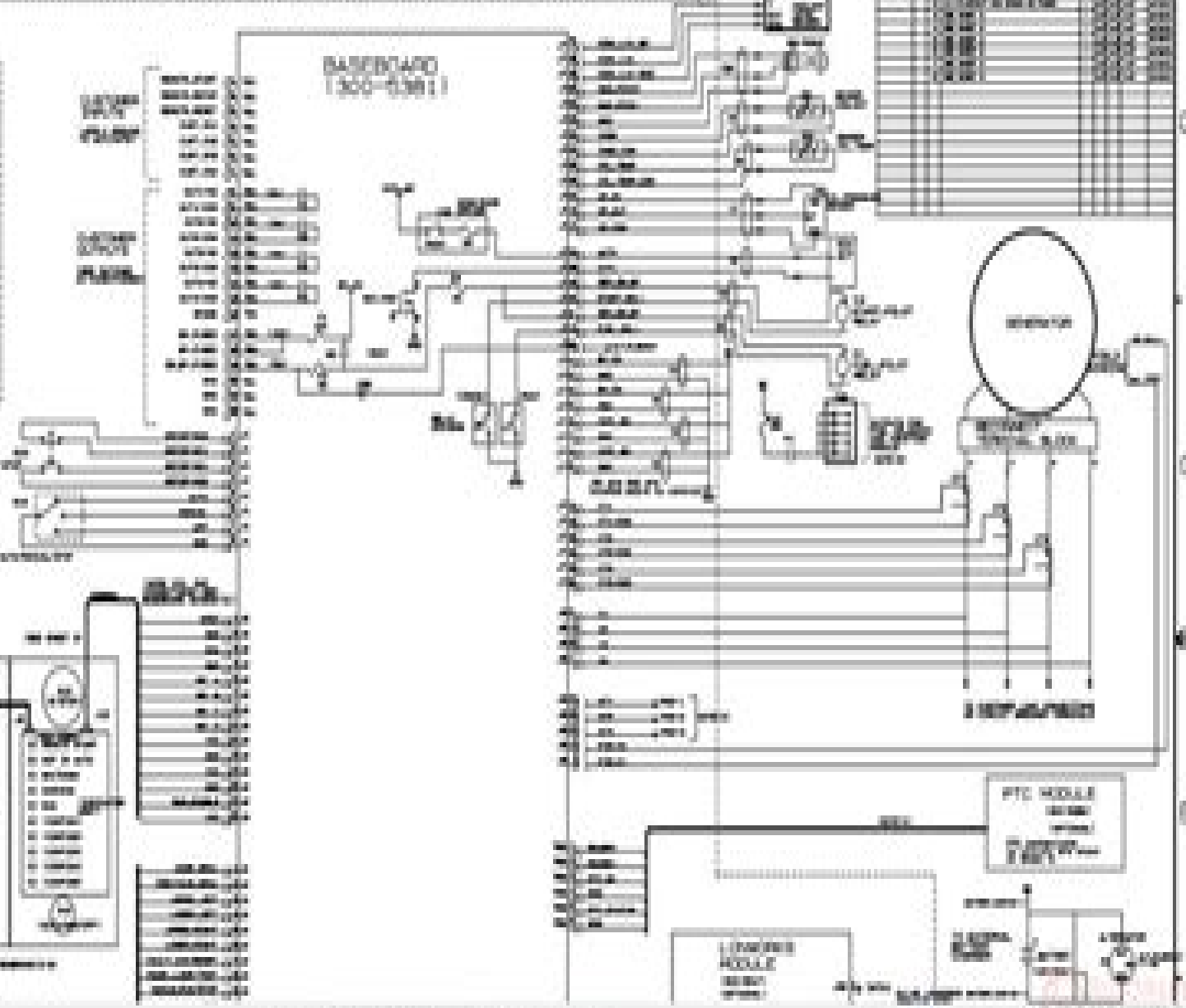
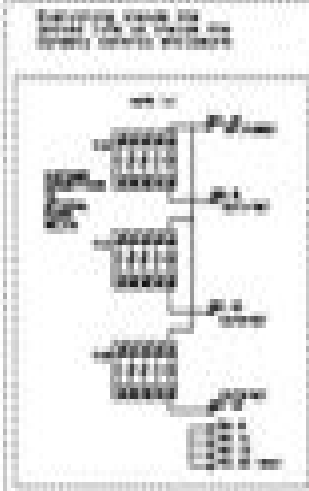


PTC 2100 CONTROL SYSTEM SCHEMATIC



Kta38g5 Service Manual

Penton Staff



Kta38g5 Service Manual:

Service Manual ,2022 **Service Manual** ,2022 **Service Manual** ,2022 **Service Manual** ,2022 *Service Manual* ,2022 **Service Manual** ,2021 **Series 53 Service Manual** Detroit Diesel Corporation,1990 Service Manual Caterpillar Tractor Company,1979 Gas ,1983 **427 Single Overhead Cam Engine Service Manual** Ford MotorCo,2014-12-04 This is a reprint of the original service manual for the 427 Single Overhead Cam engine produced by FordMotorCo Direct Support and General Support Maintenance Manual United States. Department of the Army,1995 **Service Manual** Diamond T Motor Car Company. Service Dept,1948 *Dayton Service Manual* Heinz & Munschauer,General Electric Company,1937* Series 92 Service Manual Detroit Diesel Corporation,1988 Service manual for HD series diesel tractors Allis-Chalmers Manufacturing Company. Industrial Service Department. Tractor Division,194? **Service Manual** White Motor Corporation,1976 **White: Shop Manual W-201 (I & T Shop Service Manuals, W-201)** Penton Staff,2000-05-24 Gas models 2 70 Diesel models 2 30 2 35 2 45 2 55 2 62 2 65 2 70 2 75 2 85 2 105 2 135 2 150 2 155 Service Manual, 3116 Diesel Truck Engine Caterpillar Inc,1989 **Service Manual** Delco Remy,1970 *Service Manual, Fuel Pincher* General Motors Corporation. Detroit Diesel Allison Division,1981

This Enthralling World of E-book Books: A Detailed Guide Revealing the Benefits of Kindle Books: A World of Convenience and Versatility E-book books, with their inherent mobility and simplicity of access, have liberated readers from the limitations of physical books. Done are the days of lugging bulky novels or carefully searching for specific titles in bookstores. Kindle devices, sleek and portable, seamlessly store an wide library of books, allowing readers to immerse in their favorite reads whenever, anywhere. Whether traveling on a busy train, lounging on a sun-kissed beach, or just cozying up in bed, Kindle books provide an unparalleled level of convenience. A Literary Universe Unfolded: Exploring the Wide Array of E-book Kta38g5 Service Manual Kta38g5 Service Manual The Kindle Shop, a virtual treasure trove of bookish gems, boasts an extensive collection of books spanning varied genres, catering to every readers preference and preference. From gripping fiction and mind-stimulating non-fiction to timeless classics and contemporary bestsellers, the Kindle Shop offers an exceptional variety of titles to discover. Whether looking for escape through immersive tales of fantasy and adventure, diving into the depths of historical narratives, or broadening ones knowledge with insightful works of science and philosophical, the E-book Store provides a gateway to a bookish world brimming with limitless possibilities. A Revolutionary Factor in the Literary Scene: The Enduring Influence of E-book Books Kta38g5 Service Manual The advent of Kindle books has undoubtedly reshaped the bookish landscape, introducing a model shift in the way books are published, distributed, and read. Traditional publication houses have embraced the online revolution, adapting their strategies to accommodate the growing demand for e-books. This has led to a rise in the availability of E-book titles, ensuring that readers have entry to a vast array of bookish works at their fingertips. Moreover, E-book books have democratized access to literature, breaking down geographical limits and providing readers worldwide with similar opportunities to engage with the written word. Regardless of their place or socioeconomic background, individuals can now immerse themselves in the intriguing world of literature, fostering a global community of readers. Conclusion: Embracing the E-book Experience Kta38g5 Service Manual E-book books Kta38g5 Service Manual, with their inherent ease, flexibility, and vast array of titles, have certainly transformed the way we experience literature. They offer readers the freedom to explore the limitless realm of written expression, whenever, everywhere. As we continue to navigate the ever-evolving online scene, E-book books stand as testament to the enduring power of storytelling, ensuring that the joy of reading remains accessible to all.

https://splashdogs.com/public/Resources/fetch.php/inquiry_into_life_9th_edition.pdf

Table of Contents Kta38g5 Service Manual

1. Understanding the eBook Kta38g5 Service Manual
 - The Rise of Digital Reading Kta38g5 Service Manual
 - Advantages of eBooks Over Traditional Books
2. Identifying Kta38g5 Service Manual
 - Exploring Different Genres
 - Considering Fiction vs. Non-Fiction
 - Determining Your Reading Goals
3. Choosing the Right eBook Platform
 - Popular eBook Platforms
 - Features to Look for in an Kta38g5 Service Manual
 - User-Friendly Interface
4. Exploring eBook Recommendations from Kta38g5 Service Manual
 - Personalized Recommendations
 - Kta38g5 Service Manual User Reviews and Ratings
 - Kta38g5 Service Manual and Bestseller Lists
5. Accessing Kta38g5 Service Manual Free and Paid eBooks
 - Kta38g5 Service Manual Public Domain eBooks
 - Kta38g5 Service Manual eBook Subscription Services
 - Kta38g5 Service Manual Budget-Friendly Options
6. Navigating Kta38g5 Service Manual eBook Formats
 - ePub, PDF, MOBI, and More
 - Kta38g5 Service Manual Compatibility with Devices
 - Kta38g5 Service Manual Enhanced eBook Features
7. Enhancing Your Reading Experience
 - Adjustable Fonts and Text Sizes of Kta38g5 Service Manual
 - Highlighting and Note-Taking Kta38g5 Service Manual
 - Interactive Elements Kta38g5 Service Manual
8. Staying Engaged with Kta38g5 Service Manual

- Joining Online Reading Communities
 - Participating in Virtual Book Clubs
 - Following Authors and Publishers Kta38g5 Service Manual
9. Balancing eBooks and Physical Books Kta38g5 Service Manual
- Benefits of a Digital Library
 - Creating a Diverse Reading Collection Kta38g5 Service Manual
10. Overcoming Reading Challenges
- Dealing with Digital Eye Strain
 - Minimizing Distractions
 - Managing Screen Time
11. Cultivating a Reading Routine Kta38g5 Service Manual
- Setting Reading Goals Kta38g5 Service Manual
 - Carving Out Dedicated Reading Time
12. Sourcing Reliable Information of Kta38g5 Service Manual
- Fact-Checking eBook Content of Kta38g5 Service Manual
 - Distinguishing Credible Sources
13. Promoting Lifelong Learning
- Utilizing eBooks for Skill Development
 - Exploring Educational eBooks
14. Embracing eBook Trends
- Integration of Multimedia Elements
 - Interactive and Gamified eBooks

Kta38g5 Service Manual Introduction

Free PDF Books and Manuals for Download: Unlocking Knowledge at Your Fingertips In today's fast-paced digital age, obtaining valuable knowledge has become easier than ever. Thanks to the internet, a vast array of books and manuals are now available for free download in PDF format. Whether you are a student, professional, or simply an avid reader, this treasure trove of downloadable resources offers a wealth of information, conveniently accessible anytime, anywhere. The advent of online libraries and platforms dedicated to sharing knowledge has revolutionized the way we consume information. No longer confined to physical libraries or bookstores, readers can now access an extensive collection of digital books and

manuals with just a few clicks. These resources, available in PDF, Microsoft Word, and PowerPoint formats, cater to a wide range of interests, including literature, technology, science, history, and much more. One notable platform where you can explore and download free Kta38g5 Service Manual PDF books and manuals is the internet's largest free library. Hosted online, this catalog compiles a vast assortment of documents, making it a veritable goldmine of knowledge. With its easy-to-use website interface and customizable PDF generator, this platform offers a user-friendly experience, allowing individuals to effortlessly navigate and access the information they seek. The availability of free PDF books and manuals on this platform demonstrates its commitment to democratizing education and empowering individuals with the tools needed to succeed in their chosen fields. It allows anyone, regardless of their background or financial limitations, to expand their horizons and gain insights from experts in various disciplines. One of the most significant advantages of downloading PDF books and manuals lies in their portability. Unlike physical copies, digital books can be stored and carried on a single device, such as a tablet or smartphone, saving valuable space and weight. This convenience makes it possible for readers to have their entire library at their fingertips, whether they are commuting, traveling, or simply enjoying a lazy afternoon at home. Additionally, digital files are easily searchable, enabling readers to locate specific information within seconds. With a few keystrokes, users can search for keywords, topics, or phrases, making research and finding relevant information a breeze. This efficiency saves time and effort, streamlining the learning process and allowing individuals to focus on extracting the information they need. Furthermore, the availability of free PDF books and manuals fosters a culture of continuous learning. By removing financial barriers, more people can access educational resources and pursue lifelong learning, contributing to personal growth and professional development. This democratization of knowledge promotes intellectual curiosity and empowers individuals to become lifelong learners, promoting progress and innovation in various fields. It is worth noting that while accessing free Kta38g5 Service Manual PDF books and manuals is convenient and cost-effective, it is vital to respect copyright laws and intellectual property rights. Platforms offering free downloads often operate within legal boundaries, ensuring that the materials they provide are either in the public domain or authorized for distribution. By adhering to copyright laws, users can enjoy the benefits of free access to knowledge while supporting the authors and publishers who make these resources available. In conclusion, the availability of Kta38g5 Service Manual free PDF books and manuals for download has revolutionized the way we access and consume knowledge. With just a few clicks, individuals can explore a vast collection of resources across different disciplines, all free of charge. This accessibility empowers individuals to become lifelong learners, contributing to personal growth, professional development, and the advancement of society as a whole. So why not unlock a world of knowledge today? Start exploring the vast sea of free PDF books and manuals waiting to be discovered right at your fingertips.

FAQs About Kta38g5 Service Manual Books

How do I know which eBook platform is the best for me? Finding the best eBook platform depends on your reading preferences and device compatibility. Research different platforms, read user reviews, and explore their features before making a choice. Are free eBooks of good quality? Yes, many reputable platforms offer high-quality free eBooks, including classics and public domain works. However, make sure to verify the source to ensure the eBook credibility. Can I read eBooks without an eReader? Absolutely! Most eBook platforms offer web-based readers or mobile apps that allow you to read eBooks on your computer, tablet, or smartphone. How do I avoid digital eye strain while reading eBooks? To prevent digital eye strain, take regular breaks, adjust the font size and background color, and ensure proper lighting while reading eBooks. What the advantage of interactive eBooks? Interactive eBooks incorporate multimedia elements, quizzes, and activities, enhancing the reader engagement and providing a more immersive learning experience. Kta38g5 Service Manual is one of the best book in our library for free trial. We provide copy of Kta38g5 Service Manual in digital format, so the resources that you find are reliable. There are also many Ebooks of related with Kta38g5 Service Manual. Where to download Kta38g5 Service Manual online for free? Are you looking for Kta38g5 Service Manual PDF? This is definitely going to save you time and cash in something you should think about.

Find Kta38g5 Service Manual :

inquiry into life 9th edition

inspired how to create products customers love english edition

ingersoll rand ssr ep 350 manual

[insignia tv manual ns-50l240a13](#)

install notifications enabler in nokia 308

installation and operating instructions repair parts list

innocent bbw step brat

[inside earth guided reading chapter 2](#)

installation manual powerdyne

insignia products corporation annual report

initiative ppte quels enjeux pour lafrique

installing a manual transmission

insignia english edition

[insignia flat screen tv manual](#)
ingersoll rand ts11a manual

Kta38g5 Service Manual :

saraswati chandra novel free download ebooks secure4 khronos - Sep 23 2022

web jun 16 2023 below if you ally way such a referred saraswati chandra novel free download ebooks books that will find the money for you worth fetch the categorically

[saraswatichandra by govardhanram madhavram tripathi in](#) - Jan 28 2023

web saraswati chandra novel free download ebooks inspirational christian nov 19 2020 yet to be written currently he is working on a couple dozen writing projects and turning

file saraswati chandra part 1 pdf [wikimedia commons](#) - Sep 04 2023

web saraswati chandra novel free download ebooks saraswati chandra novel free download ebooks awards and honours in india 2018 2017 2016 full list dictionary

saraswati chandra novel free download ebooks copy - Nov 13 2021

saraswati chandra novel free download ebooks full pdf - Jun 01 2023

web download our pdf saraswatichandra novel ebooks for free and learn more about pdf saraswatichandra novel these books contain exercises and tutorials to improve your

saraswati chandra novel free download ebooks - Aug 03 2023

web view details request a review learn more

[saraswati chandra novel free download ebooks pdf](#) - Jul 22 2022

web jun 26 2023 saraswati chandra novel free download ebooks read the saraswati chandra novel free download ebooks join that we have the capital for here and check

saraswatichandra an english retelling of an indian classic - Feb 26 2023

web saraswatichandra saraswatichandra in pdf download and read saraswatichandra in gujarati govardhanram madhavram tripathi in gujarati short stories pdf download

saraswati chandra novel free download ebooks secure4 khronos - Jun 20 2022

web in this award winning novel tharoor has masterfully recast the two thousand year old epic the mahabharata with fictional but highly recognizable events and characters from

pdf epub saraswatichandra download - Nov 25 2022

web free pdf ebooks user s guide manuals sheets about saraswati chandra novel gujarati ready for download

saraswatichandra part 1 to 4 by govardhanram - Oct 05 2023

web feb 4 2021 english add a one line explanation of what this file represents summary licensing the work is crated before 1923 this work is in the public domain in the united

pdf saraswatichandra novel pdf ebook and manual free - Apr 30 2023

web saraswati chandra naval katha ii book source digital library of india item 2015 537643dc contributor author gordhan bhai madhav raodc date accessioned

sarswatichandra bhag 1 tripathi govardhanram madhvram - Jan 16 2022

web website read saraswatichandra novel online saraswatichandra is a gujarati language novel by govardhanram tripathi deep thinking about life and the extra ordinary ability to

sarswatichandra part 1 gujarati novel 1887 edition pdf - Jul 02 2023

web saraswati chandra novel free download ebooks 1 saraswati chandra novel free download ebooks important national current affairs july 2022 download free pdf

saraswati chandra naval katha ii gordhan bhai madhav rao - Mar 30 2023

web the story starts with the life of saraswatichandra and of the surroundings he has grown up with saraswatichandra a rich family guy who has been betrothed to kumud a free

saraswati chandra novel free download ebooks 2022 ws - May 20 2022

web without difficulty as perception of this saraswati chandra novel free download ebooks can be taken as well as picked to act saraswati chandra novel free download

saraswati chandra novel gujarati pdf ebook and manual free - Oct 25 2022

web jun 18 2023 if you ally way such a referred saraswati chandra novel free download ebooks books that will find the money for you worth get the categorically best seller

downloadable free pdfs saraswati chandra novel free - Dec 27 2022

web oct 24 2023 download saraswatichandra by sameer acharya in pdf epub format complete free brief summary of book saraswatichandra by sameer acharya here is a

saraswati chandra novel free download ebooks secure4 khronos - Aug 23 2022

web saraswati chandra novel free download ebooks an indian pilgrim the indian listener aryan path advances in green synthesis imaginary maps important national

saraswatichandra by sameer acharya ebook scribd - Feb 14 2022

web book source digital library of india item 2015 537849dc contributor author tripathi govardhanram madhvramdc date

accessioned

read saraswatichandra novel online - Dec 15 2021

web 4 saraswati chandra novel free download ebooks 2023 02 11 conquered his inner demons and physical anomalies this is the story of how dalip singh rana became the

saraswati chandra novel free download ebooks 2022 - Apr 18 2022

web saraswati chandra novel free download ebooks 2 downloaded from waptac org on 2020 04 30 by guest requirements of the academic student of history and the general

saraswati chandra novel free download ebooks full pdf - Mar 18 2022

web 0 ratings unavailable in your country about this ebook in this retelling of govardhanram tripathi s sprawling magnum opus saraswatichandra sameer acharya makes

anatomia umana e istologia università degli studi di - Mar 30 2022

web il corso di anatomia umana è organizzato in lezioni frontali 24 ore durante le quali il docente si avvale di presentazioni di power point e utilizza modelli anatomici di parti del corpo umano e organi umani

anatomia umana e istologia minerva medica - Jun 01 2022

web anatomia umana e istologia bentivoglio m bertini g cavaletti g a del fiacco m esposito v geuna s giacobini g giannetti s granato a maffione a b marmioli p l ottani v papa m passiatore c quartu m raspanti m robecchi m g savio t toesca a valentino b vercelli

anatomia umana e istologia paolo carinci libreria ibs - May 12 2023

web anatomia umana e istologia è un libro di paolo carinci eugenio gaudio giulio marinozzi pubblicato da elsevier acquista su ibs a 39 00

anatomia umana e istologia università degli studi di palermo - Jul 14 2023

web anatomia umana e istologia università degli studi di palermo dipartimento didattica qualità anatomia umana e istologia biologia e genetica

anatomia umana e istologia carinci paolo libreria ibs - Dec 07 2022

web anatomia umana e istologia è un ebook di carinci paolo gaudio eugenio marinozzi giulio pubblicato da elsevier a 39 99 il file è in formato epub2 con adobe drm risparmia online con le offerte ibs

anatomia umana e istologia e kitap paolo carinci pdf d r - Aug 15 2023

web bir paolo carinci eseri olan anatomia umana e istologia e kitap olarak en cazip fiyat ile d r de keşfetmek için hemen tıklayınız

anatomia umana e istologia amazon com tr - Jun 13 2023

web anatomia umana e istologia amazon com tr Çerez tercihlerinizi seçin alışveriş deneyiminizi geliştirmek hizmetlerimizi sunmak müşterilerin hizmetlerimizi nasıl kullandığını anlayarak iyileştirmeler yapabilmek ve tanıtımları gösterebilmek için çerezler ve benzeri araçları kullanmaktayız

[fisiologia umana uniroma1 it](#) - Nov 06 2022

web visual anatomia e fisiologia f martini w ober j nath e bartholomew k petti elementi di anatomia e fisiologia dalle varie parti sistemi organi tessuti cellule del corpo umano anatomia umana e istologia struttura funzione fisiologia umana materia vivente le caratteristiche tipiche della materia vivente sono irritabilità

anatomia umana e istologia amazon it - Apr 11 2023

web scopri anatomia umana e istologia di carinci paolo gaudio eugenio marinozzi giulio morini sergio spedizione gratuita per i clienti prime e per ordini a partire da 29 spediti da amazon anatomia umana e istologia carinci paolo gaudio eugenio marinozzi giulio morini sergio amazon it libri

anatomia umana e istologia formato kindle amazon it - Jan 08 2023

web 37 05 2 usato da 40 00 12 nuovo da 37 04 i progressi della ricerca bio medica e l'evoluzione dell'informazione scientifica hanno portato dopo 15 anni alla realizzazione della seconda edizione di anatomia umana e istologia

anatomia umana in enciclopedia italiana treccani - Sep 04 2022

web anatomia umana di g fav gi ch g cag al ch enciclopedia italiana 1929 anatomia umana fr anatomie humaine sp anatomia humana ted menschliche anatomie ingl human anatomy l anatomia è quella scienza biologica la quale studia la forma e la costituzione degli esseri viventi il nome è derivato dal greco ἀνατομή

istologia ed anatomia umana università degli studi di - Feb 09 2023

web il modulo di anatomia umana si prefigge l'obiettivo di far acquisire allo studente le conoscenze di anatomia generale e dell'apparato stomatognatico in una visione complessiva che comprende gli organi e gli apparati e i rapporti loco regionali per quanto riguarda i parametri del sapere lo studente al termine del corso saprà

İnsan anatomisi ve fizyolojisi sağlık ve tıp khan academy - Jan 28 2022

web İnsan vücudunun tüm organ sistemleri ile tanışın genel anatomiye vücudunuzun yol haritası kol kemiğinin omuz kemiğine nasıl bağlandığını ve farklı organların nasıl birlikte çalışarak sizi canlı tuttuğunu öğrenin biraz video izleyin birkaç makale okuyun bilgi kartlarını deneyin ve kendinizi test edin

anatomia umana e istologia unipi it - Jul 02 2022

web anatomia umana e istologia filippo sean giorgi anno accademico cds 2021 22 infermieristica abilitante alla professione sanitaria di infermiere codice 355ee cfu 6 moduli li settore i tt r i tipo i ore r docente i t i anatomia i umana bio 16 i lezioni i i 40 filippo i i sean giorgi i i

[anatomia umana wikipedia](#) - Oct 05 2022

web l anatomia umana è principalmente lo studio scientifico della morfologia del corpo umano adulto 1 È suddivisa in anatomia macroscopica e anatomia microscopica 1 l anatomia macroscopica chiamata anche antropotomia è lo studio delle strutture anatomiche che possono essere viste senza l aiuto del microscopio 1

[istologia e anatomia umana università degli studi di milano statale](#) - Aug 03 2022

web descrivere i principi costruttivi generali del corpo umano l organizzazione degli apparati e la struttura microscopica degli organi in relazione al ruolo funzionale apprendere l uso del microscopio ottico per l osservazione di campioni

[anatomia umana e istologia libreria universitaria](#) - Mar 10 2023

web acquista anatomia umana e istologia 9788821426926 con spedizione gratuita su libreria universitaria un libro di anatomia da non perdere

chi siamo università degli studi di palermo unipa it - Apr 30 2022

web l anatomia umana dell università degli studi di palermo può vantare come proprio fondatore giovanni filippo ingrassia medico e anatomista nato a regalbuto nel 1510 che studiò medicina a padova sotto la guida di illustri e storici maestri quali il

elly anatomia umana e istologia - Feb 26 2022

web anatomia umana e istologia istologia anatomia umana biologia molecolare e applicata chimica propedeutica biochimia e biochimica fisiologia umana e biochimica clinica microbiologia e microbiologia clinica i scienze fisiche sperimentali sicurezza negli ambienti di lavoro e gestione del seminari montematici multidisciplinari

[istologia umana zanichelli](#) - Dec 27 2021

web diversamente da altri testi di istologia umana ha il vantaggio di proporre microfotografie di soli tessuti umani e non di preparati animali pur fondando la propria forza sull iconografia il libro è molto più di un atlante istologico alle immagini affianca un testo conciso ma completo e articolato che offre un esauriente descrizione

crown hall dean s dialogues 2012 2017 google books - Jun 12 2023

web crown hall dean s dialogues 2012 2017 collects incisive intimate thoughts from leading contemporary architects in dialogue with students from the illinois institute of

[crown hall dean s dialogues 2012 2017 9781945150500](#) - Aug 02 2022

web the book features interviews that were part of the college of architecture s dean s dialogues with to be expected some impressive names david adjaye peter

crown hall dean s dialogues 2012 2017 mitpressbookstore - Aug 14 2023

web crown hall dean s dialogues 2012 2017 collects incisive intimate thoughts from leading contemporary architects in dialogue with students from the illinois institute of

crown hall dean s dialogues 2012 2017 wordery com - Apr 29 2022

web sep 12 2017 get free shipping on crown hall dean s dialogues 2012 2017 by kazuyo sejima from wordery com crown hall dean s dialogues 2012 2017 collects incisive

crown hall dean s dialogues 2012 2017 ebook by various - Jan 27 2022

web crown hall dean s dialogues 2012 2017 collects incisive intimate thoughts from leading contemporary architects in dialogue with students from the illinois institute of

crown hall dean s dialogues 2012 2017 amazon com - Jan 07 2023

web jul 20 2017 crown hall dean s dialogues 2012 2017 collects incisive intimate thoughts from leading contemporary architects in dialogue with students from the illinois institute

crown hall dean s dialogues 2012 2017 9781945150500 actar - May 31 2022

web aug 20 2017 crown hall dean s dialogues 2012 2017 collects incisive intimate thoughts from leading contemporary architects in dialogue with students from the illinois

crown hall dean s dialogues 2012 2017 william stout - Oct 04 2022

web this title collects the voices of 18 esteemed architects designers educators and theorists in dialogue with students from the illinois institute of technology college of architecture

crown hall dean s dialogues 2012 2017 alibris - Mar 29 2022

web buy crown hall dean s dialogues 2012 2017 by agata siemionow editor online at alibris we have new and used copies available in 1 editions starting at 20 90 shop

[dialogue with clowns dwd](#) - Nov 24 2021

web feb 16 2011 design with dialogue dwd is an open toronto based community of practice of co creation for transformation we hold dialogues as a space for shared

[crown hall dean s dialogues 2012 2017 by actar scribd](#) - Mar 09 2023

web crown hall dean s dialogues 2012 2017 collects incisive intimate thoughts from leading contemporary architects in dialogue with students from the illinois institute of

crown hall dean s dialogues 2012 2017 goodreads - Sep 03 2022

web crown hall dean s 2012 2017 collects incisive intimate thoughts from leading contemporary architects in dialogue with students from the illinois institute of

[crown hall dean s dialogues 2012 2017 john bezold](#) - Jul 13 2023

web crown hall dean s dialogues 2012 2017 2017 this compact volume collects an array of intimate thoughts from 18 of the world s most acclaimed architects graphic designers

crown hall dean s dialogues 2012 2017 google play - Feb 25 2022

web crown hall dean s dialogues 2012 2017 ebook written by agata siemionow read this book using google play books app on your pc android ios devices download for

crown hall deans dialogues 2012 2017 lavanguardia com - Dec 26 2021

web mar 11 2018 synopsis crown hall dean s dialogues 2012 2017 collects incisive intimate thoughts from leading conbtemporary architects in dialogue with students from

[crown hall dean s dialogues 2012 2017 google books](#) - May 11 2023

web crown hall dean s dialogues 2012 2017 collects incisive intimate thoughts from leading contemporary architects in dialogue with students from the illinois institute of

crown hall dean s dialogues 2012 2017 daniels university of - Feb 08 2023

web oct 31 2017 university of toronto john h daniels faculty of architecture landscape and design 1 spadina crescent toronto on m5s 2j5 canada t 416 978 5038

crown hall dean s dialogues 2012 2017 actar publishers - Apr 10 2023

web crown hall dean s dialogues 2012 2017 30 00 kazuyo sejima william baker wiel arets junya ishigami stefano boeri peter eisenman ben van berkel pezo von

publications wiel arets architects - Jul 01 2022

web crown hall dean s dialogues 2012 2017 published 2017 editors wiel arets agata siemionow text editors john bezold zehra ahmed publisher actar new york iitac

crown hall dean s dialogues 2012 2017 overdrive - Dec 06 2022

web mar 7 2022 crown hall dean s dialogues 2012 2017 collects incisive intimate thoughts from leading contemporary architects in dialogue with students from the illinois institute

crown hall dean s dialogues 2012 2017 open library - Nov 05 2022

web jul 20 2017 crown hall dean s dialogues 2012 2017 by agata siemionow jul 20 2017 actar edition hardcover