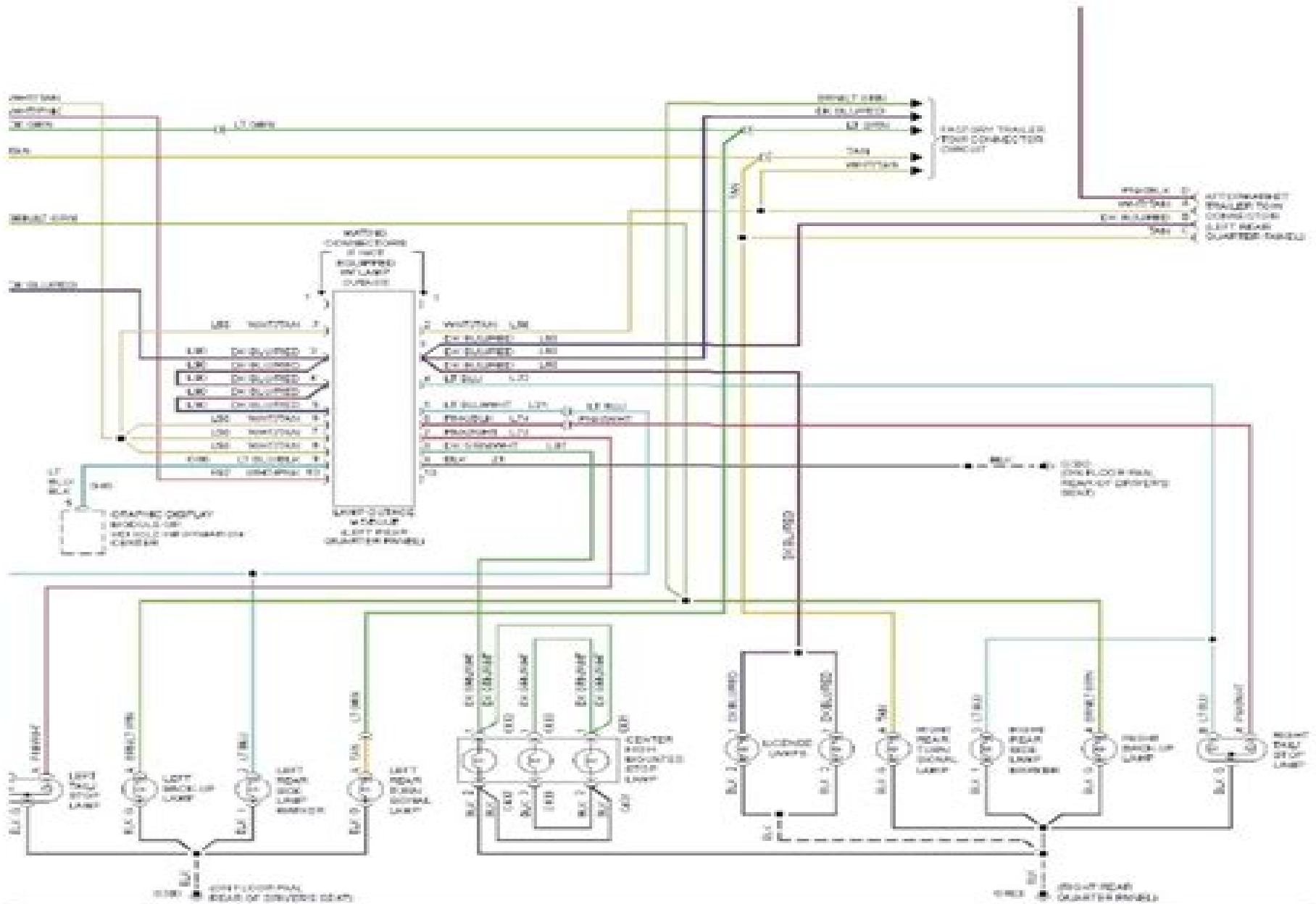


# 1996 Jeep Grand Cherokee Laredo

## SYSTEM WIRING DIAGRAMS

### Fig. 17: Exterior Lamps Circuit (2 of 2)



# Jeep Cherokee Interior Lights Wiring Diagram

**M Walker**



## **Jeep Cherokee Interior Lights Wiring Diagram:**

## Whispering the Techniques of Language: An Mental Journey through **Jeep Cherokee Interior Lights Wiring Diagram**

In a digitally-driven earth wherever displays reign great and instant transmission drowns out the subtleties of language, the profound secrets and psychological nuances hidden within words often move unheard. Yet, situated within the pages of **Jeep Cherokee Interior Lights Wiring Diagram** a fascinating fictional value sporting with organic thoughts, lies a fantastic journey waiting to be undertaken. Penned by an experienced wordsmith, that wonderful opus encourages readers on an introspective journey, delicately unraveling the veiled truths and profound affect resonating within ab muscles fabric of every word. Within the mental depths with this moving evaluation, we will embark upon a sincere exploration of the book is primary themes, dissect its charming writing model, and fail to the strong resonance it evokes deep within the recesses of readers hearts.

[https://splashdogs.com/data/uploaded-files/fetch.php/Ms\\_7528\\_Motherboard\\_Drivers.pdf](https://splashdogs.com/data/uploaded-files/fetch.php/Ms_7528_Motherboard_Drivers.pdf)

### **Table of Contents Jeep Cherokee Interior Lights Wiring Diagram**

1. Understanding the eBook Jeep Cherokee Interior Lights Wiring Diagram
  - The Rise of Digital Reading Jeep Cherokee Interior Lights Wiring Diagram
  - Advantages of eBooks Over Traditional Books
2. Identifying Jeep Cherokee Interior Lights Wiring Diagram
  - Exploring Different Genres
  - Considering Fiction vs. Non-Fiction
  - Determining Your Reading Goals
3. Choosing the Right eBook Platform
  - Popular eBook Platforms
  - Features to Look for in a Jeep Cherokee Interior Lights Wiring Diagram
  - User-Friendly Interface
4. Exploring eBook Recommendations from Jeep Cherokee Interior Lights Wiring Diagram
  - Personalized Recommendations

- Jeep Cherokee Interior Lights Wiring Diagram User Reviews and Ratings
- Jeep Cherokee Interior Lights Wiring Diagram and Bestseller Lists
- 5. Accessing Jeep Cherokee Interior Lights Wiring Diagram Free and Paid eBooks
  - Jeep Cherokee Interior Lights Wiring Diagram Public Domain eBooks
  - Jeep Cherokee Interior Lights Wiring Diagram eBook Subscription Services
  - Jeep Cherokee Interior Lights Wiring Diagram Budget-Friendly Options
- 6. Navigating Jeep Cherokee Interior Lights Wiring Diagram eBook Formats
  - ePub, PDF, MOBI, and More
  - Jeep Cherokee Interior Lights Wiring Diagram Compatibility with Devices
  - Jeep Cherokee Interior Lights Wiring Diagram Enhanced eBook Features
- 7. Enhancing Your Reading Experience
  - Adjustable Fonts and Text Sizes of Jeep Cherokee Interior Lights Wiring Diagram
  - Highlighting and Note-Taking Jeep Cherokee Interior Lights Wiring Diagram
  - Interactive Elements Jeep Cherokee Interior Lights Wiring Diagram
- 8. Staying Engaged with Jeep Cherokee Interior Lights Wiring Diagram
  - Joining Online Reading Communities
  - Participating in Virtual Book Clubs
  - Following Authors and Publishers Jeep Cherokee Interior Lights Wiring Diagram
- 9. Balancing eBooks and Physical Books Jeep Cherokee Interior Lights Wiring Diagram
  - Benefits of a Digital Library
  - Creating a Diverse Reading Collection Jeep Cherokee Interior Lights Wiring Diagram
- 10. Overcoming Reading Challenges
  - Dealing with Digital Eye Strain
  - Minimizing Distractions
  - Managing Screen Time
- 11. Cultivating a Reading Routine Jeep Cherokee Interior Lights Wiring Diagram
  - Setting Reading Goals Jeep Cherokee Interior Lights Wiring Diagram
  - Carving Out Dedicated Reading Time
- 12. Sourcing Reliable Information of Jeep Cherokee Interior Lights Wiring Diagram
  - Fact-Checking eBook Content of Jeep Cherokee Interior Lights Wiring Diagram

- Distinguishing Credible Sources
- 13. Promoting Lifelong Learning
  - Utilizing eBooks for Skill Development
  - Exploring Educational eBooks
- 14. Embracing eBook Trends
  - Integration of Multimedia Elements
  - Interactive and Gamified eBooks

### **Jeep Cherokee Interior Lights Wiring Diagram Introduction**

In this digital age, the convenience of accessing information at our fingertips has become a necessity. Whether its research papers, eBooks, or user manuals, PDF files have become the preferred format for sharing and reading documents. However, the cost associated with purchasing PDF files can sometimes be a barrier for many individuals and organizations. Thankfully, there are numerous websites and platforms that allow users to download free PDF files legally. In this article, we will explore some of the best platforms to download free PDFs. One of the most popular platforms to download free PDF files is Project Gutenberg. This online library offers over 60,000 free eBooks that are in the public domain. From classic literature to historical documents, Project Gutenberg provides a wide range of PDF files that can be downloaded and enjoyed on various devices. The website is user-friendly and allows users to search for specific titles or browse through different categories. Another reliable platform for downloading Jeep Cherokee Interior Lights Wiring Diagram free PDF files is Open Library. With its vast collection of over 1 million eBooks, Open Library has something for every reader. The website offers a seamless experience by providing options to borrow or download PDF files. Users simply need to create a free account to access this treasure trove of knowledge. Open Library also allows users to contribute by uploading and sharing their own PDF files, making it a collaborative platform for book enthusiasts. For those interested in academic resources, there are websites dedicated to providing free PDFs of research papers and scientific articles. One such website is Academia.edu, which allows researchers and scholars to share their work with a global audience. Users can download PDF files of research papers, theses, and dissertations covering a wide range of subjects. Academia.edu also provides a platform for discussions and networking within the academic community. When it comes to downloading Jeep Cherokee Interior Lights Wiring Diagram free PDF files of magazines, brochures, and catalogs, Issuu is a popular choice. This digital publishing platform hosts a vast collection of publications from around the world. Users can search for specific titles or explore various categories and genres. Issuu offers a seamless reading experience with its user-friendly interface and allows users to download PDF files for offline reading. Apart from dedicated platforms, search engines also play a crucial role in finding free PDF files. Google, for

instance, has an advanced search feature that allows users to filter results by file type. By specifying the file type as "PDF," users can find websites that offer free PDF downloads on a specific topic. While downloading Jeep Cherokee Interior Lights Wiring Diagram free PDF files is convenient, it's important to note that copyright laws must be respected. Always ensure that the PDF files you download are legally available for free. Many authors and publishers voluntarily provide free PDF versions of their work, but it's essential to be cautious and verify the authenticity of the source before downloading Jeep Cherokee Interior Lights Wiring Diagram. In conclusion, the internet offers numerous platforms and websites that allow users to download free PDF files legally. Whether it's classic literature, research papers, or magazines, there is something for everyone. The platforms mentioned in this article, such as Project Gutenberg, Open Library, Academia.edu, and Issuu, provide access to a vast collection of PDF files. However, users should always be cautious and verify the legality of the source before downloading Jeep Cherokee Interior Lights Wiring Diagram any PDF files. With these platforms, the world of PDF downloads is just a click away.

### FAQs About Jeep Cherokee Interior Lights Wiring Diagram Books

**What is a Jeep Cherokee Interior Lights Wiring Diagram PDF?** A PDF (Portable Document Format) is a file format developed by Adobe that preserves the layout and formatting of a document, regardless of the software, hardware, or operating system used to view or print it. **How do I create a Jeep Cherokee Interior Lights Wiring Diagram PDF?** There are several ways to create a PDF: Use software like Adobe Acrobat, Microsoft Word, or Google Docs, which often have built-in PDF creation tools. Print to PDF: Many applications and operating systems have a "Print to PDF" option that allows you to save a document as a PDF file instead of printing it on paper. Online converters: There are various online tools that can convert different file types to PDF. **How do I edit a Jeep Cherokee Interior Lights Wiring Diagram PDF?** Editing a PDF can be done with software like Adobe Acrobat, which allows direct editing of text, images, and other elements within the PDF. Some free tools, like PDFescape or Smallpdf, also offer basic editing capabilities. **How do I convert a Jeep Cherokee Interior Lights Wiring Diagram PDF to another file format?** There are multiple ways to convert a PDF to another format: Use online converters like Smallpdf, Zamzar, or Adobe Acrobat's export feature to convert PDFs to formats like Word, Excel, JPEG, etc. Software like Adobe Acrobat, Microsoft Word, or other PDF editors may have options to export or save PDFs in different formats. **How do I password-protect a Jeep Cherokee Interior Lights Wiring Diagram PDF?** Most PDF editing software allows you to add password protection. In Adobe Acrobat, for instance, you can go to "File" -> "Properties" -> "Security" to set a password to restrict access or editing capabilities. Are there any free alternatives to Adobe Acrobat for working with PDFs? Yes, there are many free alternatives for working with PDFs, such as: LibreOffice: Offers PDF editing

features. PDFsam: Allows splitting, merging, and editing PDFs. Foxit Reader: Provides basic PDF viewing and editing capabilities. How do I compress a PDF file? You can use online tools like Smallpdf, ILovePDF, or desktop software like Adobe Acrobat to compress PDF files without significant quality loss. Compression reduces the file size, making it easier to share and download. Can I fill out forms in a PDF file? Yes, most PDF viewers/editors like Adobe Acrobat, Preview (on Mac), or various online tools allow you to fill out forms in PDF files by selecting text fields and entering information. Are there any restrictions when working with PDFs? Some PDFs might have restrictions set by their creator, such as password protection, editing restrictions, or print restrictions. Breaking these restrictions might require specific software or tools, which may or may not be legal depending on the circumstances and local laws.

### **Find Jeep Cherokee Interior Lights Wiring Diagram :**

**ms 7528 motherboard drivers**

*mrs jeffries plays the cook*

**mr heater f273200 heaters owners manual**

*mr2 turbo 1994 wiring*

**mounted by a monster squidman slips inside english edition**

**mr mcgee and the blackberry jam activities**

**moving straight ahead teacher guide**

mr imperfect english edition

motorola xts manual

**motorola v3t user manual**

mr armstrong maths november 2014 calculator mark scheme edexcel

mpumalanga province life science paper 1 november 2013 memo

mpumalanga 2013 november exemplar grade 11

**mr coffee bvmc ejx33 instruction manual**

*moving house sats paper mark scheme 2007*

### **Jeep Cherokee Interior Lights Wiring Diagram :**

**garfield tome 58 fa c lin pour l autre book** - Nov 06 2022

web garfield tome 58 fa c lin pour l autre petit dictionnaire de la langue francaise aug 31 2020 catalogue of the british



section containing a list of the exhibitors of the united kingdom and its colonies and the objects which they exhibit in english french german and italian feb 03 2021 paris universal exhibition of 1867

**bandes dessinées garfield tome 58 félin pour l autre** - Jul 14 2023

web dans ce tome 58 de garfield félin pour l autre jim davis s attarde sur les relations qui unissent le drôle de chat orange et la douce arlene ce cinquante huitième épisode des aventures du chat le plus célèbre de la bande dessinée nous le montre sous un jour inattendu celui d un tendre romantique

**garfield tome 58 bdfugue com** - Oct 05 2022

web jan 23 2014 série garfield tome n 58 album félin pour l autre date de parution 23 janvier 2014 référence 9782205072297 nombre de pages 48 poids 356 g dimensions 30 0 x 22 5 cm langue français editeur dargaud auteurs jim davis scénario dessin couleurs genres thèmes et selections bd jeunesse

**garfield tome 58 fa c lin pour l autre pdf wrbb neu** - Jun 01 2022

web garfield tome 58 fa c lin pour l autre 2021 10 13 mcconnel l corinne the commercial and financial chronicle saunders the great war of 1914 1918 2 2 garfield tome 58 fa c lin pour l autre 2021 10 13 confronted the united states with one of the most wrenching crises in the nation s history it also left a residue

garfield tome 58 félin pour l autre format kindle amazon fr - Aug 15 2023

web achetez et téléchargez ebook garfield tome 58 félin pour l autre boutique kindle comics amazon fr

garfield tome 58 félin pour l autre de jim davis pdf decitre - Feb 09 2023

web feb 27 2017 retrouvez l ebook garfield tome 58 félin pour l autre de jim davis Éditeur dargaud format pdf librairie decitre votre prochain livre est là

**garfield tome 58 fa c lin pour l autre full pdf wrbb neu** - Jul 02 2022

web right here we have countless ebook garfield tome 58 fa c lin pour l autre and collections to check out we additionally have the funds for variant types and next type of the books to browse the suitable book fiction history novel scientific research as well as various other sorts of books are readily friendly here as this garfield

**garfield tome 58 félin pour l autre Édition de 2014** - Dec 07 2022

web détail de l album garfield tome 58 félin pour l autre une bande dessinée de jim davis paru en 2014 chez dargaud isbn 978 2 205 07229 7

garfield tome 58 fa c lin pour l autre pdf free forever hutman - Apr 30 2022

web garfield tome 58 fa c lin pour l autre pdf pages 2 3 garfield tome 58 fa c lin pour l autre pdf upload mita b ferguson 2 3 downloaded from forever hutman net on august 31 2023 by mita b ferguson 2004 vols for 1963 include as pt 2 of the jan issue medical subject headings

**garfield tome 58 félin pour l autre jim davis furet du nord** - Feb 26 2022

web feb 27 2017 télécharger le livre garfield tome 58 félin pour l autre de jim davis Éditeur dargaud en version numérique lisez votre ebook garfield tome 58 félin pour l autre sur votre liseuse où que vous soyez furet du nord

garfield tome 58 félin pour l autre format kindle amazon fr - May 12 2023

web achetez et téléchargez ebook garfield tome 58 félin pour l autre boutique kindle comic strips amazon fr

**garfield tome 58 f lin pour l autre by jim davis 2014 01 24** - Sep 04 2022

web jan 24 2014 garfield tome 58 f lin pour l autre by jim davis 2014 01 24 on amazon com free shipping on qualifying offers garfield tome 58 f lin pour

garfield tome 58 félin pour l autre bubble bd comics et mangas - Jan 08 2023

web dans ce tome 58 de garfield félin pour l autre jim davis s attarde sur les relations qui unissent le drôle de chat orange et la douce arlene ce cinquante huitième épisode des aventures du chat le plus célèbre de la bande dessinée nous le montre sous un jour inattendu celui d un tendre romantique

garfield tome 58 fa c lin pour l autre japanalert bananacoding - Jan 28 2022

web garfield tome 58 fa c lin pour l autre downloaded from japanalert bananacoding com by guest warren angie over here wiley ieee press print coursesmart the official abms directory of board certified medical specialists oxford university press continues to be the standard reference tool in its field

**garfield tome 58 félin pour l autre jim davis babelio** - Mar 10 2023

web oct 14 2017 dans ce tome 58 de garfield félin pour l autre jim davis s attarde sur les relations qui unissent le drôle de chat orange et la douce arlene ce cinquante huitième épisode des aventures du chat le plus célèbre de la bande dessinée nous le montre sous un jour inattendu celui d un tendre romantique

**amazon fr garfield tome 58 f lin pour l autre by jim davis** - Apr 11 2023

web noté 5 retrouvez garfield tome 58 f lin pour l autre by jim davis 2014 01 24 et des millions de livres en stock sur amazon fr achetez neuf ou d occasion

garfield tome 58 fa c lin pour l autre samuel chapman - Dec 27 2021

web garfield tome 58 fa c lin pour l autre getting the books garfield tome 58 fa c lin pour l autre now is not type of challenging means you could not forlorn going once ebook store or library or borrowing from your associates to entrance them this is an utterly simple means to specifically acquire lead by on line

garfield tome 58 félin pour l autre bd fan comics votre - Aug 03 2022

web accueil bd comics mangas bd garfield garfield tome 58 félin pour l autre garfield tome 58 félin pour l autre 17 50 chf public tous publics enfants genre humour collection dargaud date de sortie 24 janvier 2014 dans ce tome 58 de garfield félin

pour l autre jim davis s attarde sur les relations qui

**garfield tome 58 fa c lin pour l autre 2022 wrbb neu** - Mar 30 2022

web garfield tome 58 fa c lin pour l autre 3 3 wrenching crises in the nation s history it also left a residue of disruption and disillusion that spawned an even more ruinous conflict scarcely a generation later over here is the single most comprehensive discussion of the impact of world war i on american society this 25th anniversary edition

*garfield tome 58 garfield félin pour l autre fnac* - Jun 13 2023

web jan 23 2014 dans ce tome 58 de garfield félin pour l autre jim davis s attarde sur les relations qui unissent le drôle de chat orange et la douce arlene ce cinquante huitième épisode des aventures du chat le plus célèbre de la bande dessinée nous le montre sous un jour inattendu celui d un tendre romantique

**the role of identity in chronic pain cognitions and pain related** - Mar 02 2023

web jan 24 2021 the present research is designed to determine whether identity related issues are associated with common chronic pain cognitions and pain related disability which may help inform understanding of clinical chronic pain populations

living at the margins women and national identity in pains - May 24 2022

web living at the margins women and national identity in pains of autumn emine yeşim bedlek abstract one of the most catastrophic events in modern turkish history occurred on september 6 7 1955 fuelled by turkish nationalism riots targeting non muslim minorities aimed to homogenize the demographics and economy of the

*identities in pain worldcat org* - Jun 05 2023

web summary pain while a private experience is culturally permeated by patterns rules conventions and meanings this volume discusses this coding from a range of anthropological ethnological and sociological perspectives readers are invited to follow the life histories of people suffering pain

**ethnic differences in pain and pain management pmc** - Jul 06 2023

web a growing body of experimental pain studies has demonstrated ethnic differences in such systematic laboratory conditions indeed ethnic identity part of a person s self concept derived from one s social group membership has recently been shown to partially account for ethnic differences observed in experimental pain responses

**the role of identity in chronic pain cognitions and pain related** - Aug 07 2023

web jan 24 2021 however as a new identity emerges that does not include pain they may experience higher self concept clarity decreases in death anxiety pain severity pain catastrophizing and pain disability and an increase in pain acceptance

*identities in pain by nadia seremitaki jonas frykman susanne* - Mar 22 2022

web find many great new used options and get the best deals for identities in pain by nadia seremitaki jonas frykman susanne ewert paperback 1998 at the best online prices at ebay free shipping for many products

[identities in pain susanne ewert 9789189116016 abebooks](#) - Dec 31 2022

web identities in pain discusses both physical and mental pain from a range of anthropological ethnological and sociological perspectives

**individual differences in pain understanding the mosaic that** - Feb 01 2023

web the biopsychosocial model provides an ideal framework for conceptualizing individual differences in pain this model posits that the experience of pain is influenced by complex and dynamic interactions among multiple biological psychological and social factors importantly the ensemble of biopsychosocial factors contributing to the experience of

**identities in pain by susanne ewert goodreads** - Apr 03 2023

web may 1 1998 identities in pain discusses both physical and mental pain from a range of anthropological ethnological and sociological perspectives this book examines case histories of people suffering unendurable pain of those trying to come to grips with psychosomatic disorders mental illnesses physical handicaps of children exposed to

*sex and gender differences in pain sciencedirect* - Feb 18 2022

web jan 1 2022 about half of chronic pain conditions are more common in women with only 20 having a higher prevalence in men there are also sex and gender differences in acute pain sensitivity pain is a subjective experience made up of sensory cognitive and emotional components

*identities in pain by frykman jonas seremetakis c nadia* - Aug 27 2022

web abebooks com identities in pain nordic academic press lund 1998 223 pp paperback fine condition

**ewert s identities in pain kağıt kapak 1 ocak 1998** - Sep 08 2023

web arama yapmak istediğiniz kategoriye seçin

[the role of identity in chronic pain cognitions and pain related](#) - May 04 2023

web the role of identity in chronic pain cognitions and pain related disability within a clinical chronic pain population int j psychiatry med2022 jan 57 1 35 52 doi 10 1177 0091217421989141 epub 2021 jan 24 david e reed 2nd 1 briana cobos 1 2 ameer s nagpal 3 max eckmann 3 donald d mcgeary 1 4 pmid 33487093

**identities in pain request pdf researchgate** - Apr 22 2022

web request pdf on may 1 2000 maren klawiter and others published identities in pain find read and cite all the research you need on researchgate article identities in pain

[individual differences in pain the roles of gender ethnicity and](#) - Jul 26 2022

web sep 21 2020 the experience of pain is characterized by tremendous interindividual variability 1 indeed similar injuries disease states or noxious stimuli are often accompanied by pain responses that differ dramatically across people although it is inarguable that such individual differences in pain responses exist their contributing

[identities in pain paperback may 19 1998 amazon com](#) - Jun 24 2022

web may 19 1998 this book examines case histories of people suffering unendurable pain of those trying to come to grips with psychosomatic disorders mental illnesses physical handicaps of children exposed to traumatic experiences and patients living with leprosy

**identities in pain by jonas frykman open library** - Oct 29 2022

web identities in pain by jonas frykman c nadia seremetakis 1998 nordic academic press edition in english

**action identification and meaning in life in chronic pain** - Sep 27 2022

web oct 1 2015 low level act identities are more concrete they concern the details and specifics of a behaviour indicating how it is done e g the cyclist who is pushing peddles 6 high level act identities are more abstract and reflect a general understanding of the effects and implications of behaviour

**identities in pain constantina nadia seremetakis google books** - Oct 09 2023

web the essays take up life histories of people suffering pain of those trying to come to grips with psychosomatic disorders of children exposed to traumatic experiences and of patients living

[identities in pain semantic scholar](#) - Nov 29 2022

web identities in pain article klawiter2000identitiesip title identities in pain author maren klawiter and jonas frykman and nadia seremetakis and susanne ewert journal contemporary sociology year 2000 volume 29 pages 554

[election law in a nutshell nutshells english edit pdf uniport edu](#) - Jun 01 2022

web mar 22 2023 you could purchase lead election law in a nutshell nutshells english edit or get it as soon as feasible you could quickly download this election law in a nutshell nutshells english edit after getting deal

[election law in a nutshell nutshells english edit uniport edu](#) - Mar 30 2022

web plan to download and install the election law in a nutshell nutshells english edit it is extremely easy then past currently we extend the partner to purchase and create bargains to download and install election law in a nutshell nutshells english edit as a result simple lord of the flies william golding 2012 09 20 a plane crashes on a desert

*election law in a nutshell nutshells english edit robert dallek* - Jan 08 2023

web feb 24 2023 election law in a nutshell daniel p tokaji 2013 election law is a dynamic and quickly growing field that has garnered enormous public interest it is a subject of great practical importance to lawyers and law students with increasing litigation and several important decisions from the supreme court in recent years this nutshell

*election law in a nutshell nutshells english edit uniport edu* - Dec 27 2021

web mar 29 2023 we pay for election law in a nutshell nutshells english edit and numerous book collections from fictions to scientific research in any way in the midst of them is this election law in a nutshell nutshells english edit that can be your

partner legislation and regulation in a nutshell steven f huefner 2017 softbound new softbound print book

**election noun definition pictures pronunciation and usage** - Feb 26 2022

web culture elections elections in britain a general election takes place at least every five years when the electorate all the people in the country who can vote vote for the members of parliament or mps in the house of commons each mp represents a constituency which is an area of the country with an approximately equal number of

**electionlawinanutshellnutshellsenglishedit 2022** - Jan 28 2022

web the nutshell studies of unexplained death election law in a nutshell picturing reform in victorian britain they would never hurt a fly modern american remedies cases and materials british books international legal books in print 1990 1991 author the new machiavelli handbook on european data protection law election law fifth edition the

election law in a nutshell nutshells english edit james hearst - Nov 06 2022

web publication election law in a nutshell nutshells english edit that you are looking for it will no question squander the time however below similar to you visit this web page it will be for that reason totally easy to acquire as without difficulty as download lead election law in a nutshell nutshells english edit

**election law in a nutshell nutshells english edit** - Apr 30 2022

web election law in a nutshell nutshells english edit 3 3 books excerpt from a practical abridgment of election law from the issuing of the writ to the return the words of his author even though they may at first seem unconnected with the prior sentence than risk a misconception of his own in some instances however he has been obliged to

**nutshells english legal system paperback sweet maxwell** - Jul 02 2022

web the longest running law revision series trusted by students for over 30 years nutshells present the essentials of law clearly and concisely in a memorable and user friendly way the ideal companion both for getting up to speed with a *election law in a nutshell nutshells english edition by daniel* - Aug 15 2023

web 2016 election in a nutshell duration 3 25 english location united download the book election law in a nutshell nutshells in pdf and epub format here you can download all books for free in pdf or epub format use the button available on this page to download or read a book online free reading election law in a nutshell nutshells english pdf

**epub election law in a nutshell nutshells k i n d l e** - Apr 11 2023

web apr 27 2020 this nutshell provides a succinct and thorough description of the law governing elections the right to vote and the political process in the united states the topics addressed include one person one vote gerrymandering minority voting rights ballot access voter

**election law in a nutshell nutshells english edit pdf** - Sep 04 2022

web election law in a nutshell nutshells english edit the democracy index a guide to election law and the law and practice of

election petitions election law in a nutshell election law cases and materials supplement the parliamentary elections corrupt and illegal practices prevention acts 1854 to 1883 a treatise on the new york laws

**pdf download election law in a nutshell nutshells yumpu** - May 12 2023

web ebooks election law in a nutshell nutshells are composed for various causes the most obvious cause is to market it and earn a living and while this is an excellent approach to make money creating ebooks election law in a nutshell nutshells you will find other strategies far too election law in a nutshell nutshells the first thing you need to do

*amazon com election law in a nutshell nutshells ebook* - Jun 13 2023

web nov 7 2016 election law in a nutshell nutshells 2nd edition kindle edition by daniel p tokaji author format kindle edition 4 1 out of 5 stars 11 ratings

*electionlawinanutshellnutshellsenglishedit download only* - Oct 05 2022

web a subject of great practical importance to lawyers and law students with increasing litigation and several important decisions from the supreme court in recent years tokaji s election law in a nutshell provides a succinct and thorough description of the law governing voting rights elections and the political process in the united states

**download ebook election law in a nutshell nutshells free** - Feb 09 2023

web self publishing login to yumpu news login to yumpu publishing

**election law in a nutshell nutshells english edit pdf uniport edu** - Aug 03 2022

web jun 4 2023 understanding election law and voting rights knowing not only the holdings of cases and the meanings of important statutes such as the voting rights act but they will also understand the contending views of free speech equality judicial authority and political

**election law in a nutshell nutshells english edit jared** - Dec 07 2022

web election law fifth edition daniel hays lowenstein 2015 07 the 2015 supplement to the fifth edition of election law cases and materials is up to date through the end of the supreme court s october 2014 term it includes an edited version of the supreme court s new campaign finance case mccutcheon v fec an edited version of shelby county v

*epub election law in a nutshell nutshells k i n d l e* - Mar 10 2023

web self publishing login to yumpu news login to yumpu publishing

[election law in a nutshell nutshells amazon com](#) - Jul 14 2023

web aug 26 2013 tokaji s election law in a nutshell provides a succinct and thorough description of the law governing voting rights elections and the political process in the united states the topics addressed include the fundamental right to vote gerrymandering minority voting rights ballot access voter identification recounts direct democracy and