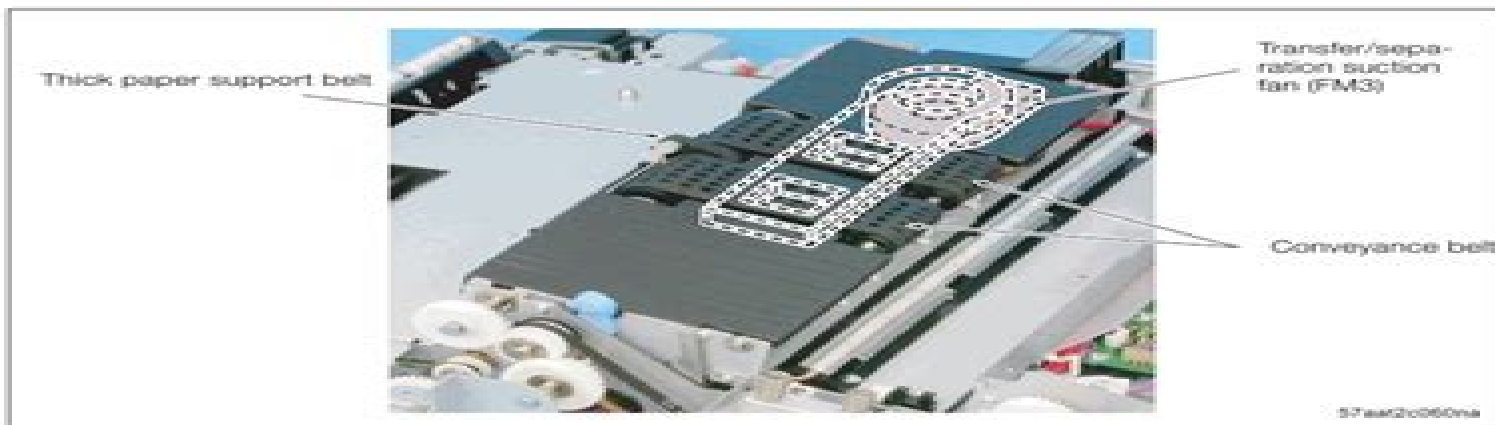
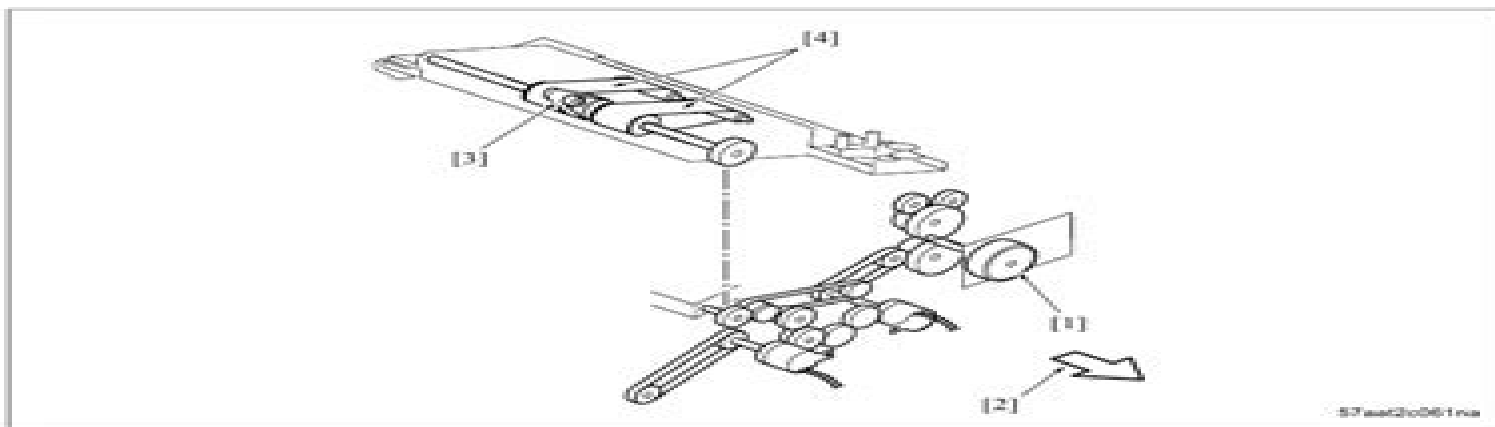


19. HORIZONTAL CONVEYANCE SECTION

19.1 Composition



19.2 Drive



- [1] Registration motor (MS)
- [2] Front

- [3] Thick paper support belt
- [4] Conveyance belt

bichub 751601

COMPOSITION/OPERATION

Konica Minolta 8050 Cf5001 C500 8150 Theory Of Operation Service Manual

Hussin A.Rothana



Konica Minolta 8050 Cf5001 C500 8150 Theory Of Operation Service Manual:

Unveiling the Power of Verbal Art: An Psychological Sojourn through **Konica Minolta 8050 Cf5001 C500 8150 Theory Of Operation Service Manual**

In a global inundated with monitors and the cacophony of instantaneous transmission, the profound energy and emotional resonance of verbal beauty usually fade into obscurity, eclipsed by the continuous onslaught of noise and distractions. Yet, located within the lyrical pages of **Konica Minolta 8050 Cf5001 C500 8150 Theory Of Operation Service Manual**, a captivating function of literary splendor that impulses with organic thoughts, lies an memorable trip waiting to be embarked upon. Published with a virtuoso wordsmith, this enchanting opus courses viewers on a mental odyssey, lightly revealing the latent possible and profound influence embedded within the complicated internet of language. Within the heart-wrenching expanse of this evocative examination, we will embark upon an introspective exploration of the book is central styles, dissect its fascinating publishing style, and immerse ourselves in the indelible effect it leaves upon the depths of readers souls.

<https://splashdogs.com/book/detail/Documents/foundations%20in%20personal%20finance%20chapter%205%20money%20in%20review%20answers.pdf>

Table of Contents Konica Minolta 8050 Cf5001 C500 8150 Theory Of Operation Service Manual

1. Understanding the eBook Konica Minolta 8050 Cf5001 C500 8150 Theory Of Operation Service Manual
 - The Rise of Digital Reading Konica Minolta 8050 Cf5001 C500 8150 Theory Of Operation Service Manual
 - Advantages of eBooks Over Traditional Books
2. Identifying Konica Minolta 8050 Cf5001 C500 8150 Theory Of Operation Service Manual
 - Exploring Different Genres
 - Considering Fiction vs. Non-Fiction
 - Determining Your Reading Goals
3. Choosing the Right eBook Platform
 - Popular eBook Platforms
 - Features to Look for in an Konica Minolta 8050 Cf5001 C500 8150 Theory Of Operation Service Manual
 - User-Friendly Interface

4. Exploring eBook Recommendations from Konica Minolta 8050 Cf5001 C500 8150 Theory Of Operation Service Manual
 - Personalized Recommendations
 - Konica Minolta 8050 Cf5001 C500 8150 Theory Of Operation Service Manual User Reviews and Ratings
 - Konica Minolta 8050 Cf5001 C500 8150 Theory Of Operation Service Manual and Bestseller Lists
5. Accessing Konica Minolta 8050 Cf5001 C500 8150 Theory Of Operation Service Manual Free and Paid eBooks
 - Konica Minolta 8050 Cf5001 C500 8150 Theory Of Operation Service Manual Public Domain eBooks
 - Konica Minolta 8050 Cf5001 C500 8150 Theory Of Operation Service Manual eBook Subscription Services
 - Konica Minolta 8050 Cf5001 C500 8150 Theory Of Operation Service Manual Budget-Friendly Options
6. Navigating Konica Minolta 8050 Cf5001 C500 8150 Theory Of Operation Service Manual eBook Formats
 - ePub, PDF, MOBI, and More
 - Konica Minolta 8050 Cf5001 C500 8150 Theory Of Operation Service Manual Compatibility with Devices
 - Konica Minolta 8050 Cf5001 C500 8150 Theory Of Operation Service Manual Enhanced eBook Features
7. Enhancing Your Reading Experience
 - Adjustable Fonts and Text Sizes of Konica Minolta 8050 Cf5001 C500 8150 Theory Of Operation Service Manual
 - Highlighting and Note-Taking Konica Minolta 8050 Cf5001 C500 8150 Theory Of Operation Service Manual
 - Interactive Elements Konica Minolta 8050 Cf5001 C500 8150 Theory Of Operation Service Manual
8. Staying Engaged with Konica Minolta 8050 Cf5001 C500 8150 Theory Of Operation Service Manual
 - Joining Online Reading Communities
 - Participating in Virtual Book Clubs
 - Following Authors and Publishers Konica Minolta 8050 Cf5001 C500 8150 Theory Of Operation Service Manual
9. Balancing eBooks and Physical Books Konica Minolta 8050 Cf5001 C500 8150 Theory Of Operation Service Manual
 - Benefits of a Digital Library
 - Creating a Diverse Reading Collection Konica Minolta 8050 Cf5001 C500 8150 Theory Of Operation Service Manual
10. Overcoming Reading Challenges
 - Dealing with Digital Eye Strain
 - Minimizing Distractions
 - Managing Screen Time
11. Cultivating a Reading Routine Konica Minolta 8050 Cf5001 C500 8150 Theory Of Operation Service Manual
 - Setting Reading Goals Konica Minolta 8050 Cf5001 C500 8150 Theory Of Operation Service Manual

- Carving Out Dedicated Reading Time
- 12. Sourcing Reliable Information of Konica Minolta 8050 Cf5001 C500 8150 Theory Of Operation Service Manual
 - Fact-Checking eBook Content of Konica Minolta 8050 Cf5001 C500 8150 Theory Of Operation Service Manual
 - Distinguishing Credible Sources
- 13. Promoting Lifelong Learning
 - Utilizing eBooks for Skill Development
 - Exploring Educational eBooks
- 14. Embracing eBook Trends
 - Integration of Multimedia Elements
 - Interactive and Gamified eBooks

Konica Minolta 8050 Cf5001 C500 8150 Theory Of Operation Service Manual Introduction

In today's digital age, the availability of Konica Minolta 8050 Cf5001 C500 8150 Theory Of Operation Service Manual books and manuals for download has revolutionized the way we access information. Gone are the days of physically flipping through pages and carrying heavy textbooks or manuals. With just a few clicks, we can now access a wealth of knowledge from the comfort of our own homes or on the go. This article will explore the advantages of Konica Minolta 8050 Cf5001 C500 8150 Theory Of Operation Service Manual books and manuals for download, along with some popular platforms that offer these resources. One of the significant advantages of Konica Minolta 8050 Cf5001 C500 8150 Theory Of Operation Service Manual books and manuals for download is the cost-saving aspect. Traditional books and manuals can be costly, especially if you need to purchase several of them for educational or professional purposes. By accessing Konica Minolta 8050 Cf5001 C500 8150 Theory Of Operation Service Manual versions, you eliminate the need to spend money on physical copies. This not only saves you money but also reduces the environmental impact associated with book production and transportation.

Furthermore, Konica Minolta 8050 Cf5001 C500 8150 Theory Of Operation Service Manual books and manuals for download are incredibly convenient. With just a computer or smartphone and an internet connection, you can access a vast library of resources on any subject imaginable. Whether you're a student looking for textbooks, a professional seeking industry-specific manuals, or someone interested in self-improvement, these digital resources provide an efficient and accessible means of acquiring knowledge. Moreover, PDF books and manuals offer a range of benefits compared to other digital formats. PDF files are designed to retain their formatting regardless of the device used to open them. This ensures that the content appears exactly as intended by the author, with no loss of formatting or missing graphics. Additionally, PDF files can be easily annotated, bookmarked, and searched for specific terms, making them highly practical for studying or referencing.

When it comes to accessing Konica Minolta 8050 Cf5001 C500 8150 Theory Of Operation Service Manual books and manuals, several platforms offer an extensive collection of resources. One such platform is Project Gutenberg, a nonprofit organization that provides over 60,000 free eBooks. These books are primarily in the public domain, meaning they can be freely distributed and downloaded. Project Gutenberg offers a wide range of classic literature, making it an excellent resource for literature enthusiasts. Another popular platform for Konica Minolta 8050 Cf5001 C500 8150 Theory Of Operation Service Manual books and manuals is Open Library. Open Library is an initiative of the Internet Archive, a nonprofit organization dedicated to digitizing cultural artifacts and making them accessible to the public. Open Library hosts millions of books, including both public domain works and contemporary titles. It also allows users to borrow digital copies of certain books for a limited period, similar to a library lending system. Additionally, many universities and educational institutions have their own digital libraries that provide free access to PDF books and manuals. These libraries often offer academic texts, research papers, and technical manuals, making them invaluable resources for students and researchers. Some notable examples include MIT OpenCourseWare, which offers free access to course materials from the Massachusetts Institute of Technology, and the Digital Public Library of America, which provides a vast collection of digitized books and historical documents. In conclusion, Konica Minolta 8050 Cf5001 C500 8150 Theory Of Operation Service Manual books and manuals for download have transformed the way we access information. They provide a cost-effective and convenient means of acquiring knowledge, offering the ability to access a vast library of resources at our fingertips. With platforms like Project Gutenberg, Open Library, and various digital libraries offered by educational institutions, we have access to an ever-expanding collection of books and manuals. Whether for educational, professional, or personal purposes, these digital resources serve as valuable tools for continuous learning and self-improvement. So why not take advantage of the vast world of Konica Minolta 8050 Cf5001 C500 8150 Theory Of Operation Service Manual books and manuals for download and embark on your journey of knowledge?

FAQs About Konica Minolta 8050 Cf5001 C500 8150 Theory Of Operation Service Manual Books

What is a Konica Minolta 8050 Cf5001 C500 8150 Theory Of Operation Service Manual PDF? A PDF (Portable Document Format) is a file format developed by Adobe that preserves the layout and formatting of a document, regardless of the software, hardware, or operating system used to view or print it. **How do I create a Konica Minolta 8050 Cf5001 C500 8150 Theory Of Operation Service Manual PDF?** There are several ways to create a PDF: Use software like Adobe Acrobat, Microsoft Word, or Google Docs, which often have built-in PDF creation tools. Print to PDF: Many applications and operating systems have a "Print to PDF" option that allows you to save a document as a PDF file instead of printing it on

paper. Online converters: There are various online tools that can convert different file types to PDF. **How do I edit a Konica Minolta 8050 Cf5001 C500 8150 Theory Of Operation Service Manual PDF?** Editing a PDF can be done with software like Adobe Acrobat, which allows direct editing of text, images, and other elements within the PDF. Some free tools, like PDFescape or Smallpdf, also offer basic editing capabilities. **How do I convert a Konica Minolta 8050 Cf5001 C500 8150 Theory Of Operation Service Manual PDF to another file format?** There are multiple ways to convert a PDF to another format: Use online converters like Smallpdf, Zamzar, or Adobe Acrobats export feature to convert PDFs to formats like Word, Excel, JPEG, etc. Software like Adobe Acrobat, Microsoft Word, or other PDF editors may have options to export or save PDFs in different formats. **How do I password-protect a Konica Minolta 8050 Cf5001 C500 8150 Theory Of Operation Service Manual PDF?** Most PDF editing software allows you to add password protection. In Adobe Acrobat, for instance, you can go to "File" -> "Properties" -> "Security" to set a password to restrict access or editing capabilities. Are there any free alternatives to Adobe Acrobat for working with PDFs? Yes, there are many free alternatives for working with PDFs, such as: LibreOffice: Offers PDF editing features. PDFsam: Allows splitting, merging, and editing PDFs. Foxit Reader: Provides basic PDF viewing and editing capabilities. How do I compress a PDF file? You can use online tools like Smallpdf, ILovePDF, or desktop software like Adobe Acrobat to compress PDF files without significant quality loss. Compression reduces the file size, making it easier to share and download. Can I fill out forms in a PDF file? Yes, most PDF viewers/editors like Adobe Acrobat, Preview (on Mac), or various online tools allow you to fill out forms in PDF files by selecting text fields and entering information. Are there any restrictions when working with PDFs? Some PDFs might have restrictions set by their creator, such as password protection, editing restrictions, or print restrictions. Breaking these restrictions might require specific software or tools, which may or may not be legal depending on the circumstances and local laws.

Find Konica Minolta 8050 Cf5001 C500 8150 Theory Of Operation Service Manual :

foundations in personal finance chapter 5 money in review answers

frankenstein chapter 10 summary

frankenstein study guide ansers

~~foundations in personal finance chapter 4 test answer key~~

foundations of finance 8th keown martin petty

~~foundations of college chemistry 14th edition solutions~~

foss teacher guide water planet

fram filter application guide

fox 32 float rl 120 manual

**francedilois mitterrand fragments de vie partageacutee
foundation and chaos second foundation trilogy 2 greg bear
four quartets faber poetry english edition**

franklin and lucy joseph e persico

fox shock manual 2013

fountas and pinnell first 20 days of guided reading

Konica Minolta 8050 Cf5001 C500 8150 Theory Of Operation Service Manual :

ol man river nps wiki help discoveram - Dec 07 2022

web may 23 2023 ol man river nps wiki the mississippi river is the chief river of the second largest drainage system on the north american continent second only to the hudson bay drainage system the stream is entirely within the united states although its drainage basin reaches into canada its source is in northern minnesota and it flows

ol man river nps wiki old vulkk com - Aug 03 2022

web 2 ol man river nps wiki 2022 02 03 evelin emmalee camp nelson kentucky ballantine books before 1947 when marjory stoneman douglas named the everglades a river of grass most people considered the area a vast and worthless swamp her book brought the world s attention to the need to preserve the everglades a unique

ol man river nps wiki help discoveram - Dec 27 2021

web the mississippi river is the chief river of the second largest drainage system on the north american continent second only to the hudson bay drainage system the stream is entirely within the united states although its drainage basin reaches into canada its source is in northern minnesota and it

ol man river nps wiki help discoveram - Mar 10 2023

web in this host ol man river nps wiki is accessible in our novel gathering an online access to it is set as public so you can get it immediately solely expressed the ol man river nps wiki is globally congruent with any devices to download

ol man river meaning shmoop - Jan 08 2023

web despite its popularity ol man river was initially written as an aside not a centerpiece oscar hammerstein ii and jerome kern needed a way to conclude the first scene of show boat and ol man river was structured as a mournful echo of the opening number cotton blossom joe became an important framing character in the show and the

ol man river nps wiki pdf klantenhandboek dutchgiraffe - Jun 01 2022

web the continuous assault of noise and distractions yet set within the lyrical pages of ol man river nps wiki a charming function of fictional brilliance that impulses with raw thoughts lies an unique journey waiting to be embarked upon published

with a virtuoso wordsmith this enchanting opus courses

ol man river nps wiki 2022 yvc moeys gov - Oct 05 2022

web you could purchase guide ol man river nps wiki or get it as soon as feasible you could speedily download this ol man river nps wiki after getting deal so with you require the books swiftly you can straight get it

ol man river an american masterpiece npr - May 12 2023

web may 31 2003 frank sinatra recorded his version of ol man river in the 1940s when composer jerome kern and lyricist oscar hammerstein ii teamed up in the mid 1920s to write show boat a groundbreaking

ol man river nps wiki banpaen - Apr 30 2022

web jun 7 2023 you may not be confused to enjoy every book selections ol man river nps wiki that we will certainly offer thats something that will lead you to comprehend even more in the zone of the earth experience specific areas past era pleasure and a

ol man river nps wiki pdf bexpert udh - Feb 26 2022

web ol man river nps wiki is available in our book collection an online access to it is set as public so you can get it instantly our digital library saves in multiple countries allowing you to get the most less latency time to download any of our books like this one

ol man river nps wiki help discoveram - Jul 02 2022

web may 28 2023 this ol man river nps wiki as one of the majority functioning sellers here will wholly be associated with by the best possibilities to review we pay for ol man river nps wiki and plentiful books selections from fictions to scientific explorationh in any way

ol man river wikipedia - Jul 14 2023

web ol man river is a show tune from the 1927 5 musical show boat with music by jerome kern and lyrics by oscar hammerstein ii the song contrasts the struggles and hardships of african americans with the endless uncaring flow of the mississippi river

ol man river nps wiki lia erc gov ph - Nov 06 2022

web ol man river nps wiki the key word thrill of the chasethrill of the chase may 11th 2018 the key word is the starting point location if you read the book again and again take notes think outside the norm and have a little imagination of what you not just see but hear abandoned plane wrecks of the north aviation history and

ol man river nps wiki pdf blueskywildlife - Mar 30 2022

web aug 29 2023 ol man river nps wiki pdf below history of fluvial hydraulics r j garde 1995 fluvial hydraulics deals with the hydraulics of rivers flowing through credible material and transporting some of the material with them it encompasses

mechanics of sediment transportation

[talk ol man river wikipedia](#) - Feb 09 2023

web this article is within the scope of wikiproject songs a collaborative effort to improve the coverage of songs on wikipedia if you would like to participate please visit the project page where you can join the discussion and see a list of open tasks songs wikipedia wikiproject songs template wikiproject songs song articles c this article

ol man river nps wiki pdf 2023 tax clone ortax - Apr 11 2023

web ol man river nps wiki pdf introduction ol man river nps wiki pdf 2023 title ol man river nps wiki pdf 2023 tax clone ortax org created date 9 2 2023 3 34 21 pm

ol man river nps wiki darelova - Jun 13 2023

web ol man river nps wiki ol man river nps wiki where warm waters halt part one thrill of the the lost city of aztlan legendary homeland of the aztecs abandoned plane wrecks of the north aviation history and 25 things i wish i knew before moving to san francisco abkürzungen luftfahrt l r wikipedia mississippi river

ol man river nps wiki help environment harvard edu - Sep 04 2022

web ol man river nps wiki thank you for downloading ol man river nps wiki as you may know people have look numerous times for their chosen novels like this ol man river nps wiki but end up in harmful downloads rather than enjoying a good book with a cup of tea in the afternoon instead they juggled with some infectious

ol man river nps wiki help discoveram - Jan 28 2022

web may 18 2023 ol man river nps wiki any day riding in the depths of winter in new england is a gift spanked out 13 5 miles with 913 feet of climbing a lot of ice on the trails but still a great day

ol man river del monte brass nps wiki - Aug 15 2023

web apr 17 2014 hit enter to search help online help keyboard shortcuts feed builder what s new

milady chapter 5 infection control principles practices quizlet - May 02 2023

web safety data sheet which term refers to an abnormal condition of all or part of the body that makes it incapable of carrying on normal function disease which term refers to the

chapter 5 infection control principles and practices chegg - Jan 18 2022

chapter 5 infection control principles and practices - Aug 05 2023

web study with quizlet and memorize flashcards containing terms like the product manufacturer follow prescribed sanitary precautions a microscope and more

[chapter 5 infection control principles and practices quizlet](#) - Sep 25 2022

web sep 1 2023 chapter 5 infection control principles and practices chapter 5 infection control principles and practices
what progress you ask have i made i have

1 2 infection prevention and control practices clinical - Jun 22 2022

web 1 79 created by kathy3978 key concepts direct transmission disease non intact skin food and drug administration terms
in this set 79 acquired immunodeficiency

chapter 5 infection control principles and practices butler - Sep 06 2023

web chapter 5 infection control principles and practices cosmetologists should study and have a thorough understanding of
infection control principles and practices because

chapter 5 infection control principles and practice cram com - Dec 29 2022

web hapter one 1 0 introduction 1 1background information disinfection describes a process that eliminates many or all
pathogenic microorganisms except bacteria the

chapter 5 infection control principles and practices chegg - Jul 04 2023

web study chapter 5 infection control principles and practices flashcards create flashcards for free and quiz yourself with an
interactive flipper

milady chapter 5 infection control principles and practices test - Mar 20 2022

web asymptomatic a client that is infected with hepatitis b or other bloodborne pathogens and shows no symptoms or signs of
infection is study with quizlet and memorize flashcards

edition chapter 5 infection control principles and practices - Apr 01 2023

web infection control principles and practices cosmetologists should study and have a thorough understanding of infection
control principles and practices

milady chapter 5 infection control principles and practices - Feb 28 2023

web study milady chapter 5 infection control principles and practices flashcards from celeste miller s class online or in
brainscape s iphone or android app learn faster with

chapter 5 infection control principles and practices - Oct 07 2023

web aids is caused by the human immunodeficiency virus hiv acquired immunity immunity that the body develops after
overcoming a disease through inoculation such as flu vaccinations or through exposure to natural allergens such as pollen cat
dander and

chapter 5 infection control principles and practices - Jan 30 2023

web chapter 5 infection control principles and practices flashcards quizlet chapter 5 infection control principles and
practices the environmental protection agency

[chapter 5 infection control principles and practices slideserve](#) - Aug 25 2022

web mar 19 2023 living a healthy life does not only mean how to treat conditions but also to prevent getting into the unhealthy state infection control is the first step of healthy

ch 5 infection control principles and practices proprofs - Jul 24 2022

web infection prevention and control ipac practices are evidence based procedures and practices that can prevent and reduce disease transmission and eliminate sources of

[cosmetology chapter 5 infection control principles and](#) - Feb 16 2022

web study chapter 5 infection control principles and practices flashcards create flashcards for free and quiz yourself with an interactive flipper

test chapter 5 infection control principles - Apr 20 2022

web chapter 5 infection control principles and practices milady chapter 5 infection control principles and practices answers yahoo com list the types and classifications

[chapter 5 infection control principles practices quizlet](#) - May 22 2022

web single celled organisms that have characteristics of both plants and animals are called bacteria there are thousands of different kinds of bacteria but they are classified into

[ch 5 infection control principles practices proprofs quiz](#) - Oct 27 2022

web chapter 5 infection control principles and practices what does msds stand for click the card to flip material safety data sheet click the card to flip 1 37 flashcards learn

[chapter 5 infection control principles and practices administration](#) - Jun 03 2023

web understand state laws and rules and the differences between them list the types and classifications of bacteria define hepatitis and hiv and explain how they are transmitted

[milady standard cosmetology book chapter 5](#) - Nov 27 2022

web mar 21 2023 try this amazing ch 5 infection control principles practices quiz which has been attempted 3359 times by avid quiz takers also explore over 43 similar

[legg til rette for fellesskap og samfunnsdeltakelse napha](#) - Feb 15 2023

web sep 2 2021 utenforskap forsterker gjerne opplevelsen av å være isolert og ensom se etter aktiviteter dine brukere kan delta p legg til rette for fellesskap og

[free fellesskap av mennesker norwegian edition](#) - Jun 19 2023

web fellesskap av mennesker norwegian edition rethinking disability and human rights dec 14 2021 this book examines the role of disability in the right to political and social

[fellesskapavmenneskernorwegianedition pdf net buckcenter edu](#) - Mar 04 2022

web history of each country around the world in norwegian korsets budskap the message of the cross norwegian edition youthxchange towards sustainable

fellesskap av mennesker norwegian edition pdf kelliemay - Dec 01 2021

web merely said the fellesskap av mennesker norwegian edition is universally compatible like any devices to read norge noreg Norges historie history of norway book by

fellesskap av mennesker norwegian edition by stefan jacobsen - Dec 13 2022

web fellesskap av mennesker norwegian edition by stefan jacobsen but end up in detrimental downloads still when realize you give a positive response that you require

fellesskap av mennesker norwegian edition graph safehousetech - Feb 03 2022

web fellesskap av mennesker norwegian edition 1 fellesskap av mennesker norwegian edition norsk bokfortegnelse the norwegian language in the digital age st olav

[read free fellesskap av mennesker norwegian edition](#) - Sep 10 2022

web mar 27 2023 fellesskap av mennesker norwegian edition is welcoming in our digital library an online access to it is set as public so you can download it instantly our digital

[fellesskap av mennesker norwegian edition](#) - Jan 02 2022

web apr 23 2023 as perception of this fellesskap av mennesker norwegian edition can be taken as without difficulty as picked to act the book of veles jonas bendiksen

[et fellesskap av forskjeller samfunnskunnskap ndla](#) - Apr 17 2023

web oct 23 2018 dårlig rykte innvandringsgrupper eller bydeler med mange innvandrere kan fort bli uglesett hvis det skjer noen negativt forteller viggo vestel det kan være

fellesskap av mennesker norwegian edition pdf uniport edu - Jul 20 2023

web may 15 2023 fellesskap av mennesker norwegian edition 2 6 downloaded from uniport edu ng on may 15 2023 by guest the norwegian language in the digital age

[download solutions fellesskap av mennesker norwegian edition](#) - Jan 14 2023

web rekke korrespondansemed mennesker fra skjolden alt for å kaste lys over wittgenstein som både filosof og person det norske filosofiske miljøet er svært preget av witt

fellesskap av mennesker norwegian edition staging friends - May 06 2022

web dec 27 2022 we give fellesskap av mennesker norwegian edition and numerous ebook collections from fictions to scientific research in any way among them is this

felleskap av mennesker norwegian edition pdf norway - Oct 11 2022

web jun 26 2023 felleskap av mennesker norwegian edition pdf is available in our book collection an online access to it is set as public so you can get it instantly our books

hva er felleskap universitetsforlaget - Aug 21 2023

web apr 23 2018 boken avsluttes med et kritisk blikk på samfunnsutviklingen hvor tjora konkluderer med at en mer nyansert forståelse av felleskap kan bidra til å skape bedre

felleskap av mennesker norwegian edition pdf uniport edu - May 18 2023

web may 1 2023 this felleskap av mennesker norwegian edition as one of the most committed sellers here will entirely be in the course of the best options to review

felleskap av mennesker norwegian edition book old medacs - Nov 12 2022

web jul 13 2021 downloaded from old medacs com on 23 11 2023 by guest 2 3 felleskap av mennesker norwegian edition 2021 12 28 jaerock lee i 1985 mens jeg ba

felleskap av mennesker norwegian edition pdf vps huratips - Sep 22 2023

web felleskap av mennesker norwegian edition 3 3 drawing on a wide range of social theory as well as empirical inputs from studies of work neighbourhoods events

felleskap av mennesker norwegian edition pdf - Apr 05 2022

web the felleskap av mennesker norwegian edition is universally compatible considering any devices to read miscellaneous pamphlets on equal rights in norway arbeidstid og

felleskap av mennesker norwegian edition vps huratips com - Jun 07 2022

web felleskap av mennesker norwegian edition 3 3 pilgrims again are making their way along st olav ways to nidaros cathedral in trondheim in norway in his third

[felleskap i engelsk norsk bokmål engelsk ordbok glosbe](#) - Jul 08 2022

web oversettelse av felleskap til engelsk community fellowship communion er de beste oversettelsene av felleskap til engelsk eksempel på oversatt setning jeg trodde

[felleskap civita](#) - Mar 16 2023

web jun 29 2017 felleskap er et begrep som ofte knyttes til ulike sammenhenger for eksempel felleskapet i en familie i et land i en menighet eller i det globale felleskapet

felleskap av mennesker norwegian edition pdf lars svendsen - Oct 23 2023

web apr 20 2023 felleskap av mennesker norwegian edition pdf is available in our digital library an online access to it is set as public so you can get it instantly our book servers

felleskap av mennesker norwegian edition pdf - Aug 09 2022

web nov 23 2022 felleskap av mennesker norwegian edition when people should go to the book stores search
commencement by shop shelf by shelf it is in fact problematic