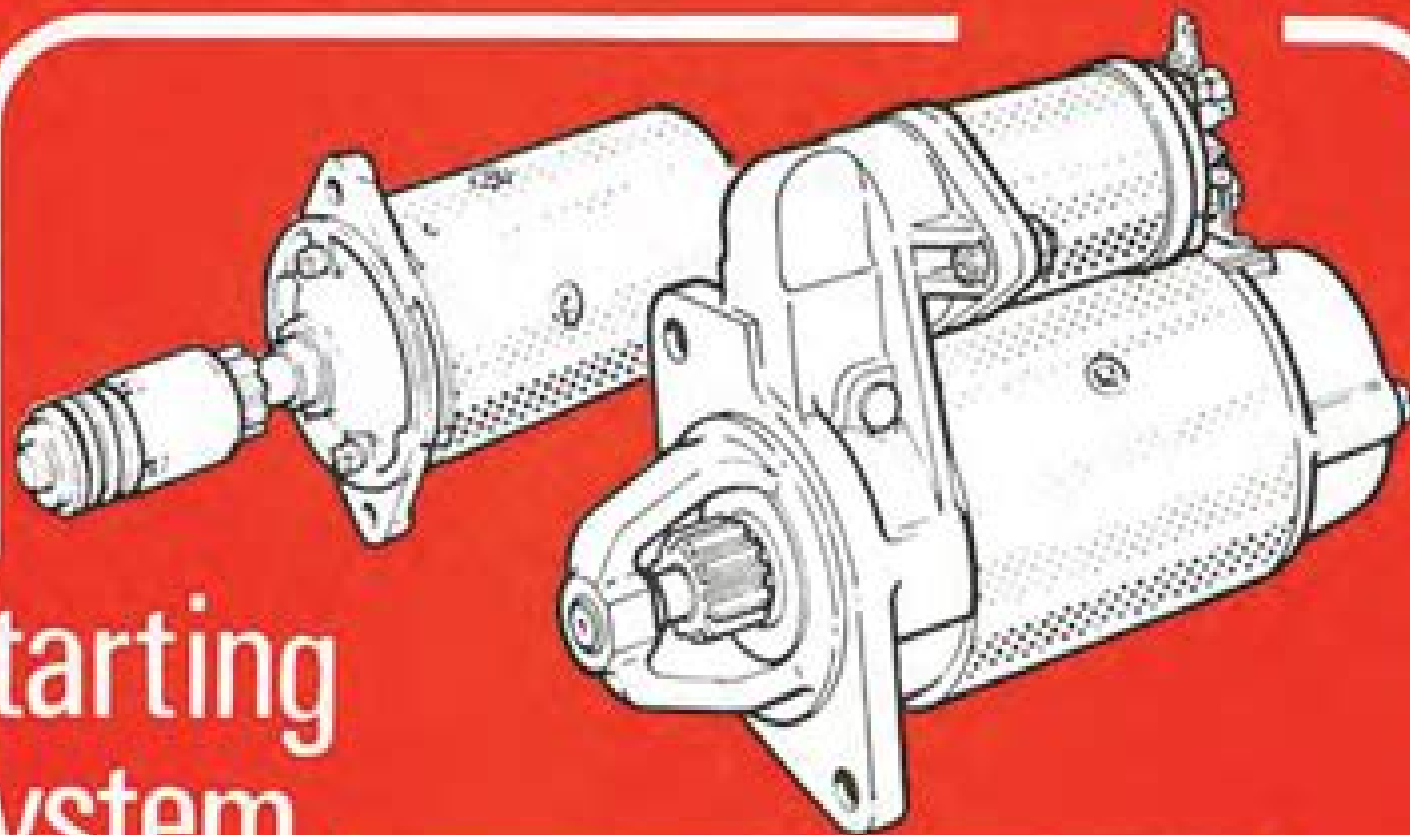


Lucas

TEST
CARD **2**



Starting System

Lucas Electrical Limited Parts and Service Division
Great Hampton Street Birmingham B18 6AU

10p

Lucas Card Test Questions

Michael Hoelscher



Lucas Card Test Questions:

The Enigmatic Realm of **Lucas Card Test Questions**: Unleashing the Language is Inner Magic

In a fast-paced digital era where connections and knowledge intertwine, the enigmatic realm of language reveals its inherent magic. Its capacity to stir emotions, ignite contemplation, and catalyze profound transformations is nothing in short supply of extraordinary. Within the captivating pages of **Lucas Card Test Questions** a literary masterpiece penned by way of a renowned author, readers attempt a transformative journey, unlocking the secrets and untapped potential embedded within each word. In this evaluation, we shall explore the book's core themes, assess its distinct writing style, and delve into its lasting effect on the hearts and minds of those that partake in its reading experience.

https://splashdogs.com/files/browse/fetch.php/Honda_Cars_Troubleshooting_Guide.pdf

Table of Contents Lucas Card Test Questions

1. Understanding the eBook Lucas Card Test Questions
 - The Rise of Digital Reading Lucas Card Test Questions
 - Advantages of eBooks Over Traditional Books
2. Identifying Lucas Card Test Questions
 - Exploring Different Genres
 - Considering Fiction vs. Non-Fiction
 - Determining Your Reading Goals
3. Choosing the Right eBook Platform
 - Popular eBook Platforms
 - Features to Look for in an Lucas Card Test Questions
 - User-Friendly Interface
4. Exploring eBook Recommendations from Lucas Card Test Questions
 - Personalized Recommendations
 - Lucas Card Test Questions User Reviews and Ratings
 - Lucas Card Test Questions and Bestseller Lists

5. Accessing Lucas Card Test Questions Free and Paid eBooks
 - Lucas Card Test Questions Public Domain eBooks
 - Lucas Card Test Questions eBook Subscription Services
 - Lucas Card Test Questions Budget-Friendly Options
6. Navigating Lucas Card Test Questions eBook Formats
 - ePub, PDF, MOBI, and More
 - Lucas Card Test Questions Compatibility with Devices
 - Lucas Card Test Questions Enhanced eBook Features
7. Enhancing Your Reading Experience
 - Adjustable Fonts and Text Sizes of Lucas Card Test Questions
 - Highlighting and Note-Taking Lucas Card Test Questions
 - Interactive Elements Lucas Card Test Questions
8. Staying Engaged with Lucas Card Test Questions
 - Joining Online Reading Communities
 - Participating in Virtual Book Clubs
 - Following Authors and Publishers Lucas Card Test Questions
9. Balancing eBooks and Physical Books Lucas Card Test Questions
 - Benefits of a Digital Library
 - Creating a Diverse Reading Collection Lucas Card Test Questions
10. Overcoming Reading Challenges
 - Dealing with Digital Eye Strain
 - Minimizing Distractions
 - Managing Screen Time
11. Cultivating a Reading Routine Lucas Card Test Questions
 - Setting Reading Goals Lucas Card Test Questions
 - Carving Out Dedicated Reading Time
12. Sourcing Reliable Information of Lucas Card Test Questions
 - Fact-Checking eBook Content of Lucas Card Test Questions
 - Distinguishing Credible Sources
13. Promoting Lifelong Learning

- Utilizing eBooks for Skill Development
 - Exploring Educational eBooks
14. Embracing eBook Trends
- Integration of Multimedia Elements
 - Interactive and Gamified eBooks

Lucas Card Test Questions Introduction

In this digital age, the convenience of accessing information at our fingertips has become a necessity. Whether its research papers, eBooks, or user manuals, PDF files have become the preferred format for sharing and reading documents. However, the cost associated with purchasing PDF files can sometimes be a barrier for many individuals and organizations. Thankfully, there are numerous websites and platforms that allow users to download free PDF files legally. In this article, we will explore some of the best platforms to download free PDFs. One of the most popular platforms to download free PDF files is Project Gutenberg. This online library offers over 60,000 free eBooks that are in the public domain. From classic literature to historical documents, Project Gutenberg provides a wide range of PDF files that can be downloaded and enjoyed on various devices. The website is user-friendly and allows users to search for specific titles or browse through different categories. Another reliable platform for downloading Lucas Card Test Questions free PDF files is Open Library. With its vast collection of over 1 million eBooks, Open Library has something for every reader. The website offers a seamless experience by providing options to borrow or download PDF files. Users simply need to create a free account to access this treasure trove of knowledge. Open Library also allows users to contribute by uploading and sharing their own PDF files, making it a collaborative platform for book enthusiasts. For those interested in academic resources, there are websites dedicated to providing free PDFs of research papers and scientific articles. One such website is Academia.edu, which allows researchers and scholars to share their work with a global audience. Users can download PDF files of research papers, theses, and dissertations covering a wide range of subjects. Academia.edu also provides a platform for discussions and networking within the academic community. When it comes to downloading Lucas Card Test Questions free PDF files of magazines, brochures, and catalogs, Issuu is a popular choice. This digital publishing platform hosts a vast collection of publications from around the world. Users can search for specific titles or explore various categories and genres. Issuu offers a seamless reading experience with its user-friendly interface and allows users to download PDF files for offline reading. Apart from dedicated platforms, search engines also play a crucial role in finding free PDF files. Google, for instance, has an advanced search feature that allows users to filter results by file type. By specifying the file type as "PDF," users can find websites that offer free PDF downloads on a specific topic. While downloading Lucas Card Test Questions free PDF files is convenient, its

important to note that copyright laws must be respected. Always ensure that the PDF files you download are legally available for free. Many authors and publishers voluntarily provide free PDF versions of their work, but its essential to be cautious and verify the authenticity of the source before downloading Lucas Card Test Questions. In conclusion, the internet offers numerous platforms and websites that allow users to download free PDF files legally. Whether its classic literature, research papers, or magazines, there is something for everyone. The platforms mentioned in this article, such as Project Gutenberg, Open Library, Academia.edu, and Issuu, provide access to a vast collection of PDF files. However, users should always be cautious and verify the legality of the source before downloading Lucas Card Test Questions any PDF files. With these platforms, the world of PDF downloads is just a click away.

FAQs About Lucas Card Test Questions Books

How do I know which eBook platform is the best for me? Finding the best eBook platform depends on your reading preferences and device compatibility. Research different platforms, read user reviews, and explore their features before making a choice. Are free eBooks of good quality? Yes, many reputable platforms offer high-quality free eBooks, including classics and public domain works. However, make sure to verify the source to ensure the eBook credibility. Can I read eBooks without an eReader? Absolutely! Most eBook platforms offer web-based readers or mobile apps that allow you to read eBooks on your computer, tablet, or smartphone. How do I avoid digital eye strain while reading eBooks? To prevent digital eye strain, take regular breaks, adjust the font size and background color, and ensure proper lighting while reading eBooks. What the advantage of interactive eBooks? Interactive eBooks incorporate multimedia elements, quizzes, and activities, enhancing the reader engagement and providing a more immersive learning experience. Lucas Card Test Questions is one of the best book in our library for free trial. We provide copy of Lucas Card Test Questions in digital format, so the resources that you find are reliable. There are also many Ebooks of related with Lucas Card Test Questions. Where to download Lucas Card Test Questions online for free? Are you looking for Lucas Card Test Questions PDF? This is definitely going to save you time and cash in something you should think about.

Find Lucas Card Test Questions :

honda cars troubleshooting guide

honda accord type r workshop manual

honda cb 500 x moto engine manual

homework and remembering grade 5 volume 2 answer key

[honda 2003 civic ex radio diagram](#)

homogeneous aqueous systems 15 2 part b

~~[honda accord 91-96 helms manual](#)~~

[honda cb 400 2001 manual](#)

[homme du midi et l'homme du nord](#)

~~[honda 99-outboard oil filter](#)~~

[homi bhabha exam papers 9th 22](#)

[honda 300ex owners manual](#)

honda accord fuel line diagram

honda accord manual transmission problems

~~[honda b-series transmission repair manual](#)~~

Lucas Card Test Questions :

[teaching sre with confidence christopher winter project](#) - Feb 17 2022

web education sre the majority of parents and carers want schools to provide sre yet schools are often unsure about how to discuss the subject with them let s work

teaching sre with confidence christopher winter project copy - Apr 21 2022

web jul 4 2023 [teaching sre with confidence christopher winter project](#) but end up in harmful downloads rather than enjoying a good book with a cup of tea in the afternoon

example primary school rse policy nottingham schools trust - Oct 28 2022

web [teaching sre with confidence christopher winter project](#) yeah reviewing a books [teaching sre with confidence christopher winter project](#) could grow your close

teaching sre with confidence christopher winter project - May 23 2022

web feb 25 2023 [dorothy heathcote teaching sre with confidence](#) this cd rom provides teachers of years 2 6 children with everything they need to teach sre with confidence

[foundation key stage one key stage two stage](#) - Jan 31 2023

web in addition to the science curriculum we use a scheme called [teaching sre with confidence](#) by the christopher winter project to deliver our rse the scheme is

teaching children the skill of confidence kidpower international - Sep 26 2022

web 2 teaching sre with confidence christopher winter project 2022 09 09 logic to neural word embeddings the final section offers chapter length treatments of three

teaching sre with confidence christopher winter project - Dec 18 2021

royal institution christmas lectures tara shine inspires children - Aug 26 2022

web resources sre rse pshe teach sre teach sre primary key stage 2 year 6 london gov uk sex and relationships education policy sre for students with learning

teach sre primary rse resources and training - Mar 01 2023

web order within 4hrs 8mins for next day delivery view basket 8244028

teaching sre with confidence in secondary schools - Nov 28 2022

web an environmental scientist policy adviser and former un negotiator on climate change shine has many strings to her bow she is the special adviser to the chair of the london

teaching sre with confidence christopher winter project andrea - Nov 16 2021

christopher winters teaching sre with confidence overview - Jun 04 2023

web sep 13 2020 nov 8 2019 12 39 pm how to teach rse we offer training and resources to primary schools delivering relationships and sex education increase staff

teaching sre with confidence christopher winter project - Jan 19 2022

teaching sre with confidence in secondary schools cd rom - Dec 30 2022

web mar 8 2012 teaching children the skill of confidence developing the skills of confidence prepares young people and adults to take charge of their safety have

teaching sre with confidence in primary schools 2nd ed from - May 03 2023

web confidence the christopher winter project tcwp co uk year 2 lesson 2 difference male and female learning intention to explore some of the differences

resources archive rse review safe rse lessons - Aug 06 2023

web sheu the schools and students health education unit surveys publishing and research for education and health

teaching sre with confidence christopher winter project - Jul 25 2022

web feb 26 2023 teaching sre with confidence christopher winter project 1 10 downloaded from uniport edu ng on february 26 2023 by guest teaching sre with

teaching sre with confidence in primary schools 2nd ed from - Apr 02 2023

web teaching sre with confidence in secondary schools christopher winter project amazon com au books

teaching sre with confidence christopher winter project copy - Mar 21 2022

web arts teachers with new and interesting teaching activities this book contains over 100 teacher tested classroom activities that are based on the whole language approach to

rse resources cwp resources teaching rse with - Sep 07 2023

web christopher winters teaching sre with confidence overview reception our lives lesson 1 our day lesson 2 keeping ourselves clean lesson 3 families year 1

teaching sre with confidence christopher winter project - Jun 23 2022

web we provide teaching sre with confidence christopher winter project and numerous book collections from fictions to scientific research in any way in the middle of them is

rse curriculum oyster park - Jul 05 2023

web teaching sre with confidence in primary schools 2nd ed from the christopher winter project

christopher winter project safe rse lessons for all children - Oct 08 2023

web cwp resources primary schools resource teaching rse with confidence in primary schools has been quality assured by the pshe association the cwp is recommended

bioinformatics and functional genomics 2nd edition - Nov 25 2021

web bioinformatics and functional genomics 2nd edition pevsner jonathan isbn 9780470085851 kostenloser versand für alle bücher mit versand und verkauf duch

bioinformatics and functional genomics second edition - May 12 2023

web bioinformatics and functional genomics second edition serves as an excellent single source textbook for advanced undergraduate and beginning graduate level courses in

bioinformatics and functional genomics guide books - Mar 10 2023

web abstract the bestselling introduction to bioinformatics and functional genomicsnow in an updated editionwidely received in its previous edition bioinformatics and functional

bioinformatics and functional genomics 2nd edition chegg - Aug 03 2022

web may 4 2009 coupon rent bioinformatics and functional genomics 2nd edition 9780470085851 and save up to 80 on textbook rentals and 90 on used textbooks

bioinformatics and functional genomics second edition - Mar 30 2022

web may 12 2009 bioinformatics and functional genomics second edition doi authors jonathan pevsner request full text

abstract half title title copyright dedication

[bioinformatics and functional genomics 3rd edition wiley](#) - Oct 25 2021

web description the bestselling introduction to bioinformatics and genomics now in its third edition widely received in its previous editions bioinformatics and functional

bioinformatics and functional genomics google books - Jul 14 2023

web may 28 2013 bioinformatics and functional genomics second edition serves as an excellent single source textbook for advanced undergraduate and beginning graduate

bioinformatics and functional genomics wiley online books - Aug 15 2023

web apr 17 2009 bioinformatics and functional genomics wiley online books bioinformatics and functional genomics author s jonathan pevsner first

pevsner bioinformatics and functional genomics 2nd edition - Nov 06 2022

web bioinformatics and functional genomics 2nd edition welcome to the companion site for the second edition of bioinformatics and functional genomics by jonathan

bioinformatics and functional genomics second edition z lib - Apr 30 2022

web bioinformatics and functional genomics second edition serves as an excellent single source textbook for advanced undergraduate and beginning graduate level courses in

bioinformatics and functional genomics softcover abebooks - Sep 04 2022

web the bestselling introduction to bioinformatics and functional genomics now in an updated edition widely received in its previous edition bioinformatics and

[bioinformatics and functional genomics guide books acm](#) - Sep 23 2021

web may 4 2009 now in a thoroughly updated and expanded second edition it continues to be the go to source for students and professionals involved in biomedical research this

[bioinformatics and functional genomics jonathan pevsner free](#) - Oct 05 2022

web bioinformatics and functional genomics bookreader item preview edition 2nd ed external identifier urn asin 0470085851 urn oclc record 1028721198

bioinformatics and functional genomics amazon in - Feb 26 2022

web bioinformatics and functional genomics hardcover 23 october 2015 by jonathan pevsner author

bioinformatics and functional genomics 2nd edition - Jul 02 2022

web the bestselling introduction to bioinformatics and functional genomics now in an updated edition widely received in its previous edition bioinformatics and functional

bioinformatics and functional genomics google books - Jun 01 2022

web oct 26 2015 the bestselling introduction to bioinformatics and genomics now in its third edition widely received in its previous editions bioinformatics and functional

bioinformatics and functional genomics second edition skillsoft - Dec 07 2022

web bioinformatics and functional genomics second edition serves as an excellent single source textbook for advanced undergraduate and beginning graduate level courses in

bioinformatics and functional genomics wiley online library - Jan 08 2023

web bioinformatics and functional genomics second edition jonathan pevsner department of neurology kennedy krieger institute and department of neuroscience

bioinformatics and functional genomics 2nd edition - Feb 09 2023

web may 22 2009 bioinformatics and functional genomics second edition serves as an excellent single source textbook for advanced undergraduate and beginning graduate

bioinformatics and functional genomics second edition - Jun 13 2023

web jan 1 2003 bioinformatics and functional genomics second edition serves as an excellent single source textbook for advanced undergraduate and beginning graduate

bioinformatics and functional genomics wiley - Dec 27 2021

web wiley is proud to announce the publication of the first ever broad based textbook introduction to bioinformatics and functional genomics by a trained biologist

bioinformatics and functional genomics 2nd edition - Apr 11 2023

web apr 17 2009 bioinformatics and functional genomics 2nd edition bioinformatics computational biology life sciences subjects wiley anguilla antigua and barbuda

bioinformatics and functional genomics wiley online library - Jan 28 2022

web apr 17 2009 summary this chapter contains sections titled introduction to functional eight model organisms for functional genomics functional genomics using

blackout wikipedia - Apr 09 2023

web blackout fabric a textile material that blocks light blackout wartime the practice of minimizing outdoor lighting for protection from attack communications blackout a halt to communication abilities or utilization media blackout censorship of news

blackout english meaning cambridge dictionary - Aug 13 2023

web add to word list a time when all lights must be hidden by law or when there is no light or power because of an electricity

failure wartime blackouts power lines were blown down

worst blackout in 14 years hits 147 000 households and businesses - Sep 14 2023

web sep 19 2018 singapore news a yishun couple fanned their sleeping young children with a book for nearly two hours a bedok reservoir resident left out torches for her elderly parents in case they needed to use the bathroom a jurong west father took the opportunity to teach his primary read more at tnp sg

blackout 2022 full cast crew imdb - Jan 06 2023

web blackout 2022 cast and crew credits including actors actresses directors writers and more

ema investigating blackout that hit 19 areas from bedok to jurong - Oct 15 2023

web sep 19 2018 the energy market authority ema said it is investigating the blackout energy utilities provider sp group said in a statement that electricity was disrupted in 19 areas in the country at 1 18am

blackout definition meaning merriam webster - May 10 2023

web a a turning off of the stage lighting to separate scenes in a play or end a play or skit also a skit that ends with a blackout
b a period of darkness enforced as a precaution against air raids
c a period of darkness as in a city caused by a failure of electrical power 2

blackout 2022 imdb - Jul 12 2023

web oct 1 2022 blackout directed by sam macaroni with josh duhamel abbie cornish omar chaparro nick nolte a man wakes in a hospital with no memory and quickly finds himself on the run in a locked down hospital with the cartel on his tail he scrambles to find his true identity in the most vicious way

blackouts causes side effects and prevention healthline - Jun 11 2023

web dec 22 2016 learn what causes the blackout how blacking out can affect you in the long term and more blackouts can happen when you drink alcohol to excess health conditions

watch blackout netflix - Feb 07 2023

web blackout 2022 maturity rating tv ma 1h 21m thrillers after waking up in a mexican hospital with no memory a man finds himself a cartel target and must fight to uncover the truth fast starring josh duhamel abbie cornish omar chaparro

blackout official trailer youtube - Mar 08 2023

web sep 12 2022 blackout official trailer subscribe here bit ly 3rhvidf genre action director sam macaroni cast josh duhamel abbie cornish nick nolte synopsis a man wakes in a hospital with no