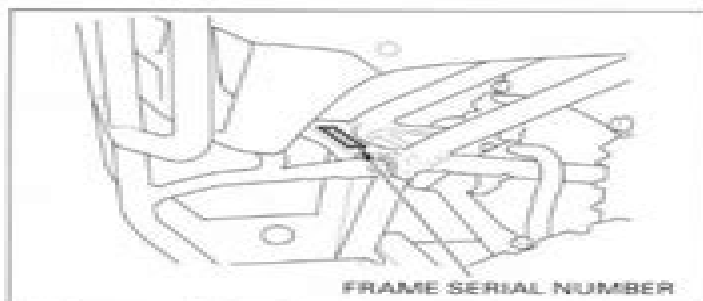
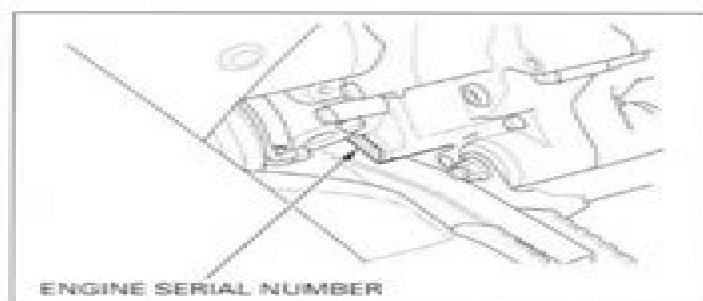


MODEL IDENTIFICATION

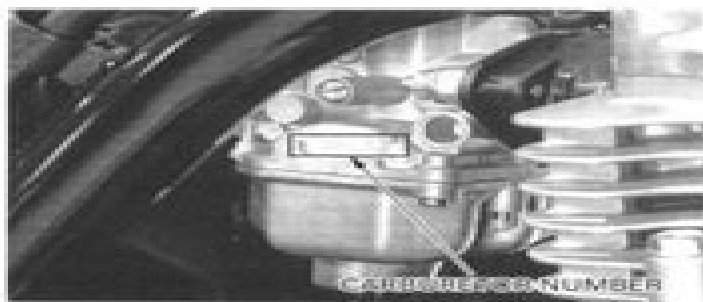
'97 SHOWN; AFTER '97 SIMILAR



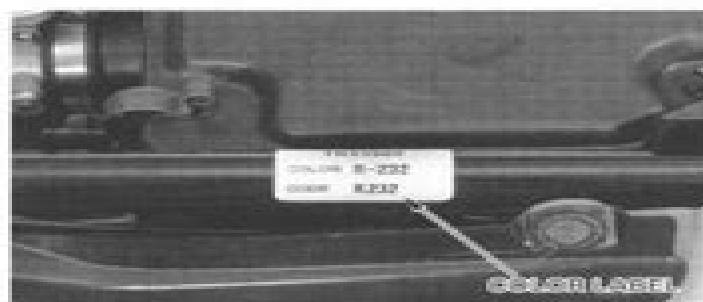
The frame serial number is stamped on the front of the frame.



The engine serial number is stamped on the rear half of the lower crankcase, viewed from the right side.



The carburetor identification numbers are stamped on the right side of the carburetor body as shown.



The color label is attached to the frame under the seat as shown. When ordering color-coded parts, always specify the designated color code.

Manual Honda Trx 250 Tm

Clifford Lane



Manual Honda Trx 250 Tm:

American Motorcyclist ,2005-01 *American Motorcyclist* magazine the official journal of the American Motorcyclist Association tells the stories of the people who make motorcycling the sport that it is It s available monthly to AMA members Become a part of the largest most diverse and most enthusiastic group of riders in the country by visiting our website or calling 800 AMA JOIN **Farm Journal** ,2006 *Cycle World* ,2005 *Australian Viticulture* ,1996 *Cycle World Magazine* ,2005-01 *Honda TRX250 Recon and Recon ES 1997-2011* Penton Staff,2000-05-24 TRX250 Recon 1997 2011 TRX250 Recon ES 2002 2011 **Honda Service Manual, 85-87 TRX 250 Fourtrax 250** ,1986 *Blue Ribbon Magazine* ,2004 Dedicated to the preservation of all forms of off road recreation in an environmentally responsible manner **Honda Service Manual** ,1997 *Clymer Honda TRX250 Recon & Recon ES, 1997-2007* ,2008-01-04 *Honda Rancher, Recon & TRX250EX ATV's* Editors of Haynes Manuals,2010-01-15 Haynes manuals are written specifically for the do it yourselfer yet are complete enough to be used by professional mechanics Since 1960 Haynes has produced manuals written from hands on experience based on a vehicle teardown with hundreds of photos and illustrations making Haynes the world leader in automotive repair information **Honda TRX250 Recon & Recon ES 1997-2016** Penton Staff,2016-07-15 TROUBLESHOOTING LUBRICATION MAINTENANCE AND TUNE UP ENGINE TOP END ENGINE LOWER END CLUTCH AND EXTERNAL SHIFT MECHANISM TRANSMISSION AND INTERNAL SHIFT MECHANISM FUEL EMISSION CONTROL AND EXHAUST SYSTEMS ELECTRICAL SYSTEM COOLING SYSTEM WHEELS TIRES AND DRIVE CHAIN FRONT SUSPENSION AND STEERING REAR SUSPENSION BRAKES BODY AND FRAME COLOR WIRING DIAGRAMS *Honda TRX350, TRX250 and TRX250EX ATV Owners Workshop Manual* Alan Ahlstrand,John Harold Haynes,2005 **Honda Service Manual** Honda Giken Kōgyō Kabushiki Kaisha,1998 **87-88 TRX250X Fourtrax** ,1987 **Honda Service Manual 91 TRX 250X Fourtrax** ,1990 *Honda Service Manual 86-89 TRX 250R Fourtrax 250R* ,1988 *Honda Service Manual 86-88 TRX 250R Fourtrax 250R* ,1987 **Honda Foreman 400 and 450 ATVs** Alan Ahlstrand,John Harold Haynes,2002 Every Haynes manual is based on a complete teardown and rebuild contains hundreds of hands on photos tied to step by step instructions and is thorough enough to help anyone from a do it your selfer to a professional **Honda 250, 300 Shop Manual** Honda Giken Kōgyō Kabushiki Kaisha. Technical Section. Export Department,1960

Thank you very much for reading **Manual Honda Trx 250 Tm**. As you may know, people have search numerous times for their chosen readings like this Manual Honda Trx 250 Tm, but end up in infectious downloads. Rather than reading a good book with a cup of tea in the afternoon, instead they are facing with some infectious bugs inside their laptop.

Manual Honda Trx 250 Tm is available in our book collection an online access to it is set as public so you can get it instantly. Our book servers saves in multiple locations, allowing you to get the most less latency time to download any of our books like this one.

Merely said, the Manual Honda Trx 250 Tm is universally compatible with any devices to read

https://splashdogs.com/About/Resources/default.aspx/Jungheinrich_Emc_B10_Instruction_Manual.pdf

Table of Contents Manual Honda Trx 250 Tm

1. Understanding the eBook Manual Honda Trx 250 Tm
 - The Rise of Digital Reading Manual Honda Trx 250 Tm
 - Advantages of eBooks Over Traditional Books
2. Identifying Manual Honda Trx 250 Tm
 - Exploring Different Genres
 - Considering Fiction vs. Non-Fiction
 - Determining Your Reading Goals
3. Choosing the Right eBook Platform
 - Popular eBook Platforms
 - Features to Look for in an Manual Honda Trx 250 Tm
 - User-Friendly Interface
4. Exploring eBook Recommendations from Manual Honda Trx 250 Tm
 - Personalized Recommendations
 - Manual Honda Trx 250 Tm User Reviews and Ratings

- Manual Honda Trx 250 Tm and Bestseller Lists
- 5. Accessing Manual Honda Trx 250 Tm Free and Paid eBooks
 - Manual Honda Trx 250 Tm Public Domain eBooks
 - Manual Honda Trx 250 Tm eBook Subscription Services
 - Manual Honda Trx 250 Tm Budget-Friendly Options
- 6. Navigating Manual Honda Trx 250 Tm eBook Formats
 - ePub, PDF, MOBI, and More
 - Manual Honda Trx 250 Tm Compatibility with Devices
 - Manual Honda Trx 250 Tm Enhanced eBook Features
- 7. Enhancing Your Reading Experience
 - Adjustable Fonts and Text Sizes of Manual Honda Trx 250 Tm
 - Highlighting and Note-Taking Manual Honda Trx 250 Tm
 - Interactive Elements Manual Honda Trx 250 Tm
- 8. Staying Engaged with Manual Honda Trx 250 Tm
 - Joining Online Reading Communities
 - Participating in Virtual Book Clubs
 - Following Authors and Publishers Manual Honda Trx 250 Tm
- 9. Balancing eBooks and Physical Books Manual Honda Trx 250 Tm
 - Benefits of a Digital Library
 - Creating a Diverse Reading Collection Manual Honda Trx 250 Tm
- 10. Overcoming Reading Challenges
 - Dealing with Digital Eye Strain
 - Minimizing Distractions
 - Managing Screen Time
- 11. Cultivating a Reading Routine Manual Honda Trx 250 Tm
 - Setting Reading Goals Manual Honda Trx 250 Tm
 - Carving Out Dedicated Reading Time
- 12. Sourcing Reliable Information of Manual Honda Trx 250 Tm
 - Fact-Checking eBook Content of Manual Honda Trx 250 Tm
 - Distinguishing Credible Sources

13. Promoting Lifelong Learning
 - Utilizing eBooks for Skill Development
 - Exploring Educational eBooks
14. Embracing eBook Trends
 - Integration of Multimedia Elements
 - Interactive and Gamified eBooks

Manual Honda Trx 250 Tm Introduction

In this digital age, the convenience of accessing information at our fingertips has become a necessity. Whether its research papers, eBooks, or user manuals, PDF files have become the preferred format for sharing and reading documents. However, the cost associated with purchasing PDF files can sometimes be a barrier for many individuals and organizations. Thankfully, there are numerous websites and platforms that allow users to download free PDF files legally. In this article, we will explore some of the best platforms to download free PDFs. One of the most popular platforms to download free PDF files is Project Gutenberg. This online library offers over 60,000 free eBooks that are in the public domain. From classic literature to historical documents, Project Gutenberg provides a wide range of PDF files that can be downloaded and enjoyed on various devices. The website is user-friendly and allows users to search for specific titles or browse through different categories. Another reliable platform for downloading Manual Honda Trx 250 Tm free PDF files is Open Library. With its vast collection of over 1 million eBooks, Open Library has something for every reader. The website offers a seamless experience by providing options to borrow or download PDF files. Users simply need to create a free account to access this treasure trove of knowledge. Open Library also allows users to contribute by uploading and sharing their own PDF files, making it a collaborative platform for book enthusiasts. For those interested in academic resources, there are websites dedicated to providing free PDFs of research papers and scientific articles. One such website is Academia.edu, which allows researchers and scholars to share their work with a global audience. Users can download PDF files of research papers, theses, and dissertations covering a wide range of subjects. Academia.edu also provides a platform for discussions and networking within the academic community. When it comes to downloading Manual Honda Trx 250 Tm free PDF files of magazines, brochures, and catalogs, Issuu is a popular choice. This digital publishing platform hosts a vast collection of publications from around the world. Users can search for specific titles or explore various categories and genres. Issuu offers a seamless reading experience with its user-friendly interface and allows users to download PDF files for offline reading. Apart from dedicated platforms, search engines also play a crucial role in finding free PDF files. Google, for instance, has an advanced search feature that allows users to filter results by file type. By specifying the file type as "PDF," users can find websites that offer

free PDF downloads on a specific topic. While downloading Manual Honda Trx 250 Tm free PDF files is convenient, its important to note that copyright laws must be respected. Always ensure that the PDF files you download are legally available for free. Many authors and publishers voluntarily provide free PDF versions of their work, but its essential to be cautious and verify the authenticity of the source before downloading Manual Honda Trx 250 Tm. In conclusion, the internet offers numerous platforms and websites that allow users to download free PDF files legally. Whether its classic literature, research papers, or magazines, there is something for everyone. The platforms mentioned in this article, such as Project Gutenberg, Open Library, Academia.edu, and Issuu, provide access to a vast collection of PDF files. However, users should always be cautious and verify the legality of the source before downloading Manual Honda Trx 250 Tm any PDF files. With these platforms, the world of PDF downloads is just a click away.

FAQs About Manual Honda Trx 250 Tm Books

1. Where can I buy Manual Honda Trx 250 Tm books? Bookstores: Physical bookstores like Barnes & Noble, Waterstones, and independent local stores. Online Retailers: Amazon, Book Depository, and various online bookstores offer a wide range of books in physical and digital formats.
2. What are the different book formats available? Hardcover: Sturdy and durable, usually more expensive. Paperback: Cheaper, lighter, and more portable than hardcovers. E-books: Digital books available for e-readers like Kindle or software like Apple Books, Kindle, and Google Play Books.
3. How do I choose a Manual Honda Trx 250 Tm book to read? Genres: Consider the genre you enjoy (fiction, non-fiction, mystery, sci-fi, etc.). Recommendations: Ask friends, join book clubs, or explore online reviews and recommendations. Author: If you like a particular author, you might enjoy more of their work.
4. How do I take care of Manual Honda Trx 250 Tm books? Storage: Keep them away from direct sunlight and in a dry environment. Handling: Avoid folding pages, use bookmarks, and handle them with clean hands. Cleaning: Gently dust the covers and pages occasionally.
5. Can I borrow books without buying them? Public Libraries: Local libraries offer a wide range of books for borrowing. Book Swaps: Community book exchanges or online platforms where people exchange books.
6. How can I track my reading progress or manage my book collection? Book Tracking Apps: Goodreads, LibraryThing, and Book Catalogue are popular apps for tracking your reading progress and managing book collections. Spreadsheets: You can create your own spreadsheet to track books read, ratings, and other details.

7. What are Manual Honda Trx 250 Tm audiobooks, and where can I find them? Audiobooks: Audio recordings of books, perfect for listening while commuting or multitasking. Platforms: Audible, LibriVox, and Google Play Books offer a wide selection of audiobooks.
8. How do I support authors or the book industry? Buy Books: Purchase books from authors or independent bookstores. Reviews: Leave reviews on platforms like Goodreads or Amazon. Promotion: Share your favorite books on social media or recommend them to friends.
9. Are there book clubs or reading communities I can join? Local Clubs: Check for local book clubs in libraries or community centers. Online Communities: Platforms like Goodreads have virtual book clubs and discussion groups.
10. Can I read Manual Honda Trx 250 Tm books for free? Public Domain Books: Many classic books are available for free as they're in the public domain. Free E-books: Some websites offer free e-books legally, like Project Gutenberg or Open Library.

Find Manual Honda Trx 250 Tm :

[jungheinrich emc b10 instruction manual](#)

[jvc hd1 manual](#)

[just like cats and dogs](#)

jvc camcorder manual archives

[june 2014 physical sciences grade 1 question paper](#)

[june exam paper 2014 grade 1 mathematics](#)

[jungle comics 135 golden age jungle comic](#)

[june exam 2013 grade physitcs memo](#)

[june 2core maths paper](#)

june exam papers 22

[juvinall marshek solution manual 5th](#)

[jungle puppet printables](#)

[june 20maths past paper gcse](#)

june time table for 550

[jvc gr dv800u manual](#)

Manual Honda Trx 250 Tm :

europaean trucks adult coloring book by motornostalgia - Dec 07 2022

web adult coloring book 40 pictures of europaean trucks in need of color individual printed to prevent bleed through in this coloring book you can find today's well known europaean truck brands like mercedes benz volvo scania renault daf and iveco as well as lesser known brands like ftf hanomag henschel magirus deutz sisu saurer and

europaean trucks adult coloring book pdf wrbb neu - Jan 08 2023

web you could enjoy now is europaean trucks adult coloring book below europaean trucks adult coloring book 2022 07 26 jamie morgan amazing illustrations of trains planes and automobiles the experiment enter the magical world of unicorns in this adorable colouring book scenes to colour include unicorns soaring amongst rainbows galloping

180 best truck coloring pages ideas pinterest - Oct 05 2022

web may 8 2020 explore ryan metcalfe's board truck coloring pages on pinterest see more ideas about truck coloring pages coloring pages cars coloring pages

truck adult coloring book etsy - Aug 03 2022

web classic trucks cars an adult coloring book filled with images of 50 classic cars and trucks to color instant download

truck adult coloring pages apps on google play - Jul 14 2023

web aug 19 2023 no need to bother to wipe to color the coloring sheet like a coloring game it's time to explore deeper colors with a varied color palette for the sake of the trucks' aura in trucks

trucks coloring book for adults lorries semi trucks and heavy - Jun 13 2023

web mar 5 2021 buy trucks coloring book for adults lorries semi trucks and heavy equipment creativity and stress relief colouring book for seniors and busy adults by poe jack isbn 9798717472333 from amazon's book store everyday low prices and free delivery on eligible orders

truck adult coloring pages apk for android download - Dec 27 2021

web jul 31 2022 this coloring book is for all ages android app that contains various trucks recolor ideas discover the amazing of colors in heavy duty pictures develop your creativity and feel in filling bright colors with truck heavy duty coloring app you get a different experience in coloring features simple and intuitive interface zooming images

trucks rustic restored adult coloring book flip thru - Mar 30 2022

web adult coloring books trucks rustic restored includes free pdf version and color guide 48 grayscale coloring pages of old rustic restored trucks like for

25 free truck coloring pages for kids and adults blitsy - Mar 10 2023

web truck coloring pages are printable sheets that have pictures of trucks that you can color with crayons markers pencils or

paints find truck coloring pages online or in coloring books some truck coloring pages are realistic while others are cartoon like

motornostalgia coloring bks european trucks adult coloring - Apr 11 2023

web adult coloring book 40 pictures of european trucks in need of color individual printed to prevent bleed through in this coloring book you can find today's well known european truck brands as well as lesser known brands different levels of coloring from the easy to the advanced

vintage cars and trucks coloring book for adults and children of - Apr 30 2022

web feb 16 2023 classic cars and trucks adult coloring book gift ideas updated third edition summer 2023 bonus coloring pages now included let your creativity take the wheel with vintage cars and trucks a coloring book masterfully crafted for adults and children alike

european trucks colouring book for adults 25 pages of lorries - Aug 15 2023

web buy european trucks colouring book for adults 25 pages of lorries semi trucks and heavy equipment stress relief and relaxation coloring book for teens adults and seniors by mccarthy alex isbn 9798440777903 from amazon s book store everyday low prices and free delivery on eligible orders

european trucks adult coloring book copy ftp cosyclub co - Sep 04 2022

web european trucks adult coloring book 50 trucks ready to go vol 1 adult coloring books adult coloring books for men trucks unlimited first colouring book jungle european trucks the serial killer coloring book cars and vehicles coloring book for kids ages 4 8 birds of prey coloring book adult coloring books for men trucks

trucks coloring pages free coloring pages - May 12 2023

web trucks coloring pages select from 72858 printable coloring pages of cartoons animals nature bible and many more

european trucks adult coloring book by motornostalgia - Feb 26 2022

web jun 3 2023 european trucks adult coloring book by motornostalgia european trucks adult coloring book by motornostalgia coloring car pages for kids your aaa network country car with images farm coloring pages printable coloring books for adults children amp teens barnes amp noble war machines tank battle army amp military games apps

trucks online coloring pages thecolor com - Feb 09 2023

web color pictures email pictures and more with these trucks coloring pages click on any picture of trucks above to start coloring when the online coloring page has loaded select a color and start clicking on the picture to color it

european trucks adult coloring book copy uniport edu - Nov 06 2022

web may 20 2023 european trucks motornostalgia 2019 05 12 european trucks adult coloring book 40 pictures of european trucks in need of color individual printed to prevent bleed through in this coloring book you can find today's well known

european truck brands like mercedes benz volvo scania renault daf and

truck coloring pages apps on google play - Jan 28 2022

web aug 7 2023 every fan of cool auto will love paint by number our amazing cars coloring pages truck coloring pages free is easy app for adult and all ages select each truck colour page by simple tap enjoy your truck ride to spend your time and good for relaxation

european trucks adult coloring book cioal com - Jun 01 2022

web aug 2 2023 enter the realm of european trucks adult coloring book a mesmerizing literary masterpiece penned by way of a distinguished author guiding readers on a profound journey to unravel the secrets and potential hidden within every word

european trucks adult coloring book pdf pdf black ortax - Jul 02 2022

web introduction european trucks adult coloring book pdf pdf the acupuncture points functions colouring book rainy hutchinson 2015 06 15 learn the functions of acupuncture points by colouring and doodling your way through the sequence of images on the twelve primary and eight extra channels

browse printable worksheets education com - Jan 29 2023

web world studies worksheets encourage your child to learn about living and ancient cultures from around the world world studies is the social cultural and political study of the

top toughest exams in the world 2023 erudera - Feb 15 2022

web 1 day ago read the following text and answer questions 1 9 below 1 hotel prices in paris during the 2024 olympics have already increased by more than three and a half times

world studies final exam study guide flashcards studyhippo - Sep 24 2022

web study with quizlet and memorize flashcards containing terms like lost colony constitution transcontinental railroad and more

world large countries map quiz game seterra geoguessr - May 01 2023

web world large countries map quiz game even though there are 195 countries some stand out on the map more than others russia for example is just over 17 million

world studies a final exam review flashcards quizlet - Mar 31 2023

web glorious revolution the last revolution in britain because there was little armed resistance in england to william and mary the revolution is also called the bloodless revolution

study buddy challenger paris hotel prices surge during 2024 - Jan 17 2022

web Établie en 2011 worldwide studies est spécialisée dans le conseil et l'orientation pour les études à l'étranger ainsi que

les séjours linguistiques de grande qualité 60 av de

world studies bju press - Jul 23 2022

web jul 7 2022 world studies final exam flashcards get access to high quality and unique 50 000 college essay examples and more than 100 000 flashcards and test answers

home worldwide studies - Dec 16 2021

web nov 2 2023 the 1 5c limit is deadlier than a doornail said study co author james hansen of columbia university s earth institute who was among the first scientists to

world studies tests 4th ed bju press - Dec 28 2022

web here are two study guides for ap world history whap the first comprehensive pdf has 64 pages and covers all 9 units from early developments in east asia to globalization

world history arts and humanities khan academy - Feb 27 2023

web from the earliest civilizations to the modern world geography religion trade and politics have bound peoples and nations together and torn them apart take a journey

results for world studies test tpt - Mar 19 2022

web here s the list of the top toughest exams in the world gaokao exam china iit jee exam joint entrance exam indian institute of technology india upsc exam union

archive regents examination in global history and geography - Apr 19 2022

web this study guide and test is a great way to assess your student s knowledge about world war i both the study guide and test cover vocabulary the causes of world war i u s

seterra geography games - Oct 06 2023

web do it the easy way with seterra in no time you could learn to locate every single country in the world on a map seterra includes fun quizzes that help familiarize you with countries

ap world history whap free study guide simple studies - Nov 26 2022

web jan 26 2023 all we needed to study for the first exam in world studies learn with flashcards games and more for free the ultimate map quiz site seterra geoguessr - Oct 14 2021

cambridge international education - Aug 04 2023

web cambridge exams officers guide phase 1 preparation phase 2 entries phase 3 coursework and moderation phase 4 before the exam phase 5 exam day phase 6

world studies final exam study guide flashcards quizlet - Jul 03 2023

web study with quizlet and memorize flashcards containing terms like balance of trade boxer uprising concession and more
world studies final exam flashcards quizlet - Sep 05 2023

web 1 137 flashcards learn test match created by imagine world studies final exam terms in this set 137 royalists this group of people included the nobles and landowners who

global warming will reach 1 5c threshold this decade report - Nov 14 2021

web 195 states recognized by the united nations view all games about world become a geography expert and have fun at the same time seterra is an entertaining and

world studies exam 1 flashcards quizlet - Oct 26 2022

web jul 7 2022 world studies final exam study guide flashcards get access to high quality and unique 50 000 college essay examples and more than 100 000 flashcards

the program global studies - May 21 2022

web sep 6 2022 january 2017 regents examination in global history and geography 1 02 mb scoring key part i and rating guide part ii thematic essay 620 kb rating

world studies extended essay international baccalaureate - Jun 02 2023

web jun 6 2023 a world studies extended essay must focus on a topic of global significance this encourages the student to reflect on the world today in relation to issues such as

world studies final exam review flashcards quizlet - Aug 24 2022

web world studies 5th edition will equip students to analyze and evaluate critical world events from a biblical worldview students will strengthen their knowledge of social studies by

world studies final exam flashcards studyhippo com - Jun 21 2022

web a candidate for honors in global studies must maintain at least a b average in the concentration and be admitted to candidacy by the program faculty an honors candidate

acls trattamento avanzato dell emergenza cardiore web1 kdhx - Oct 26 2022

web acls trattamento avanzato dell emergenza cardiore 1 acls trattamento avanzato dell emergenza cardiore sutura come un chirurgo una guida medica ai nodi chirurgici e alle tecniche di sutura utilizzate nei reparti di chirurgia pronto soccorso e medicina generale mri of the heart and vessels neurology acls

acls trattamento avanzato dell emergenza cardiorespiratoria - May 01 2023

web acls trattamento avanzato dell emergenza cardiorespiratoria ebook aehlert barbara amazon it libri

supporto avanzato di rianimazione cardiovascolare acls - Mar 31 2023

web dec 28 2020 gli obiettivi dell acls sono ottenere un ritorno di circolo spontaneo stabilizzare il ritmo cardiaco garantire il

supporto dei parametri vitali abc preservare l integrità dell encefalo danno ipossico cerebrale casi d intervento il supporto avanzato di rianimazione cardiovascolare si applica in presenza dei

acls trattamento avanzato dell emergenza cardiore pdf 2023 - Jul 23 2022

web acls trattamento avanzato dell emergenza cardiore pdf embracing the song of term an emotional symphony within acls trattamento avanzato dell emergenza cardiore pdf in a global used by screens and the ceaseless chatter of fast transmission the melodic splendor and emotional symphony created by the published word often diminish into the

cos è l acls spiegato - Jan 29 2023

web oltre alla rianimazione l obiettivo dell acls è iniziare a identificare ciò che non va nel paziente in modo da poter creare un piano di trattamento a lungo termine le linee guida sono in continua evoluzione a causa delle nuove informazioni in campo medico e le persone dopo la certificazione richiedono frequenti ricertificazioni

acls trattamento avanzato dell emergenza cardiore pdf - Apr 19 2022

web 4 acls trattamento avanzato dell emergenza cardiore 2022 09 10 performance of image analysis in a quantitative and reproducible manner the use of non ionizing energy with the consequent absence of an environmental impact and of operator and patient biohazards makes mri a winning technique when evaluating the risk benefit ratio in

acls trattamento avanzato dell emergenza cardiore - Feb 15 2022

web right here we have countless book acls trattamento avanzato dell emergenza cardiore and collections to check out we additionally manage to pay for variant types and afterward type of the books to browse the customary book fiction history novel scientific research as capably as various further sorts of books are readily open here

acls trattamento avanzato dell emergenza cardiore full pdf - Jun 21 2022

web acls trattamento avanzato dell emergenza cardiorespiratoria adhesive cementation on natural teeth mri of the heart and vessels robbins and cotran atlas of pathology acls trattamento avanzato dell emergenza cardiore downloaded from testapi mobal com by guest mayo hughes the newborn in the intensive care unit w w norton

acls trattamento avanzato dell emergenza cardiore copy - May 21 2022

web this acls trattamento avanzato dell emergenza cardiore as one of the most operational sellers here will utterly be in the course of the best options to review acls trattamento avanzato dell emergenza cardiore downloaded from archive stirlingsports co nz by guest summers keely advanced cardiac life support

acls trattamento avanzato dell emergenza cardiorespiratoria by - Mar 19 2022

web may 15th 2020 acls trattamento avanzato dell emergenza cardiorespiratoria è un libro di aehlert barbara j edito da elsevier a marzo 2018 ean 9788821447273 puoi acquistarlo sul sito hoepli it la grande libreria online libri medicina d urgenza catalogo libri medicina d

acls trattamento avanzato dell emergenza cardiore - Sep 05 2023

web riferimento per i corsi di acls in conformità alle ultime linee guida aha 2021 2025 favorendo l apprendimento della metodologia di approccio in emergenza del paziente acuto con elevata instabilità clinica e del paziente critico delle tecniche e procedure di supporto avanzato delle funzioni vitali

acls trattamento avanzato dell emergenza cardiore - Aug 24 2022

web acls trattamento avanzato dell emergenza cardiore 3 3 baim s cardiac catheterized on angiography and intervention cover publishing company designed to accompany robbins and cotran pathologic basis of disease 7th edition this work includes many colour illustrations that depict almost all of the major conditions that are most commonly

corso per operatori acls heart - Jun 02 2023

web corso per operatori acls il supporto vitale cardiovascolare avanzato acls si basa sul bls con un enfasi particolare sull importanza di una rcp continua e di alta qualità

acls supporto vitale cardiovascolare avanzato ambulaife - Dec 28 2022

web il corso è destinato agli operatori sanitari che coordinano o partecipano alla gestione dell arresto cardiopolmonare o di altre emergenze cardiovascolari inclusi il personale del sistema di risposta all emergenza di medicina d urgenza e di terapia intensiva quali medici infermieri e operatori non medici e tutti coloro che necessitano dell attestato di

acls trattamento avanzato dell emergenza cardiorespiratoria - Feb 27 2023

web mar 25 2018 la quinta edizione di acls study guide è un testo che spazia dalla gestione delle vie aeree all arresto cardiaco e alla sua gestione dalle sindromi coronariche acute all ictus acuto e presenta le più recenti e aggiornate indicazioni all assistenza cardiovascolare di emergenza

sintesi delle linee guida del 2020 dell american heart association - Jul 03 2023

web questa sintesi riassume i principali argomenti e le modifiche delle linee guida 2020 per la rianimazione cardiopolmonare rcp e il trattamento delle emergenze cardiovascolari ecc emergency cardiovascular care dell american heart association aha

acls trattamento avanzato dell emergenza cardiore full pdf - Sep 24 2022

web acls trattamento avanzato dell emergenza cardiore downloaded from cdn writermag com by guest mack tiana acls study guide text and e book package springer nature in recent years magnetic resonance imaging mri has enriched the technological potential available for the characterization of cardiovascular pathologies

acls trattamento avanzato dell emergenza cardiorespiratoria - Oct 06 2023

web affrontando argomenti che spaziano dal trattamento delle vie aeree all arresto cardiaco dalle sindromi coronariche acute all ictus acuto si presta ad essere il manuale di riferimento per i corsi di acls in conformità alle ultime linee guida aha 2021 2025 favorendo l apprendimento della metodologia di approccio in emergenza del paziente

acls trattamento avanzato dell emergenza cardiore - Nov 26 2022

web acs trattamento avanzato dell emergenza cardiore 3 3 avanzato dell emergenza cardiorespiratoria john libbey eurotext the save a life initiative has just released its newest course advanced cardiac life support acs this manual is based on the 2015 2020 advanced cardiac life support guidelines published by the american heart

acsl trattamento avanzato dell emergenza cardiorespiratoria - Aug 04 2023

web acs trattamento avanzato dell emergenza cardiorespiratoria aehlert b titolo professionale cardiologia marzo 2018 isbn 9788821447273 pagine 312 come strumento di preparazione per i corsi di acs favorendo l apprendimento di tecniche e procedure di supporto avanzato delle funzioni vitali