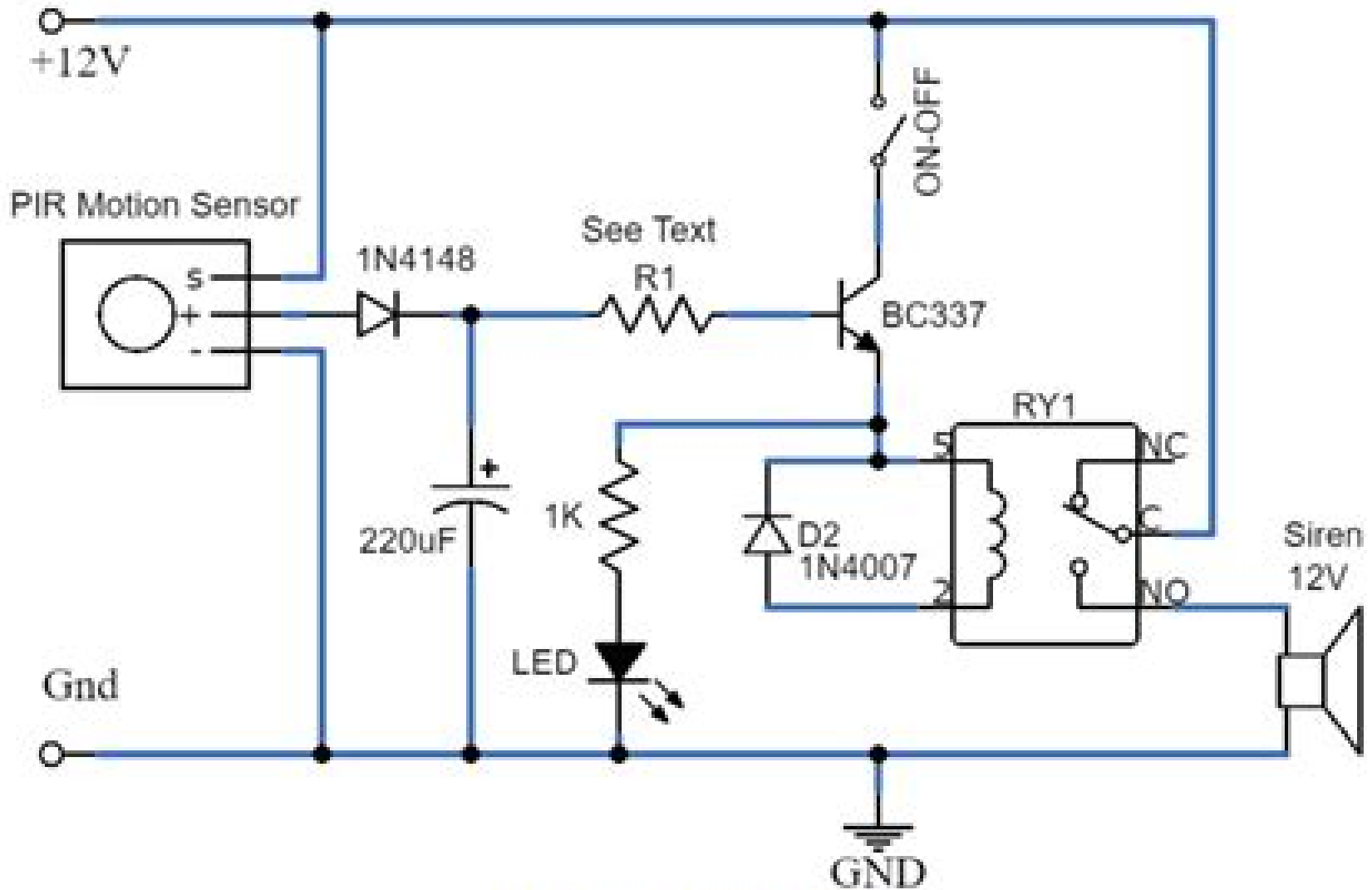


# Motion Detection Alarm Circuit



For Complete Details Visit :  
[www.Circuits-DIY.com](http://www.Circuits-DIY.com)

# Motion Sensor Alarm Circuit Diagram

**Lei Huang**



## **Motion Sensor Alarm Circuit Diagram:**

**Compendium of Biomedical Instrumentation, 3 Volume Set** Raghbir Singh Khandpur, 2020-02-25 An essential reference filled with 400 of today's current biomedical instruments and devices Designed mainly for the active bio medical equipment technologists involved in hands on functions like managing these technologies by way of their usage operation principle of operation which covers physics engineering electronics and data processing brief specifications and major applications Devices listed range from the accelerometer ballistocardiograph microscopes lasers and electrocardiograph to gamma counter hyperthermia system microtome positron emission tomography uroflowmeter and many more Covers almost the entire range of medical instruments and devices which are generally available in hospitals medical institutes at tertiary secondary and peripheral level facilities Presents broad areas of applications of medical instruments technology including specialized equipment for various medical specialties fully illustrated with figures photographs Contains exhaustive description on state of the art instruments and also includes some generation old legacy instruments which are still in use in some medical facilities Compendium of Biomedical Instrumentation is a must have resource for professionals and undergraduate and graduate students in biomedical engineering as well as for clinical engineers and bio medical equipment technicians

**Building a Home Security System with Raspberry Pi** Matthew Poole, 2015-12-28 Build your own sophisticated modular home security system using the popular Raspberry Pi board About This Book This book guides you through building a complete home security system with Raspberry Pi and helps you remotely access it from a mobile device over the Internet It covers the fundamentals of interfacing sensors and cameras with the Raspberry Pi so that you can connect it to the outside world It follows a modular approach so that you can choose the modules and features you want for your customized home security system Who This Book Is For This book is for anyone who is interested in building a modular home security system from scratch using a Raspberry Pi board basic electronics sensors and simple scripts This book is ideal for enthusiastic novice programmers electronics hobbyists and engineering professionals It would be great if you have some basic soldering skills in order to build some of the interface modules What You Will Learn Understand the concepts behind alarm systems and intrusion detection devices Connect sensors and devices to the on board digital GPIO ports safely Monitor and control connected devices easily using Bash shell scripting Build an I/O port expander using the I2C bus and connect sensors and anti tamper circuits Capture and store images using motion detectors and cameras Access and manage your system remotely from your mobile phone Receive intrusion alerts and images through your e mail Build a sophisticated multi zone alarm system In Detail The Raspberry Pi is a powerful low cost credit card sized computer which lends itself perfectly as the controller for a sophisticated home security system Using the on board interfaces available the Raspberry Pi can be expanded to allow the connection of a virtually infinite number of security sensors and devices The Raspberry Pi has the processing power and interfaces available to build a sophisticated home security system but at a fraction of the cost of commercially

available systems Building a Home Security System with Raspberry Pi starts off by showing you the Raspberry Pi and how to set up the Linux based operating system It then guides you through connecting switch sensors and LEDs to the native GPIO connector safely and how to access them using simple Bash scripts As you dive further in you ll learn how to build an input output expansion board using the I2C interface and power supply allowing the connection of the large number of sensors needed for a typical home security setup In the later chapters of the book we ll look at more sophisticated topics such as adding cameras remotely accessing the system using your mobile phone receiving intrusion alerts and images by e mail and more By the end of the book you will be well versed with the use of Raspberry Pi to power a home based security system that sends message alerts whenever it is triggered and will be able to build a truly sophisticated and modular home security system You will also gain a good understanding of Raspberry Pi s ecosystem and be able to write the functions required for a security system Style and approach This easy to follow guide comprises a series of projects where every chapter introduces a new concept and at the end of the book all these concepts are brought together to create an entire home security system This book features clear diagrams and code every step of the way *Arduino Project Handbook* Mark Geddes,2016-06-01

*Arduino Project Handbook* is a beginner friendly collection of electronics projects using the low cost Arduino board With just a handful of components an Arduino and a computer you ll learn to build and program everything from light shows to arcade games to an ultrasonic security system First you ll get set up with an introduction to the Arduino and valuable advice on tools and components Then you can work through the book in order or just jump to projects that catch your eye Each project includes simple instructions colorful photos and circuit diagrams and all necessary code *Arduino Project Handbook* is a fast and fun way to get started with micro controllers that s perfect for beginners hobbyists parents and educators Uses the Arduino Uno board

**Build Your Own Home Security System** Delton T. Horn,1993 Packed with the hands on instruction needed to construct and install dozens of practical inexpensive electronic security devices For each project a helpful schematic is included plus a list of the circuits and components required *Lightning Print on Demand Title Copyright Libri GmbH All rights reserved* [The Alarm, Sensor & Security Circuit Cookbook](#) Thomas Petruzzellis,1994 This text is aimed at technicians hobbyists and students and provides complete circuit diagrams and building instructions for a wide range of creative sleuthing applications The designs are fully tested and proven effective in real world alarm sensor and security equipment

**Locksmithing and Electronic Security Wiring Diagrams** John L. Schum,2002-04-12 Publisher s Note Products purchased from Third Party sellers are not guaranteed by the publisher for quality authenticity or access to any online entitlements included with the product **THE COMPLETE GUIDE TO DESIGNING DRAWING AND USING SECURITY WIRING DIAGRAMS** Clear expert hands on guidance covering everything from drawing basics to understanding and designing electrical security system wiring diagrams is packed in this resource Written by an author with over two decades in the field *Locksmithing and Electronic Security Wiring Diagrams* gives you everything you need to Create wiring diagrams

Improve your troubleshooting skills Select design components Read and analyze wiring diagrams like a pro Invaluable to professional locksmiths and security engineers designers technicians teachers and students this book is your best shortcut to a complete understanding of electronic security wiring diagrams FEATURES The perfect tutorial for learning how to understand electronic security wiring diagrams Complete illustrated coverage of drawing basics including equipment selection and system design Step by step wiring system design instruction from an industry expert Everything you need to know about relay controls junction boxes and fire panel interfaces Discussion of power requirements and flow Valuable questions tests and practical exercises to sharpen your skills Symbols and abbreviations explained     **Alarms** Charles D. Rakes,1988     **Introductory DC/AC Circuits** Nigel P. Cook,2005 B This time honored book now in its sixth edition improves on its charter to offer comprehensive and current coverage of DC AC electronics and Semiconductor Devices and Circuits along with all prerequisite mathematics in a learner friendly easily accessible format The presentation includes many chapter opening and margin timelines component type tables circuit analysis tables protoboard pictorials extensive testing and troubleshooting and much more For electrical engineers and computer technicians     **Electronics World** ,2016

**Biomedical Instrumentation: Technology and Applications** R. S. Khandpur,2004-11-26 One of the most comprehensive books in the field this import from TATA McGraw Hill rigorously covers the latest developments in medical imaging systems gamma camera PET camera SPECT camera and lithotripsy technology Written for working engineers technicians and graduate students the book includes of hundreds of images as well as detailed working instructions for the newest and more popular instruments used by biomedical engineers today     Physical Security Shari Mendelson Gallery,1986     Understanding Security Electronics John Edward Cunningham,Joseph J. Carr,1986     **Modern Electronics** ,1991     **Design and Application of Security/fire-alarm Systems** John E. Traister,1981

**Radio-electronics** ,1984     **The Best of Ciarcia's Circuit Cellar** Steve Ciarcia,1992     *Ciarcia's Circuit Cellar* Steve Ciarcia,1979     **Home Security** Charles Dunne,1975     Advances in Security Technology Romine R. Deming,1987

Introductory DC/AC Electronics Nigel P. Cook,2005 This time honored book now in its sixth edition improves on its charter to offer comprehensive and current coverage of DC AC electronics and Semiconductor Devices and Circuits along with all prerequisite mathematics in a learner friendly easily accessible format The presentation includes many historical vignettes and margin timelines mini math review sections circuit simulation icons and circuit analysis tables and much more For electrical engineers and computer technicians

Embark on a breathtaking journey through nature and adventure with is mesmerizing ebook, Natureis Adventure: **Motion Sensor Alarm Circuit Diagram** . This immersive experience, available for download in a PDF format ( \*), transports you to the heart of natural marvels and thrilling escapades. Download now and let the adventure begin!

[https://splashdogs.com/results/publication/index.jsp/Introduction\\_To\\_Management\\_Science\\_10th\\_Edition\\_Solutions\\_Manual.pdf](https://splashdogs.com/results/publication/index.jsp/Introduction_To_Management_Science_10th_Edition_Solutions_Manual.pdf)

## **Table of Contents Motion Sensor Alarm Circuit Diagram**

1. Understanding the eBook Motion Sensor Alarm Circuit Diagram
  - The Rise of Digital Reading Motion Sensor Alarm Circuit Diagram
  - Advantages of eBooks Over Traditional Books
2. Identifying Motion Sensor Alarm Circuit Diagram
  - Exploring Different Genres
  - Considering Fiction vs. Non-Fiction
  - Determining Your Reading Goals
3. Choosing the Right eBook Platform
  - Popular eBook Platforms
  - Features to Look for in an Motion Sensor Alarm Circuit Diagram
  - User-Friendly Interface
4. Exploring eBook Recommendations from Motion Sensor Alarm Circuit Diagram
  - Personalized Recommendations
  - Motion Sensor Alarm Circuit Diagram User Reviews and Ratings
  - Motion Sensor Alarm Circuit Diagram and Bestseller Lists
5. Accessing Motion Sensor Alarm Circuit Diagram Free and Paid eBooks
  - Motion Sensor Alarm Circuit Diagram Public Domain eBooks
  - Motion Sensor Alarm Circuit Diagram eBook Subscription Services
  - Motion Sensor Alarm Circuit Diagram Budget-Friendly Options

6. Navigating Motion Sensor Alarm Circuit Diagram eBook Formats
  - ePub, PDF, MOBI, and More
  - Motion Sensor Alarm Circuit Diagram Compatibility with Devices
  - Motion Sensor Alarm Circuit Diagram Enhanced eBook Features
7. Enhancing Your Reading Experience
  - Adjustable Fonts and Text Sizes of Motion Sensor Alarm Circuit Diagram
  - Highlighting and Note-Taking Motion Sensor Alarm Circuit Diagram
  - Interactive Elements Motion Sensor Alarm Circuit Diagram
8. Staying Engaged with Motion Sensor Alarm Circuit Diagram
  - Joining Online Reading Communities
  - Participating in Virtual Book Clubs
  - Following Authors and Publishers Motion Sensor Alarm Circuit Diagram
9. Balancing eBooks and Physical Books Motion Sensor Alarm Circuit Diagram
  - Benefits of a Digital Library
  - Creating a Diverse Reading Collection Motion Sensor Alarm Circuit Diagram
10. Overcoming Reading Challenges
  - Dealing with Digital Eye Strain
  - Minimizing Distractions
  - Managing Screen Time
11. Cultivating a Reading Routine Motion Sensor Alarm Circuit Diagram
  - Setting Reading Goals Motion Sensor Alarm Circuit Diagram
  - Carving Out Dedicated Reading Time
12. Sourcing Reliable Information of Motion Sensor Alarm Circuit Diagram
  - Fact-Checking eBook Content of Motion Sensor Alarm Circuit Diagram
  - Distinguishing Credible Sources
13. Promoting Lifelong Learning
  - Utilizing eBooks for Skill Development
  - Exploring Educational eBooks
14. Embracing eBook Trends
  - Integration of Multimedia Elements

- Interactive and Gamified eBooks

### **Motion Sensor Alarm Circuit Diagram Introduction**

In today's digital age, the availability of Motion Sensor Alarm Circuit Diagram books and manuals for download has revolutionized the way we access information. Gone are the days of physically flipping through pages and carrying heavy textbooks or manuals. With just a few clicks, we can now access a wealth of knowledge from the comfort of our own homes or on the go. This article will explore the advantages of Motion Sensor Alarm Circuit Diagram books and manuals for download, along with some popular platforms that offer these resources. One of the significant advantages of Motion Sensor Alarm Circuit Diagram books and manuals for download is the cost-saving aspect. Traditional books and manuals can be costly, especially if you need to purchase several of them for educational or professional purposes. By accessing Motion Sensor Alarm Circuit Diagram versions, you eliminate the need to spend money on physical copies. This not only saves you money but also reduces the environmental impact associated with book production and transportation. Furthermore, Motion Sensor Alarm Circuit Diagram books and manuals for download are incredibly convenient. With just a computer or smartphone and an internet connection, you can access a vast library of resources on any subject imaginable. Whether you're a student looking for textbooks, a professional seeking industry-specific manuals, or someone interested in self-improvement, these digital resources provide an efficient and accessible means of acquiring knowledge. Moreover, PDF books and manuals offer a range of benefits compared to other digital formats. PDF files are designed to retain their formatting regardless of the device used to open them. This ensures that the content appears exactly as intended by the author, with no loss of formatting or missing graphics. Additionally, PDF files can be easily annotated, bookmarked, and searched for specific terms, making them highly practical for studying or referencing. When it comes to accessing Motion Sensor Alarm Circuit Diagram books and manuals, several platforms offer an extensive collection of resources. One such platform is Project Gutenberg, a nonprofit organization that provides over 60,000 free eBooks. These books are primarily in the public domain, meaning they can be freely distributed and downloaded. Project Gutenberg offers a wide range of classic literature, making it an excellent resource for literature enthusiasts. Another popular platform for Motion Sensor Alarm Circuit Diagram books and manuals is Open Library. Open Library is an initiative of the Internet Archive, a non-profit organization dedicated to digitizing cultural artifacts and making them accessible to the public. Open Library hosts millions of books, including both public domain works and contemporary titles. It also allows users to borrow digital copies of certain books for a limited period, similar to a library lending system. Additionally, many universities and educational institutions have their own digital libraries that provide free access to PDF books and manuals. These libraries often offer academic texts, research papers, and technical manuals, making them invaluable resources for students and researchers. Some notable examples include MIT OpenCourseWare,



which offers free access to course materials from the Massachusetts Institute of Technology, and the Digital Public Library of America, which provides a vast collection of digitized books and historical documents. In conclusion, Motion Sensor Alarm Circuit Diagram books and manuals for download have transformed the way we access information. They provide a cost-effective and convenient means of acquiring knowledge, offering the ability to access a vast library of resources at our fingertips. With platforms like Project Gutenberg, Open Library, and various digital libraries offered by educational institutions, we have access to an ever-expanding collection of books and manuals. Whether for educational, professional, or personal purposes, these digital resources serve as valuable tools for continuous learning and self-improvement. So why not take advantage of the vast world of Motion Sensor Alarm Circuit Diagram books and manuals for download and embark on your journey of knowledge?

### **FAQs About Motion Sensor Alarm Circuit Diagram Books**

How do I know which eBook platform is the best for me? Finding the best eBook platform depends on your reading preferences and device compatibility. Research different platforms, read user reviews, and explore their features before making a choice. Are free eBooks of good quality? Yes, many reputable platforms offer high-quality free eBooks, including classics and public domain works. However, make sure to verify the source to ensure the eBook credibility. Can I read eBooks without an eReader? Absolutely! Most eBook platforms offer web-based readers or mobile apps that allow you to read eBooks on your computer, tablet, or smartphone. How do I avoid digital eye strain while reading eBooks? To prevent digital eye strain, take regular breaks, adjust the font size and background color, and ensure proper lighting while reading eBooks. What the advantage of interactive eBooks? Interactive eBooks incorporate multimedia elements, quizzes, and activities, enhancing the reader engagement and providing a more immersive learning experience. Motion Sensor Alarm Circuit Diagram is one of the best book in our library for free trial. We provide copy of Motion Sensor Alarm Circuit Diagram in digital format, so the resources that you find are reliable. There are also many Ebooks of related with Motion Sensor Alarm Circuit Diagram. Where to download Motion Sensor Alarm Circuit Diagram online for free? Are you looking for Motion Sensor Alarm Circuit Diagram PDF? This is definitely going to save you time and cash in something you should think about.

### **Find Motion Sensor Alarm Circuit Diagram :**

~~introduction to management science 10th edition solutions manual~~  
*intuit field service management youtube*

**investment banking training manual**

*inventario delle iscrizioni sudarabiche tomo 2 shaqab al manassa*

introduction to operations research solutions manual

introduction to engineering programming solving problems with

**invertor repair guide**

introduction to psychology gateways mind and behavior 12th edition

introduction to the design analysis of algorithms chapter 11

**introductory chemistry tro 4th edition solutions manual**

introduction to computer theory 2nd edition solution

**introduction to ordinary differential equations solution manual ross**

~~inverting the pyramid the history of football tactics english edition~~

introduction to nuclear engineering lamarsh solutions manual

**introduction to conic sections practice a answers**

**Motion Sensor Alarm Circuit Diagram :**

The SAGE Dictionary of Qualitative Management Research Engagingly written by specialists in each area, this dictionary will be the definitive and essential companion to established textbooks and teaching materials ... The SAGE Dictionary of Qualitative Management Research Engagingly written by specialists in each area, this dictionary will be the definitive and essential companion to established textbooks and teaching materials ... The Sage Dictionary of Qualitative Management Research by R Thorpe · 2021 · Cited by 459 — This dictionary is a companion to a complimentary title, The Dictionary of Quantitative. Management Research, edited by Luiz Moutinho and Graeme Hutcheson, that ... The SAGE Dictionary of Qualitative Management Research Engagingly written by specialists in each area, this dictionary will be the definitive and essential companion to established textbooks and teaching materials ... The SAGE Dictionary of Qualitative Management Research 'This comprehensive work extends general ideas, concepts, and techniques of qualitative research into the realm of management research. The SAGE Dictionary of Qualitative Management Research by MMC Allen · 2009 · Cited by 1 — This dictionary will not only enable researchers to further their knowledge of research perspectives with which they are already familiar, but also facilitate a ... The Sage Dictionary of Qualitative Management Research by DJ Bye · 2009 — The Dictionary is prefaced by an informative nine-page essay entitled What is Management Research? in which the editors put the book into theoretical context. The SAGE dictionary of qualitative management research With over 100 entries on key concepts and theorists, this dictionary of qualitative management research provides full coverage of the field, ... Full article: A Review of

"The Sage Dictionary of Qualitative ... by PZ McKay · 2009 — The SAGE Dictionary of Qualitative Management Research offers concise definitions and detailed explanations of words used to describe the ... The Sage Dictionary of Qualitative Management Research The Sage Dictionary of Qualitative Management Research. Bye, Dan J. Reference Reviews; Harlow Vol. 23, Iss. 5, (2009): 28-29. DOI:10.1108/09504120910969005. Paw Prints End-to-End Quilting | Machine Embroidery ... Every block is one continuous single-run line running edge to edge beginning on the left and exiting on the right. There is NO backtracking or double stitching. Rizzo's Paw Prints - Quilting Pantograph Pattern Let Rizzo's Paw Prints prance around on your quilt! Continuous line digital and paper pantograph pattern for longarm & domestic quilting machines. Continuous line paw print quilting design (2023) Continuous line paw print quilting design (2023) / dev.today.cofc.edu dev ... continuous line paw print quilting design collections that we have. This is ... 78 Continuous line machine quilting patterns ideas Apr 30, 2018 - Explore Lani Nagy's board "continuous line machine quilting patterns" on Pinterest. See more ideas ... Paw Prints. Intelligent Quilting. Paw Prints. Pet Long Arm quilting Patterns Premium Priced Pattern, Dog Face Pano Pattern. This is an edge to edge stitching pattern for our lon.. Item No.: PAP476. Paw Prints Edge to Edge Quilt Block - Embroidery Designs This design is continuous line embroidery that can be used alone or as part of an edge to edge pattern. Formats are as follows: DST, EXP, HUS, JEF, PCS, ... Paw Prints All Over My Quilts! - Pinterest Mar 8, 2015 — Our Loops patterns will look great on any style quilt! Continuous line digital and paper pantographs for longarm & domestic quilting machines. Paw Quilting Embroidery Design. Paw Print Quilt Block Continuous quilting machine embroidery design. Your purchase will include single run stitch and triple (bean) stitch quilt block embroidery design versions. Quilting Designs We search high and low to give you the best continuous line quilting design choices from visionary designers who know what you're looking ... Accessing JP Exam & Study Guides The JP exam and optional study materials (study guide and practice exam) will be available for applicants online through their "My TMB" account. Texas Medical Jurisprudence Prep | TX Jurisprudence ... Texas Medical Board Exam. The online Texas Jurisprudence Study Guide is recommended by Texas Medical Board for the Texas Medical Board Exam. All physicians ... Online JP Exam & Study Guide Online JP Exam & Study Guide. The JP exam is available for applicants with active, pending applications to take online through their My TMB account. Studying for the Texas Jurisprudence Exam - Ben White Does your book help study for the Texas Jurisprudence Exam for Speech Language Pathology Assistant Licensure? ... Is this study guide up to date for examination ... Texas Nursing Jurisprudence Exam The course, complete with training on how to locate information for further review, printable resources that will aid study and practice questions, will be ... The Texas Medical Jurisprudence Examination - A Self- ... The 14th edition of The Texas Medical Jurisprudence Examination: A Self-Study Guide is now available for purchase. In print since 1986, the guide provides ... The Texas Medical Jurisprudence Exam This is all you need. The goal of this study guide is to hit the sweet spot between concise and terse, between reasonably inclusive and needlessly thorough. Jurisprudence Examination The exam is an open-book

exam used to assess the candidate's knowledge of applicable laws governing the practice of psychology and must be taken no more than 6 ... Texas Jurisprudence Exam Flashcards Texas Jurisprudence Exam. 4.4 (58 reviews). Flashcards · Learn · Test · Match ... Texas BON study guide, BON Quiz, Jurisprudence. Teacher149 terms. Profile ... Texas Medical Jurisprudence Exam: A brief study guide An affordable, efficient resource to prepare for the Texas Medical Jurisprudence Exam, required for physician licensure in Texas.