

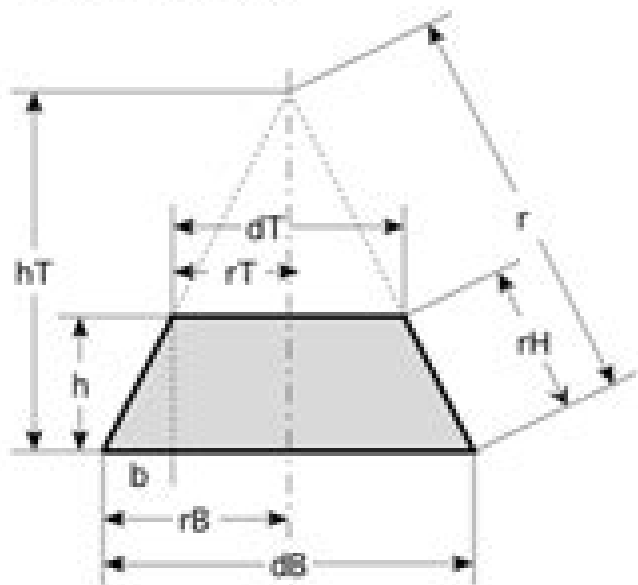
Inputs

d_B = Cone bottom diameter

d_T = Cone top diameter

h = Cone height

CONE OUTLINE



Calculated Values

h_T = Triangle height

r_H = Radius for cone height

r = Pattern outer radius

c = Cone circumference

c_T = Total pattern circumference

A = Arc angle

Formulas

$$r_B = d_B / 2 \quad r_T = d_T / 2 \quad b = r_B - r_T$$

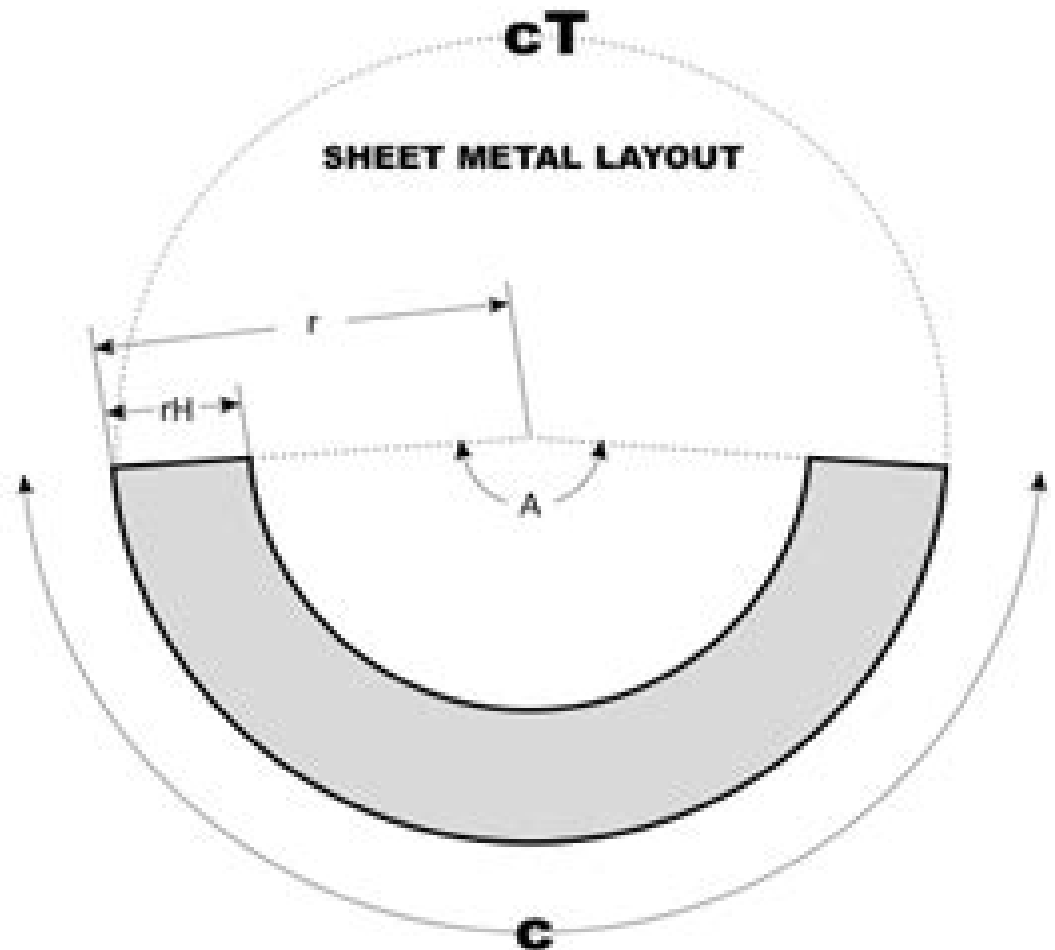
$$h_T = h * d_B / (d_B - d_T)$$

$$r_H = \text{pythagorean}(h, b) \quad r = \text{pythagorean}(h_T, r_B)$$

$$c = \text{PI} * d_B$$

$$c_T = \text{PI} * 2 * r$$

$$A = 360 * c / c_T$$



Laying Out A Frustum On Sheet Metal

George Watson Kittredge



Laying Out A Frustum On Sheet Metal:

Laying Out for Boiler Makers and Sheet Metal Workers Simmons-Boardman Publishing Corporation,1925
Laying Out for Boiler Makers and Sheet Metal Workers ,1918 Boiler Maker and Sheet Metal Worker ,1901 **The Universal Sheet Metal Pattern Cutter** William Neubecker,1924 *Sheet Metal Work, Instruction Paper ...* American School (Lansing, Ill.),1904 *Mensuration for Sheet Metal Workers* William Neubecker,1907 *A Textbook on Sheet-metal Pattern Drafting* ,1901 **Essentials of Sheet Metal Work and Pattern Drafting** James Sharkey Daugherty,1918
Sheet-metal Work William Neubecker,1909 *A Textbook on Sheet-metal Pattern Drafting* International Correspondence Schools,1901 **Practical Sheet Metal Work and Demonstrated Patterns** John Henry Teschmacher,1912 **Mathematics for Shop and Drawing Students** Harry Morton Keal,Clarence J. Leonard,1921
Electricity; sheet metal; plastering; painting American School of Correspondence, Chicago,1912 *The New Metal Worker Pattern Book* George Watson Kittredge,1896 Sheet Metal Layout Simplified: Triangulation. 1964 ed Hugh B. Reid,1958 Jewelry Concepts & Technology Oppi Untracht,2011-01-26 The definitive reference for jewelry makers of all levels of ability a complete profusely illustrated guide to design materials and techniques as well as a fascinating exploration of jewelry making throughout history Cyclopedia of Architecture: Electricity. Sheet metal. Plastering. Painting ,1913
Machinery's Encyclopedia Erik Oberg, Franklin D. Jones,1917 **Sheet Metal Layout Simplified** Hugh B. Reid,1954
Sheet Metal Workers Journal ,1913

Delve into the emotional tapestry woven by Crafted by in **Laying Out A Frustum On Sheet Metal** . This ebook, available for download in a PDF format (*), is more than just words on a page; it's a journey of connection and profound emotion. Immerse yourself in narratives that tug at your heartstrings. Download now to experience the pulse of each page and let your emotions run wild.

https://splashdogs.com/public/detail/fetch.php/Isuzu_2015_Owners_Manual.pdf

Table of Contents Laying Out A Frustum On Sheet Metal

1. Understanding the eBook Laying Out A Frustum On Sheet Metal
 - The Rise of Digital Reading Laying Out A Frustum On Sheet Metal
 - Advantages of eBooks Over Traditional Books
2. Identifying Laying Out A Frustum On Sheet Metal
 - Exploring Different Genres
 - Considering Fiction vs. Non-Fiction
 - Determining Your Reading Goals
3. Choosing the Right eBook Platform
 - Popular eBook Platforms
 - Features to Look for in an Laying Out A Frustum On Sheet Metal
 - User-Friendly Interface
4. Exploring eBook Recommendations from Laying Out A Frustum On Sheet Metal
 - Personalized Recommendations
 - Laying Out A Frustum On Sheet Metal User Reviews and Ratings
 - Laying Out A Frustum On Sheet Metal and Bestseller Lists
5. Accessing Laying Out A Frustum On Sheet Metal Free and Paid eBooks
 - Laying Out A Frustum On Sheet Metal Public Domain eBooks
 - Laying Out A Frustum On Sheet Metal eBook Subscription Services
 - Laying Out A Frustum On Sheet Metal Budget-Friendly Options

6. Navigating Laying Out A Frustum On Sheet Metal eBook Formats
 - ePub, PDF, MOBI, and More
 - Laying Out A Frustum On Sheet Metal Compatibility with Devices
 - Laying Out A Frustum On Sheet Metal Enhanced eBook Features
7. Enhancing Your Reading Experience
 - Adjustable Fonts and Text Sizes of Laying Out A Frustum On Sheet Metal
 - Highlighting and Note-Taking Laying Out A Frustum On Sheet Metal
 - Interactive Elements Laying Out A Frustum On Sheet Metal
8. Staying Engaged with Laying Out A Frustum On Sheet Metal
 - Joining Online Reading Communities
 - Participating in Virtual Book Clubs
 - Following Authors and Publishers Laying Out A Frustum On Sheet Metal
9. Balancing eBooks and Physical Books Laying Out A Frustum On Sheet Metal
 - Benefits of a Digital Library
 - Creating a Diverse Reading Collection Laying Out A Frustum On Sheet Metal
10. Overcoming Reading Challenges
 - Dealing with Digital Eye Strain
 - Minimizing Distractions
 - Managing Screen Time
11. Cultivating a Reading Routine Laying Out A Frustum On Sheet Metal
 - Setting Reading Goals Laying Out A Frustum On Sheet Metal
 - Carving Out Dedicated Reading Time
12. Sourcing Reliable Information of Laying Out A Frustum On Sheet Metal
 - Fact-Checking eBook Content of Laying Out A Frustum On Sheet Metal
 - Distinguishing Credible Sources
13. Promoting Lifelong Learning
 - Utilizing eBooks for Skill Development
 - Exploring Educational eBooks
14. Embracing eBook Trends
 - Integration of Multimedia Elements

-
- Interactive and Gamified eBooks

Laying Out A Frustum On Sheet Metal Introduction

In the digital age, access to information has become easier than ever before. The ability to download Laying Out A Frustum On Sheet Metal has revolutionized the way we consume written content. Whether you are a student looking for course material, an avid reader searching for your next favorite book, or a professional seeking research papers, the option to download Laying Out A Frustum On Sheet Metal has opened up a world of possibilities. Downloading Laying Out A Frustum On Sheet Metal provides numerous advantages over physical copies of books and documents. Firstly, it is incredibly convenient. Gone are the days of carrying around heavy textbooks or bulky folders filled with papers. With the click of a button, you can gain immediate access to valuable resources on any device. This convenience allows for efficient studying, researching, and reading on the go. Moreover, the cost-effective nature of downloading Laying Out A Frustum On Sheet Metal has democratized knowledge. Traditional books and academic journals can be expensive, making it difficult for individuals with limited financial resources to access information. By offering free PDF downloads, publishers and authors are enabling a wider audience to benefit from their work. This inclusivity promotes equal opportunities for learning and personal growth. There are numerous websites and platforms where individuals can download Laying Out A Frustum On Sheet Metal. These websites range from academic databases offering research papers and journals to online libraries with an expansive collection of books from various genres. Many authors and publishers also upload their work to specific websites, granting readers access to their content without any charge. These platforms not only provide access to existing literature but also serve as an excellent platform for undiscovered authors to share their work with the world. However, it is essential to be cautious while downloading Laying Out A Frustum On Sheet Metal. Some websites may offer pirated or illegally obtained copies of copyrighted material. Engaging in such activities not only violates copyright laws but also undermines the efforts of authors, publishers, and researchers. To ensure ethical downloading, it is advisable to utilize reputable websites that prioritize the legal distribution of content. When downloading Laying Out A Frustum On Sheet Metal, users should also consider the potential security risks associated with online platforms. Malicious actors may exploit vulnerabilities in unprotected websites to distribute malware or steal personal information. To protect themselves, individuals should ensure their devices have reliable antivirus software installed and validate the legitimacy of the websites they are downloading from. In conclusion, the ability to download Laying Out A Frustum On Sheet Metal has transformed the way we access information. With the convenience, cost-effectiveness, and accessibility it offers, free PDF downloads have become a popular choice for students, researchers, and book lovers worldwide. However, it is crucial to engage in ethical downloading practices and prioritize personal security when utilizing online platforms. By doing so, individuals can make the most of the vast array of

free PDF resources available and embark on a journey of continuous learning and intellectual growth.

FAQs About Laying Out A Frustum On Sheet Metal Books

How do I know which eBook platform is the best for me? Finding the best eBook platform depends on your reading preferences and device compatibility. Research different platforms, read user reviews, and explore their features before making a choice. Are free eBooks of good quality? Yes, many reputable platforms offer high-quality free eBooks, including classics and public domain works. However, make sure to verify the source to ensure the eBook credibility. Can I read eBooks without an eReader? Absolutely! Most eBook platforms offer web-based readers or mobile apps that allow you to read eBooks on your computer, tablet, or smartphone. How do I avoid digital eye strain while reading eBooks? To prevent digital eye strain, take regular breaks, adjust the font size and background color, and ensure proper lighting while reading eBooks. What the advantage of interactive eBooks? Interactive eBooks incorporate multimedia elements, quizzes, and activities, enhancing the reader engagement and providing a more immersive learning experience. Laying Out A Frustum On Sheet Metal is one of the best book in our library for free trial. We provide copy of Laying Out A Frustum On Sheet Metal in digital format, so the resources that you find are reliable. There are also many Ebooks of related with Laying Out A Frustum On Sheet Metal. Where to download Laying Out A Frustum On Sheet Metal online for free? Are you looking for Laying Out A Frustum On Sheet Metal PDF? This is definitely going to save you time and cash in something you should think about.

Find Laying Out A Frustum On Sheet Metal :

[isuzu 2015 owners manual](#)

[isuzu 4fb1 turbo manual](#)

isuzu 4bd1 engine workshop manual

[isizulu hl p2 2013 nov question paper](#)

[is paper 3 of literature objective or essay](#)

[isixhosa hl p2 memo](#)

iseki th4330 4290 4260 operators manual

iso ppap manual

[iso 13485 manual procedures](#)

[isizulu paper1 grade10 2014 novembar](#)

isuzu 4hk1 shop repair manual

iso 14224 20edition

istep jeopardy 5th grade

iron man vol the secret origin of tony stark

irs publication 55chapter 4

Laying Out A Frustum On Sheet Metal :

The Quest for Authentic Power: Getting Past Manipulation ... The Quest for Authentic Power: Getting Past Manipulation, Control, and Self Limiting Beliefs · Buy New. \$17.95\$17.95. FREE delivery: Thursday, Dec 21 on orders ... The Quest for Authentic Power: Getting Past Manipulation ... The Quest for Authentic Power: Getting Past Manipulation, Control, and Self Limiting Beliefs by Lawford, G Ross(June 15, 2002) Paperback · Book overview. The Quest for Authentic Power: Getting Past Manipulation ... The Quest for Authentic Power: Getting Past Manipulation, Control, and Self Limiting Beliefs by Lawford, G. Ross - ISBN 10: 1576751473 - ISBN 13: ... The Quest for Authentic Power: Getting Past Manipulation, ... May 10, 2002 — The Quest for Authentic Power: Getting Past Manipulation, Control, and Self Limiting Beliefs ... power based on authority, control, strength, and ... The Quest for Authentic Power: Getting Past Manipulation ... The author suggests that real power is gained not by egogenerated thoughts but by integrating the capabilities of the mind with the wise direction of the heart. The Quest for Authentic Power (Paperback) Drawing on psychology, theology, and business, Lawford outlines a new view of power based on authenticity and provides practical pointers for achieving your ... The Quest for Authentic Power (Getting Past Manipulation ... This book title, The Quest for Authentic Power (Getting Past Manipulation, Control, and Self-Limiting Beliefs), ISBN: 9781576751473, by G. Ross Lawford, ... The Quest for Authentic Power: Getting Past Manipulation ... May 12, 2002 — Authentic power-the power to consistently obtain what we truly desire-comes from within. Such power, the power to determine your own destiny ... The Quest for Authentic Power 1st edition 9781576751473 ... ISBN-13: 9781576751473 ; Authors: G Ross Lawford ; Full Title: The Quest for Authentic Power: Getting Past Manipulation, Control, and Self-Limiting Beliefs. The Quest for Authentic Power Getting Past Manipulation ... ISBN. 9781576751473 ; Book Title. Quest for Authentic Power : Getting Past Manipulation, Control, and Self-Limiting Beliefs ; Accurate description. 4.9. Associate Governmental Program Analyst Examination Read all of the information on each page carefully. Application materials for the Associate Governmental Program Analyst examination are accepted ONLY on the ... AGPA Exam? What's it like? : r/CASStateWorkers The agpa exam is essentially a self certification of various skills and experience. Nothing to study for, all multiple choice and directly ... AGPA Exam Bulletin Exam Posting. Logo of State of California ASSOCIATE GOVERNMENTAL PROGRAM ANALYST ... This is a Supplemental Application exam weighted - 100 percent. In order to ... Are there any good preparation

books or study resources ... Jul 3, 2018 — The Staff Services Analyst and Associate Governmental Programs Analyst tests are online tests which ask you a multitude of questions ... Associate Governmental Program Analyst ... Hundreds of questions & answers in areas likely to be covered on your upcoming exam. Each book is 8 1/2" x 11" in paperback (plastic bound) and lies flat for ... Associate Governmental Program Analyst (C-4144) The Associate Governmental Program Analyst Passbook® prepares you for your test by allowing you to take practice exams in the subjects you need to study. Associate Governmental Program Analyst (C-4144) The Associate Governmental Program Analyst Passbook® prepares you for your test by allowing you to take practice exams in the subjects you need to study. Associate Governmental Program Analyst (C-4144) The Associate Governmental Program Analyst Passbook® prepares you for your test by allowing you to take practice exams in the subjects you need to study. Associate Governmental Program Analyst : Passbooks ... The Associate Governmental Program Analyst Passbook(R) prepares you for your test by allowing you to take practice exams in the subjects you need to study. How to Get State of California AGPA Jobs This article outlines the necessary steps to get an Associated Governmental Program Analyst (AGPA) position with the State of California. Parts list Atlas Copco - Air Compressors Trade Part number - Part number: if no part number is specified, the component is not available as a spare part. A line shown in bold is an assembly. A part of ... Parts Online - Atlas Copco USA Parts Online is a user-friendly platform that allows you to quickly and easily find spare parts for Atlas Copco construction equipment. Parts list - Atlas Copco Stationary Air Compressors GA 75 VSD FF (A/W) - 400V/. 50Hz IEC - ID 245. 8102 1364 40. GA 75 VSD FF (A/W) ... Parts list. Page 34. What sets Atlas Copco apart as a company is our conviction ... Replacement Atlas Copco GA 75 spare parts list - Aida filter Replacement Atlas Copco GA 75 air compressor spare parts price, Atlas Copco GA 75 parts alternative, substitute, service kits spare parts list for GA 75. Atlas Copco Stationary Air Compressors Parts list. Ref. Part number. Qty Name. Remarks. 1010 1622 3798 81. 1. Drain assembly. 1020 0661 1000 38. 1. Seal washer. 1030 1613 8084 00. 1. Pipe coupling. Atlas Copco GA 75 Spare Parts Catalog SN: API625433 2023 ... Dec 9, 2023 — Atlas Copco GA75 Spare Parts Catalog Serial Number: API625433 -2023 Version, GA55 etc parts list latest update. Atlas Copco Ga 75 Parts Other atlas copco ga 75 parts options include motor compressor head, bearing bush, valve plate, valve plate assembly, oil pump, heater, oil return system, sight ... Atlas Copco GA 55 VSD, GA 75 VSD, GA 90 VSD Parts Full List Sep 17, 2021 — In this post, we list all the parts list for Atlas Copco air compressor models: GA 55 VSD, GA 75 VSD, GA 90 VSD. 2901086100: KIT BEARING GA75 2901086100: KIT BEARING GA75. Air Compressor Spare Parts. For price and availability - complete the ...