

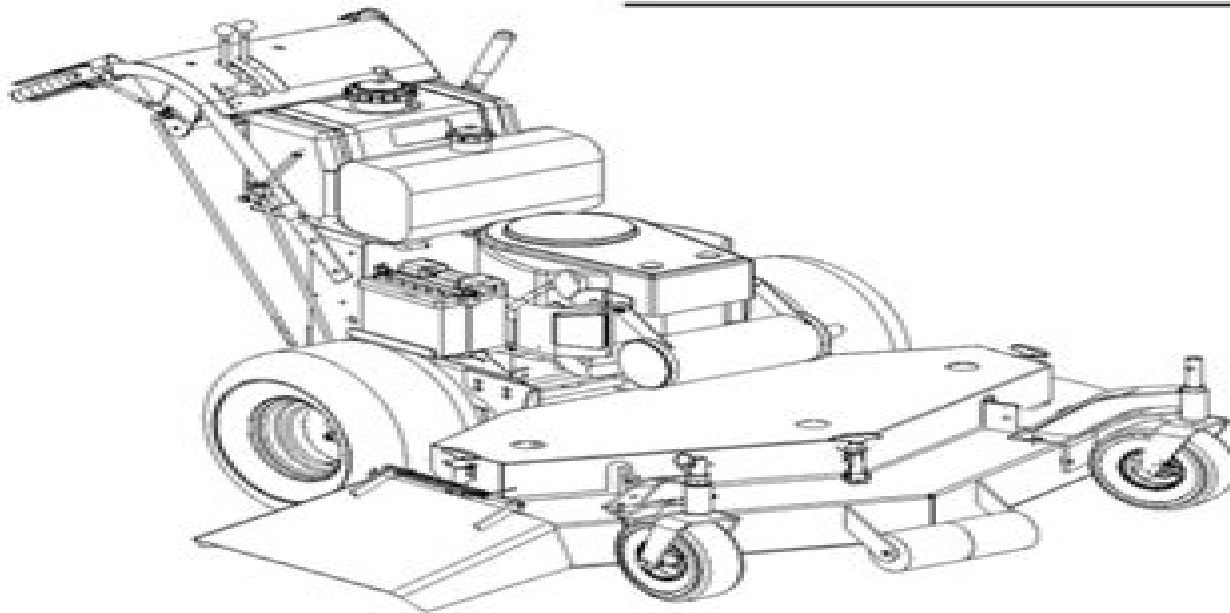


Models: 708686 / 708687 / 708688

Standard and Wide-Track (WT)

36" • 48" • 52"

HydroWalk-Behind Commercial Rotary Mowers



OPERATOR'S MANUAL

Lesco Viper Mower Parts Manual

International Harvester Company



Lesco Viper Mower Parts Manual:

Operator's Manual and Parts List; Mower, 85 White Motor Corporation, White Farm Equipment Co, Oak Brook (Ill.), Brantford (Ont.), 1980 **Service Parts Manuals, Hay and Mower Attachments** Gehl Bros. Manufacturing Company, West Bend (Wis.), *Ransomes Sprite 14-in Motor Mower* Ransomes Sims & Jefferies Limited, 19?? *Rear Attached Mower, Series 501* ,1969 **Mower, Series 515** ,1969 Turner Four-stroke Rotary Mower Spare Parts Manual Turner Manufacturing Co. Pty. Limited, 196? **Service Parts Manuals, Hay Conditioners, Mower-Conditioners** Gehl Bros. Manufacturing Company, West Bend (Wis.), **Owner's Manual, Setting Up Instructions, Parts List**
McCormick-Deering Cub-22 Mower (4 1/2-ft. Cut) for Use with Farmall Cub Tractor International Harvester Company, 1948 *Dealers Parts Catalog* Allis-Chalmers Manufacturing Company, 1958 **Victa Technical & Spare Parts Manual** ,196? **Owner's Manual Setting Up Instructions, Parts List McCormick-Deering No. 9 Mower** International Harvester Company, 1945 Owner's Manuals and Parts Lists, and Handle Assembly Directions, Lawn Mowers Johnston Lawn Mower Corporation, Ottumwa (Iowa), 1951 *Riding Lawn Mower Service Manual* ,1977

As recognized, adventure as well as experience practically lesson, amusement, as skillfully as covenant can be gotten by just checking out a book **Lesco Viper Mower Parts Manual** moreover it is not directly done, you could say you will even more regarding this life, regarding the world.

We manage to pay for you this proper as skillfully as simple showing off to get those all. We provide Lesco Viper Mower Parts Manual and numerous book collections from fictions to scientific research in any way. along with them is this Lesco Viper Mower Parts Manual that can be your partner.

https://splashdogs.com/files/book-search/Download_PDFS/Manual_De_Nokia_5310_Xpressmusic_En_Espanol.pdf

Table of Contents Lesco Viper Mower Parts Manual

1. Understanding the eBook Lesco Viper Mower Parts Manual
 - The Rise of Digital Reading Lesco Viper Mower Parts Manual
 - Advantages of eBooks Over Traditional Books
2. Identifying Lesco Viper Mower Parts Manual
 - Exploring Different Genres
 - Considering Fiction vs. Non-Fiction
 - Determining Your Reading Goals
3. Choosing the Right eBook Platform
 - Popular eBook Platforms
 - Features to Look for in an Lesco Viper Mower Parts Manual
 - User-Friendly Interface
4. Exploring eBook Recommendations from Lesco Viper Mower Parts Manual
 - Personalized Recommendations
 - Lesco Viper Mower Parts Manual User Reviews and Ratings
 - Lesco Viper Mower Parts Manual and Bestseller Lists
5. Accessing Lesco Viper Mower Parts Manual Free and Paid eBooks

- Lesco Viper Mower Parts Manual Public Domain eBooks
 - Lesco Viper Mower Parts Manual eBook Subscription Services
 - Lesco Viper Mower Parts Manual Budget-Friendly Options
6. Navigating Lesco Viper Mower Parts Manual eBook Formats
 - ePub, PDF, MOBI, and More
 - Lesco Viper Mower Parts Manual Compatibility with Devices
 - Lesco Viper Mower Parts Manual Enhanced eBook Features
 7. Enhancing Your Reading Experience
 - Adjustable Fonts and Text Sizes of Lesco Viper Mower Parts Manual
 - Highlighting and Note-Taking Lesco Viper Mower Parts Manual
 - Interactive Elements Lesco Viper Mower Parts Manual
 8. Staying Engaged with Lesco Viper Mower Parts Manual
 - Joining Online Reading Communities
 - Participating in Virtual Book Clubs
 - Following Authors and Publishers Lesco Viper Mower Parts Manual
 9. Balancing eBooks and Physical Books Lesco Viper Mower Parts Manual
 - Benefits of a Digital Library
 - Creating a Diverse Reading Collection Lesco Viper Mower Parts Manual
 10. Overcoming Reading Challenges
 - Dealing with Digital Eye Strain
 - Minimizing Distractions
 - Managing Screen Time
 11. Cultivating a Reading Routine Lesco Viper Mower Parts Manual
 - Setting Reading Goals Lesco Viper Mower Parts Manual
 - Carving Out Dedicated Reading Time
 12. Sourcing Reliable Information of Lesco Viper Mower Parts Manual
 - Fact-Checking eBook Content of Lesco Viper Mower Parts Manual
 - Distinguishing Credible Sources
 13. Promoting Lifelong Learning
 - Utilizing eBooks for Skill Development

- Exploring Educational eBooks
- 14. Embracing eBook Trends
 - Integration of Multimedia Elements
 - Interactive and Gamified eBooks

Lesco Viper Mower Parts Manual Introduction

Free PDF Books and Manuals for Download: Unlocking Knowledge at Your Fingertips In today's fast-paced digital age, obtaining valuable knowledge has become easier than ever. Thanks to the internet, a vast array of books and manuals are now available for free download in PDF format. Whether you are a student, professional, or simply an avid reader, this treasure trove of downloadable resources offers a wealth of information, conveniently accessible anytime, anywhere. The advent of online libraries and platforms dedicated to sharing knowledge has revolutionized the way we consume information. No longer confined to physical libraries or bookstores, readers can now access an extensive collection of digital books and manuals with just a few clicks. These resources, available in PDF, Microsoft Word, and PowerPoint formats, cater to a wide range of interests, including literature, technology, science, history, and much more. One notable platform where you can explore and download free Lesco Viper Mower Parts Manual PDF books and manuals is the internet's largest free library. Hosted online, this catalog compiles a vast assortment of documents, making it a veritable goldmine of knowledge. With its easy-to-use website interface and customizable PDF generator, this platform offers a user-friendly experience, allowing individuals to effortlessly navigate and access the information they seek. The availability of free PDF books and manuals on this platform demonstrates its commitment to democratizing education and empowering individuals with the tools needed to succeed in their chosen fields. It allows anyone, regardless of their background or financial limitations, to expand their horizons and gain insights from experts in various disciplines. One of the most significant advantages of downloading PDF books and manuals lies in their portability. Unlike physical copies, digital books can be stored and carried on a single device, such as a tablet or smartphone, saving valuable space and weight. This convenience makes it possible for readers to have their entire library at their fingertips, whether they are commuting, traveling, or simply enjoying a lazy afternoon at home. Additionally, digital files are easily searchable, enabling readers to locate specific information within seconds. With a few keystrokes, users can search for keywords, topics, or phrases, making research and finding relevant information a breeze. This efficiency saves time and effort, streamlining the learning process and allowing individuals to focus on extracting the information they need. Furthermore, the availability of free PDF books and manuals fosters a culture of continuous learning. By removing financial barriers, more people can access educational resources and pursue lifelong learning, contributing to personal growth and professional development. This democratization of knowledge promotes intellectual curiosity and

empowers individuals to become lifelong learners, promoting progress and innovation in various fields. It is worth noting that while accessing free Lesco Viper Mower Parts Manual PDF books and manuals is convenient and cost-effective, it is vital to respect copyright laws and intellectual property rights. Platforms offering free downloads often operate within legal boundaries, ensuring that the materials they provide are either in the public domain or authorized for distribution. By adhering to copyright laws, users can enjoy the benefits of free access to knowledge while supporting the authors and publishers who make these resources available. In conclusion, the availability of Lesco Viper Mower Parts Manual free PDF books and manuals for download has revolutionized the way we access and consume knowledge. With just a few clicks, individuals can explore a vast collection of resources across different disciplines, all free of charge. This accessibility empowers individuals to become lifelong learners, contributing to personal growth, professional development, and the advancement of society as a whole. So why not unlock a world of knowledge today? Start exploring the vast sea of free PDF books and manuals waiting to be discovered right at your fingertips.

FAQs About Lesco Viper Mower Parts Manual Books

How do I know which eBook platform is the best for me? Finding the best eBook platform depends on your reading preferences and device compatibility. Research different platforms, read user reviews, and explore their features before making a choice. Are free eBooks of good quality? Yes, many reputable platforms offer high-quality free eBooks, including classics and public domain works. However, make sure to verify the source to ensure the eBook credibility. Can I read eBooks without an eReader? Absolutely! Most eBook platforms offer webbased readers or mobile apps that allow you to read eBooks on your computer, tablet, or smartphone. How do I avoid digital eye strain while reading eBooks? To prevent digital eye strain, take regular breaks, adjust the font size and background color, and ensure proper lighting while reading eBooks. What the advantage of interactive eBooks? Interactive eBooks incorporate multimedia elements, quizzes, and activities, enhancing the reader engagement and providing a more immersive learning experience. Lesco Viper Mower Parts Manual is one of the best book in our library for free trial. We provide copy of Lesco Viper Mower Parts Manual in digital format, so the resources that you find are reliable. There are also many Ebooks of related with Lesco Viper Mower Parts Manual. Where to download Lesco Viper Mower Parts Manual online for free? Are you looking for Lesco Viper Mower Parts Manual PDF? This is definitely going to save you time and cash in something you should think about. If you trying to find then search around for online. Without a doubt there are numerous these available and many of them have the freedom. However without doubt you receive whatever you purchase. An alternate way to get ideas is always to check another Lesco Viper Mower Parts Manual. This method for see exactly what may be included and adopt these ideas to your book. This site will almost certainly help you

save time and effort, money and stress. If you are looking for free books then you really should consider finding to assist you try this. Several of Lesco Viper Mower Parts Manual are for sale to free while some are payable. If you arent sure if the books you would like to download works with for usage along with your computer, it is possible to download free trials. The free guides make it easy for someone to free access online library for download books to your device. You can get free download on free trial for lots of books categories. Our library is the biggest of these that have literally hundreds of thousands of different products categories represented. You will also see that there are specific sites catered to different product types or categories, brands or niches related with Lesco Viper Mower Parts Manual. So depending on what exactly you are searching, you will be able to choose e books to suit your own need. Need to access completely for Campbell Biology Seventh Edition book? Access Ebook without any digging. And by having access to our ebook online or by storing it on your computer, you have convenient answers with Lesco Viper Mower Parts Manual To get started finding Lesco Viper Mower Parts Manual, you are right to find our website which has a comprehensive collection of books online. Our library is the biggest of these that have literally hundreds of thousands of different products represented. You will also see that there are specific sites catered to different categories or niches related with Lesco Viper Mower Parts Manual So depending on what exactly you are searching, you will be able to choose ebook to suit your own need. Thank you for reading Lesco Viper Mower Parts Manual. Maybe you have knowledge that, people have search numerous times for their favorite readings like this Lesco Viper Mower Parts Manual, but end up in harmful downloads. Rather than reading a good book with a cup of coffee in the afternoon, instead they juggled with some harmful bugs inside their laptop. Lesco Viper Mower Parts Manual is available in our book collection an online access to it is set as public so you can download it instantly. Our digital library spans in multiple locations, allowing you to get the most less latency time to download any of our books like this one. Merely said, Lesco Viper Mower Parts Manual is universally compatible with any devices to read.

Find Lesco Viper Mower Parts Manual :

[manual de nokia 5310 xpressmusic en espanol](#)

[manual de marca coca cola](#)

[manual delphi 7](#)

[manual de instrucciones volkswagen tiguan](#)

[manual de instrucciones canon eos 600d](#)

[manual de usuario nokia asha 311](#)

[manual de blackberry curve 8900 en espanol](#)

[manual derbi mulhacen 125](#)

manual de motorola titanium

manual de ford focus 2006

manual de instrucciones ps3

manual de lg l3

manual de ford fiesta 2001

manual de renault 5

manual de telecomunicaciones

Lesco Viper Mower Parts Manual :

international student handbook 2016 international download - Nov 29 2022

web international student handbook 2016 international a transdisciplinary approach to international teaching assistants the study skills handbook journal of international students 2016 vol 6 1 the ultimate guide to college transfer global perspectives on recruiting international students journal of international students 2016 vol 6 4 the

2016 international student handbook by jessica leggett issuu - Jun 05 2023

web aug 4 2016 read 2016 international student handbook by jessica leggett on issuu and browse thousands of other publications on our platform start here

international student handbook 2016 international copy - Apr 22 2022

web journal of international students 2016 vol 6 4 handbook of research on practices for advancing diversity and inclusion in higher education understanding the international student experience

ucd international student handbook 2015 2016 issuu - Sep 27 2022

web jul 9 2015 ucd international student handbook 2015 2016 university college dublin ireland& amp x20ac amp x2122 s global university welcome it is a great pleasure to welcome you to university college

international student handbook 2016 international student - Mar 02 2023

web abebooks com international student handbook 2016 international student handbook 9781457304279 by the college board and a great selection of similar new used and collectible books available now at great prices

international student handbook 2016 international student handbook - Aug 07 2023

web jul 21 2015 international student handbook 2016 international student handbook the college board on amazon com free shipping on qualifying offers international student handbook 2016 international student handbook

isc handbook for international students en october 2021 pdf - Jul 26 2022

web costi 2301 keele street unit 102 toronto on m6n 3z9 1 844 871 4567 isc costi org

international student handbook fbu edu tr - May 04 2023

web international student handbook 1 2023 2024 a handbook for international students at fenerbahçe university

international student handbook 2 note this document is prepared precisely for the international students at fenerbahçe university for suggestions please contact the

international student handbook 2016 2017 by office of global - Aug 27 2022

web this handbook serves as a guide to participation in the intensive english program as an international student it is an introduction to the basic aspects of living and studying at sacred heart university shu academics housing the city anticipated social behavior personal safety and more international student handbook 2016 2017

ucd international student handbook 2016 issuu - May 24 2022

web jun 22 2016 ucd international student handbook 2016 2017 university college dublin irelandâ amp x20ac amp x2122 s global university

student handbook 2016 international university of - Oct 09 2023

web student visa service every international student must hold a valid visa in order to be enrolled at the university of auckland you can apply for your student visa at the international student information centre monday to friday 9am 2pm all student visa applications must be submitted at least one week prior to the expiry

İstanbul Üniversitesi yabancı diller yüksekokulu - Mar 22 2022

web nov 4 2020 yabancı dil hazırlık dersİ kitapları yüksekokulumuzda 2020 2021 akademik yılında kullanılan yabancı dil hazırlık ders kitaplarını yetkili yayınevinden temin etmek isteyen öğrencilerimiz aşağıdaki linki inceleyebilirler metropolkitabevi com istanbul universitesi

international student handbook researchgate - Apr 03 2023

web jul 1 2016 the 29th edition of international student handbook published by the college board 2015 is the most recent guide for prospective international students interested in postsecondary education in

international student handbook 2016 international - Jun 24 2022

web international handbook of student experience in elementary and secondary school young adult development at the school to work transition international student mobility and access to higher education

international student handbook 2016 17 royal holloway - Feb 01 2023

web international student handbook 2016 17 welcome hello welcome to royal holloway university of london we are very pleased that you have chosen to study with us studying international student advisor in009 international building monica kumwenda royalholloway ac uk 01784 276168

international student handbook osa gse harvard edu - Oct 29 2022

web international student handbook in an effort to ensure the most successful and productive experience for new international students a dedicated and thoughtful group of 2017 hgse international student alumni committed themselves to providing resources and information to incoming students

[international student handbook 2016 for students seeking to](#) - Sep 08 2023

web this guide covers financial aid test of english as a foreign language toefl requirements housing availability and special services for international students it includes step by step guidelines on how to prepare

viu international student handbook 2016 2017 issuu - Jul 06 2023

web aug 15 2016 viu international student handbook 2016 2017 by viu faculty of international education issuu read viu international student handbook 2016 2017 by viu faculty of international

master of international relations mc ir course structure - Feb 18 2022

web nov 11 2023 exception students admitted to 50 point programs may apply to take ling90002 presenting academic discourse as an external subject please note that advanced standing contributes to a student s remaining points undertaken at university of melbourne and may affect how many points the student can undertake outside the

international student handbook 2016 university of new england - Dec 31 2022

web as an international student you must attend both the international orientation as well as the university orientation attendance at all sessions of international orientation is compulsory in order to complete your enrolment you will not officially be registered as a student at une if you do not enrol in your selected units

[charter of the united nations united nations ilibrary](#) - Oct 05 2022

web charter of the united nations to save succeeding generations from the scourge of war which twice in our lifetime has brought untold sorrow to mankind and to reaffirm faith in fundamental human rights in the dignity and worth of the human person in the equal rights of men and women and of nations large and small and to establish conditions

basic facts the charter of the united nations permanent - Sep 04 2022

web nov 5 2019 tuesday 5 november 2019 worldwide department of global communications dgc the charter of the united nations is the constitutive instrument of the un setting out the rights and obligations of member states and establishing its principal organs and procedures

chapter vi article 36 charter of the united nations - Mar 30 2022

web aug 23 2016 this is the website of the repertory of practice of united nations organs legal publications of the codification division of the office of legal affairs charter of the united nations chapter i purposes and principles article 1 article 2 chapter ii membership article 3 general rule be referred by the parties to the

untc united nations - Apr 30 2022

web chapter i charter of the united nations and statute of the international court of justice 1 charter of the united nations deposited in the archives of the government of the united states of america san francisco 26 june 1945 1

[statute of the international court of justice united nations](#) - Dec 27 2021

web the international court of justice established by the charter of the united nations as the principal judicial organ of the united nations shall be constituted and shall function in

chapter i charter of the united nations and statute of the - Apr 11 2023

web charter of the united nations and statute of the international court of justice 1 charter of the united nations san francisco 26 june 1945 entry into force 24 october 1945 in accordance with article 110 1 2 3 4 5 6 status parties 49 text in arabic in chinese in english in french in russian in

charter of the united nations - Jul 14 2023

web charter of the united nations and statute of the international court of justice san francisco 1945 charter of the united nations we the peoples of the united nations determined

[untc united nations](#) - Aug 03 2022

web charter of the united nations and statute of the international court of justice 2 chapter ii pacific settlement of international disputes 3 chapter iii privileges and immunities diplomatic and consular relations etc 4 chapter iv human rights 5 chapter v refugees and stateless persons 6 chapter vi narcotic drugs and

united nations charter full text united nations - Aug 15 2023

web preamble we the peoples of the united nations determined to save succeeding generations from the scourge of war which twice in our lifetime has brought untold sorrow to mankind and to reaffirm

[un charter united nations](#) ██████████ ████████ - Nov 06 2022

web un charter the un charter is the constitutive instrument of the united nations signed on 26 june 1945 it sets out the rights and obligations of member states and establishes the principal

[chapter i purposes and principles articles 1 2 united nations](#) - Jan 08 2023

web article 1 the purposes of the united nations are to maintain international peace and security and to that end to take effective collective measures for the prevention and removal of threats

[charter of the united nations and statute of the international](#) - Mar 10 2023

web the charter of the united nations was signed on 26 june 1945 in san francisco at the conclusion of the united nations conference on international organization and came into force on 24 october 1945 the statute of the international court of

[un charter united nations](#) ██████████ ████████ - May 12 2023

web the charter of the united nations is the founding document of the united nations it was signed on 26 june 1945 in san

francisco at the conclusion of the united nations conference on

untc united nations - Jan 28 2022

web statute of the international court of justice deposited in the archives of the government of the united states of america amendment to article 61 of the charter of the united nations adopted by the general assembly of the united nations in resolution 2847 xxvi of 20 december 1971 i 5 c ii 1 revised general act for the pacific

charter of the united nations 1945 research guide - Dec 07 2022

web jul 18 2023 the charter of the united nations is the founding document of the united nations and a multilateral treaty it was signed on 26 june 1945 in san francisco at the conclusion of the united nations conference on international organization and came into force on 24 october 1945

basic documents international court of justice - Feb 26 2022

web the charter of the united nations which was signed in san francisco on 26 june 1945 is the foundational treaty of the united nations it is also the constitutive text of the international court of justice which was created by the charter

charter of the united nations - Feb 09 2023

web the united nations is taking preventive or enforcement action 6 th organization shall ensure that the states which are not members of the united nations act in accordance with these principles so far as may be necessary for the maintenance of international peace and security 7 nothing contained in the present charter

charter of the united nations and statute of the international - Jun 13 2023

web the charter of the united nations was signed in 1945 by 51 countries representing all continents paving the way for the creation of the united nations on 24 october 1945 the statute of the international court of justice forms part of the charter

charter of the united nations wikipedia - Jul 02 2022

web the charter entered into force on 24 october 1945 following ratification by the five permanent members of the united nations security council china france the soviet union the united kingdom and the united states and a majority of the other signatories this is considered the official starting date of the united nations with the first

refworld charter of the united nations - Jun 01 2022

web united nations charter of the united nations 24 october 1945 1 unts xvi available at refworld org docid 3ae6b3930 html accessed 7 september 2023 the charter was signed at san francisco on 26 june 1945

mi hermana vive sobre la repisa de la - Aug 14 2023

web jan 31 2019 resumen y sinopsis de mi hermana vive sobre la repisa de la chimenea de annabel pitcher poco antes de cumplir diez años el pequeño jamie se va a vivir al

mi hermana vive sobre la repisa de la chimenea paperback - Dec 06 2022

web mar 15 2011 su hermano jamie de diez años no ha podido llorar todavía aunque sabe que debería hacerlo porque toda su familia lo hizo las cosas no van nada bien desde

mi hermana vive sobre la repisa de la chimenea google books - Jan 07 2023

web mi hermana vive sobre la repisa de la chimenea está escrita con el corazón y con el coraje de alguien que ha sabido sacar lo más brillante de la situación más oscura con

mi hermana vive sobre la repisa de la chimenea - Jul 13 2023

web revisado en españa el 16 de agosto de 2015 compra verificada jamie es un niño de diez años y narra con inocencia y autenticidad la historia de su vida su familia el colegio

mi hermana vive sobre la repisa de la chimenea - Mar 09 2023

web mar 15 2011 mi hermana vive sobre la repisa de la chimenea esta historia de la lucha de un niño por recuperar a su familia desgarrada y conmueve pero está también llena de

mi hermana vive sobre la repisa de la chimenea libro ecured - Oct 24 2021

mi hermana vive sobre la repisa de la chimenea de annabel - Mar 29 2022

web mi hermana vive sobre la repisa de la chimenea es una novela narrada en primera persona por un niño de diez años llamado jamie al comienzo de la historia acaba de

[mi hermana vive sobre la repisa de la chimenea archive org](#) - Apr 10 2023

web mi hermana vive sobre la repisa de la chimenea narra la historia de jamie un niño de diez años que desde su perspectiva ingenua nos narra el deterioro que ha sufrido su

mi hermana vive sobre la repisa de la chimenea - May 11 2023

web el impactante debut de annabel pitcher narra en la voz de jamie un niño de diez años la historia de una tragedia que destroza a una familia despues de un ataque terrorista y

mi hermana vive sobre la repisa de la chimenea acepresa - Jan 27 2022

web mi hermana vive sobre la repisa de la chimenea novela escrita por annabel pitcher logrando a través de los ojos de un niño puedan verse con humor cosas tan

mi hermana vive sobre la repisa de la chimenea apple books - Oct 04 2022

web simplemente genial revisado en españa el 16 de agosto de 2015 compra verificada jamie es un niño de diez años y narra con inocencia y autenticidad la historia de su

mi hermana vive sobre la repisa de la chimenea formato - Jul 01 2022

web nov 22 2011 el padre las cenizas de rose que aún reposan sobre la repisa de la chimenea y para ayudar a su hijo en su

dolor por la pérdida de su gato ambos

[mi hermana vive sobre la repisa de la chimenea club del lector](#) - Feb 08 2023

web jan 1 2014 jamie es un niño de diez años y narra con inocencia y autenticidad la historia de su vida su familia el colegio cuatro años después de que un atentado terrorista

mi hermana vive sobre la repisa de la chimenea - Sep 22 2021

mi hermana vive sobre la repisa de la chimenea - Nov 05 2022

web mi hermana vive sobre la repisa de la chimenea annabel pitcher traducido por lola diez colección nuevos tiempos 192 isbn 978 84 9841 544 5 código de almacén 7521192

mi hermana vive sobre la repisa de la chimenea - Apr 29 2022

web reseña de mi hermana vive sobre la repisa de la chimenea de annabel pitcher un libro de la editorial un niño inglés que perdió una hermana en atentado terrorista

annabel pitcher mi hermana vive sobre la repisa de la - Nov 24 2021

[mi hermana vive sobre la repisa de la chimenea quelibroleo](#) - Feb 25 2022

web annabel pitcher mi hermana vive sobre la repisa de la chimenea pdf google drive

reseña mi hermana vive sobre la repisa de la chimenea de - Dec 26 2021

web jun 26 2011 annabel pitcher mi hermana vive sobre la repisa de la chimenea ed siruela madrid 2011 con la misma frase que da título al libro se inicia esta novela y

mi hermana vive sobre la repisa de la chimenea best seller - Jun 12 2023

web mi hermana vive sobre la repisa de la chimenea item preview remove circle share or embed this item share to twitter share to facebook share to reddit mi hermana

mi hermana vive sobre la repisa de la - Sep 03 2022

web narra una tragedia resumida parecería que uno leerá un drama de dimensiones enormes pero al avanzar en la lectura uno descubre que es una historia de amor solidaridad

[mi hermana vive sobre la repisa de la chimenea pitcher](#) - May 31 2022

web mi hermana rose vive sobre la repisa de la chime nea bueno al menos parte de ella tres de sus dedos su codo derecho y su rótula están enterrados en una tumba en

mi hermana vive sobre la repisa de la chimenea siruela - Aug 02 2022

web jun 24 2020 leolo el domador de palabras argumento autor es esta historia de la lucha de un niño por recuperar a su

familia desgarrar y conmueve pero está también