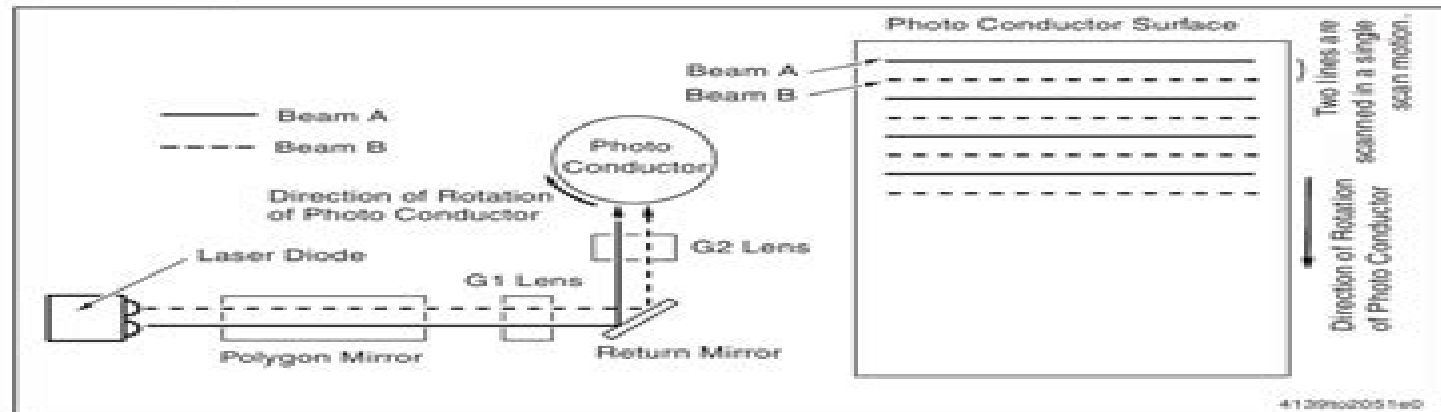


8.2 Operation

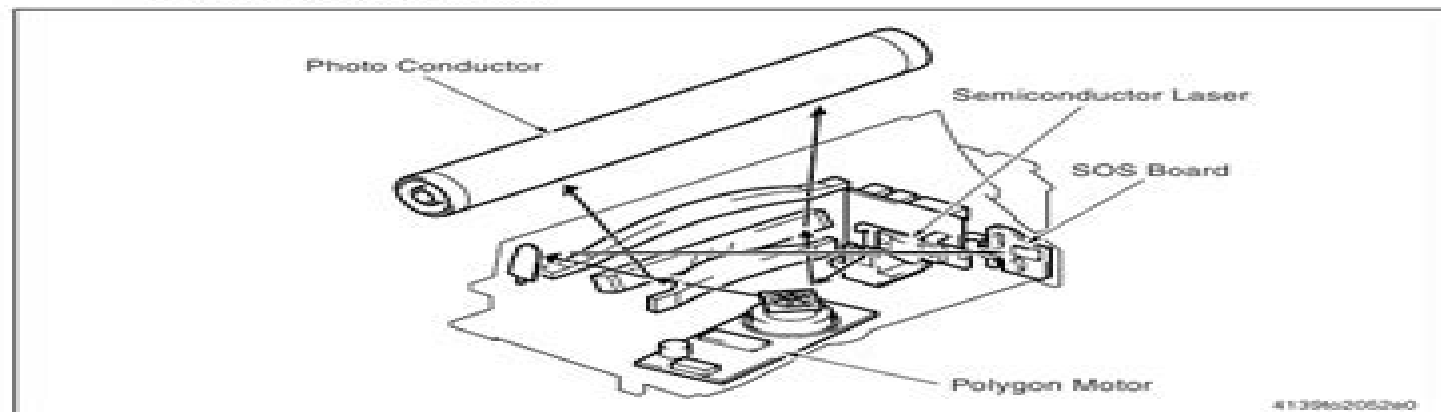
8.2.1 Outline

- The surface of the photo conductor is irradiated with a laser light and an electrostatic latent image is thereby formed.
- The polygon mirror has four faces. The machine uses a two-beam array LD to inhibit the speed of the polygon mirror from increasing because of the decreased number of faces the polygon mirror has as compared with the conventional models.
- The two-beam array LD consists of two LD elements arranged vertically. Two lines are scanned with two laser beams emitted from these two LD elements through a single face of the polygon mirror.



8.2.2 Laser exposure process

1. The laser light emitted from the semiconductor laser strikes the polygon mirror.
2. The polygon mirror with four faces is rotated at high speeds by the polygon motor.
3. The SOS sensor ensures that the laser light emission start timing remains constant for each line of main scan.



Konica Minolta 2490mf Service Manual

Guillaume Favre



Konica Minolta 2490mf Service Manual:

Minolta SRT 101 Service Manual National Camera, Inc,
Manual Monsanto Company,

Konica Minolta ,2003

Konica Minolta ,2005

Service

Konica Minolta 2490mf Service Manual Book Review: Unveiling the Magic of Language

In an electronic digital era where connections and knowledge reign supreme, the enchanting power of language has become more apparent than ever. Its capability to stir emotions, provoke thought, and instigate transformation is actually remarkable. This extraordinary book, aptly titled "**Konica Minolta 2490mf Service Manual**," written by a very acclaimed author, immerses readers in a captivating exploration of the significance of language and its profound impact on our existence. Throughout this critique, we will delve into the book's central themes, evaluate its unique writing style, and assess its overall influence on its readership.

<https://splashdogs.com/About/detail/HomePages/fy%20b%20sc%20zoology%20uni%20pune%20question%20paper%202014.pdf>

Table of Contents Konica Minolta 2490mf Service Manual

1. Understanding the eBook Konica Minolta 2490mf Service Manual
 - The Rise of Digital Reading Konica Minolta 2490mf Service Manual
 - Advantages of eBooks Over Traditional Books
2. Identifying Konica Minolta 2490mf Service Manual
 - Exploring Different Genres
 - Considering Fiction vs. Non-Fiction
 - Determining Your Reading Goals
3. Choosing the Right eBook Platform
 - Popular eBook Platforms
 - Features to Look for in a Konica Minolta 2490mf Service Manual
 - User-Friendly Interface
4. Exploring eBook Recommendations from Konica Minolta 2490mf Service Manual
 - Personalized Recommendations
 - Konica Minolta 2490mf Service Manual User Reviews and Ratings

- Konica Minolta 2490mf Service Manual and Bestseller Lists
- 5. Accessing Konica Minolta 2490mf Service Manual Free and Paid eBooks
 - Konica Minolta 2490mf Service Manual Public Domain eBooks
 - Konica Minolta 2490mf Service Manual eBook Subscription Services
 - Konica Minolta 2490mf Service Manual Budget-Friendly Options
- 6. Navigating Konica Minolta 2490mf Service Manual eBook Formats
 - ePub, PDF, MOBI, and More
 - Konica Minolta 2490mf Service Manual Compatibility with Devices
 - Konica Minolta 2490mf Service Manual Enhanced eBook Features
- 7. Enhancing Your Reading Experience
 - Adjustable Fonts and Text Sizes of Konica Minolta 2490mf Service Manual
 - Highlighting and Note-Taking Konica Minolta 2490mf Service Manual
 - Interactive Elements Konica Minolta 2490mf Service Manual
- 8. Staying Engaged with Konica Minolta 2490mf Service Manual
 - Joining Online Reading Communities
 - Participating in Virtual Book Clubs
 - Following Authors and Publishers Konica Minolta 2490mf Service Manual
- 9. Balancing eBooks and Physical Books Konica Minolta 2490mf Service Manual
 - Benefits of a Digital Library
 - Creating a Diverse Reading Collection Konica Minolta 2490mf Service Manual
- 10. Overcoming Reading Challenges
 - Dealing with Digital Eye Strain
 - Minimizing Distractions
 - Managing Screen Time
- 11. Cultivating a Reading Routine Konica Minolta 2490mf Service Manual
 - Setting Reading Goals Konica Minolta 2490mf Service Manual
 - Carving Out Dedicated Reading Time
- 12. Sourcing Reliable Information of Konica Minolta 2490mf Service Manual
 - Fact-Checking eBook Content of Konica Minolta 2490mf Service Manual
 - Distinguishing Credible Sources

13. Promoting Lifelong Learning
 - Utilizing eBooks for Skill Development
 - Exploring Educational eBooks
14. Embracing eBook Trends
 - Integration of Multimedia Elements
 - Interactive and Gamified eBooks

Konica Minolta 2490mf Service Manual Introduction

Konica Minolta 2490mf Service Manual Offers over 60,000 free eBooks, including many classics that are in the public domain. Open Library: Provides access to over 1 million free eBooks, including classic literature and contemporary works. Konica Minolta 2490mf Service Manual Offers a vast collection of books, some of which are available for free as PDF downloads, particularly older books in the public domain. Konica Minolta 2490mf Service Manual : This website hosts a vast collection of scientific articles, books, and textbooks. While it operates in a legal gray area due to copyright issues, its a popular resource for finding various publications. Internet Archive for Konica Minolta 2490mf Service Manual : Has an extensive collection of digital content, including books, articles, videos, and more. It has a massive library of free downloadable books. Free-eBooks Konica Minolta 2490mf Service Manual Offers a diverse range of free eBooks across various genres. Konica Minolta 2490mf Service Manual Focuses mainly on educational books, textbooks, and business books. It offers free PDF downloads for educational purposes. Konica Minolta 2490mf Service Manual Provides a large selection of free eBooks in different genres, which are available for download in various formats, including PDF. Finding specific Konica Minolta 2490mf Service Manual, especially related to Konica Minolta 2490mf Service Manual, might be challenging as theyre often artistic creations rather than practical blueprints. However, you can explore the following steps to search for or create your own Online Searches: Look for websites, forums, or blogs dedicated to Konica Minolta 2490mf Service Manual, Sometimes enthusiasts share their designs or concepts in PDF format. Books and Magazines Some Konica Minolta 2490mf Service Manual books or magazines might include. Look for these in online stores or libraries. Remember that while Konica Minolta 2490mf Service Manual, sharing copyrighted material without permission is not legal. Always ensure youre either creating your own or obtaining them from legitimate sources that allow sharing and downloading. Library Check if your local library offers eBook lending services. Many libraries have digital catalogs where you can borrow Konica Minolta 2490mf Service Manual eBooks for free, including popular titles. Online Retailers: Websites like Amazon, Google Books, or Apple Books often sell eBooks. Sometimes, authors or publishers offer promotions or free periods for certain books. Authors Website Occasionally, authors provide excerpts or short stories for free on their websites. While this might not be the Konica Minolta

2490mf Service Manual full book , it can give you a taste of the authors writing style.Subscription Services Platforms like Kindle Unlimited or Scribd offer subscription-based access to a wide range of Konica Minolta 2490mf Service Manual eBooks, including some popular titles.

FAQs About Konica Minolta 2490mf Service Manual Books

How do I know which eBook platform is the best for me? Finding the best eBook platform depends on your reading preferences and device compatibility. Research different platforms, read user reviews, and explore their features before making a choice. Are free eBooks of good quality? Yes, many reputable platforms offer high-quality free eBooks, including classics and public domain works. However, make sure to verify the source to ensure the eBook credibility. Can I read eBooks without an eReader? Absolutely! Most eBook platforms offer webbased readers or mobile apps that allow you to read eBooks on your computer, tablet, or smartphone. How do I avoid digital eye strain while reading eBooks? To prevent digital eye strain, take regular breaks, adjust the font size and background color, and ensure proper lighting while reading eBooks. What the advantage of interactive eBooks? Interactive eBooks incorporate multimedia elements, quizzes, and activities, enhancing the reader engagement and providing a more immersive learning experience. Konica Minolta 2490mf Service Manual is one of the best book in our library for free trial. We provide copy of Konica Minolta 2490mf Service Manual in digital format, so the resources that you find are reliable. There are also many Ebooks of related with Konica Minolta 2490mf Service Manual. Where to download Konica Minolta 2490mf Service Manual online for free? Are you looking for Konica Minolta 2490mf Service Manual PDF? This is definitely going to save you time and cash in something you should think about. If you trying to find then search around for online. Without a doubt there are numerous these available and many of them have the freedom. However without doubt you receive whatever you purchase. An alternate way to get ideas is always to check another Konica Minolta 2490mf Service Manual. This method for see exactly what may be included and adopt these ideas to your book. This site will almost certainly help you save time and effort, money and stress. If you are looking for free books then you really should consider finding to assist you try this. Several of Konica Minolta 2490mf Service Manual are for sale to free while some are payable. If you arent sure if the books you would like to download works with for usage along with your computer, it is possible to download free trials. The free guides make it easy for someone to free access online library for download books to your device. You can get free download on free trial for lots of books categories. Our library is the biggest of these that have literally hundreds of thousands of different products categories represented. You will also see that there are specific sites catered to different product types or categories, brands or niches related with Konica Minolta 2490mf Service Manual. So depending on what exactly you are searching, you will be able to choose e books to suit your own need.

Need to access completely for Campbell Biology Seventh Edition book? Access Ebook without any digging. And by having access to our ebook online or by storing it on your computer, you have convenient answers with Konica Minolta 2490mf Service Manual To get started finding Konica Minolta 2490mf Service Manual, you are right to find our website which has a comprehensive collection of books online. Our library is the biggest of these that have literally hundreds of thousands of different products represented. You will also see that there are specific sites catered to different categories or niches related with Konica Minolta 2490mf Service Manual So depending on what exactly you are searching, you will be able to choose ebook to suit your own need. Thank you for reading Konica Minolta 2490mf Service Manual. Maybe you have knowledge that, people have search numerous times for their favorite readings like this Konica Minolta 2490mf Service Manual, but end up in harmful downloads. Rather than reading a good book with a cup of coffee in the afternoon, instead they juggled with some harmful bugs inside their laptop. Konica Minolta 2490mf Service Manual is available in our book collection an online access to it is set as public so you can download it instantly. Our digital library spans in multiple locations, allowing you to get the most less latency time to download any of our books like this one. Merely said, Konica Minolta 2490mf Service Manual is universally compatible with any devices to read.

Find Konica Minolta 2490mf Service Manual :

fy b sc zoology uni pune question paper 2014

fy b com maths paper pattern 2014

fuse box diagram for 1986 honda accord

[fusion subwoofer wiring kit](#)

fuse location class a motorhomes

gabriel's message rutter score

gabriel andral pionnier de l'hecutematologie la meacutedecine dans le sang

games of strategy solutions manual

g492 physics past papers

fz1 owners manual

[gallignani manuale 5190](#)

[gaffers and sattler furnace manual](#)

gamestop trade in price guide

fuse panel guide in 2015 outback

~~futa chem 201 syllabus~~

Konica Minolta 2490mf Service Manual :

loan closure letter format sample in word sample filled - Sep 08 2023

to the bank manager name of the bank branch address date subject closure of the car loan account respected see more

personal loan closure letter format in word fill out and sign - Sep 27 2022

web jul 20 2021 the 28th december 2021 subject closing bank loan account dear sir my name is sophie and i m writing to request that my home loan associated with loan account no 987654321 be pre closed i d like to pay off my entire loan balance in one payment so please walk me through the process of pre closing my home loan

how to write a loan foreclosure letter to the bank click to know - Oct 29 2022

web you may be required to fill a form or write a letter requesting pre closure of the personal loan account pay the pre closure amount sign the required documents if any take

loan closure letter format sample in word pdf - Oct 09 2023

to the branch manager bank name bank address date subject request letter for loan closure dear sir madam i write your name have a personal loan in my account on your mention your bank name bank i am writing this application letter to request you to close my see more

how to close personal loan follow this pre closure - Feb 01 2023

web home personal government bank and utilities letter to bank loan closure letter individual loan closure letter individual this is a loan closure letter for an individual

loan closure letter template in word doc individual docpro - Jun 05 2023

to the branch manager name of the bank branch address date day month year subject loan account close application see more

i want a sample letter requesting pre closure of a loan ask me - Nov 29 2022

web get our loan closure letter template to request personal loan closure from your bank after completing payments download your legal document online

loan closure letter how to write format and sample letters - Dec 19 2021

web step1 login to web link apply hdfcbank com digital retail assets phase2 dt homepage step 2 select

loan closure letter format sample in word pdf - Jul 26 2022

web sep 29 2022 download as pdf loan foreclosure letter samples and format if you have completed your outstanding payment of loan early or want to close a premature

personal loan pre closure charges benefits how to - Mar 02 2023

web sample loan closure letters if you are looking for sample loan closure letters you have come to the right place check out the following loan closure letter samples to

loan closure letter how to write get format samples here - May 04 2023

web i am writing this letter to request you close my personal loan bearing account no because i have paid all the emis paid full loan amount loan tenure has completed

request letter to bank for closing loan account 5 - Dec 31 2022

web jun 29 2022 1999 299 your total savings 1700 purchase now want to know more about this super coaching explore supercoaching now closing a loan account

loan closure letter format sample in word loan estimate and - May 24 2022

web foreclosure letter format and samples the loan foreclosure request letter format is pretty simple if you have all the details with you the person applying for the closure of

loan closure letter how to write format and sample - Jul 06 2023

to the branch manager bank name branch name branch address date subject application for home loan respected sir madam with due respect i beg to say that i hold see more

loan closure letter template in word doc personal loan docpro - Apr 03 2023

web so when a person pays off all the outstanding balance of their loan the loan gets closed this is called a loan closure a loan closure letter is a formal letter written to the

personal loan foreclosure request letter request letter - Jun 24 2022

web what to do visit bank with the complete set of documents as mentioned above you may be required to fill a form or write a letter requesting pre closure of the personal loan

hdfc bank personal loan closure letter 2 samples - Jan 20 2022

web the loan closure letter format should include the name and address of the borrower the loan amount rate of interest and repayment terms the date and amount of the

foreclosure letter know how to write check the samples - Aug 27 2022

web 1 0 date to the manager bank branch subject application for bank loan clearance certificate respected sir it is stated that i am holding

how to write an loan closure letter format and sample letters - Aug 07 2023

to the bank branch manager bank name bank address date subject personal home car loan closure application letter dear sir madam with due respect i your name i am writing this letter to see more

loan closure letter how to write format and sample letters - Nov 17 2021

web jul 6 2022 [loan closure letter format represent you searching for some of the best advance closure letter format sample in talk pdf if yes therefore here you will](#)

[get the free loan closure letter format sample pdf pdffiller](#) - Apr 22 2022

web jul 6 2022 then write the account closure please letter using the application samples given below submit with it some documents e g personal loan account number

loan closure in 4 simple steps hdfc bank - Mar 22 2022

web may 25 2021 to the bank manager bank name branch address date date subject foreclosure of personal loan respected

[loan closure letter format sample in word pdf form center](#) - Feb 18 2022

web i by written here letter to request you close my personalized loan bearing account no because i have paid all the imis paid full loan amount lending tenure has

madchen auf whatsapp cdn writermag com - Feb 16 2023

wie schreibe ich sie an whatsapp drücken sie auf den nach unten zeigenden pfeil erweitert sich das fenster sie können nun eine nachricht schreiben die sie gerne versenden wollen

madchen auf whatsapp 2 immer online german amazon sg - Sep 11 2022

jun 13 2023 [madchen auf whatsapp ein chat roman pdf is reachable in our digital library an online admission to it is set as public in view of that you can download it instantly our digital](#)

[madchen auf whatsapp ein chat roman pdf 2023](#) - Mar 05 2022

madchen auf whatsapp 2 immer online 3 3 you re a beginner and want to learn german in the fastest easiest and most fun way start here scroll up get this book and start speaking

madchen auf whatsapp german amazon sg books - Oct 12 2022

madchen auf whatsapp pdf is welcoming in our digital library an online entrance to it is set as public for that reason you can download it instantly our digital library saves in fused countries

mädchen auf whatsapp series by bärbel körzdörfer goodreads - May 19 2023

madchen auf whatsapp 1 madchen auf whatsapp selbstdarstellung auf instagram einfluss auf die selbstwahrnehmung und identitätsentwicklung von jugendlichen mädchen auf

auf whatsapp ein mädchen beeindrucken wikihow - Apr 18 2023

read mädchen auf whatsapp by bärbel körzdörfer available from rakuten kobo wenn ihr wissen wollt wie mädchen heute ticken dann lest dieses buch matthias schweighöfer

mädchen auf whatsapp von bärbel körzdörfer bei - Jul 21 2023

1 wähle ein gutes profilbild die wahl eines guten profilbilds ist der erste schritt um ein mädchen auf whatsapp zu

beeindrucken verwende dein bestes selfie oder ein foto von dir

madchen auf whatsapp 2 immer online pdf wp publish - May 07 2022

jun 26 2023 the declaration as without difficulty as perception of this madchen auf whatsapp pdf can be taken as capably as picked to act jugend und soziale medien nathalie von

snapchat mit einem mädchen wikihow - Nov 01 2021

madchen auf whatsapp ein chat roman pdf gestudy byu edu - Jun 08 2022

apr 26 2023 madchen auf whatsapp ein chat roman pdf this is likewise one of the factors by obtaining the soft documents of this madchen auf whatsapp ein chat roman pdf by

frauen bei whatsapp anschreiben so antwortet dein schwarm - Aug 10 2022

enter the realm of madchen auf whatsapp 2 immer online a mesmerizing literary masterpiece penned with a distinguished author guiding readers on a profound journey to

madchen auf whatsapp pdf pdf gestudy byu edu - Jul 09 2022

detail book title madchen auf whatsapp 2 immer online format pdf kindle epub language english asin 3846600717 paperback 178 pages product dimensions

mädchen auf whatsapp ein chat roman amazon de - Sep 23 2023

zwei die einfach zusammengehören Über whatsapp teilen die freundinnen fast alles miteinander ihre kleinen und großen geheimnisse ihre Ängste ihre sorgen ihr glück aber dann verliebt sich marie lin in einen typen der für sie eigentlich unerreichbar ist

mädchen auf whatsapp ebook by bärbel körzdörfer kobo com - Jan 15 2023

hello sign in account lists returns orders cart

madchen auf whatsapp german körzdörfer bärbel - Dec 14 2022

hello sign in account lists returns orders cart

wie schreibt man am besten ein mädchen auf whatsapp an ist - Nov 13 2022

jun 28 2023 mädchen über whatsapp anschreiben heißt eben den chat mit sinn verstand und vor allem mit humor anzugehen mädchen mögen es wenn du sie zum lachen bringst

madchen auf whatsapp 2 immer online nice slideshare - Apr 06 2022

gat gat v4

mädchen auf whatsapp buch bastei lübbe - Aug 22 2023

mädchen auf whatsapp series by bärbel körzdörfer 2 primary works 2 total works book 1 mädchen auf whatsapp ein chat

roman by bärbel körzdörfer 2 98 160 ratings 13
gat - Jan 03 2022

madchen auf whatsapp pdf - Feb 04 2022

snapchat mit einem mädchen es kann genauso nervenaufreibend sein einem mädchen einen snap zu senden wie es ist persönlich mit ihr zu reden der erste schritt dabei eine

mädchen auf whatsapp schreiben 7 goldene regeln - Jun 20 2023

jun 6 2018 mädchen auf whatsapp bärbel körzdörfer bastei lÜbbe jun 6 2018 juvenile fiction 244 pages wenn ihr wissen wollt wie mädchen heute ticken dann lest

madchen auf whatsapp 2 immer online full pdf - Dec 02 2021

mädchen auf whatsapp bärbel körzdörfer google books - Mar 17 2023

select the department you want to search in

school field indoor sports hall ish urban redevelopment - Dec 26 2022

web school field and indoor sports hall primary secondary schools shall share their school fields and ishs with the wider community separate and independent pedestrian access to the school field and ishs shall be provided in addition to the normal vehicular and pedestrian access for the school

ish logistics shenzhen ii ltd v cimb bank berhad - Oct 24 2022

web ish logistics shenzhen ii ltd v cimb bank berhad singapore branch hc s 313 2022 hc sum 3105 2023 note hearing schedules are subject to change at the court s discretion date 30 oct 2023 monday 2 30 pm add to calendar note this is a

ish definition usage examples dictionary com - Sep 03 2023

web ish definition used to modify or moderate something previously stated or as a vague reply to a question somewhat in a way not exactly see examples of ish used in a sentence

ish interior design holdings - Nov 24 2022

web smart design with your needs in mind our services design build building renovation view our full portfolio

pakistan opt to bowl in crucial world cup clash with new zealand - Nov 12 2021

web 04 nov 2023 12 53pm bengaluru pakistan skipper babar azam won the toss and elected to bowl in their high stakes world cup match with new zealand who welcomed back fit again captain kane

hp printer setup wi fi network hp customer support - Oct 12 2021

web connect an hp printer to a local wi fi network to wirelessly print from a personal computer smartphone or tablet

reopening of dual use scheme facilities during year end school - Apr 29 2023

web nov 18 2020 dunman high school s dhs cf and ish as well as gan eng seng primary school s gesps ish will reopen from 5 december 2020 to 27 december 2020 this is because dhs facilities will be used for the gce a level examinations which will conclude on 2 december 2020 while gesps ish is currently undergoing maintenance

ish definition and meaning collins english dictionary - Jul 01 2023

web 1 day ago 1 a suffix used to form adjectives from nouns with the sense of belonging to british danish english spanish after the manner of having the characteristics of like babyish girlish mulish addicted to inclined or tending to bookish freakish near or about fiftyish

the ish nlb gov sg - Jun 19 2022

web aug 23 2023 the ish the national archives of singapore building will be closed on 12 nov 2023 sun 9am to 5pm for the annual electrical shutdown exercise thank you for your understanding due to scheduled maintenance you may experience intermittent access from 1 nov 10pm to 2 nov 6am we apologise for the inconvenience

ish and y grammar cambridge dictionary - May 31 2023

web ish and y are not normally interchangeable ish is more common than y and y is principally used with colours though not black or white what colour tie do you think

the descriptive suffix ish wordshop vocabulary com - Jul 21 2022

web feb 29 2012 the suffix ish is flexibly used with a base word to denote somewhat somewhat prone to or somewhat like for example we have ticklish reddish blue stylish childish boyish a waspish tongue a foolish old woman a coldish wind then we have spanish irish scottish finnish danish etc these words are also typically used as

what that ish in work emails means according to a linguist - Sep 22 2022

web aug 17 2019 what your ish is communicating when we add a qualifier like ish to our emails we are giving ourselves the benefit of flexibility potentially at the expense of the other person s

i would say play ish sodhi aakash chopra on pakistan s - Jan 15 2022

web nov 4 2023 aakash chopra wants new zealand to include ish sodhi in their playing xi for their 2023 world cup clash against pakistan the two sides will lock horns at the m chinnaswamy stadium in bengaluru in

bbc learning english the english we speak ish - Jan 27 2023

web we add the suffix ish to some adjectives to mean not exactly or less than sometimes we can use ish as a word on its own usually as an answer

ish youtube - Apr 17 2022

web this is my youtube channel in case you weren t sure

