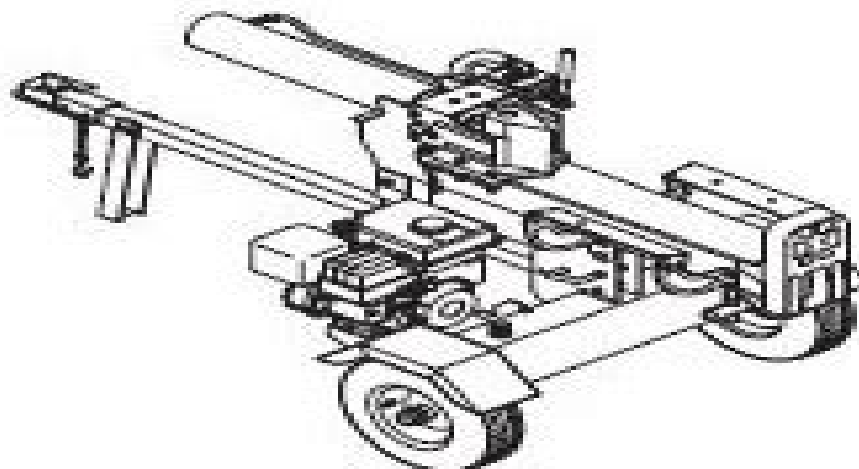


TROY-BILT®

OPERATOR'S MANUAL



LS 27 TB — Log Splitter

WARNING

**READ AND FOLLOW ALL SAFETY RULES AND INSTRUCTIONS IN THIS MANUAL
BEFORE ATTEMPTING TO OPERATE THIS MACHINE.
FAILURE TO COMPLY WITH THESE INSTRUCTIONS MAY RESULT IN PERSONAL INJURY.**

TROY-BILT LLC, P.O. BOX 361131 CLEVELAND, OHIO 44136-0019

Manual For Troy Bilt 27 Ton Log Splitter

Jicheng Xie



Manual For Troy Bilt 27 Ton Log Splitter:

Farmers and Consumers Market Bulletin ,2009

Popular Mechanics ,1975

Embracing the Track of Appearance: An Emotional Symphony within **Manual For Troy Bilt 27 Ton Log Splitter**

In a world used by displays and the ceaseless chatter of quick conversation, the melodic beauty and psychological symphony created by the published word usually fade in to the back ground, eclipsed by the relentless sound and disturbances that permeate our lives. However, situated within the pages of **Manual For Troy Bilt 27 Ton Log Splitter** a wonderful literary value overflowing with raw feelings, lies an immersive symphony waiting to be embraced. Crafted by a masterful composer of language, this charming masterpiece conducts viewers on a psychological trip, skillfully unraveling the concealed songs and profound affect resonating within each cautiously crafted phrase. Within the depths of the moving analysis, we will investigate the book's main harmonies, analyze their enthralling writing type, and submit ourselves to the profound resonance that echoes in the depths of readers' souls.

https://splashdogs.com/data/publication/index.jsp/leacutepouvanteur_tome_le_combat_de_leacutepouvanteur.pdf

Table of Contents Manual For Troy Bilt 27 Ton Log Splitter

1. Understanding the eBook Manual For Troy Bilt 27 Ton Log Splitter
 - The Rise of Digital Reading Manual For Troy Bilt 27 Ton Log Splitter
 - Advantages of eBooks Over Traditional Books
2. Identifying Manual For Troy Bilt 27 Ton Log Splitter
 - Exploring Different Genres
 - Considering Fiction vs. Non-Fiction
 - Determining Your Reading Goals
3. Choosing the Right eBook Platform
 - Popular eBook Platforms
 - Features to Look for in an Manual For Troy Bilt 27 Ton Log Splitter
 - User-Friendly Interface
4. Exploring eBook Recommendations from Manual For Troy Bilt 27 Ton Log Splitter
 - Personalized Recommendations

- Manual For Troy Bilt 27 Ton Log Splitter User Reviews and Ratings
- Manual For Troy Bilt 27 Ton Log Splitter and Bestseller Lists
- 5. Accessing Manual For Troy Bilt 27 Ton Log Splitter Free and Paid eBooks
 - Manual For Troy Bilt 27 Ton Log Splitter Public Domain eBooks
 - Manual For Troy Bilt 27 Ton Log Splitter eBook Subscription Services
 - Manual For Troy Bilt 27 Ton Log Splitter Budget-Friendly Options
- 6. Navigating Manual For Troy Bilt 27 Ton Log Splitter eBook Formats
 - ePub, PDF, MOBI, and More
 - Manual For Troy Bilt 27 Ton Log Splitter Compatibility with Devices
 - Manual For Troy Bilt 27 Ton Log Splitter Enhanced eBook Features
- 7. Enhancing Your Reading Experience
 - Adjustable Fonts and Text Sizes of Manual For Troy Bilt 27 Ton Log Splitter
 - Highlighting and Note-Taking Manual For Troy Bilt 27 Ton Log Splitter
 - Interactive Elements Manual For Troy Bilt 27 Ton Log Splitter
- 8. Staying Engaged with Manual For Troy Bilt 27 Ton Log Splitter
 - Joining Online Reading Communities
 - Participating in Virtual Book Clubs
 - Following Authors and Publishers Manual For Troy Bilt 27 Ton Log Splitter
- 9. Balancing eBooks and Physical Books Manual For Troy Bilt 27 Ton Log Splitter
 - Benefits of a Digital Library
 - Creating a Diverse Reading Collection Manual For Troy Bilt 27 Ton Log Splitter
- 10. Overcoming Reading Challenges
 - Dealing with Digital Eye Strain
 - Minimizing Distractions
 - Managing Screen Time
- 11. Cultivating a Reading Routine Manual For Troy Bilt 27 Ton Log Splitter
 - Setting Reading Goals Manual For Troy Bilt 27 Ton Log Splitter
 - Carving Out Dedicated Reading Time
- 12. Sourcing Reliable Information of Manual For Troy Bilt 27 Ton Log Splitter
 - Fact-Checking eBook Content of Manual For Troy Bilt 27 Ton Log Splitter

- Distinguishing Credible Sources
- 13. Promoting Lifelong Learning
 - Utilizing eBooks for Skill Development
 - Exploring Educational eBooks
- 14. Embracing eBook Trends
 - Integration of Multimedia Elements
 - Interactive and Gamified eBooks

Manual For Troy Bilt 27 Ton Log Splitter Introduction

In this digital age, the convenience of accessing information at our fingertips has become a necessity. Whether its research papers, eBooks, or user manuals, PDF files have become the preferred format for sharing and reading documents. However, the cost associated with purchasing PDF files can sometimes be a barrier for many individuals and organizations. Thankfully, there are numerous websites and platforms that allow users to download free PDF files legally. In this article, we will explore some of the best platforms to download free PDFs. One of the most popular platforms to download free PDF files is Project Gutenberg. This online library offers over 60,000 free eBooks that are in the public domain. From classic literature to historical documents, Project Gutenberg provides a wide range of PDF files that can be downloaded and enjoyed on various devices. The website is user-friendly and allows users to search for specific titles or browse through different categories. Another reliable platform for downloading Manual For Troy Bilt 27 Ton Log Splitter free PDF files is Open Library. With its vast collection of over 1 million eBooks, Open Library has something for every reader. The website offers a seamless experience by providing options to borrow or download PDF files. Users simply need to create a free account to access this treasure trove of knowledge. Open Library also allows users to contribute by uploading and sharing their own PDF files, making it a collaborative platform for book enthusiasts. For those interested in academic resources, there are websites dedicated to providing free PDFs of research papers and scientific articles. One such website is Academia.edu, which allows researchers and scholars to share their work with a global audience. Users can download PDF files of research papers, theses, and dissertations covering a wide range of subjects. Academia.edu also provides a platform for discussions and networking within the academic community. When it comes to downloading Manual For Troy Bilt 27 Ton Log Splitter free PDF files of magazines, brochures, and catalogs, Issuu is a popular choice. This digital publishing platform hosts a vast collection of publications from around the world. Users can search for specific titles or explore various categories and genres. Issuu offers a seamless reading experience with its user-friendly interface and allows users to download PDF files for offline reading. Apart from dedicated platforms, search engines also play a crucial role in finding free PDF files. Google, for

instance, has an advanced search feature that allows users to filter results by file type. By specifying the file type as "PDF," users can find websites that offer free PDF downloads on a specific topic. While downloading Manual For Troy Bilt 27 Ton Log Splitter free PDF files is convenient, its important to note that copyright laws must be respected. Always ensure that the PDF files you download are legally available for free. Many authors and publishers voluntarily provide free PDF versions of their work, but its essential to be cautious and verify the authenticity of the source before downloading Manual For Troy Bilt 27 Ton Log Splitter. In conclusion, the internet offers numerous platforms and websites that allow users to download free PDF files legally. Whether its classic literature, research papers, or magazines, there is something for everyone. The platforms mentioned in this article, such as Project Gutenberg, Open Library, Academia.edu, and Issuu, provide access to a vast collection of PDF files. However, users should always be cautious and verify the legality of the source before downloading Manual For Troy Bilt 27 Ton Log Splitter any PDF files. With these platforms, the world of PDF downloads is just a click away.

FAQs About Manual For Troy Bilt 27 Ton Log Splitter Books

1. Where can I buy Manual For Troy Bilt 27 Ton Log Splitter books? Bookstores: Physical bookstores like Barnes & Noble, Waterstones, and independent local stores. Online Retailers: Amazon, Book Depository, and various online bookstores offer a wide range of books in physical and digital formats.
2. What are the different book formats available? Hardcover: Sturdy and durable, usually more expensive. Paperback: Cheaper, lighter, and more portable than hardcovers. E-books: Digital books available for e-readers like Kindle or software like Apple Books, Kindle, and Google Play Books.
3. How do I choose a Manual For Troy Bilt 27 Ton Log Splitter book to read? Genres: Consider the genre you enjoy (fiction, non-fiction, mystery, sci-fi, etc.). Recommendations: Ask friends, join book clubs, or explore online reviews and recommendations. Author: If you like a particular author, you might enjoy more of their work.
4. How do I take care of Manual For Troy Bilt 27 Ton Log Splitter books? Storage: Keep them away from direct sunlight and in a dry environment. Handling: Avoid folding pages, use bookmarks, and handle them with clean hands. Cleaning: Gently dust the covers and pages occasionally.
5. Can I borrow books without buying them? Public Libraries: Local libraries offer a wide range of books for borrowing. Book Swaps: Community book exchanges or online platforms where people exchange books.
6. How can I track my reading progress or manage my book collection? Book Tracking Apps: Goodreads, LibraryThing,

and Book Catalogue are popular apps for tracking your reading progress and managing book collections. Spreadsheets: You can create your own spreadsheet to track books read, ratings, and other details.

7. What are Manual For Troy Bilt 27 Ton Log Splitter audiobooks, and where can I find them? Audiobooks: Audio recordings of books, perfect for listening while commuting or multitasking. Platforms: Audible, LibriVox, and Google Play Books offer a wide selection of audiobooks.
8. How do I support authors or the book industry? Buy Books: Purchase books from authors or independent bookstores. Reviews: Leave reviews on platforms like Goodreads or Amazon. Promotion: Share your favorite books on social media or recommend them to friends.
9. Are there book clubs or reading communities I can join? Local Clubs: Check for local book clubs in libraries or community centers. Online Communities: Platforms like Goodreads have virtual book clubs and discussion groups.
10. Can I read Manual For Troy Bilt 27 Ton Log Splitter books for free? Public Domain Books: Many classic books are available for free as they're in the public domain. Free E-books: Some websites offer free e-books legally, like Project Gutenberg or Open Library.

Find Manual For Troy Bilt 27 Ton Log Splitter :

leacutepouvanteur tome le combat de leacutepouvanteur

lead like jesus study guide

le pouvoir du bangre enquete initiatique a ouagadougou collect

le voile noir

~~le sortilegravege de la nouvelle egraveere tome~~

leader in me level 4 activity guide

le rayonnement toolbook cleacutes pour seacutelever

~~le secret de miette~~

le royaume perdu liberteacute et esclavage

leacutetincelle de lacircme sermons i agrave xxx

le policier et la serveuse de cafeacute

le yoga pour les seacuteniors

~~le principe de territorialiteacute de la propreteacute intellectuelle~~

leadership experience term papers

le voleur quantique

Manual For Troy Bilt 27 Ton Log Splitter :

introduction to leadership concepts and practice - Jun 16 2022

the fifth edition of peter g northouse s bestselling introduction to leadership concepts and practice provides readers with a clear concise overview of the complexities of practicing leadership and concrete strategies for becoming better leaders

introduction to leadership vantage learning platform - Aug 19 2022

about introduction to leadership concepts and practice fifth edition peter g northouse s bestselling introduction to leadership concepts and practice provides readers with a clear concise overview of the complexities of practicing leadership and concrete strategies for becoming better leaders the text is organized around key leader

introduction to leadership concepts and practice google books - Oct 01 2023

includes new chapter on destructive leadership the fifth edition of peter g northouse s bestselling introduction to leadership concepts and practice provides readers with a clear concise

[introduction to leadership concepts and practice pdf](#) - May 16 2022

description the fourth edition of peter g northouse s bestselling introduction to leadership concepts and practice provides readers with a clear overview of the complexities of practicing leadership and concrete strategies for becoming better leaders

introduction to leadership concepts and practice google books - Jan 24 2023

the fifth edition of peter g northouse s bestselling introduction is organized around key leader responsibilities such as creating a vision establishing a constructive climate listening to

[introduction to leadership concepts and practice amazon com](#) - Jul 30 2023

jan 14 2020 the fifth edition of peter g northouse s bestselling introduction to leadership concepts and practice provides readers with a clear concise overview of the complexities of practicing leadership and concrete strategies for becoming better leaders the text is organized around key leader responsibilities such as creating a vision

introduction to leadership concepts and practice google books - Mar 26 2023

nov 5 2019 the fifth edition of peter g northouse s best selling introduction to leadership concepts and practice provides readers with a clear concise overview of the complexities of practicing

introduction to leadership concepts and practice google books - Feb 22 2023

feb 6 2017 the fourth edition of peter g northouse s bestselling introduction to leadership concepts and practice provides readers with a clear overview of the complexities of practicing leadership and

introduction to leadership concepts and practice searchworks - Mar 14 2022

1 being a leader defining leadership global leadership attributes practicing leadership summary references 1 1
conceptualizing leadership questionnaire 1 2 observational exercise 1 3 reflection and action worksheet 2 recognizing your
traits historical leaders what traits do these leaders display

introduction to leadership concepts and practice - Apr 14 2022

new chapter on destructive leadership the fifth edition of peter g northouse s best selling introduction to leadership concepts
and practice provides readers with a clear concise overview of the complexities of practicing leadership and concrete
strategies for becoming better leaders the text is organized around key leader responsibilities such as creating a vision

introduction to leadership sage publications inc - May 28 2023

the fifth edition of peter g northouse s best selling introduction to leadership concepts and practice provides readers with a
clear concise overview of the complexities of practicing leadership and concrete strategies for becoming better leaders the
text is organized around key leader responsibilities such as creating a vision

introduction to leadership concepts and practice google books - Sep 19 2022

mar 21 2011 peter g northouse sage publications mar 21 2011 business economics 267 pages offering a straightforward
introduction to the basic principles of leadership the second edition of

introduction to leadership sage publications inc - Dec 23 2022

the sixth edition of peter g northouse s best selling introduction to leadership concepts and practice provides readers with a
clear concise overview of the complexities of practicing leadership and concrete strategies for becoming better leaders

introduction to leadership online resources sage - Oct 21 2022

offering a straightforward introduction to the basic principles of leadership peter g northouse s introduction to leadership
concepts and practice third edition provides readers with practical strategies for becoming more effective leaders in
organizational settings and in their own lives

[introduction to leadership concepts and practice online](#) - Jun 28 2023

peter g northouse s bestselling introduction to leadership concepts and practice fourth edition provides readers with a clear
overview of the complexities of practicing leadership and concrete strategies for becoming better leaders

introduction to leadership concepts and practice - Feb 10 2022

mar 28 2017 introduction to leadership concepts and practice p northouse published 28 march 2017 education preface
chapter 1 being a leader defining leadership global leadership attributes practicing leadership 1 1 conceptualizing leadership
questionnaire 1 2 observational exercise 1 3 reflection and action worksheet chapter 2

[introduction to leadership concepts and practice emerald insight](#) - Nov 21 2022

sep 25 2009 this interactive textbook provides a useful introduction to a range of leadership concepts and practices
introduction to leadership concepts and practice google books - Apr 26 2023

jan 3 2014 offering a straightforward introduction to the basic principles of leadership peter g northouse s introduction to leadership concepts and practice third edition provides readers with

introduction to leadership concepts and practice online - Aug 31 2023

welcome to the sage edge site for introduction to leadership 5e the fifth edition of peter g northouse s bestselling introduction to leadership concepts and practice provides readers with a clear concise overview of the complexities of practicing leadership and concrete strategies for becoming better leaders

introduction to leadership concepts and practice 5th edition - Jul 18 2022

introduction to leadership concepts and practice 5th edition author s peter g northouse publisher sage publications inc format reflowable what s this print isbn 9781544351599 1544351593 etext isbn 9781544351629 1544351623 edition 5th copyright 2021 42 00 usd 9781544351629r90 rent or buy etextbook 90 days 42 00 120 days

ricambi motori decespugliatori kawasaki archivi duedi store - Feb 25 2022

ricambi decespugliatori kawasaki scifostore - Jan 27 2022

ricambi kawasaki tj53 scifostore - Apr 29 2022

web ricambi decespugliatori ricambi decespugliatori alpina castor ricambi decespugliatori blue bird ricambi decespugliatori efco ricambi decespugliatori kawasaki ricambi

decespugliatore kawasaki ricambi manomano it - Apr 10 2023

web 25 464 08 consegna gratuita 8 11 set piccola azienda decespugliatore c zaino 53 2cc kawasaki 1 trasmissione mader garden tools 69309 610 98 consegna

vendita online ricambi per decespugliatore kawasaki tg25 - Nov 24 2021

vendita online ricambi tagliaerba e motori kawasaki atm - Dec 26 2021

ricambi e accessori carburatori kawasaki per decespugliatori - Mar 09 2023

web trova una vasta selezione di kawasaki tg 33a ricambi per decespugliatori a prezzi vantaggiosi su ebay scegli la consegna gratis per ripararmi di più subito a casa e in

ricambi decespugliatori kawasaki - Jun 12 2023

web trova una vasta selezione di ricambi e accessori carburatori kawasaki per decespugliatori a prezzi vantaggiosi su ebay scegli la consegna gratis per riparare

[kawasaki ricambi giardinaggio](#) - May 31 2022

web ricambi kawasaki kt12 ricambi kawasaki kt17 ricambi kawasaki kt18 ricambi kawasaki kt30 ricambi kawasaki td18 ricambi kawasaki td24 ricambi

ricambi per decespugliatori kawasaki sermac - Aug 14 2023

web cerchi ricambi per decespugliatori kawasaki visita il nostro shop online trova i ricambi che cerchi e ricevi tutto a casa in pochi giorni

[ricambi kawasaki per decespugliatore top 35](#) - Oct 04 2022

web frizione decespugliatore kawasaki tg18 tg18 tg25 aggiungi al carrello quick view frizione tagliasiepi kawasaki tg18 tg20 59 33 in stock frizione tagliasiepi

amazon it decespugliatore kawasaki - Jan 07 2023

web carburatore decespugliatore kawasaki 259 risultati trovati ordina per carburatore decespugliatore kawasaki tg 33 decespugliatore kawasaki td40 motore

[ricambi decespugliatore kawasaki prezzi e offerte usato subito it](#) - Aug 02 2022

web 14 84 aggiungi al carrello esaurito guarnizioni ricambi decespugliatori ricambi decespugliatori kawasaki guarnizione marmitta decespugliatore

[kawasaki tg 33a ricambi per decespugliatori ebay](#) - Dec 06 2022

web accessori per decespugliatori kawasaki asta per decespugliatore kawasaki coppia conica decespugliatore kawasaki frizione decespugliatore kawasaki motore

decespugliatori kawasaki engine offerte agrieuro - Feb 08 2023

web ricambi originali decespugliatore kawasaki ecco la nostra gamma al miglior prezzo aggiornata a mercoledì esplora sabato prodotti troverai una vasta scelta di marchi e

ricambi kawasaki th34 scifostore - Jul 01 2022

web ricambi motori decespugliatori kawasaki archivi duedi store vendita di macchine e attrezzature per il giardinaggio agricoltura ed il tempo libero home macchine ed

serie guarnizioni decespugliatore kawasaki tg33 atm ricambi - Mar 29 2022

web casa shop kawasaki tg25 ricambi per decespugliatore kawasaki tg25 ordina per mostra avviamento ricambi decespugliatori ricambi

ricambi e accessori kawasaki per decespugliatori ebay - Jul 13 2023

web in stock decespugliatore kawasaki ricambi al miglior prezzo ampia scelta e consegna rapida in tutta italia pagamento sicuro

ricambi originali decespugliatore kawasaki leroy merlin - Nov 05 2022

web ricambio originale per decespugliatori kawasaki prodotto di alta qualità forgiato in acciaio è compatibile con i modelli kawasaki th34 kbl34 th43 kbl43 th48

amazon it ricambi decespugliatore kawasaki - May 11 2023

web approfitta delle offerte su 35 decespugliatori kawasaki engine al miglior prezzo del web scopri il catalogo 2023 agrieuro di decespugliatori kawasaki engine costantemente

carburatore decespugliatore kawasaki manomano it - Sep 03 2022

web acquista online carburatore decespugliatore kawasaki ricambio compatibile per decespugliatore kawasaki tj53 il carburatore kawasaki serve a preparare la miscela

john molson school of business montreal canada - Mar 28 2023

web desc 200 fundamentals of information technology credits 3 0 department ds and mis program undergraduate this course covers topics in information and communications technologies including software hardware the internet and office productivity applications students learn about the technologies and their use as well as acquire hands

desc 200 concordia midterm review pqr uiaf gov co - Feb 24 2023

web desc 200 concordia midterm review is comprehensible in our digital library an online entrance to it is set as public consequently you can download it instantly our digital library saves in merged countries allowing you to get the most less latency time to download any of our books like this one merely said the desc 200 concordia midterm

admi 202 perspective on canadian business section ec summer - Aug 21 2022

web course description this course is designed to be an overview of how businesses function in general to also review some specific business parameters within the canadian environment and to examine the relationships between the firm management and its owners shareholders employees customers suppliers governments and the community

desc 200 concordia midterm review - Mar 16 2022

web 2 desc 200 concordia midterm review 2023 04 18 desc 200 concordia midterm review downloaded from protease odontocompany com by guest kiera reagan applied mechanics reviews oup oxford for well over a half century american universities and colleges has been the most comprehensive and highly respected directory of four year

desc 200 concordia midterm review - Nov 23 2022

web desc 200 concordia midterm review author whichissed visionaustralia org 2023 09 10 04 20 24 subject desc 200 concordia midterm review keywords desc 200 concordia midterm review created date 9 10 2023 4 20 24 am

desc 200 exam examō - Oct 03 2023

web midterm cheat sheet allowable 1 full double sided page for midterm final 14 april 2018 questions and answers desc 200 exam exam preparation university concordia university students also viewed final trial summer 2018 from online btm 200 fall 2018 chapter 04 test bank it is a very good test bank and it is very useful odd

desc 200 concordia midterm review pdf blueskywildlife com - Jul 20 2022

web sep 4 2023 subsequent to this one merely said the desc 200 concordia midterm review pdf is universally compatible once any devices to read cincinnati magazine 2003 04 cincinnati magazine taps into the dna of the city exploring shopping dining living and culture and giving readers a ringside seat on the issues shaping the region

desc 200 concordia midterm review pdf ai classmonitor - Sep 02 2023

web 2 desc 200 concordia midterm review 2023 04 21 has been the most comprehensive and highly respected directory of four year institutions of higher education in the united states a two volume set that choice magazine hailed as a most important resource in its november 2006 issue this revised

disscomm2022 s2 italy troia p pdf unece - Jun 18 2022

web sep 28 2022 this document is associated with the following event unece expert meeting on dissemination and communication of statistics

desc 200 concordia midterm review files climagic - Apr 16 2022

web 4 desc 200 concordia midterm review 2021 11 15 in a nobel prize winning career the novel tells the story of the rise and fall of the mythical town of macondo through the history of the buendía family it is a rich and brilliant chronicle of life and death and the tragicomedy of humankind in the noble ridiculous beautiful and tawdry

desc desc200 concordia university course hero - Aug 01 2023

web concordia university desc desc200 spring 2013 register now surat keterangan pindah docx 2 pages paud insan mulia docx faria tabassum law 200 midterm docx 13 pages sap hana advance features level 2 quiz attempt review pdf 9 pages giuliani 1 pdf 1 pages 18 png

desc 200 concordia midterm review data northitalia com - Feb 12 2022

web 4 desc 200 concordia midterm review 2022 07 05 clear and relevant reflects the experience of a respected author with nearly four decades of teaching experience concordia theological monthly mcgraw hill professional ulrich s international periodicals directory 1990 91r r bowkerulrich s international periodicals directorylear ning

desc 200 concordia midterm review pdf 2023 - Oct 23 2022

web may 20 2023 merely said the desc 200 concordia midterm review pdf is universally compatible following any devices to read desc 200 concordia midterm review web title desc 200 concordia midterm review author elearning geetamata edu np

2022 08 04 00 05 33 subject desc 200 concordia midterm review keywords

desc 200 concordia midterm review 2022 design shadowera - Dec 25 2022

web desc 200 concordia midterm review downloaded from design shadowera com by guest paloma key research in education frontiers media sa the national center for education statistics has predicted that some 2 4 million new teachers will be needed by 2008 09 because of teacher attrition and retirement and increased student

desc 200 concordia midterm review ai classmonitor - May 18 2022

web desc 200 concordia midterm review downloaded from ai classmonitor com by guest wells lopez technology in action complete greenwood publishing group this collection of papers gives a broad overview of the state of the art in multiple criteria decision making mcdm in both theory and practice topical sections are ranging from preference

desc 200 concordia midterm review book - May 30 2023

web kindly say the desc 200 concordia midterm review is universally compatible with any devices to read 2 lange q a radiography examination 12e d a saia 2020 11 13 the most trusted arrt radiography exam resource with 1 400 practice questions and fully updated content lange q a radiography

desc 200 concordia midterm re pdf ceu social - Jan 26 2023

web desc 200 concordia midterm re desc 200 concordia midterm re 2 downloaded from ceu social on 2023 02 24 by guest writing with a clear attractive and easy to use format the alwd citation manual rivals other citation guides because it is written designed and edited by professionals for use throughout your legal career

desc 200 concordia midterm review iet donnu edu ua - Sep 21 2022

web aug 27 2023 title desc 200 concordia midterm review author iet donnu edu ua 2023 08 27 12 24 49 subject desc 200 concordia midterm review keywords desc 200 concordia midterm review

btm 200 or desc 200 r concordia reddit - Jun 30 2023

web jul 7 2015 beast in the east phd debt and unemployment 8 yr ago yes inte 290 btm 200 and desc 200 are considered to be equivalent 5 more replies

desc 200 concordia midterm review full pdf - Apr 28 2023

web desc 200 concordia midterm review is friendly in our digital library an online right of entry to it is set as public so you can download it instantly our digital library saves in multipart countries allowing you to get the most less latency times to download any of our books once this one merely said the desc 200 concordia midterm review is