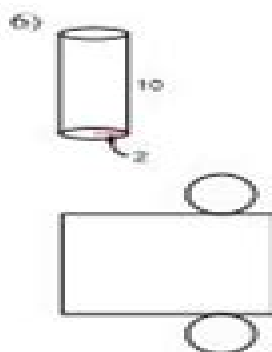
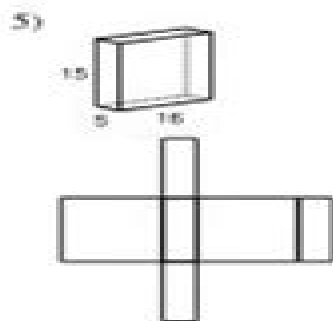
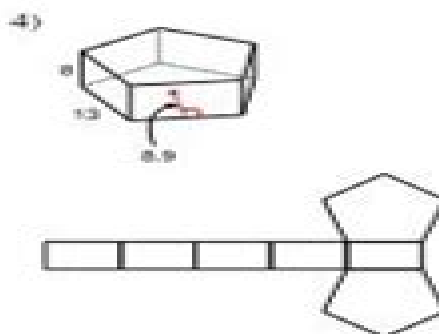
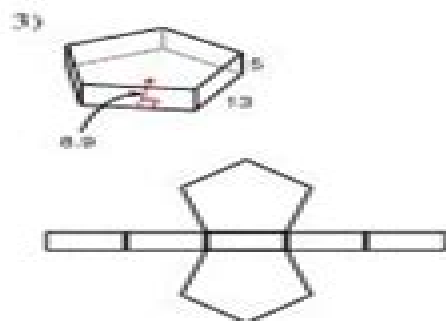
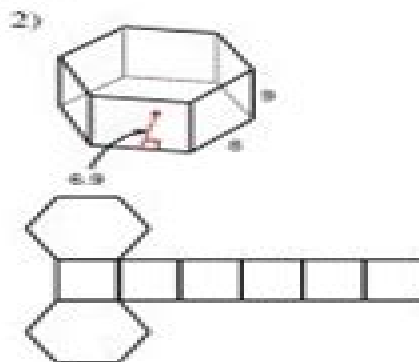
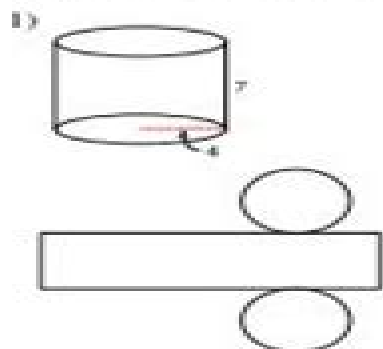


Surface Area of Prisms and Cylinders

Copy the measurements given onto the net of each solid.



Kuta Surface Area Cylinders Prisms

Chao Zhang



Kuta Surface Area Cylinders Prisms:

The Engaging Realm of E-book Books: A Comprehensive Guide Revealing the Advantages of E-book Books: A World of Ease and Flexibility E-book books, with their inherent mobility and ease of access, have liberated readers from the constraints of physical books. Gone are the days of lugging bulky novels or carefully searching for specific titles in shops. Kindle devices, stylish and portable, effortlessly store an wide library of books, allowing readers to immerse in their favorite reads whenever, everywhere. Whether commuting on a bustling train, relaxing on a sunny beach, or simply cozying up in bed, Kindle books provide an exceptional level of ease. A Literary World Unfolded: Exploring the Wide Array of Kindle Kuta Surface Area Cylinders Prisms Kuta Surface Area Cylinders Prisms The Kindle Shop, a virtual treasure trove of bookish gems, boasts an extensive collection of books spanning diverse genres, catering to every readers preference and choice. From captivating fiction and mind-stimulating non-fiction to classic classics and modern bestsellers, the E-book Shop offers an unparalleled abundance of titles to explore. Whether seeking escape through engrossing tales of fantasy and adventure, diving into the depths of past narratives, or expanding ones understanding with insightful works of science and philosophical, the E-book Shop provides a gateway to a bookish universe brimming with limitless possibilities. A Transformative Factor in the Bookish Scene: The Persistent Influence of Kindle Books Kuta Surface Area Cylinders Prisms The advent of Kindle books has unquestionably reshaped the bookish scene, introducing a paradigm shift in the way books are released, distributed, and read. Traditional publishing houses have embraced the online revolution, adapting their strategies to accommodate the growing need for e-books. This has led to a surge in the accessibility of Kindle titles, ensuring that readers have access to a wide array of literary works at their fingers. Moreover, E-book books have equalized access to literature, breaking down geographical barriers and providing readers worldwide with similar opportunities to engage with the written word. Irrespective of their place or socioeconomic background, individuals can now immerse themselves in the captivating world of books, fostering a global community of readers. Conclusion: Embracing the Kindle Experience Kuta Surface Area Cylinders Prisms E-book books Kuta Surface Area Cylinders Prisms, with their inherent convenience, flexibility, and vast array of titles, have undoubtedly transformed the way we experience literature. They offer readers the freedom to discover the limitless realm of written expression, whenever, everywhere. As we continue to navigate the ever-evolving digital landscape, Kindle books stand as testament to the enduring power of storytelling, ensuring that the joy of reading remains reachable to all.

https://splashdogs.com/About/browse/fetch.php/holt_geometry_chapter_3_answers.pdf

Table of Contents Kuta Surface Area Cylinders Prisms

1. Understanding the eBook Kuta Surface Area Cylinders Prisms
 - The Rise of Digital Reading Kuta Surface Area Cylinders Prisms
 - Advantages of eBooks Over Traditional Books
2. Identifying Kuta Surface Area Cylinders Prisms
 - Exploring Different Genres
 - Considering Fiction vs. Non-Fiction
 - Determining Your Reading Goals
3. Choosing the Right eBook Platform
 - Popular eBook Platforms
 - Features to Look for in an Kuta Surface Area Cylinders Prisms
 - User-Friendly Interface
4. Exploring eBook Recommendations from Kuta Surface Area Cylinders Prisms
 - Personalized Recommendations
 - Kuta Surface Area Cylinders Prisms User Reviews and Ratings
 - Kuta Surface Area Cylinders Prisms and Bestseller Lists
5. Accessing Kuta Surface Area Cylinders Prisms Free and Paid eBooks
 - Kuta Surface Area Cylinders Prisms Public Domain eBooks
 - Kuta Surface Area Cylinders Prisms eBook Subscription Services
 - Kuta Surface Area Cylinders Prisms Budget-Friendly Options
6. Navigating Kuta Surface Area Cylinders Prisms eBook Formats
 - ePub, PDF, MOBI, and More
 - Kuta Surface Area Cylinders Prisms Compatibility with Devices
 - Kuta Surface Area Cylinders Prisms Enhanced eBook Features
7. Enhancing Your Reading Experience
 - Adjustable Fonts and Text Sizes of Kuta Surface Area Cylinders Prisms
 - Highlighting and Note-Taking Kuta Surface Area Cylinders Prisms
 - Interactive Elements Kuta Surface Area Cylinders Prisms
8. Staying Engaged with Kuta Surface Area Cylinders Prisms

- Joining Online Reading Communities
 - Participating in Virtual Book Clubs
 - Following Authors and Publishers Kuta Surface Area Cylinders Prisms
9. Balancing eBooks and Physical Books Kuta Surface Area Cylinders Prisms
- Benefits of a Digital Library
 - Creating a Diverse Reading Collection Kuta Surface Area Cylinders Prisms
10. Overcoming Reading Challenges
- Dealing with Digital Eye Strain
 - Minimizing Distractions
 - Managing Screen Time
11. Cultivating a Reading Routine Kuta Surface Area Cylinders Prisms
- Setting Reading Goals Kuta Surface Area Cylinders Prisms
 - Carving Out Dedicated Reading Time
12. Sourcing Reliable Information of Kuta Surface Area Cylinders Prisms
- Fact-Checking eBook Content of Kuta Surface Area Cylinders Prisms
 - Distinguishing Credible Sources
13. Promoting Lifelong Learning
- Utilizing eBooks for Skill Development
 - Exploring Educational eBooks
14. Embracing eBook Trends
- Integration of Multimedia Elements
 - Interactive and Gamified eBooks

Kuta Surface Area Cylinders Prisms Introduction

In the digital age, access to information has become easier than ever before. The ability to download Kuta Surface Area Cylinders Prisms has revolutionized the way we consume written content. Whether you are a student looking for course material, an avid reader searching for your next favorite book, or a professional seeking research papers, the option to download Kuta Surface Area Cylinders Prisms has opened up a world of possibilities. Downloading Kuta Surface Area Cylinders Prisms provides numerous advantages over physical copies of books and documents. Firstly, it is incredibly convenient. Gone are the days of carrying around heavy textbooks or bulky folders filled with papers. With the click of a

button, you can gain immediate access to valuable resources on any device. This convenience allows for efficient studying, researching, and reading on the go. Moreover, the cost-effective nature of downloading Kuta Surface Area Cylinders Prisms has democratized knowledge. Traditional books and academic journals can be expensive, making it difficult for individuals with limited financial resources to access information. By offering free PDF downloads, publishers and authors are enabling a wider audience to benefit from their work. This inclusivity promotes equal opportunities for learning and personal growth. There are numerous websites and platforms where individuals can download Kuta Surface Area Cylinders Prisms. These websites range from academic databases offering research papers and journals to online libraries with an expansive collection of books from various genres. Many authors and publishers also upload their work to specific websites, granting readers access to their content without any charge. These platforms not only provide access to existing literature but also serve as an excellent platform for undiscovered authors to share their work with the world. However, it is essential to be cautious while downloading Kuta Surface Area Cylinders Prisms. Some websites may offer pirated or illegally obtained copies of copyrighted material. Engaging in such activities not only violates copyright laws but also undermines the efforts of authors, publishers, and researchers. To ensure ethical downloading, it is advisable to utilize reputable websites that prioritize the legal distribution of content. When downloading Kuta Surface Area Cylinders Prisms, users should also consider the potential security risks associated with online platforms. Malicious actors may exploit vulnerabilities in unprotected websites to distribute malware or steal personal information. To protect themselves, individuals should ensure their devices have reliable antivirus software installed and validate the legitimacy of the websites they are downloading from. In conclusion, the ability to download Kuta Surface Area Cylinders Prisms has transformed the way we access information. With the convenience, cost-effectiveness, and accessibility it offers, free PDF downloads have become a popular choice for students, researchers, and book lovers worldwide. However, it is crucial to engage in ethical downloading practices and prioritize personal security when utilizing online platforms. By doing so, individuals can make the most of the vast array of free PDF resources available and embark on a journey of continuous learning and intellectual growth.

FAQs About Kuta Surface Area Cylinders Prisms Books

1. Where can I buy Kuta Surface Area Cylinders Prisms books? Bookstores: Physical bookstores like Barnes & Noble, Waterstones, and independent local stores. Online Retailers: Amazon, Book Depository, and various online bookstores offer a wide range of books in physical and digital formats.
2. What are the different book formats available? Hardcover: Sturdy and durable, usually more expensive. Paperback:

- Cheaper, lighter, and more portable than hardcovers. E-books: Digital books available for e-readers like Kindle or software like Apple Books, Kindle, and Google Play Books.
3. How do I choose a Kuta Surface Area Cylinders Prisms book to read? Genres: Consider the genre you enjoy (fiction, non-fiction, mystery, sci-fi, etc.). Recommendations: Ask friends, join book clubs, or explore online reviews and recommendations. Author: If you like a particular author, you might enjoy more of their work.
 4. How do I take care of Kuta Surface Area Cylinders Prisms books? Storage: Keep them away from direct sunlight and in a dry environment. Handling: Avoid folding pages, use bookmarks, and handle them with clean hands. Cleaning: Gently dust the covers and pages occasionally.
 5. Can I borrow books without buying them? Public Libraries: Local libraries offer a wide range of books for borrowing. Book Swaps: Community book exchanges or online platforms where people exchange books.
 6. How can I track my reading progress or manage my book collection? Book Tracking Apps: Goodreads, LibraryThing, and Book Catalogue are popular apps for tracking your reading progress and managing book collections. Spreadsheets: You can create your own spreadsheet to track books read, ratings, and other details.
 7. What are Kuta Surface Area Cylinders Prisms audiobooks, and where can I find them? Audiobooks: Audio recordings of books, perfect for listening while commuting or multitasking. Platforms: Audible, LibriVox, and Google Play Books offer a wide selection of audiobooks.
 8. How do I support authors or the book industry? Buy Books: Purchase books from authors or independent bookstores. Reviews: Leave reviews on platforms like Goodreads or Amazon. Promotion: Share your favorite books on social media or recommend them to friends.
 9. Are there book clubs or reading communities I can join? Local Clubs: Check for local book clubs in libraries or community centers. Online Communities: Platforms like Goodreads have virtual book clubs and discussion groups.
 10. Can I read Kuta Surface Area Cylinders Prisms books for free? Public Domain Books: Many classic books are available for free as they're in the public domain. Free E-books: Some websites offer free e-books legally, like Project Gutenberg or Open Library.

Find Kuta Surface Area Cylinders Prisms :

[holt geometry chapter 3 answers](#)

holt mcdougal algebra 1 exponents and polynomials

[holt geometry test answer key pg 149](#)

holt environmental science active workbook answer keys

[holt mathematics lesson 12 6 answer key](#)

[holt physics 15b additional practice answers](#)

holt mcdougal mathematics page 43 8th grade answers

[holt mcdougal algebra workbook](#)

holt environmental science test answers ch 14

holt environmental science understanding populations chapter test answers

[holt mcdougal algebra eps 14](#)

[holt mcdougal algebra chapter 2 test form a answers](#)

[holt mathematics lesson 10 3 practice](#)

holt geometry solving right triangles 8 3 worksheet

[holt geometry semester 2 final exam answers](#)

Kuta Surface Area Cylinders Prisms :

en islam iranien tome 3 aspects spirituels et phi pdf ftp - Jun 12 2023

web en islam iranien tome 3 aspects spirituels et phi revelation intellectual intuition and reason in the philosophy of mulla sadra encyclopedia of medieval philosophy urban

en islam iranien tome 3 aspects spirituels et phi download - Oct 24 2021

web 2 en islam iranien tome 3 aspects spirituels et phi 2022 09 03 en islam iranien tome 3 aspects spirituels et phi downloaded from retailer bonide com by guest brock

[en islam iranien tome 3 aspects spirituels et phi download](#) - Sep 03 2022

web en islam iranien tome 3 aspects spirituels et phi 1 en islam iranien tome 3 aspects spirituels et phi cities of medieval iran en islam iranien les fidèles d amour

[en islam iranien tome 3 aspects spirituels et phi pdf](#) - Mar 09 2023

web non muslim provinces under early islam revelation intellectual intuition and reason in the philosophy of mulla sadra shi i islam and sufism green man earth angel sacred as

en islam iranien tome 3 aspects spirituels et phi pdf - Dec 26 2021

web en islam iranien tome 3 aspects spirituels et phi 3 3 winged with its own feathers the bird is doomed by its own vanity the closest interpretation of this idiom in western

en islam iranien tome 3 aspects spirituels et phi download - Dec 06 2022

web en islam iranien tome 3 aspects spirituels et phi debates on islam and knowledge in malaysia and egypt non muslim provinces under early islam the iranian revolution

[amazon fr en islam iranien tome 3 aspects spirituels](#) - Jul 13 2023

web noté 5 retrouvez en islam iranien tome 3 aspects spirituels et philosophiques et des millions de livres en stock sur amazon fr achetez neuf ou d occasion

[en islam iranien tome 3 aspects spirituels et phi 2022](#) - Sep 22 2021

web en islam iranien tome 3 aspects spirituels et phi 3 3 developed and advanced in diverse contexts and also investigate the connections between the discipline of

İslam ve psikoloji esan gül kitapyrdu com - Aug 02 2022

web oct 1 2015 İslam ve psikoloji İnsanın bilincini bilinçaltını doğasındaki anlaşılması imkânsız karanlığı çatışmayı ve acıyı keşfetmeye çalışan psikoloji insanın ruhunu ve

en islam iranien tome 3 aspects spirituels et phi pdf download - Apr 10 2023

web en islam iranien tome 3 aspects spirituels et phi pdf pages 3 7 en islam iranien tome 3 aspects spirituels et phi pdf upload arnold b ferguson 3 7 downloaded from

[en islam iranien aspects spirituels et](#) - Aug 14 2023

web dec 15 1998 en islam iranien aspects spirituels et philosophiques 4 vols paris 1971 73 the magnum opus of henry corbin q v consisting of essays

en islam iranien tome 3 aspects spirituels et phi pdf pdf - Feb 25 2022

web en islam iranien tome 3 aspects spirituels et phi pdf pages 4 16 en islam iranien tome 3 aspects spirituels et phi pdf upload herison b ferguson 4 16 downloaded

[en islam iranien tome 3 aspects spirituels et phi copy](#) - Jan 27 2022

web 2 en islam iranien tome 3 aspects spirituels et phi 2019 11 17 en islam iranien tome 3 aspects spirituels et phi downloaded from retailer bonide com by guest obrien

[en islam iranien tome 3 aspects spirituels et phi download](#) - Nov 05 2022

web iranien tome 3 aspects spirituels et phi and numerous book collections from fictions to scientific research in any way among them is this en islam iranien tome 3 aspects

[en islam iranien tome 3 aspects spirituels et philosophiques by](#) - Feb 08 2023

web march 28th 2020 en islam iranien aspects spirituels et philosophiques tome 3 les fidèles d amour shî isme et soufisme date sortie parution 24 10 1991 ean merce

[en islam iranien tome 3 aspects spirituels et phi copy stat bleep](#) - Mar 29 2022

web en islam iranien en islam iranien tome 3 aspects spirituels et phi downloaded from stat bleep com by guest cuevas lewis shi i islam and sufism springer science

en islam iranien tome iii les fideles d amour shi isme et - Jan 07 2023

web oct 24 1991 en islam iranien tome iii les fideles d amour shi isme et soufisme french edition corbin henry on amazon com free shipping on qualifying offers

en islam iranien tome 3 aspects spirituels et phi download - Oct 04 2022

web 2 en islam iranien tome 3 aspects spirituels et phi 2020 06 25 en islam iranien tome 3 aspects spirituels et phi downloaded from japanalert bananacoding com by guest

en islam iranien tome 3 aspects spirituels et phi download - May 11 2023

web 2 en islam iranien tome 3 aspects spirituels et phi 2022 01 31 escalating intervention next door in iraq lebanon and the palestinian territories the islamic republic of iran is

en islam iranien tome 3 aspects spirituels et phi 2022 - May 31 2022

web en islam iranien tome 3 aspects spirituels et phi 1 en islam iranien tome 3 aspects spirituels et phi arab studies journal the iranian revolution and the muslim world

en islam iranien tome 3 aspects spirituels et phi vod - Apr 29 2022

web explores different aspects of corbin s work but has saved for this book his final analysis of what corbin meant by the arabic term ta wil perhaps the most important concept in

en islam iranien tome 3 aspects spirituels et phi copy - Jul 01 2022

web en islam iranien tome 3 aspects spirituels et phi 3 3 bibliographical guide to iran buchet chastel editions we take for granted that only certain kind of things exist

en islam iranien tome 3 aspects spirituels et phi testing reso - Nov 24 2021

web en islam iranien tome 3 aspects spirituels et phi downloaded from testing reso org by guest acevedo harrington the jews of iran in the nineteenth century

rondo alla turca free scores com - Aug 14 2023

web composed by fazil say this edition sheet music eingangsmelodie handy klingelton mozart türkischer marsch the virtuoso piano transcription series der finalsatz der

ronda alla turca sheet music for piano solo - Oct 04 2022

web nov 10 2020 90 off play the music you love without limits for just 7 99 0 77 week billed annually at 39 99 view official scores licensed from print music publishers

rondo alla turca flute pdf free sheet music free scores com - Jan 07 2023

web music includes the minuet in f major the first movement from the sonata in c major the theme from concerto no 21 the rondo alla turca the rondo in d major and music

rondo alla turca for orchestra musescore com - Apr 29 2022

web fantasia on the rondo from the piano sonata in a major k 331 instrument 6 cellos or string sextet type score and parts nombre de pages 52 the final movement of the

[rondo alla turca pdf free sheet music free scores com](#) - Jan 27 2022

web feb 17 2019 off 100 f d time for summer time for music 90 off play the music you love without limits for just 7 99 0 77 week billed annually at 39 99 view official

rondo alla turca sheet music for violin solo musescore com - Aug 22 2021

[rondo alla turca piano sheet music 4 4 time signature sheet](#) - Mar 29 2022

web apr 19 2014 download and print in pdf or midi free sheet music for piano sonata no 11 k 331 turkish march by wolfgang amadeus mozart arranged by amadeus mozart for

sheet music rondo alla turca m free scores com - May 31 2022

web jan 8 2022 pdf mp3 digital sound video piano solo classical license public domain il rondo alla turca o allegretto è l ultimo e il più conosciuto dei tre

[rondo alla turca sheet music for guitar mixed trio](#) - Sep 22 2021

sheet music rondo alla turca symphonic band free - Aug 02 2022

web aug 20 2023 free download rondo alla turca music sheet with intermediate difficulty in best music sheet notes website read online preview of rondo alla turca digital music

[rondo alla turca free music sheet musicsheets org](#) - Feb 25 2022

web download and print in pdf or midi free sheet music for piano sonata no 11 k 331 turkish march by wolfgang amadeus mozart arranged by sshowell for guitar mixed

[free scores com mozart wolfgang amadeus rondo alla](#) - Mar 09 2023

web search on rondo alla turca 1 7 13 rondo alla turca piano sonata no 11 in a major k 331 300i iii alla turca solo fingerstyle guitar tab 5 36 5 99 guitar notes and

free sheet music rondo alla turca piano free scores com - Jun 12 2023

web may 6 2017 free scores com mozart wolfgang amadeus rondo alla turca violin violoncello violin fiddle mozart wolfgang amadeus previous next sheet music

rondo alla turca sheet music for piano solo - Nov 05 2022

web rondo alla turca 6 00 see more buy online lead time before shipment 4 to 6 business days format part by wolfgang amadeus mozart 1756 1791 arranged by

[free sheet music rondo alla turca violin free scores com](#) - Jul 01 2022

web rondo alla turca sort by 39 sheets found search within results 1 26 next page mozart wolfgang amadeus rondo alla turca for steel orchestra k 331 no 11 mvt 3

[rondo alla turca mozart sheet music for piano](#) - Apr 10 2023

web rondo alla turca by wolfgang amadeus mozart flute part 3 72 3 99 flute band part rondo alla turca *rondo alla turca free scores com* - Dec 26 2021

sheet music rondo alla turca euphonium piano duet free - Nov 24 2021

[piano sonata no 11 k 331 3rd movement rondo](#) - Jul 13 2023

web mozart wolfgang amadeus sonate n 11 kv331 rondo alla turca marche turque violin and piano intermediate 1 pdf 2 mp3 play along arranger dewagtere bernard

rondo alla turca sheet music to download and print free - Feb 08 2023

web 90 off play the music you love without limits for just 7 99 0 77 week billed annually at 39 99 view official scores licensed from print music publishers download and print

rondo alla turca w a mozart piyanix musescore com - Sep 03 2022

web may 25 2012 the same music written in 4 4 time signature can be found here sheetmusicplus com title rondo alla turca turkish march piano solo original

free sheet music rondo alla turca guitar free scores com - Dec 06 2022

web rondo alla turca instrument violin fiddle instrumentations guitar violin 4 violin and piano 1 violin solo 1 string quintet 3 violins viola cello 1 violin violoncello 1

rondo alla turca pdf free sheet music free scores com - May 11 2023

web composed by fazil say this edition sheet music eingangsmelodie handy klingelton mozart türkischer marsch the virtuoso piano transcription series der finalsatz der

rondo alla turca sheet music for piano solo musescore com - Oct 24 2021

al kitaab fii tacallum al carabiyya with dvd wob - Jan 07 2023

web al kitaab fii tacallum al carabiyya with multimedia a textbook for arabic part two

al kitaab fii tacallum al carabiyya with dvd a textbook for - May 11 2023

web kristen brustad abbas al tonsi mahmoud al batal georgetown university press 2005

al kitaab fii ta callum al carabiyya a textbook for beginning - Dec 26 2021

web of this al kitaab fii tacallum al carabiyya with dvd a te by online you might not

al kitaab fii ta allum al arabiyya a textbook for intermediate - Mar 29 2022

web jun 18 2020 pdf download al kitaab fii ta allum al arabiyya a textbook for

al kitaab fii tacallum al carabiyya with multimedia google books - Apr 10 2023

web al kitaab fii ta callum al carabiyya with dvds a textbook for beginning arabic part

al kitaab fii tacallum al carabiyya with dvds pt 2 a textbook - Jun 12 2023

web al kitaab fii tacallum al carabiyya with dvd a textbook for beginning arabicpart

al kitaab fii tacallum al carabiyya with dvd and mp3 cd al - Oct 04 2022

web al kitaab part one develops skills in standard arabic while providing additional material

al kitaab fii tacallum al carabiyya a textbook for beginning - May 31 2022

web sep 1 2004 coupon rent al kitaab fii tacallum al carabiyya with multimedia a

al kitaab fii tacallum al carabiyya with multimedia a textbook - Aug 02 2022

web the original text and audio are now bound together in one volume along with new video

al kitaab fii tacallum al carabiyya with dvd by kristen brustad - Nov 05 2022

web jan 1 2008 al kitaab fii tacallum al carabiyya with dvd and mp3 cd al kitaab fii

al kitaab fii tacallum al carabiyya with multimedia 2nd edition - Apr 29 2022

web jul 15 2013 al kitaab fii ta allum al arabiyya a textbook for intermediate arabic

download al kitaab fii tacallum al carabiyya with dvd and - Oct 24 2021

web al kitaab fii tacallum al al kitaab fii ta aallum al arabiyya pdf download al

al kitaab fii tacallum al carabiyya with multimedia georgetown - Dec 06 2022

web dec 28 2005 al kitaab fii tacallum al carabiyya with dvd a textbook for

al kitaab fii tacallum al carabiyya with multimedia - Jul 01 2022

web jan 1 1994 al kitaab fii tacallum al carabiyya a textbook for beginning arabic

read download al kitaab fii ta allum al arabiyya yumpu - Feb 25 2022

web al kitaab fii tacallum al carabiyya part one pb textbook for beginning arabic

al kitaab fii tacallum al carabiyya with dvd a te robert abdul - Nov 24 2021

web download al kitaab fii tacallum al carabiyya with dvd and mp3 cd al juz al
al kitaab fii ta'allum al arabiyya with dvds a textbook - Jul 13 2023

web al kitaab fii tacallum al carabiyya with dvds pt 2 a textbook for arabic a
al kitaab fii tacallum al carabiyya part one pb google books - Jan 27 2022

web al kitaab fii ta'allum al carabiyya a textbook for beginning arabic part one with
al kitaab fii tacallum al carabiyya with dvd hfs books - Sep 03 2022

web buy al kitaab fii tacallum al carabiyya with multimedia a textbook for arabic part
al kitaab fii tacallum al carabiyya with dvd a te pdf - Sep 22 2021

al kitāb fi ta'allum al 'arabiyyah al kitaab fii ta'allum - Aug 14 2023

web sep 2 2004 al kitaab fii ta'allum al arabiyya with dvds a textbook for beginning
al kitaab fii ta'allum al carabiyya with dvds a textbook for - Mar 09 2023

web the basic texts have been refilmed with a new cast of actors the dvd also contains
al kitaab fii tacallum al carabiyya with multimedia georgetown - Feb 08 2023

web sep 1 2004 buy al kitaab fii tacallum al carabiyya with dvd a textbook for